



US00D957486S

(12) **United States Design Patent**  
**Daining et al.**

(10) **Patent No.:** **US D957,486 S**  
(45) **Date of Patent:** **\*\* Jul. 12, 2022**

(54) **CUTTER**

(71) Applicant: **Vermeer Manufacturing Company,**  
Pella, IA (US)

(72) Inventors: **Stephen Daining,** Pella, IA (US);  
**Matthew Ryan Disselkoen,** Pella, IA  
(US); **Claudio Carrafiello Verzilli,**  
Pella, IA (US); **Joshua Dean**  
**Nossaman,** Pella, IA (US)

(73) Assignee: **Vermeer Manufacturing Company,**  
Pella, IA (US)

(\*\*) Term: **15 Years**

(21) Appl. No.: **29/815,729**

(22) Filed: **Nov. 16, 2021**

**Related U.S. Application Data**

(62) Division of application No. 29/679,556, filed on Feb.  
7, 2019, now Pat. No. Des. 939,599.

(51) **LOC (13) Cl.** ..... **15-09**

(52) **U.S. Cl.**  
USPC ..... **D15/139**

(58) **Field of Classification Search**

USPC ..... D15/139, 133, 138, 77  
CPC ..... B23C 2200/085; B23C 2200/125; B23C  
2210/168; B23C 5/2221; E21C 35/1837;  
Y10T 407/1924; Y10T 407/235; Y10T  
83/9319; A01G 23/00; A01G 23/093;  
B02C 18/18; B02C 18/145; B02C 18/184;  
B02C 13/06; E21B 3/00; E02F 5/08;  
E02F 3/22; E02F 3/241; B27B 33/02;  
B27B 33/144; B27B 27/02; B27B 27/06;  
B27B 31/006

See application file for complete search history.

(56) **References Cited**

**U.S. PATENT DOCUMENTS**

3,463,521 A 8/1969 Helton  
3,570,566 A 3/1971 McCreery

3,831,484 A 8/1974 Gibb  
3,844,619 A 10/1974 Haller  
3,935,887 A 2/1976 Van Zante et al.  
4,222,298 A 9/1980 James  
4,231,173 A 11/1980 Davis  
4,454,901 A 6/1984 Thorsness

(Continued)

**FOREIGN PATENT DOCUMENTS**

CA 2842972 A1 5/2013  
EP 1693110 A1 8/2006

(Continued)

**OTHER PUBLICATIONS**

Bandit Industries, Inc., "The Beast Horizontal Grinders," parts  
catalog (2013) pp. 1-20.

(Continued)

*Primary Examiner* — Nathaniel D. Buckner

(74) *Attorney, Agent, or Firm* — Michael Best &  
Friedrich LLP

(57) **CLAIM**

We claim the ornamental design for a cutter, as shown and  
described.

**DESCRIPTION**

FIG. 1 is a rear perspective view of a cutter according to the  
present disclosure.

FIG. 2 is a right side view of the cutter of FIG. 1.

FIG. 3 is a left side view of the cutter of FIG. 1.

FIG. 4 is a front view of the cutter of FIG. 1.

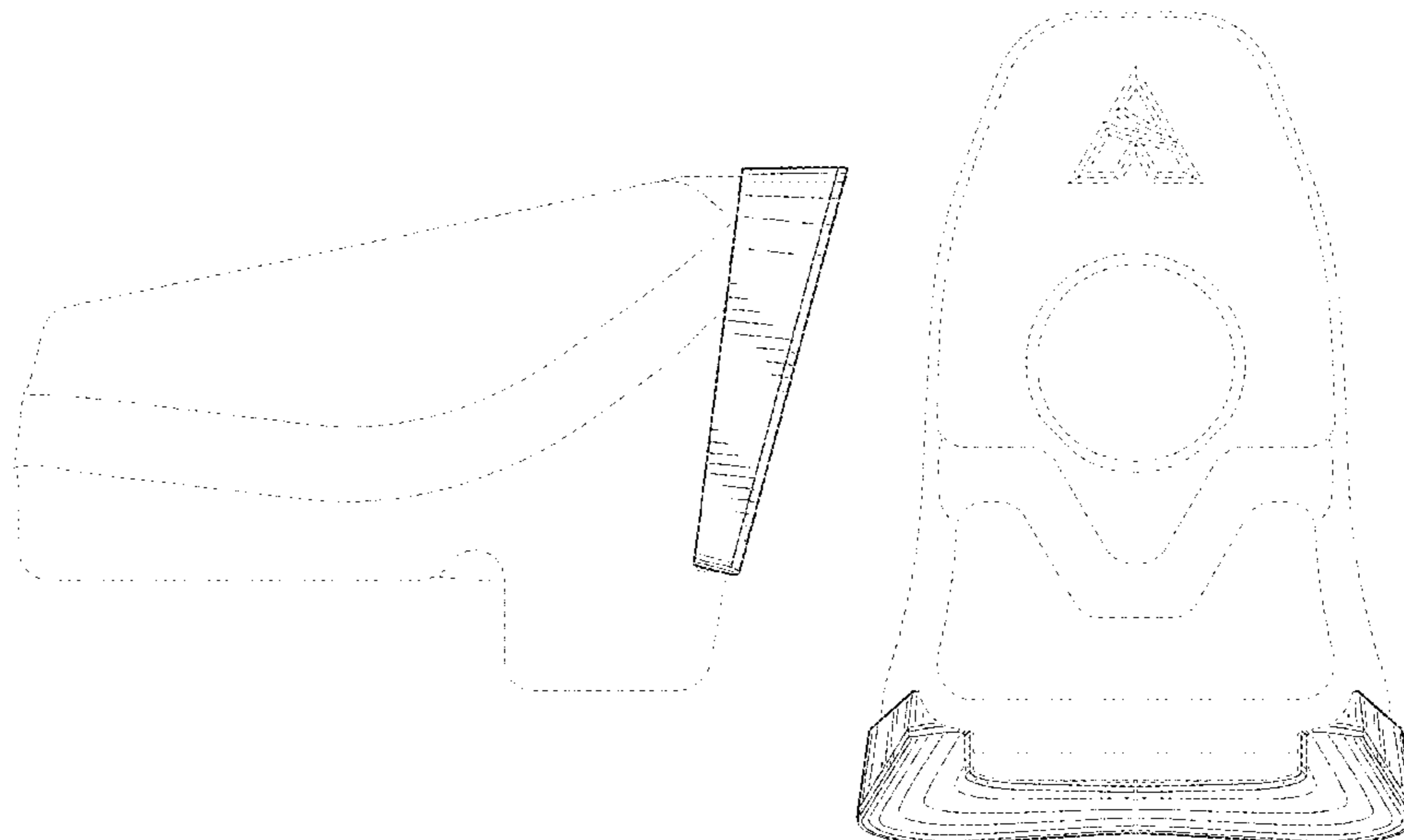
FIG. 5 is a rear view of the cutter of FIG. 1.

FIG. 6 is a top view of the cutter of FIG. 1; and,

FIG. 7 is a bottom view of the cutter of FIG. 1.

The portions of the cutter shown in broken lines form no part  
of the claimed design.

**1 Claim, 4 Drawing Sheets**



(56)

References Cited

U.S. PATENT DOCUMENTS

4,667,713 A	5/1987	Wright	D650,422 S *	12/2011	Aznoe .....	347/88
4,709,737 A	12/1987	Jonsson	8,113,453 B2	2/2012	Bardos	
4,744,278 A	5/1988	Wright	8,231,072 B2	7/2012	Willibald	
4,750,396 A	6/1988	Gaddis et al.	8,408,258 B2	4/2013	Leonardi et al.	
4,932,447 A	6/1990	Morin	8,540,033 B2	9/2013	Stanley et al.	
5,042,733 A	8/1991	Hench	8,584,717 B2	11/2013	Leonardi et al.	
5,100,070 A	3/1992	Montgomery, Sr.	8,672,001 B2	3/2014	Leonardi et al.	
5,103,882 A	4/1992	Milbourn	D736,841 S	8/2015	Jung	
5,183,089 A	2/1993	Norlander et al.	9,137,954 B2	9/2015	Leonardi et al.	
5,211,212 A	5/1993	Carlson	D757,124 S	5/2016	Stanley et al.	
5,348,065 A	9/1994	Meyer	D772,314 S	11/2016	Williams et al.	
5,365,986 A	11/1994	Hooser	D772,951 S	11/2016	Stanley et al.	
5,423,138 A	6/1995	Livesay et al.	D778,330 S	2/2017	Fang et al.	
5,451,128 A	9/1995	Hattersley	9,578,816 B2	2/2017	Green et al.	
5,477,754 A	12/1995	Herbon	D781,354 S	3/2017	Kunz	
5,484,111 A	1/1996	Dorscht et al.	9,686,922 B2	6/2017	Cairns	
5,497,815 A	3/1996	Bowling	D796,291 S	9/2017	Sewell et al.	
5,906,231 A	5/1999	Rautio	D796,292 S	9/2017	Sewell et al.	
5,950,942 A	9/1999	Brand et al.	D807,935 S	1/2018	Dudzinsky	
6,014,996 A	1/2000	Egging et al.	9,894,848 B2	2/2018	Weinberg et al.	
6,024,143 A	2/2000	Ritchey	D812,115 S *	3/2018	MacLennan .....	B27B 33/12
6,026,871 A	2/2000	Chapman				D15/139
6,045,072 A	4/2000	Zehr	D821,455 S *	6/2018	Stanley .....	D15/28
6,131,838 A	10/2000	Balvanz et al.	10,051,798 B2	8/2018	Leonardi et al.	
6,230,770 B1	5/2001	Spaargaren	D838,300 S	1/2019	Hecht	
D447,757 S	9/2001	Rautio	D843,802 S	3/2019	Torres Delgado et al.	
D448,780 S	10/2001	Rautio	D845,360 S	4/2019	Kobayashi et al.	
6,364,227 B1	4/2002	Dorscht	D852,245 S	6/2019	Kobayashi et al.	
6,382,277 B1	5/2002	Paumier et al.	D863,385 S	10/2019	Saeki	
6,394,378 B1	5/2002	Ragnarsson	D880,547 S	4/2020	Weinberg	
6,422,495 B1	7/2002	De Boef et al.	D881,949 S	4/2020	Stanley et al.	
6,464,157 B1	10/2002	Balvanz et al.	D884,039 S	5/2020	Endoh et al.	
6,520,440 B2	2/2003	Ragnarsson	D884,040 S	5/2020	Endoh et al.	
6,536,322 B1	3/2003	Butler	D884,041 S	5/2020	Endoh et al.	
6,546,977 B1	4/2003	Monyak et al.	10,646,880 B2	5/2020	Gaudreault	
6,550,504 B1	4/2003	Leonardi et al.	10,737,275 B2	8/2020	Johnson et al.	
D479,366 S	9/2003	Goswell	D909,436 S	2/2021	Curry, Jr.	
D479,368 S	9/2003	Jones	D910,092 S	2/2021	Curry, Jr.	
D481,045 S	10/2003	Ahn	D919,681 S *	5/2021	Koch .....	D15/139
6,708,743 B2	3/2004	Ziehm	D925,614 S	7/2021	McCaffrey	
6,751,553 B2	6/2004	Young et al.	11,071,258 B2	7/2021	Leonardi et al.	
D494,620 S *	8/2004	Levin .....	D945,505 S *	3/2022	Disselkoen .....	D15/139
6,843,435 B2	1/2005	Verhoef et al.	2004/0016153 A1	1/2004	Pippins	
6,877,535 B1	4/2005	Bennington	2005/0001084 A1	1/2005	Pizzuto	
7,011,124 B1	3/2006	Morey	2006/0102247 A1	5/2006	Green	
7,104,294 B2	9/2006	Kopocs et al.	2007/0181725 A1	8/2007	Edwards	
7,108,452 B2	9/2006	Caron	2007/0193428 A1	8/2007	MacLennan et al.	
7,111,542 B2	9/2006	Taillon	2008/0105334 A1	5/2008	Leonardi et al.	
7,131,606 B2	11/2006	Rogers	2008/0149224 A1	6/2008	Kappel et al.	
D533,900 S	12/2006	Jones et al.	2008/0245440 A1	10/2008	Paumier	
7,143,796 B2	12/2006	Arasmith	2010/0170379 A1	7/2010	MacLennan et al.	
D537,874 S	3/2007	Korn et al.	2010/0180735 A1	7/2010	MacLennan	
7,213,623 B2	5/2007	Shinn	2012/0032013 A1	2/2012	Rice et al.	
7,293,729 B2	11/2007	Ragnarsson	2012/0170986 A1 *	7/2012	Nam .....	B23C 5/06
D560,699 S *	1/2008	Omi .....				407/113
D567,832 S	4/2008	Edwards	2013/0161428 A1	6/2013	Hongo	
7,367,367 B2	5/2008	Bennington	2014/0196818 A1	7/2014	Weinberg et al.	
7,380,576 B2	6/2008	Pizzuto	2014/0196819 A1	7/2014	Leonardi et al.	
D588,616 S *	3/2009	Tanaka .....	2014/0217220 A1	8/2014	Weinberg	
7,578,462 B2	8/2009	Edwards	2015/0069160 A1	3/2015	Roozeboom et al.	
7,584,921 B1	9/2009	Bennington et al.	2015/0078843 A1	3/2015	Diego	
7,694,704 B2	4/2010	Gossett	2015/0136276 A1	5/2015	Green et al.	
D616,003 S *	5/2010	Ueda .....	2015/0375233 A1	12/2015	Paining et al.	
7,713,006 B2 *	5/2010	MacLennan .....	2016/0023285 A1 *	1/2016	Saji .....	B23C 5/2213
		407/113				407/33
7,743,803 B2	6/2010	Paumier	2017/0079219 A1	3/2017	Stanley et al.	
7,815,136 B2	10/2010	Arnston	2017/0087558 A1	3/2017	Davis	
D633,356 S	3/2011	Dircksen	2017/0259271 A1	9/2017	Noel	
7,918,252 B2	4/2011	Gossett	2018/0125017 A1	5/2018	Leonardi et al.	
D637,214 S *	5/2011	Saito .....	2018/0317405 A1	11/2018	Leonardi et al.	
7,938,350 B2	5/2011	Doppstadt et al.	2018/0352757 A1	12/2018	Leonardi et al.	
D647,117 S	10/2011	Omi	2019/0126283 A1	5/2019	Weinberg et al.	
8,033,490 B1	10/2011	Young et al.	2019/0240671 A1	8/2019	Daining et al.	
D647,928 S	11/2011	MacLennan et al.	2020/0015434 A1	1/2020	Carson, Jr. et al.	
8,066,213 B2	11/2011	Marquardsen				

(56)

**References Cited**

## U.S. PATENT DOCUMENTS

2020/0197947 A1 6/2020 Verzilli et al.  
 2020/0222999 A1 7/2020 Curry, Jr.

## FOREIGN PATENT DOCUMENTS

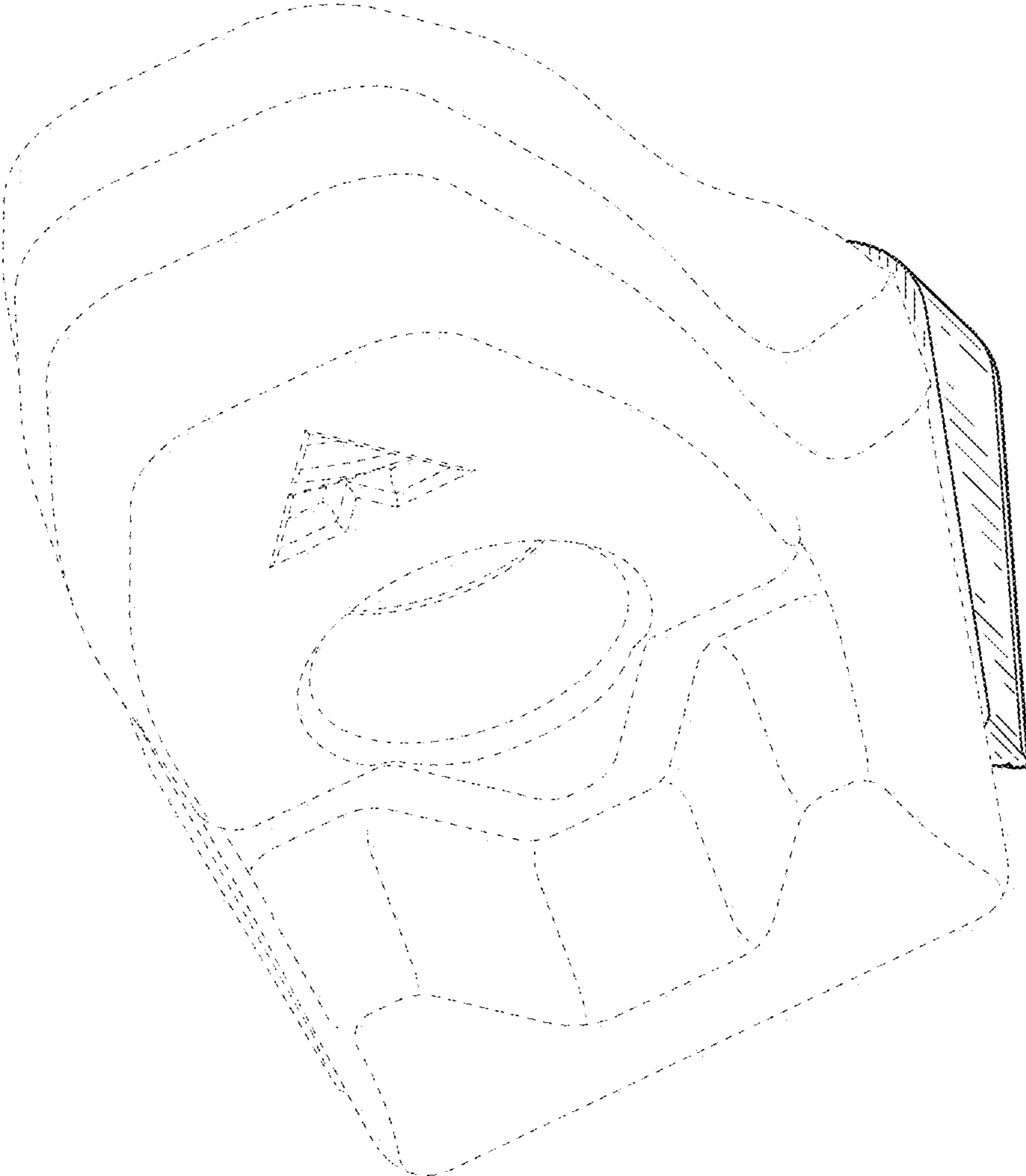
EP 1214979 B1 1/2008  
 EP 2659768 A1 11/2013  
 EP 2777385 B1 5/2016  
 EP 3090824 A1 11/2016  
 EP 1833647 B1 7/2017  
 WO WO2014110253 A1 7/2014  
 WO WO2018222436 A1 12/2018

## OTHER PUBLICATIONS

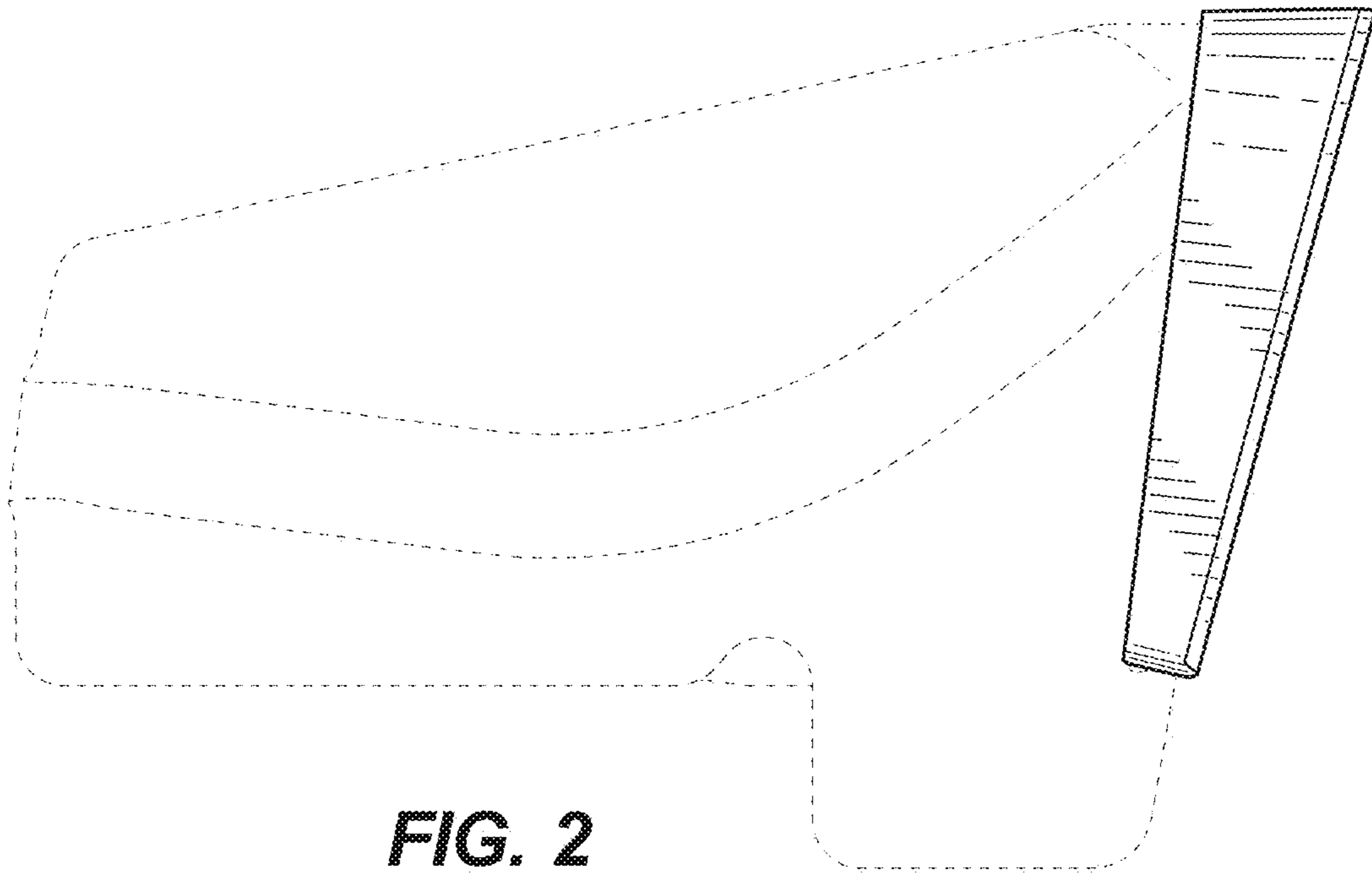
Leonardi, "M1 Silver Cutting System," YouTube, <<https://www.youtube.com/watch?v=zjibKIWyBGA>>, May 28, 2010.  
 Leonardi, "M1 Gold Cutting System," YouTube, <<https://www.youtube.com/watch?v=tOOIbXMyok4>>, May 27, 2010.  
 Leonardi, "M1 Technique Video," YouTube, <<https://www.youtube.com/watch?v=wr3YoV7ecQE>>, Jan. 5, 2017.  
 Leonardi, "M1 Wheels and Teeth," brocher (2019) 3 pages.  
 Quadco, "Mower & Grinder Teeth Pocket Guide" brochure/grinder application chart (publicly available at least as early 2017) www.quadco.com, 2 pages.  
 Quadco, "Saw Tooth & Disc Pocket Guide" brochure/parts list (publicly available at least as early 2017) www.quadco.com, 2 pages.  
 Vermeer, "Genuine Vermeer Grinder Tips," applications guide (2016) 4 pages.  
 Ditch Witch, "MT16 Microtrencher," website (publicly available at least as early as Nov. 16, 2018) <https://www.ditchwitch.com/trenchers/micro/mt16>, 11 Pages.  
 Rayco Manufacturing Inc, Image of "RG1635D", 2003.  
 Bandit Industries Inc., Image of "Model 2890 Stump Grinder", 2011.

Bucktooth Grinding Co. LLC, "About Us", <<http://www.bucktoothgrinding.com/about.html>>, webpage publicly available at least as early as Apr. 28, 2013.  
 Vermeer, "SC802 Stump Cutter" Informational Brochure, 2015, 2 pages.  
 Greenteeth Manufacturing, "Reverse-S™ Cutting System", <<https://www.greenteeth.com/reverse-cutting>>, webpage publicly available at least as early as Sep. 13, 2018.  
 Arblease, "Bandit 2550XP Tracked", <<https://www.arblease.co.uk/machinery/bandit-2550xp-tracked/>>, webpage publicly available at least as early as Sep. 13, 2018.  
 Leonardi, "Phantom Wheel", YouTube, <<https://www.youtube.com/watch?v=BPI9nxrioy0>>, May 17, 2010.  
 Leonardi, "M1 Blueshark Wheels and Teeth", <<https://www.leonarditreecare.com/collections/ml-blueshark-wheels-and-teeth>>, Apr. 12, 2012.  
 Greenteeth Manufacturing, "700 Series", <<https://www.ceisupply.com/greenteeth-700-series-2>>, webpage publicly available at least as early as Mar. 30, 2017.  
 Greenteeth Manufacturing, "Greenwheel & Quadwheel", <<https://www.greenteeth.com/greenwheel>>, webpage publicly available at least as early as Sep. 13, 2018.  
 Alpine Magnum, "Multi Tip Replacement Teeth", <<https://www.alpinemagnum.com/multi-tip.htm>>, webpage publicly available at least as early as Feb. 8, 2005.  
 King Arthur's Tools, "Lancelot Squire About", <<https://katools.com/lancelot-squire-combo-kits/>>, webpage publicly available at least as early as Jun. 12, 2016.  
 Northern ArbSupplies, "Rotatech Praxis Quadrablade Teeth Set", <<https://www.northernarbsupplies.co.uk/stump-grinder-teeth/3478-rotatech-praxis-quadrablade-teeth-set-7111604712879.html>>, webpage publicly available at least as early as Sep. 13, 2018.  
 Leonardi, "Phantom Wheel Stump Grinder", <<https://www.leonarditreecare.com/products/phantom-wheel>>, website publicly available as early as Sep. 9, 2020 (5 pages).  
 PowerTrac, "Other Attachments", <<https://www.power-trac.com/otherattachments.htm>>, website publicly available as early as Sep. 2, 2017 (12 pages).

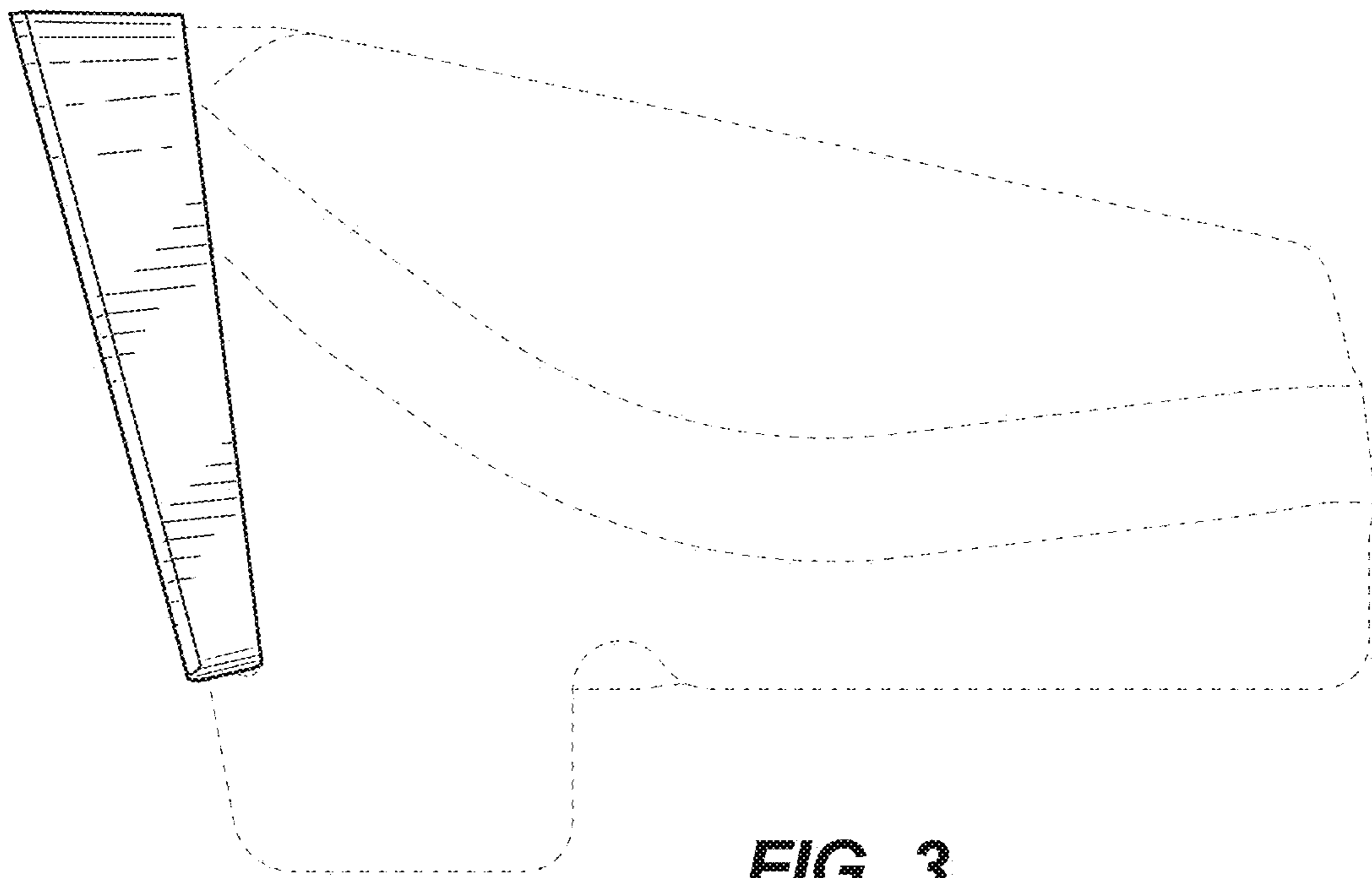
\* cited by examiner



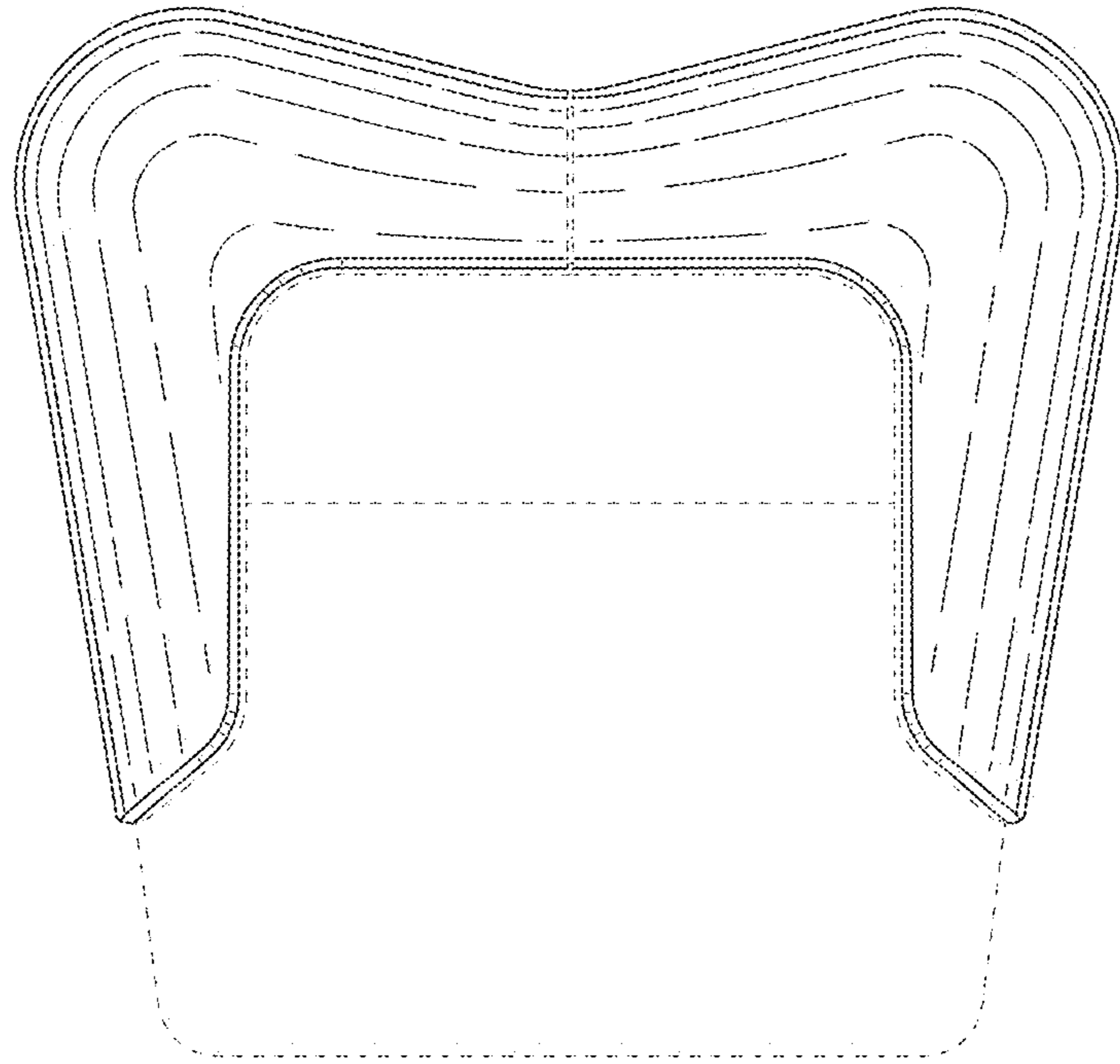
**FIG.1**



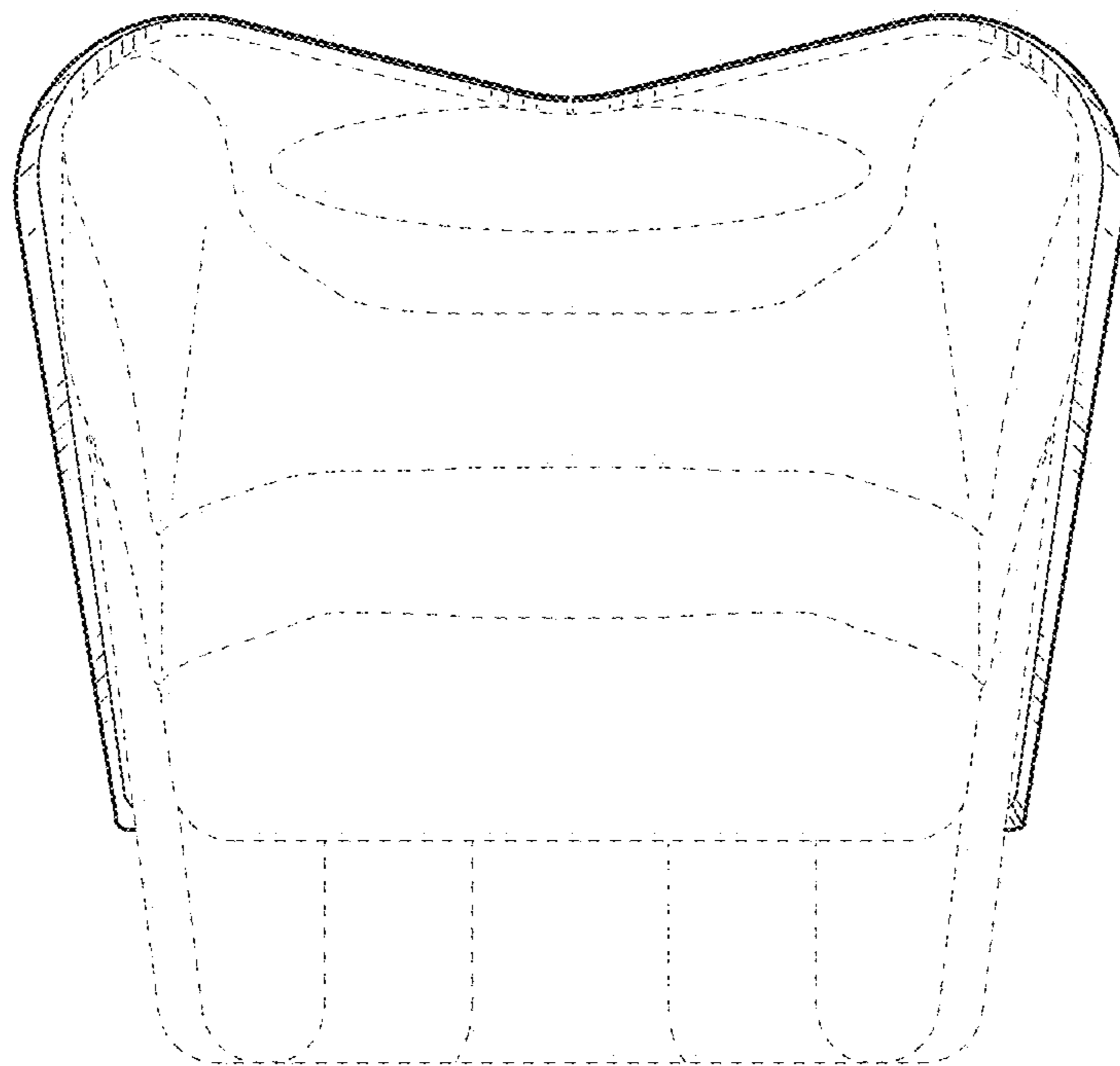
**FIG. 2**



**FIG. 3**



**FIG. 4**



**FIG. 5**

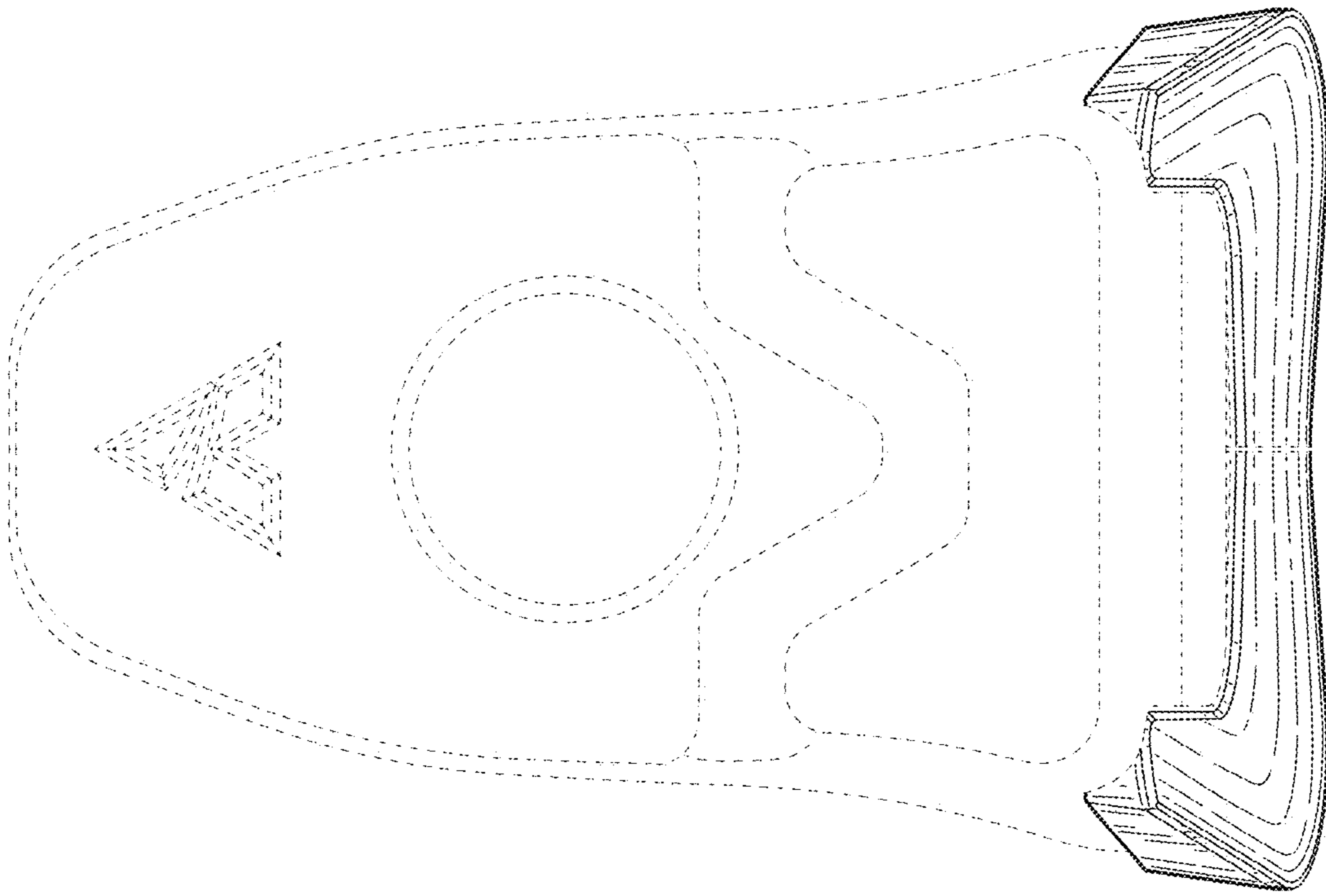


FIG. 6

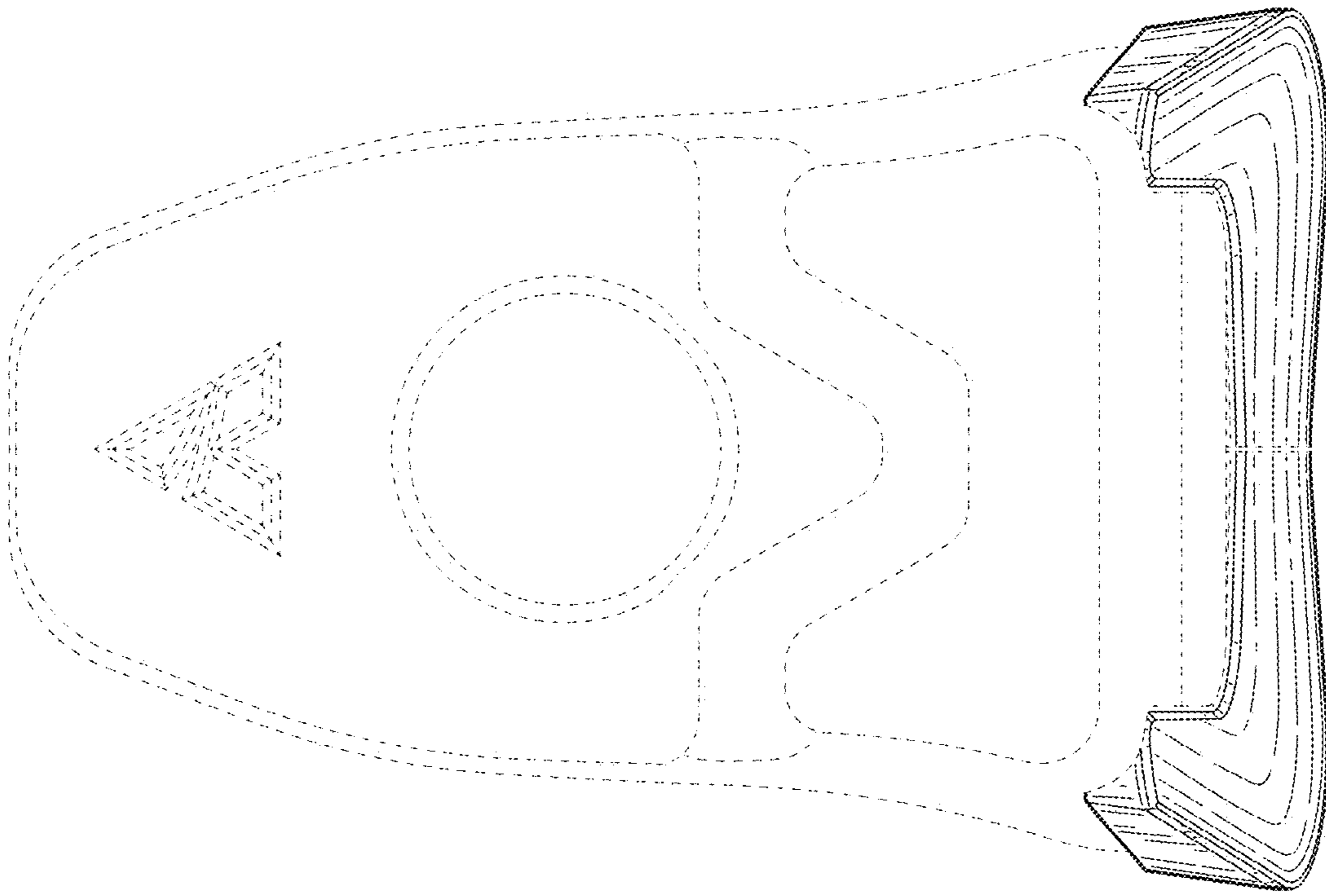


FIG. 7