



US00D957485S

(12) **United States Design Patent**  
**Zeiner**

(10) **Patent No.:** **US D957,485 S**

(45) **Date of Patent:** **\*\* Jul. 12, 2022**

(54) **CUTTING TOOL**  
(71) Applicant: **SUMITOMO ELECTRIC  
HARDMETAL CORP.,** Itami (JP)  
(72) Inventor: **Christoph Zeiner,** Willich (DE)  
(73) Assignee: **SUMITOMO ELECTRIC  
HARDMETAL CORP.,** Itami (JP)  
(\*\*) Term: **15 Years**

(21) Appl. No.: **29/762,416**

(22) Filed: **Dec. 16, 2020**

(30) **Foreign Application Priority Data**

Jun. 25, 2020 (JP) ..... 2020-012813 D  
Jun. 25, 2020 (JP) ..... 2020-012814 D  
Jun. 25, 2020 (JP) ..... 2020-012815 D  
Jun. 25, 2020 (JP) ..... 2020-012816 D

(51) **LOC (13) Cl.** ..... **15-09**

(52) **U.S. Cl.**  
USPC ..... **D15/139**

(58) **Field of Classification Search**  
USPC ..... D8/20, 70; D15/126, 131, 138, 139, 140  
CPC ..... B23B 27/145; B23B 27/1622; B23B  
2200/048; B23B 2200/204; B23B  
2200/085; B23B 2200/0416; B23B  
2200/0423; B23B 2200/0477; B23B  
2200/0494; B23C 5/205; B23C 5/207  
See application file for complete search history.

(56) **References Cited**

**U.S. PATENT DOCUMENTS**

1,746,716 A \* 2/1930 Sasse ..... B23B 51/0486  
408/59  
3,518,737 A \* 7/1970 Hood ..... B23B 27/045  
407/3

4,340,325 A \* 7/1982 Gowanlock ..... B23B 27/045  
407/116  
5,184,925 A \* 2/1993 Woods ..... E21B 10/58  
408/144  
D595,751 S \* 7/2009 Sakata ..... D15/139  
D805,566 S \* 12/2017 Oh ..... D15/139  
D823,089 S \* 7/2018 Shikama ..... D8/70  
D838,755 S \* 1/2019 Takahashi ..... D15/139  
D844,684 S \* 4/2019 Ojanen ..... D15/139  
D900,893 S \* 11/2020 English ..... D15/139  
D922,460 S \* 6/2021 Park ..... D15/139  
D924,950 S \* 7/2021 Wen ..... D15/139  
2003/0077134 A1\* 4/2003 Moser ..... B28D 1/146  
408/231  
2013/0051940 A1\* 2/2013 Hobohm ..... B23C 5/28  
407/53

\* cited by examiner

*Primary Examiner* — Patricia A Palasik

(74) *Attorney, Agent, or Firm* — Faegre Drinker Biddle & Reath LLP

(57) **CLAIM**

The ornamental design for a cutting tool, as shown and described.

**DESCRIPTION**

FIG. 1 is a front view of a cutting tool in accordance with an embodiment of the present design;  
FIG. 2 is a rear view thereof;  
FIG. 3 is a right side view thereof;  
FIG. 4 is a left side view thereof;  
FIG. 5 is a top view thereof;  
FIG. 6 is a bottom view thereof;  
FIG. 7 is a first perspective view thereof;  
FIG. 8 is a second perspective view thereof; and,  
FIG. 9 is a referential view showing the state in use thereof.  
The broken lines shown in the drawings represent portions of the cutting tool that form no part of the claimed design.

**1 Claim, 5 Drawing Sheets**

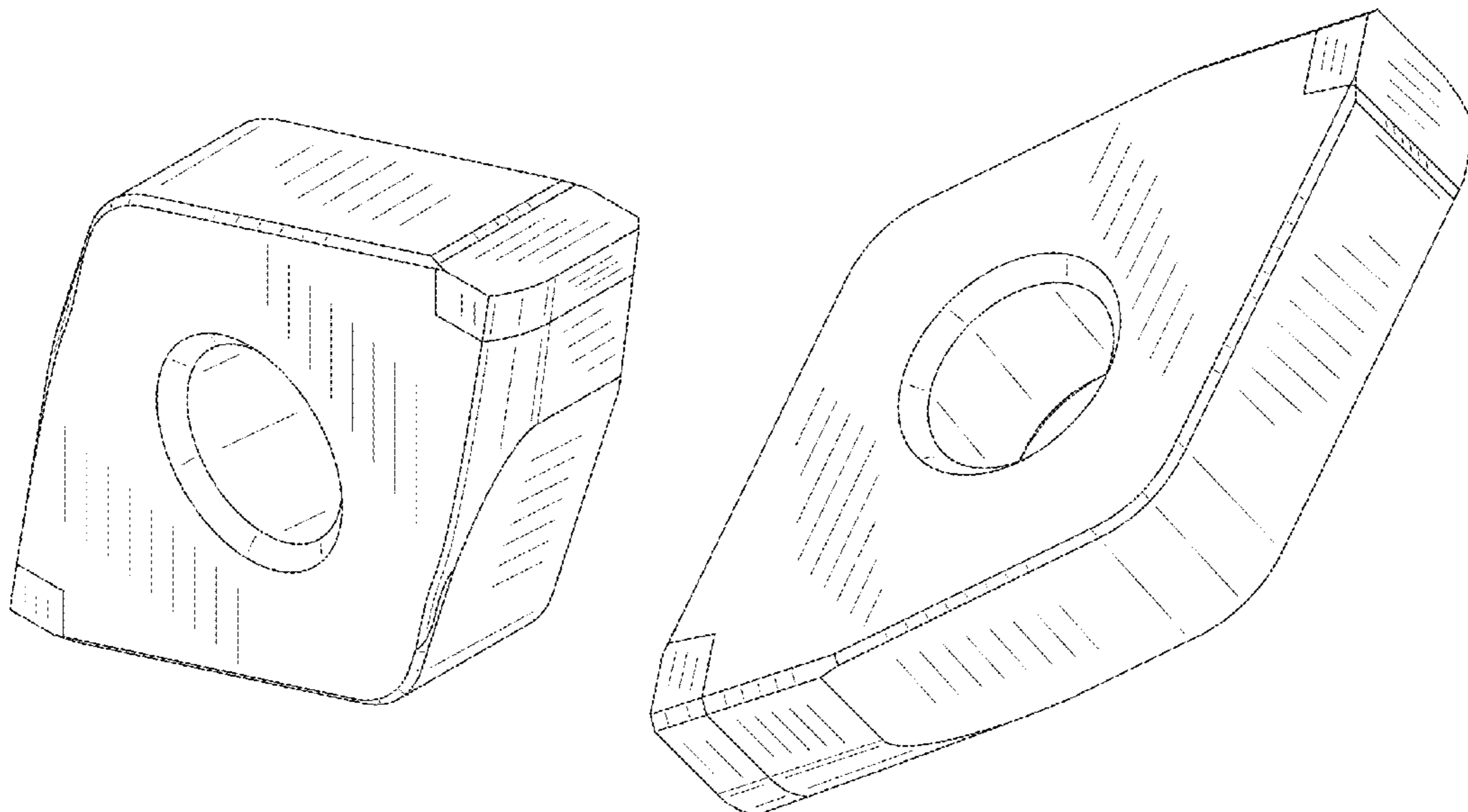


FIG. 1

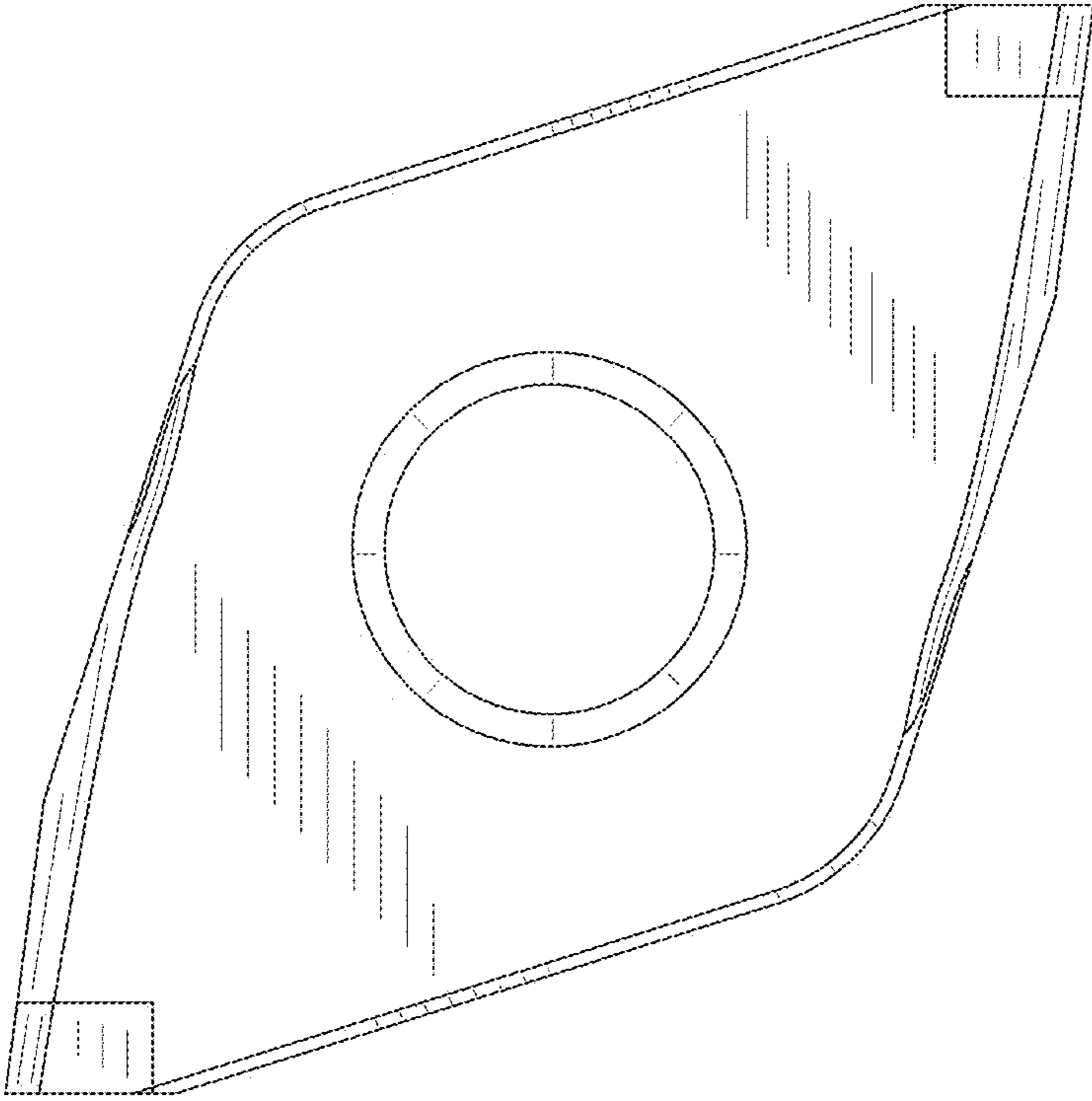


FIG. 2

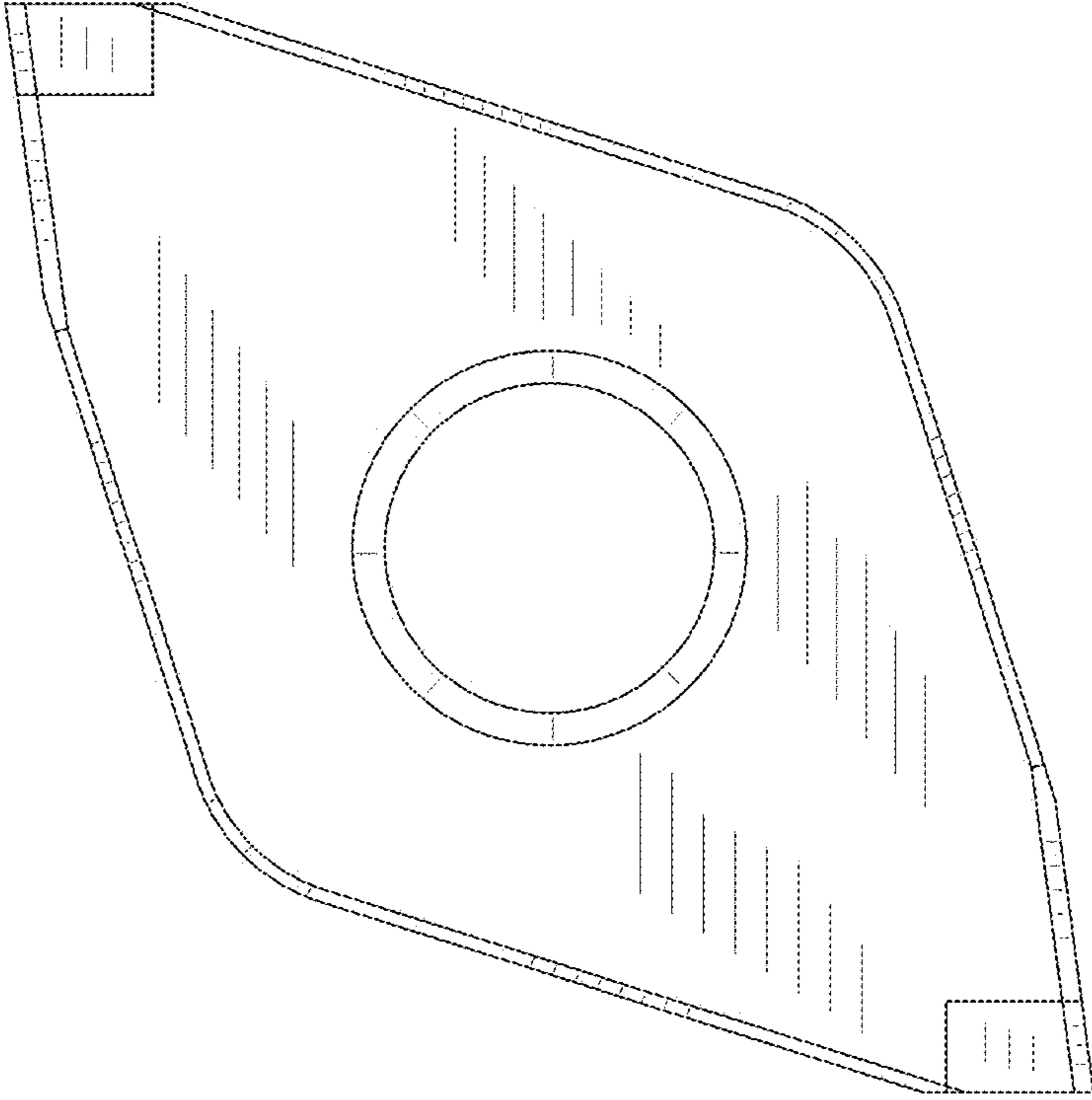


FIG.3

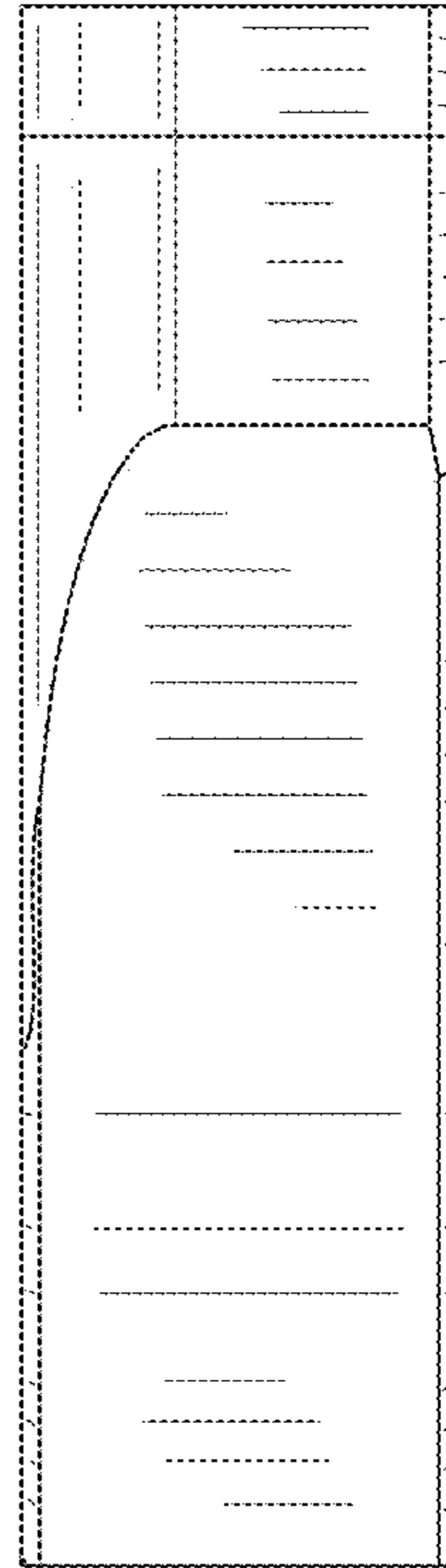


FIG.4

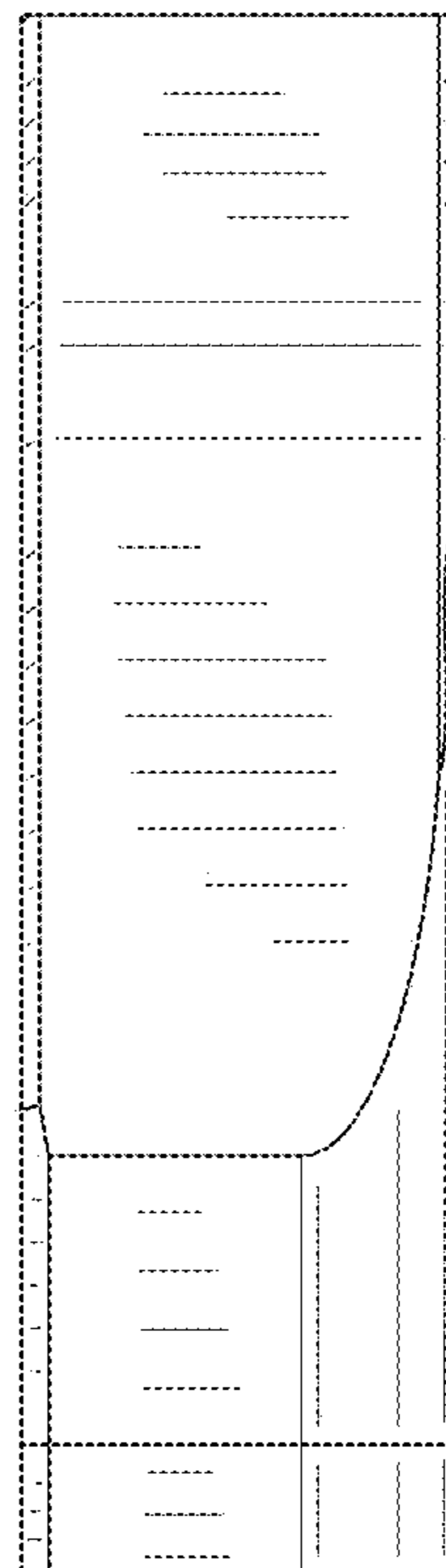


FIG.5

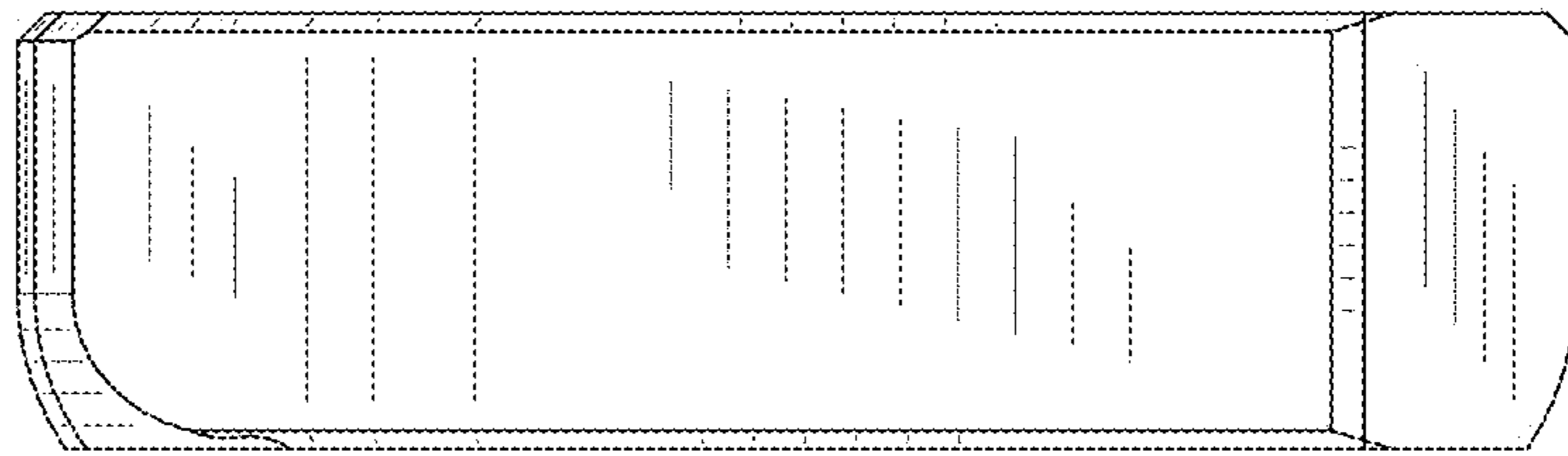


FIG.6

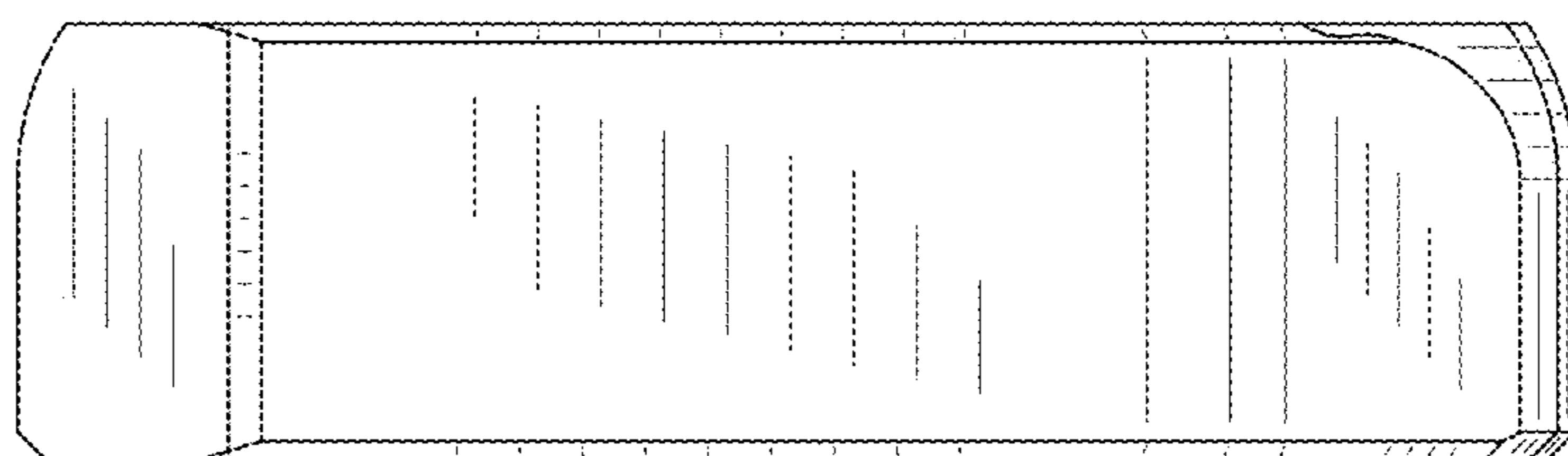


FIG.7

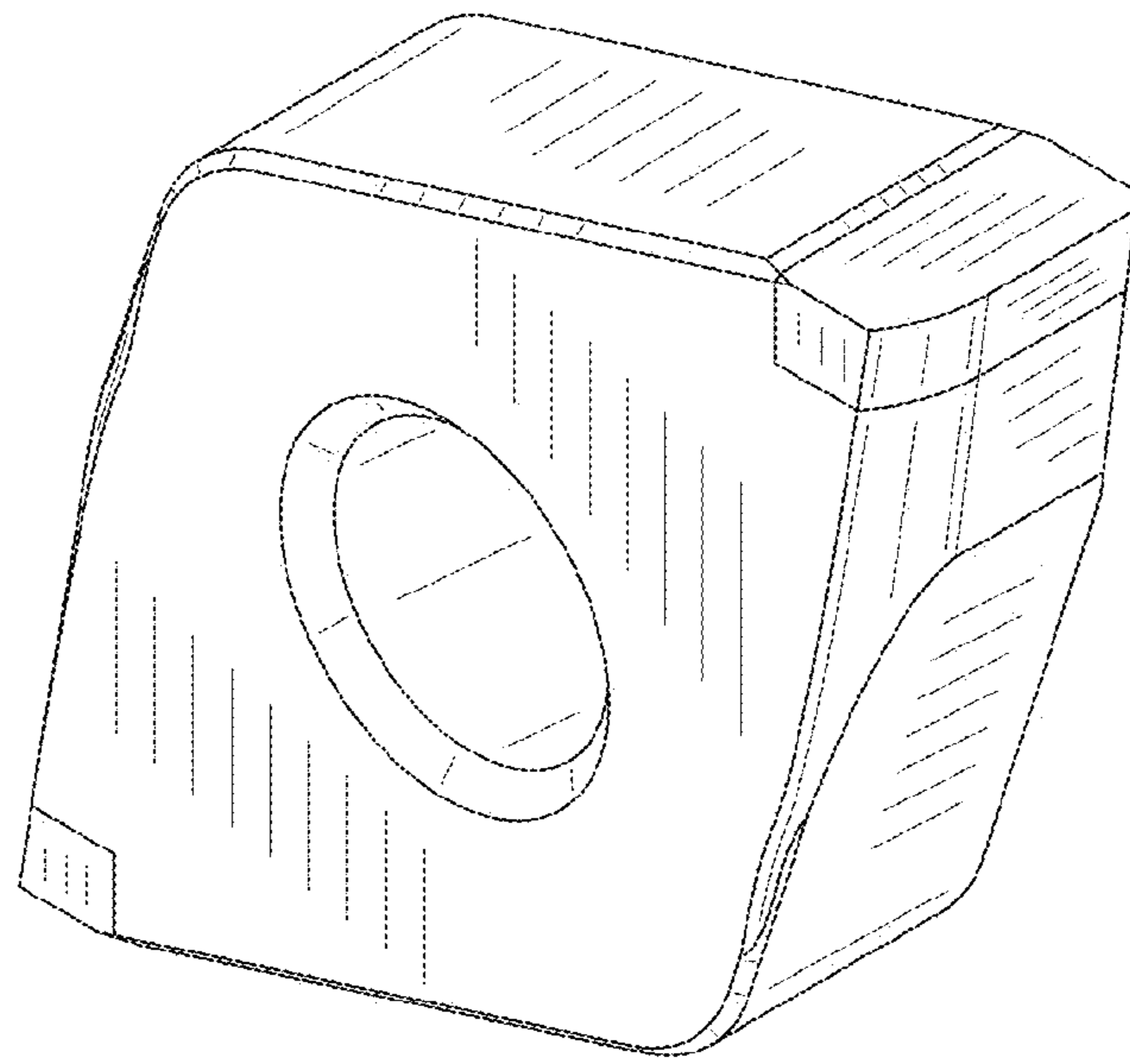


FIG.8

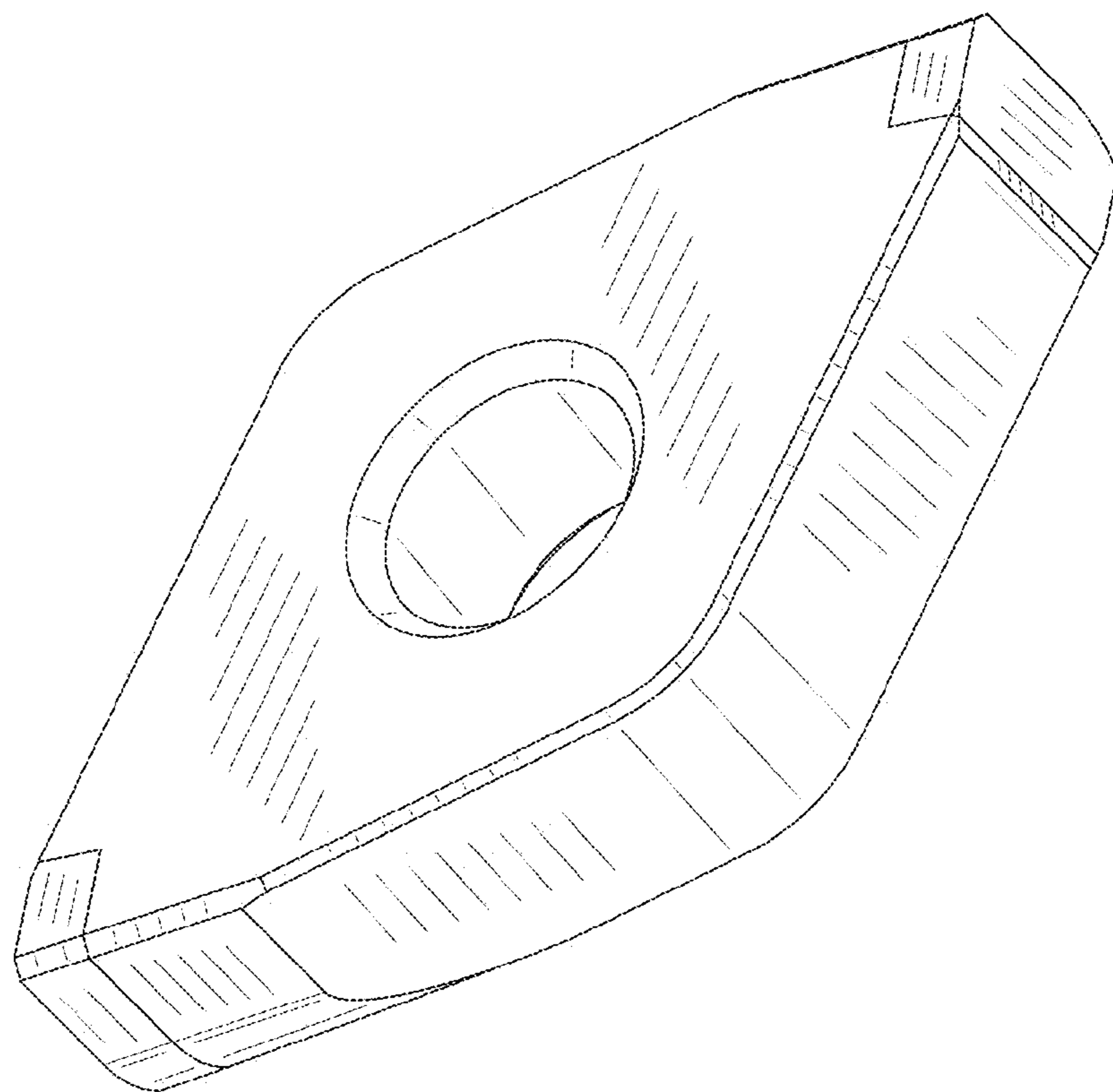


FIG.9

