



US00D957484S

(12) **United States Design Patent**
Nohara

(10) **Patent No.:** **US D957,484 S**
(45) **Date of Patent:** **** Jul. 12, 2022**

(54) **CUTTING TOOL**
(71) Applicant: **SUMITOMO ELECTRIC
HARDMETAL CORP.,** Itami (JP)
(72) Inventor: **Takuya Nohara,** Itami (JP)
(73) Assignee: **SUMITOMO ELECTRIC
HARDMETAL CORP.,** Itami (JP)
(**) Term: **15 Years**

3,264,711 A * 8/1966 Jehring B23B 27/1662
407/104
3,518,737 A * 7/1970 Hood B23B 27/045
407/3
4,086,016 A * 4/1978 Goeke B23B 27/141
407/114
4,318,644 A * 3/1982 Seidel B23B 27/143
407/114
4,318,645 A * 3/1982 McCreery B23B 27/143
407/114
4,340,325 A * 7/1982 Gowanlock B23B 27/045
407/116

(21) Appl. No.: **29/718,005**

(22) Filed: **Dec. 20, 2019**

(30) **Foreign Application Priority Data**

Jun. 27, 2019 (JP) 2019-014434
Jun. 27, 2019 (JP) 2019-014436
Jun. 27, 2019 (JP) 2019-014438
Jun. 27, 2019 (JP) 2019-014439
Jun. 27, 2019 (JP) 2019-014440
Jun. 27, 2019 (JP) 2019-014441
Jun. 27, 2019 (JP) 2019-014442
Jun. 27, 2019 (JP) 2019-014443

(51) **LOC (13) Cl.** **15-09**

(52) **U.S. Cl.**
USPC **D15/139**

(58) **Field of Classification Search**
USPC D8/20, 70; D15/126, 131, 138, 139, 140
CPC B23B 27/145; B23B 27/1622; B23B
2200/048; B23B 2200/204; B23B
2200/085; B23B 2200/0416; B23B
2200/0423; B23B 2200/0477; B23B
2200/0494; B23C 5/205; B23C 5/207
See application file for complete search history.

(56) **References Cited**

U.S. PATENT DOCUMENTS

2,628,821 A * 2/1953 Alexander E21B 10/58
279/86
3,254,392 A * 6/1966 Novkov B23B 27/04
407/113

(Continued)

Primary Examiner — Patricia A Palasik

(74) *Attorney, Agent, or Firm* — Faegre Drinker Biddle & Reath LLP

(57) **CLAIM**

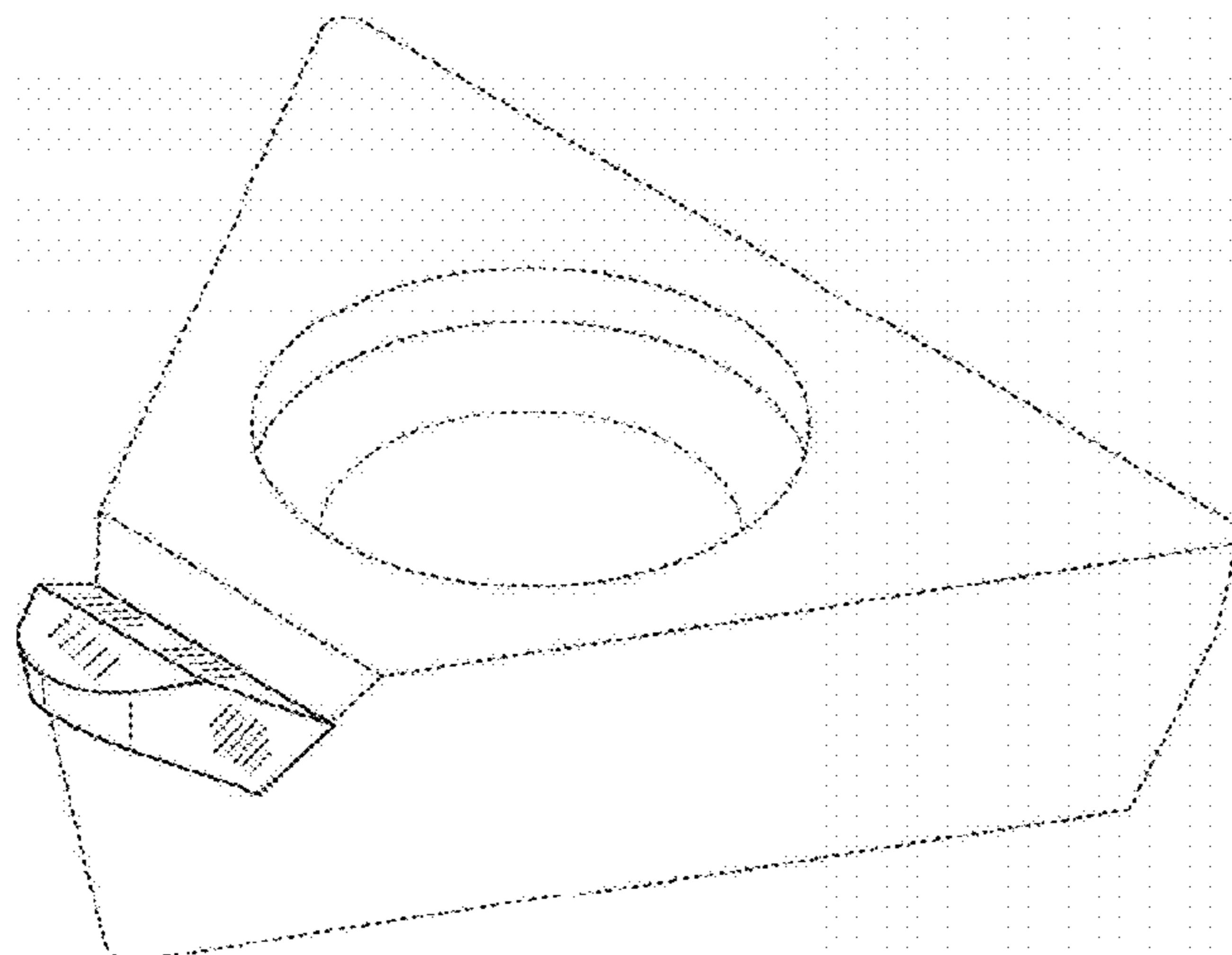
The ornamental design for a cutting tool, as shown and described.

DESCRIPTION

FIG. 1 is a front view of a cutting tool in accordance with an embodiment of the present design;
FIG. 2 is a rear view thereof;
FIG. 3 is a right side view thereof;
FIG. 4 is a left side view thereof;
FIG. 5 is a top view thereof;
FIG. 6 is a bottom view thereof;
FIG. 7 is a first perspective view thereof;
FIG. 8 is a second perspective view thereof;
FIG. 9 is a third perspective view thereof; and,
FIG. 10 is a fourth perspective view thereof.

The broken lines shown in the drawings represent portions of the cutting tool that form no part of the claimed design.

1 Claim, 5 Drawing Sheets



(56)

References Cited

U.S. PATENT DOCUMENTS

5,184,925	A *	2/1993	Woods	E21B 10/58 408/144
D595,751	S *	7/2009	Sakata	D15/139
D647,116	S *	10/2011	Omi	D15/139
D664,168	S *	7/2012	Okamura	D15/139
D772,320	S *	11/2016	McQueen, Jr.	D15/139
D787,578	S *	5/2017	Watanobe	D15/139
D789,430	S *	6/2017	Watanobe	D15/139
D794,102	S *	8/2017	Ryu	D15/139
D805,566	S *	12/2017	Oh	D15/139
D822,078	S *	7/2018	Oh	D15/139
D822,731	S *	7/2018	Yoshida	D15/139
D838,755	S *	1/2019	Takahashi	D15/139
D841,704	S *	2/2019	Maeda	D15/139
D842,909	S *	3/2019	Maeda	D15/139
D843,424	S *	3/2019	Moeschl	D15/139
D850,503	S *	6/2019	Kukino	D15/139
D857,769	S *	8/2019	Maeda	D15/139
D857,770	S *	8/2019	Maeda	D15/139
D857,771	S *	8/2019	Maeda	D15/139
D861,755	S *	10/2019	Maeda	D15/139
D862,540	S *	10/2019	Maeda	D15/139
D862,541	S *	10/2019	Maeda	D15/139
D862,542	S *	10/2019	Maeda	D15/139
D862,543	S *	10/2019	Maeda	D15/139
D909,437	S *	2/2021	Sorai	D15/139
D910,094	S *	2/2021	Zeiner	D15/139
D922,460	S *	6/2021	Park	D15/139
2003/0077134	A1 *	4/2003	Moser	B28D 1/146 408/231

* cited by examiner

FIG. 1

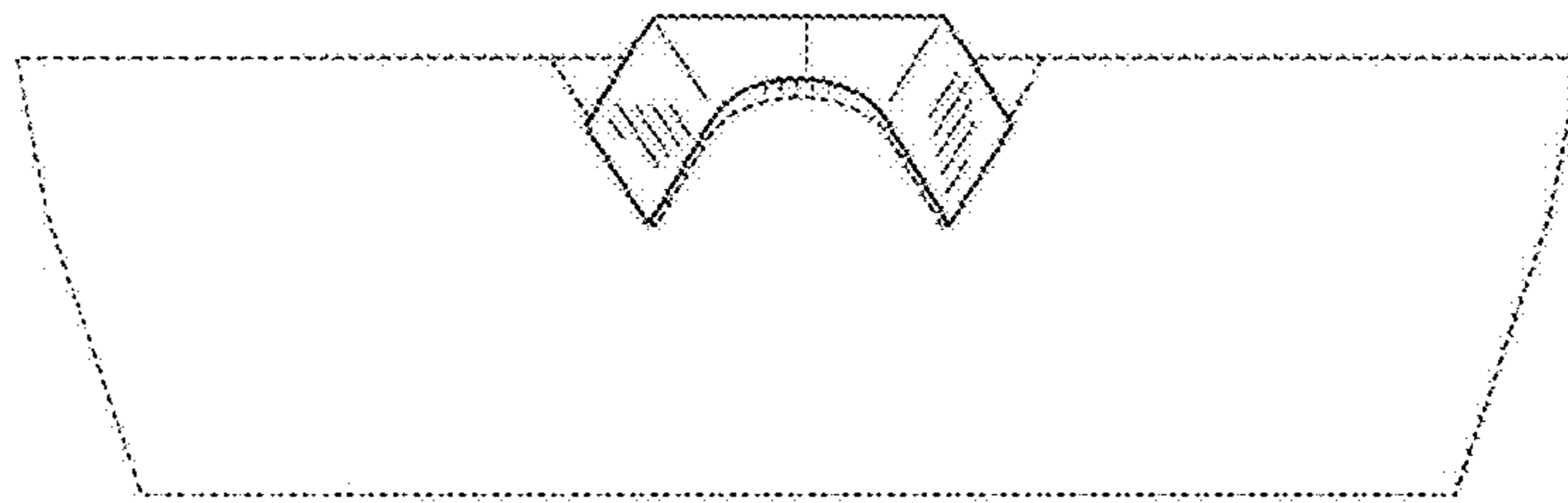


FIG. 2

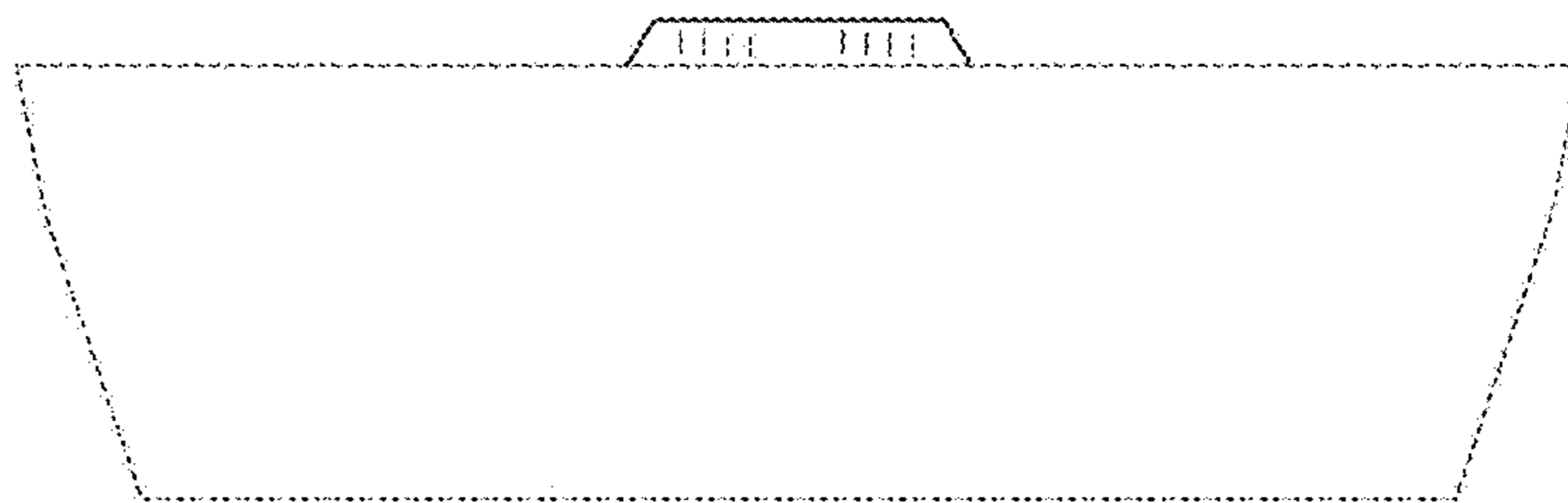


FIG. 3

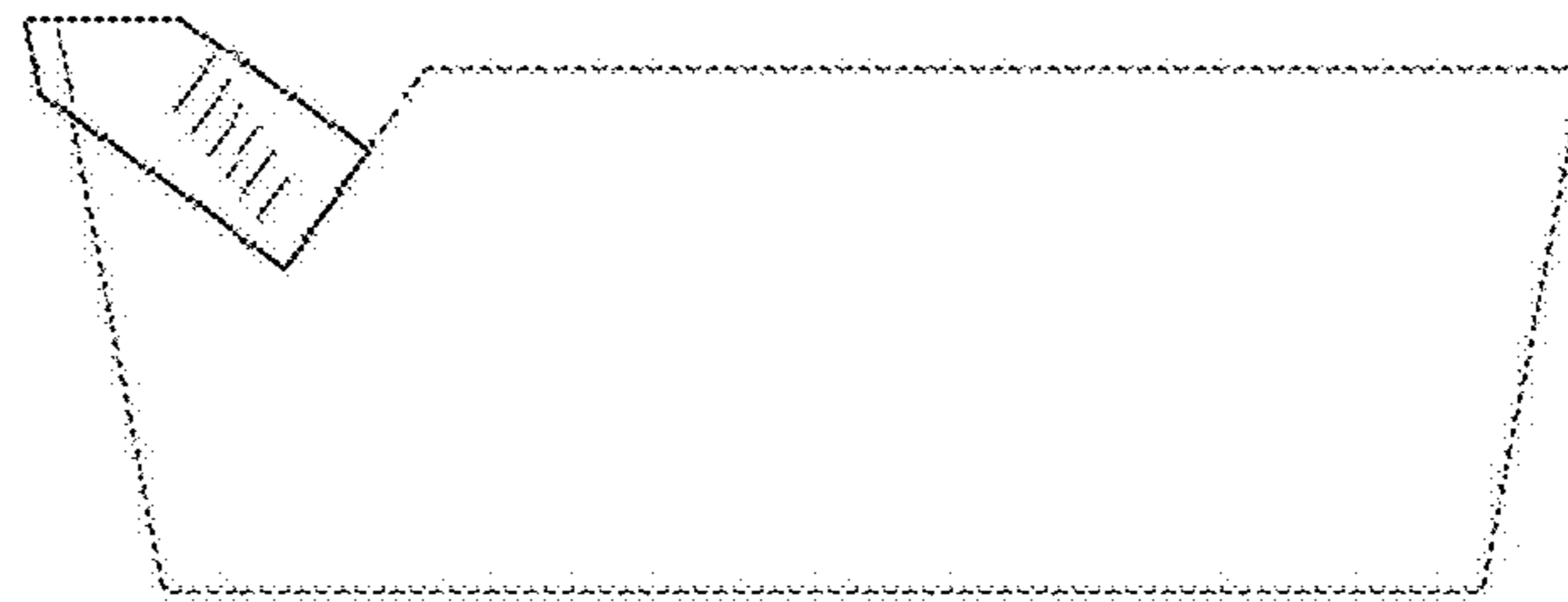


FIG. 4

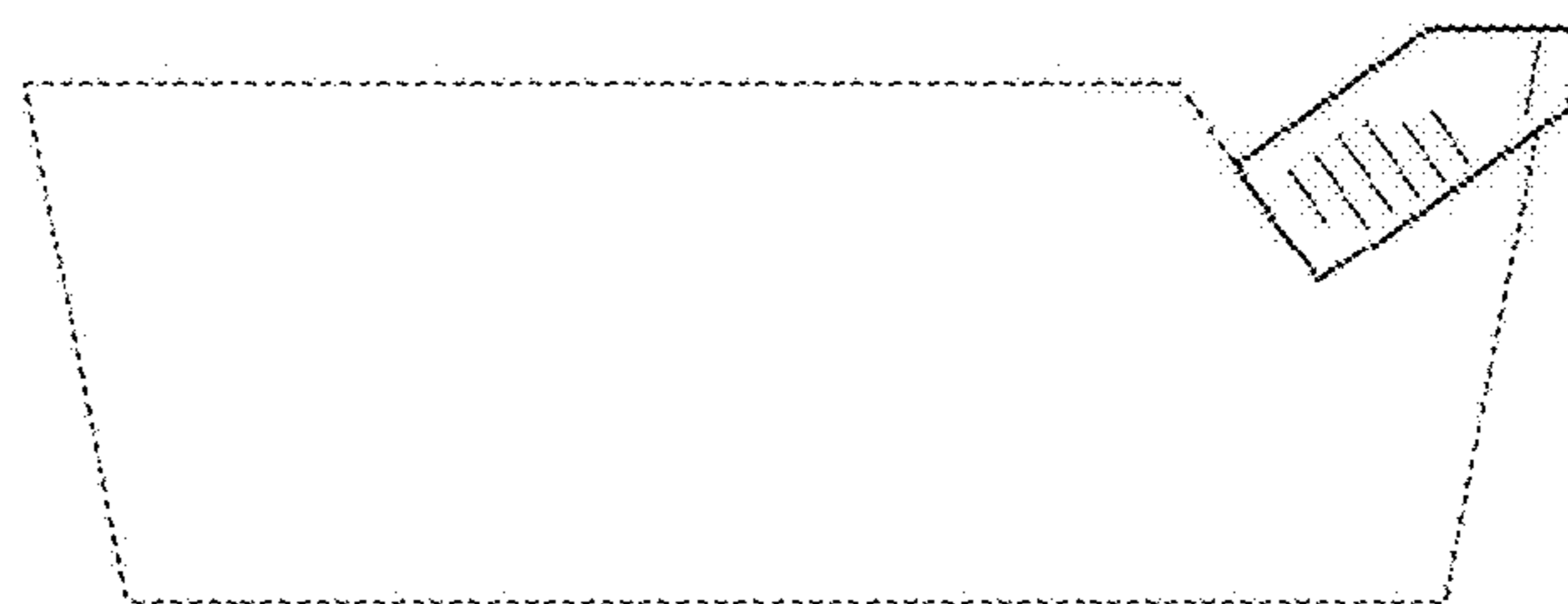


FIG. 5

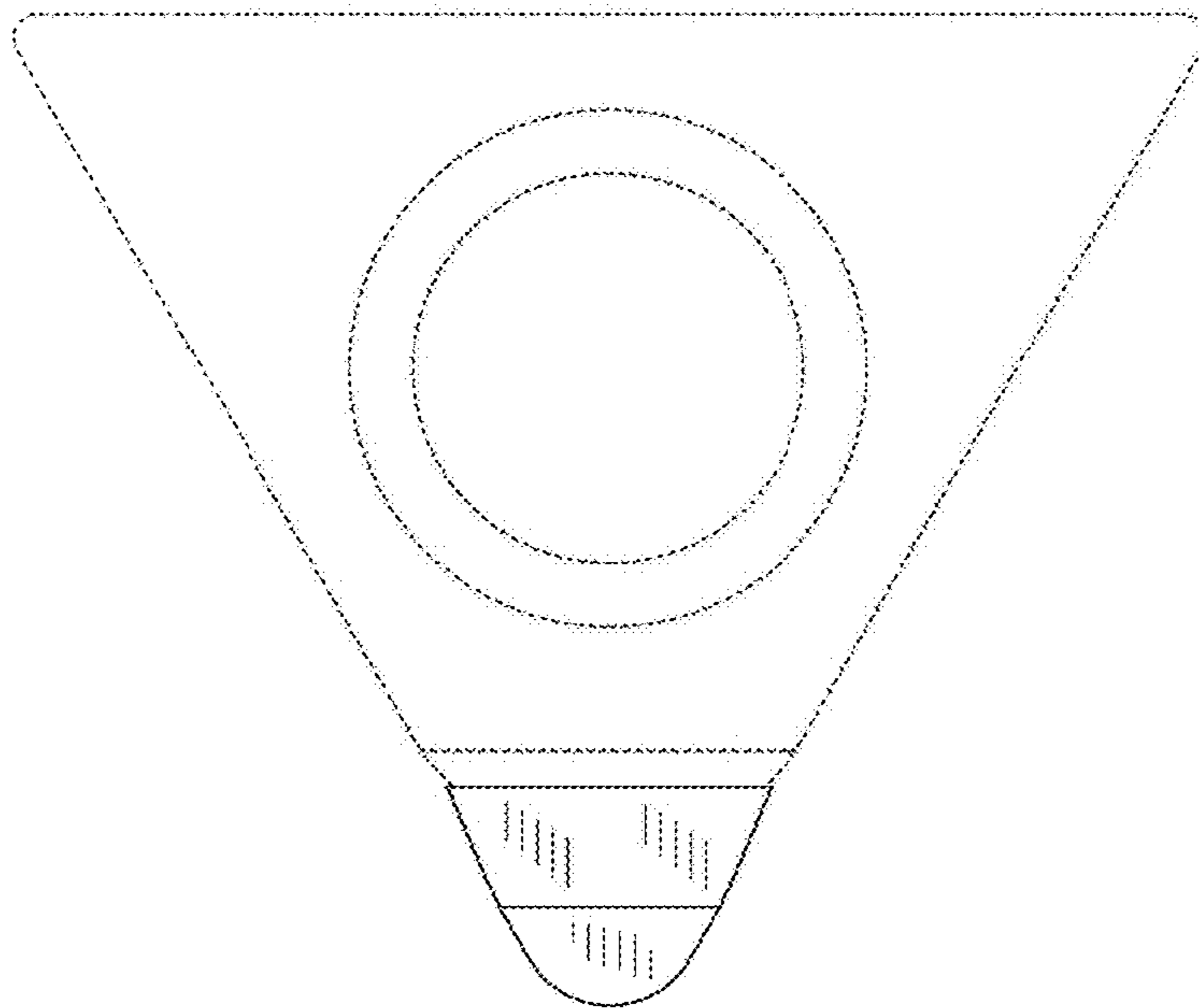


FIG. 6

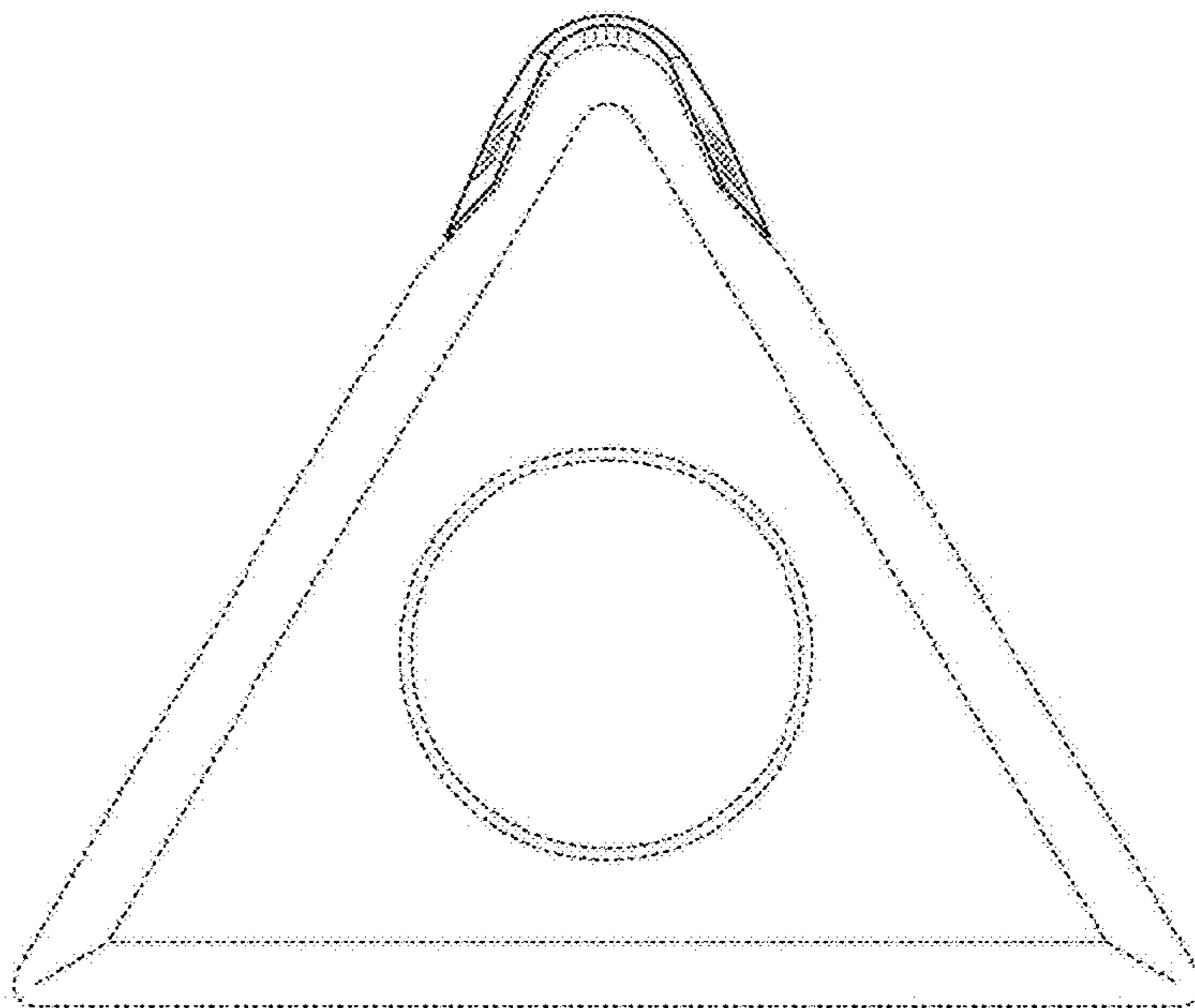


FIG. 7

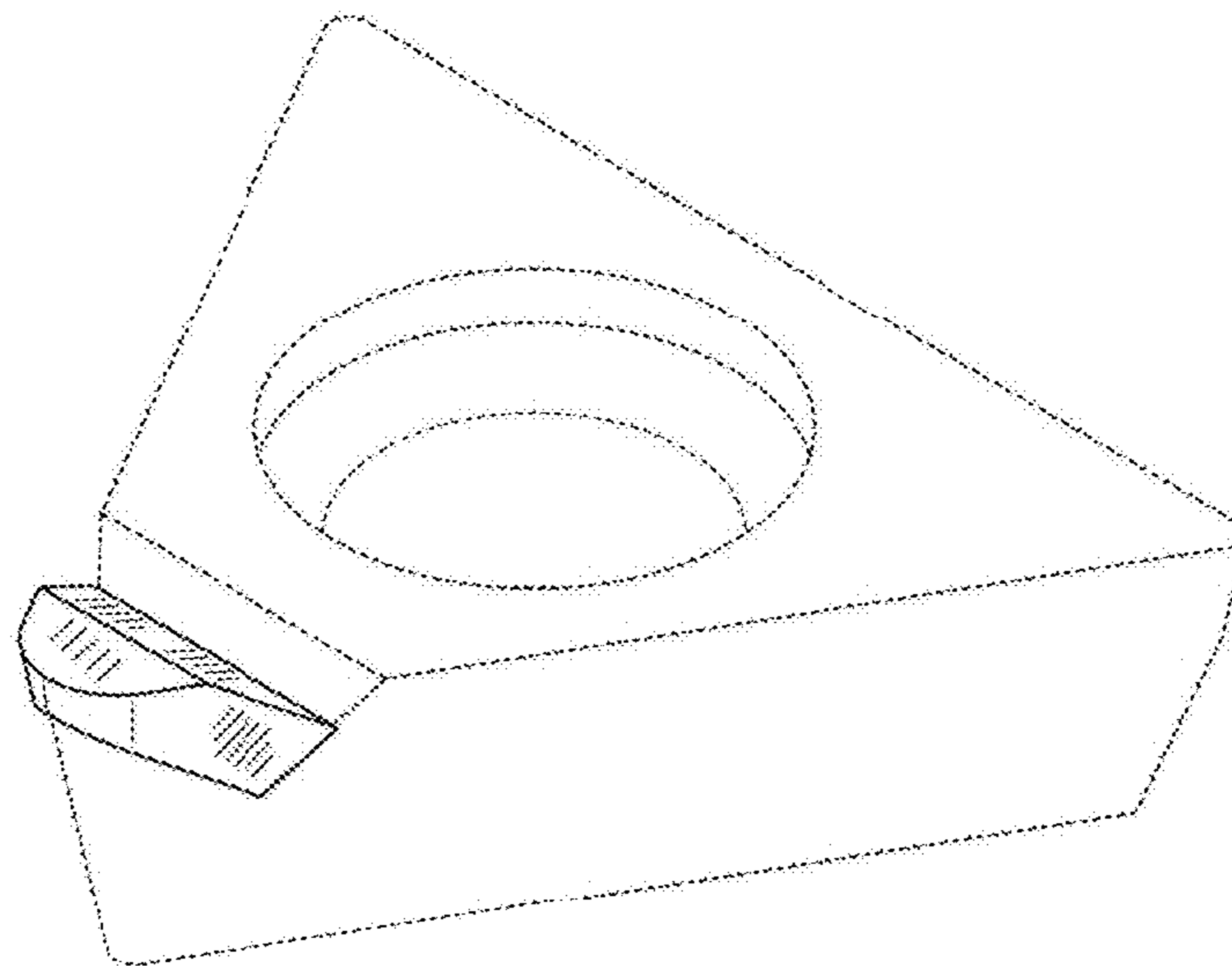


FIG. 8

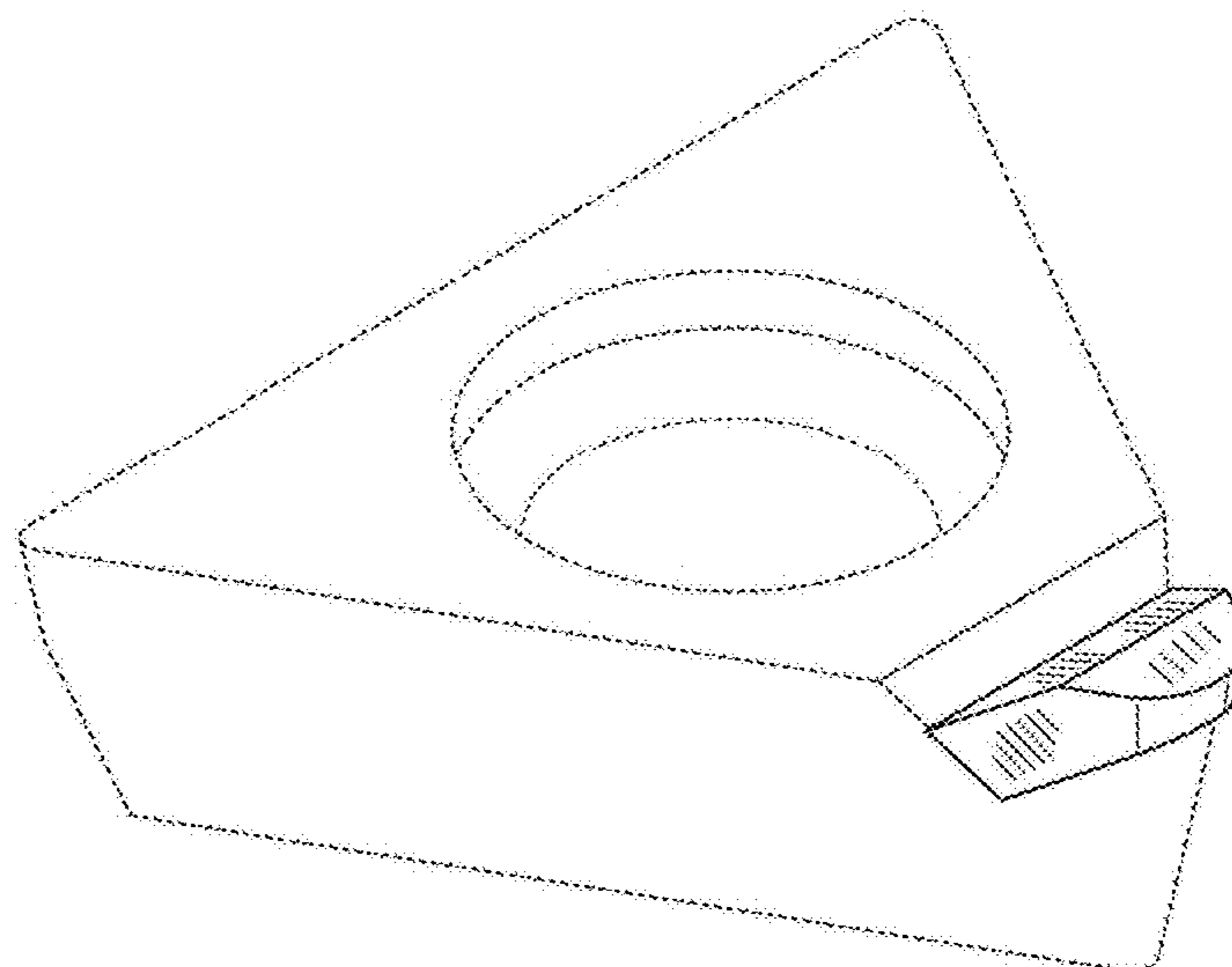


FIG. 9

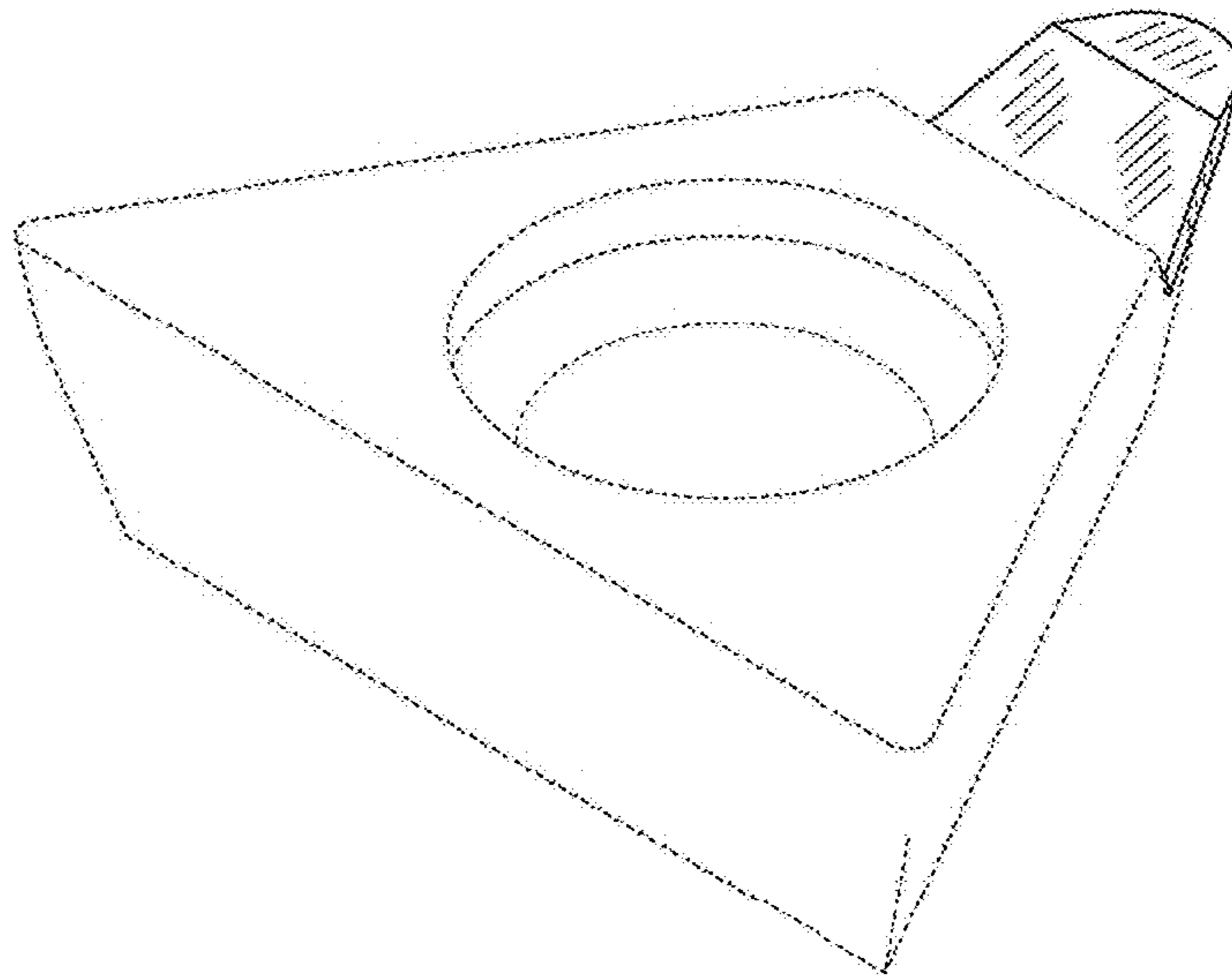


FIG. 10

