

US00D957483S

(12) **United States Design Patent** (10) **Patent No.:** **US D957,483 S**  
**O’Hanrahan, Jr.** (45) **Date of Patent:** **\*\* \*Jul. 12, 2022**

(54) **FORGED ROLLER ASSEMBLY**  
(71) Applicant: **Edward O’Hanrahan, Jr.**, Homosassa, FL (US)  
(72) Inventor: **Edward O’Hanrahan, Jr.**, Homosassa, FL (US)  
(\* ) Notice: This patent is subject to a terminal disclaimer.  
(\*\*) Term: **15 Years**  
(21) Appl. No.: **29/766,807**  
(22) Filed: **Jan. 19, 2021**  
(51) **LOC (13) Cl.** ..... **15-09**  
(52) **U.S. Cl.**  
USPC ..... **D15/138**  
(58) **Field of Classification Search**  
USPC ..... D15/122, 138, 148, 149  
CPC . B60S 3/004; B61J 3/04; B65G 17/24; B65G 19/02; B65G 19/225; B65G 39/20; B65G 2201/0294  
See application file for complete search history.

(56) **References Cited**  
U.S. PATENT DOCUMENTS  
1,157,618 A \* 10/1915 Cottingham ..... B61H 13/34  
188/205 R  
1,764,939 A \* 6/1930 Dina ..... G03B 1/42  
226/84  
D106,464 S \* 10/1937 Wherren ..... D15/138  
D136,795 S \* 12/1943 Lear ..... D12/345  
D184,544 S \* 3/1959 Pessler ..... D15/138  
D192,188 S \* 2/1962 Lake, Jr. .... D15/138  
D216,825 S \* 3/1970 Hunnicutt ..... D15/138  
4,114,003 A \* 9/1978 Frink ..... H01H 3/30  
218/7  
4,557,327 A \* 12/1985 Kinley ..... E21B 17/1021  
166/241.5

4,873,929 A \* 10/1989 Witecki ..... B60S 3/004  
198/717  
5,140,910 A \* 8/1992 Welter ..... B60S 3/004  
104/162  
5,277,126 A \* 1/1994 Wendt ..... B65G 17/20  
105/155  
5,452,774 A \* 9/1995 Davis ..... B66B 9/16  
254/95  
6,186,073 B1 \* 2/2001 Reitsch, Jr. .... B60S 3/004  
104/162  
6,647,894 B1 \* 11/2003 Simoes ..... B60S 3/004  
198/732  
6,668,731 B2 \* 12/2003 Calisi ..... B61J 3/04  
104/172.3  
D523,451 S \* 6/2006 Folk ..... D15/138  
D599,831 S \* 9/2009 Rosso ..... D15/138  
8,146,511 B1 \* 4/2012 Analetto ..... B60S 3/004  
104/165

(Continued)

*Primary Examiner* — Patricia A Palasik  
(74) *Attorney, Agent, or Firm* — Larson & Larson, P.A.;  
Frank Liebenow; Justin P. Miller

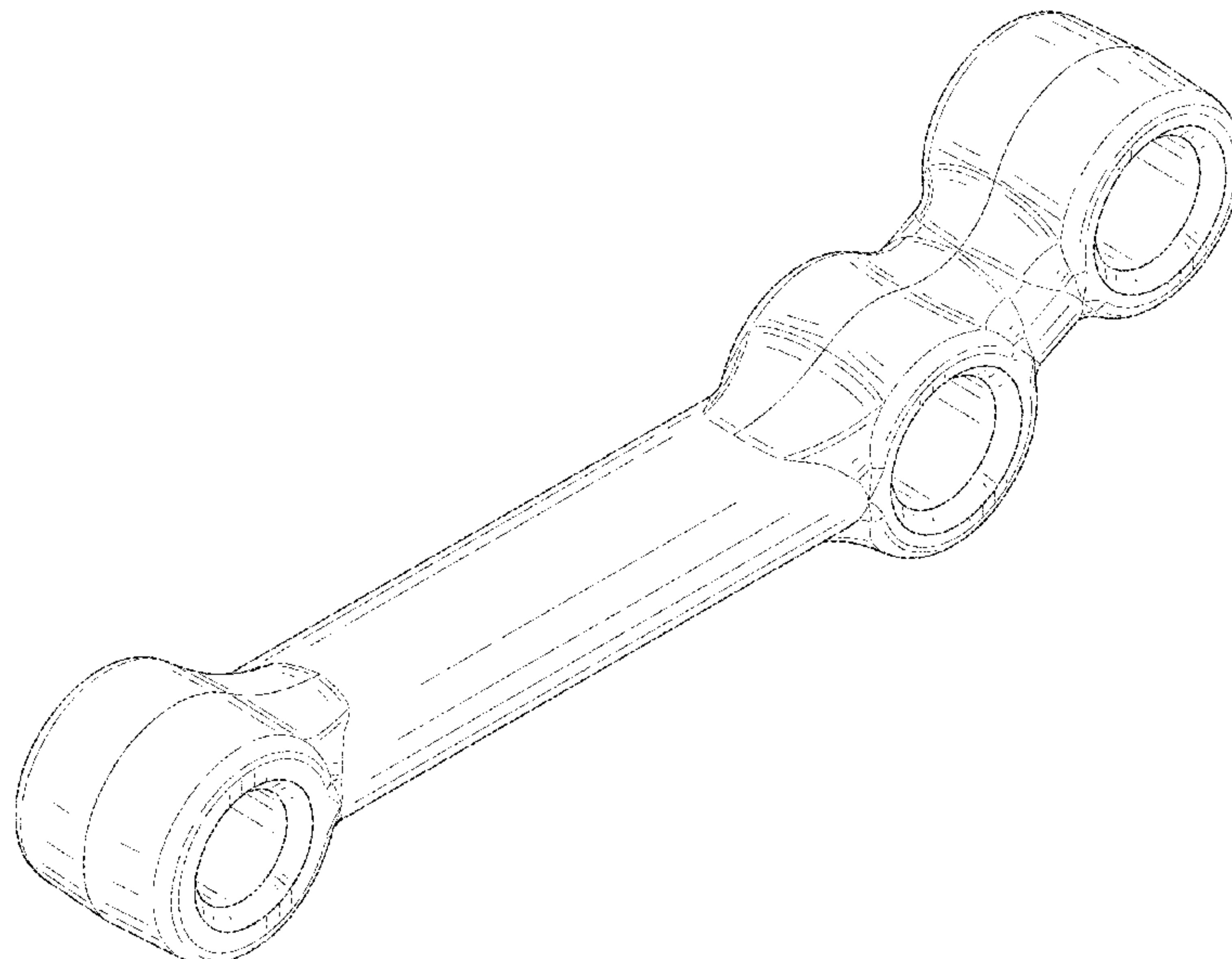
(57) **CLAIM**

The ornamental design for a forged roller assembly, as shown and described.

**DESCRIPTION**

FIG. 1 is a perspective view of a forged roller assembly showing my new design;  
FIG. 2 is a front elevation view thereof;  
FIG. 3 is a rear elevation view thereof;  
FIG. 4 is a left-side elevation view thereof;  
FIG. 5 is a right-side elevation view thereof;  
FIG. 6 is a top plan view thereof;  
FIG. 7 is a bottom plan view thereof; and,  
FIG. 8 is a second perspective view thereof.  
The broken lines in FIG. 8 illustrate rollers and chain links of the forged roller assembly that form no part of the claimed design.

**1 Claim, 6 Drawing Sheets**



(56)

**References Cited**

## U.S. PATENT DOCUMENTS

8,161,888 B2 \* 4/2012 Balash ..... B60S 3/004  
104/165  
8,393,461 B2 \* 3/2013 Balash ..... B60S 3/004  
198/732  
D740,864 S \* 10/2015 Johnsson ..... D15/138  
9,452,740 B1 9/2016 Fazio et al.  
D774,117 S \* 12/2016 Wingerter ..... D15/138  
D885,447 S \* 5/2020 Boulet Gendron ..... D15/138  
10,766,707 B2 9/2020 Fazio et al.  
2003/0200892 A1 \* 10/2003 Calisi ..... B60S 3/004  
104/172.3  
2005/0109583 A1 \* 5/2005 Stebnicki ..... B65G 17/06  
198/779  
2008/0229965 A1 \* 9/2008 Balash ..... B65G 19/225  
104/162  
2010/0326235 A1 \* 12/2010 Kilbon ..... B21K 1/08  
74/595  
2011/0036263 A1 \* 2/2011 Balash ..... B60S 3/004  
104/162  
2015/0311103 A1 \* 10/2015 Bando ..... H01L 21/67778  
414/331.17  
2016/0264103 A1 \* 9/2016 Fazio ..... B65G 19/225  
2019/0367281 A1 \* 12/2019 Fazio ..... B65G 19/205

\* cited by examiner

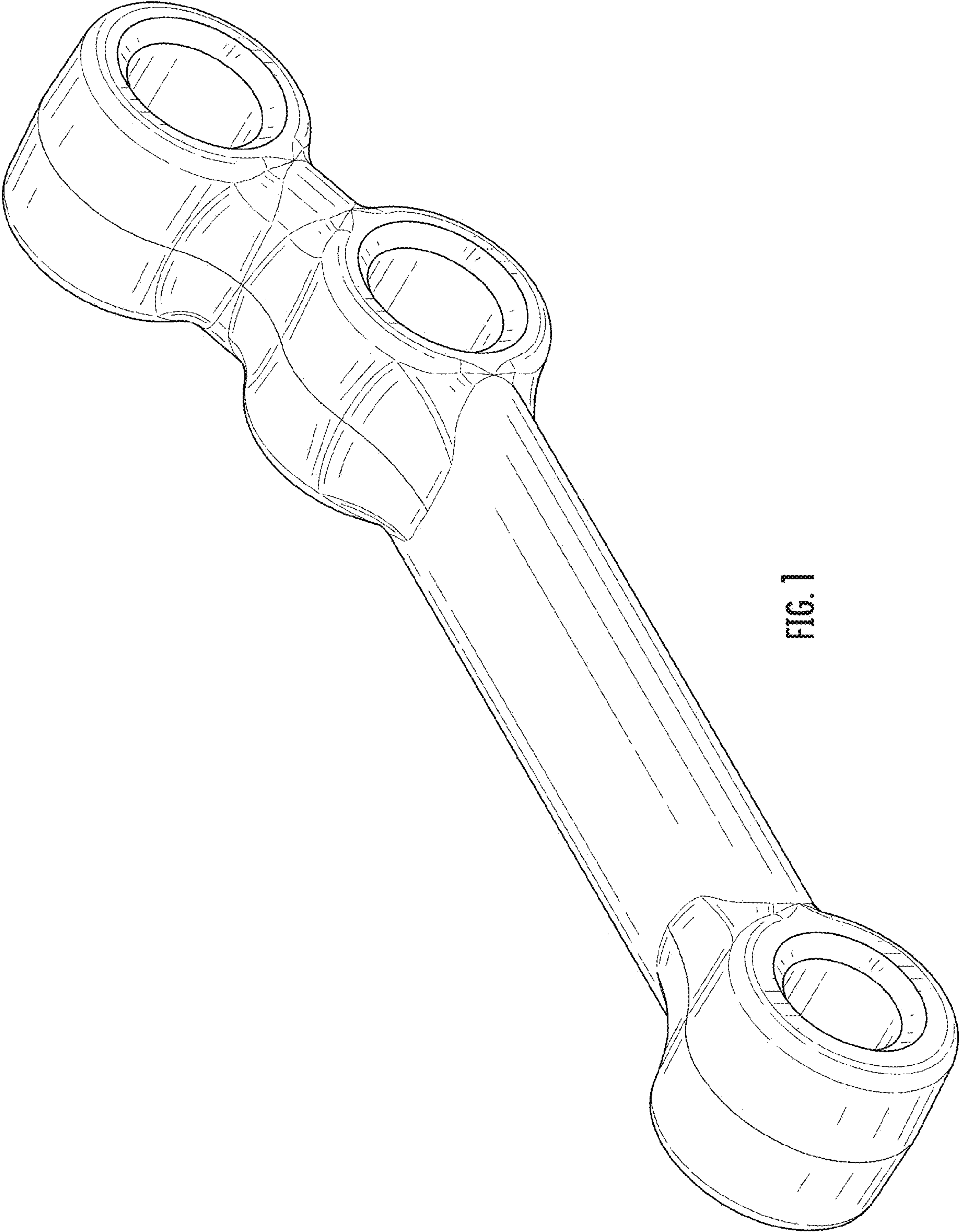


FIG. 1

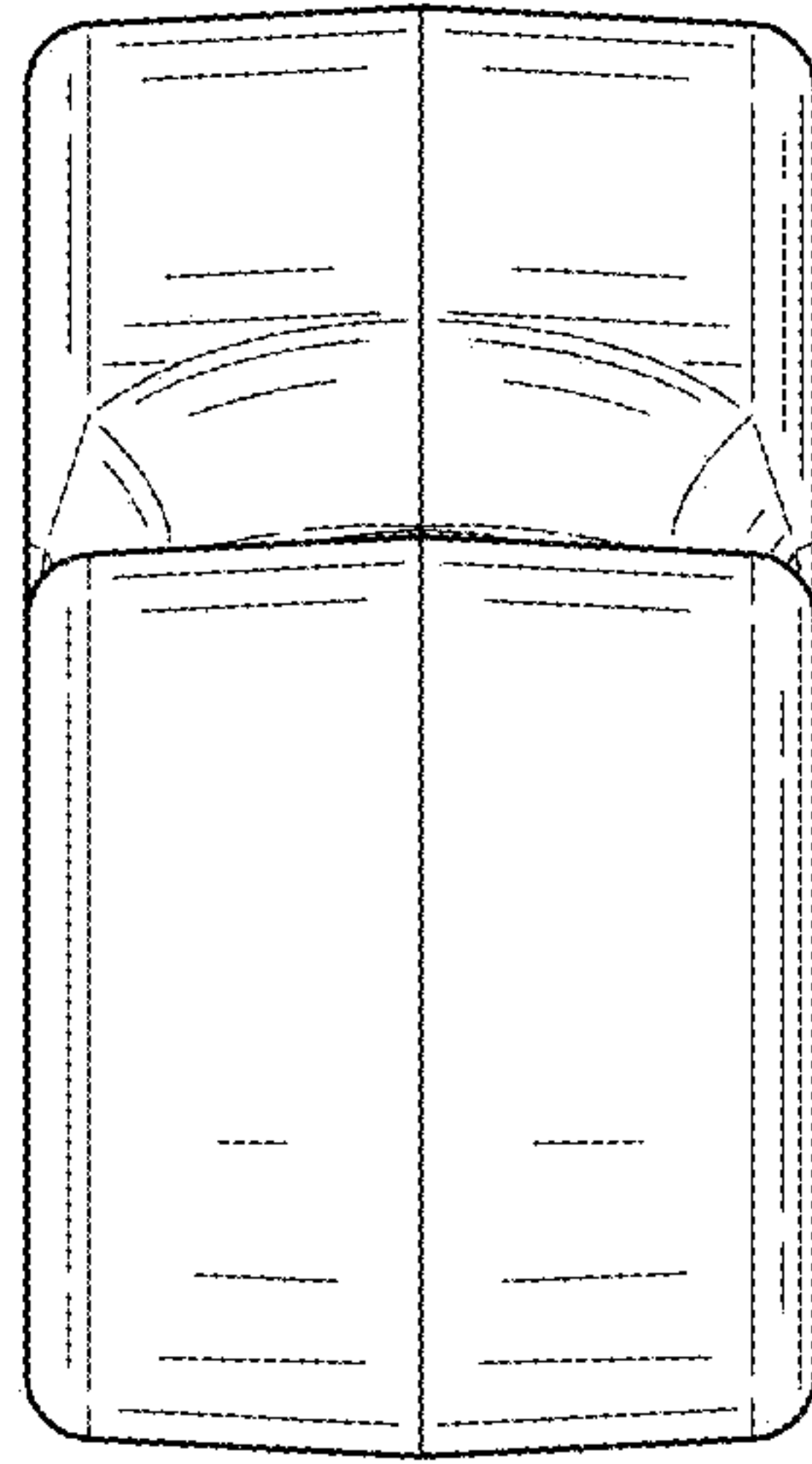


FIG. 2

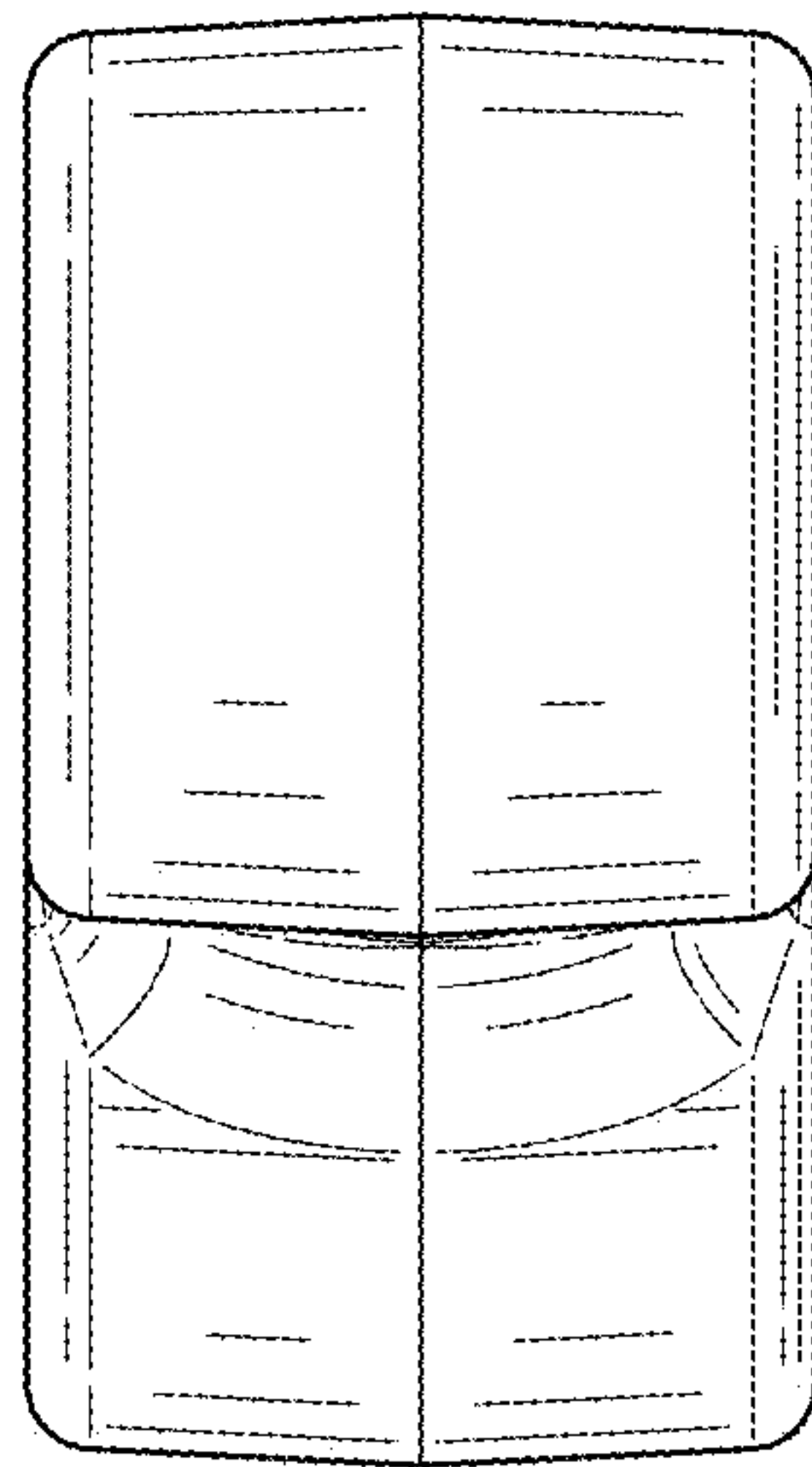


FIG. 3

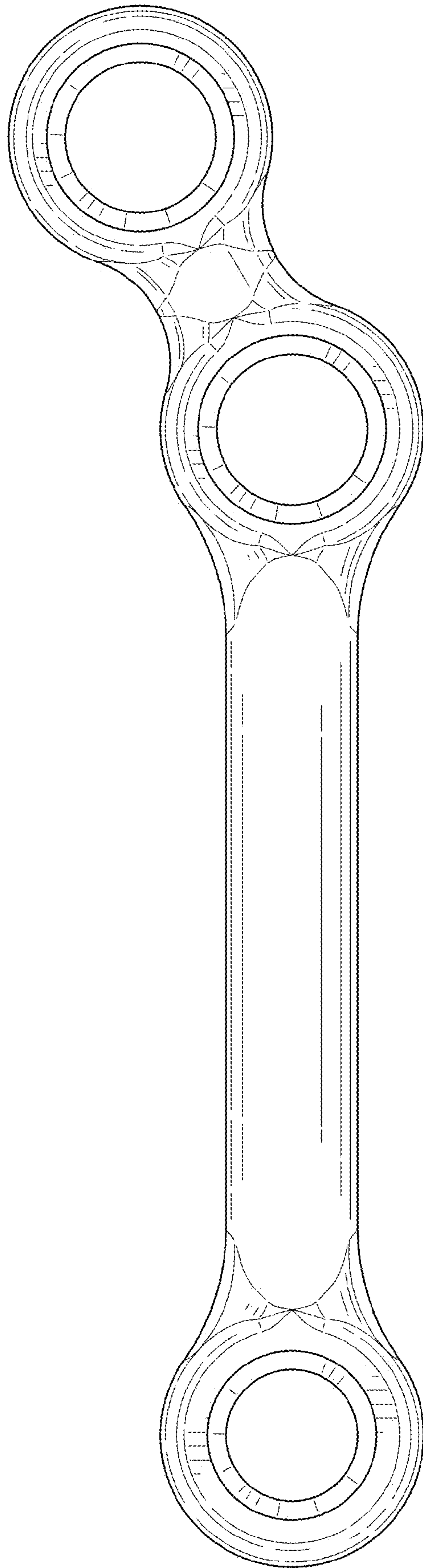


FIG. 4



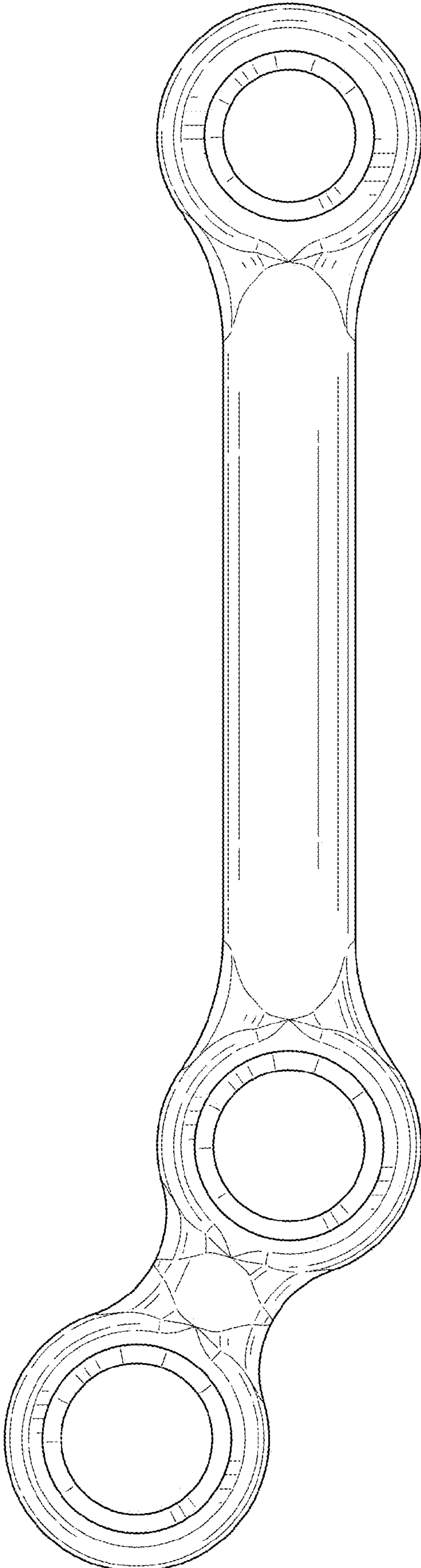


FIG. 5

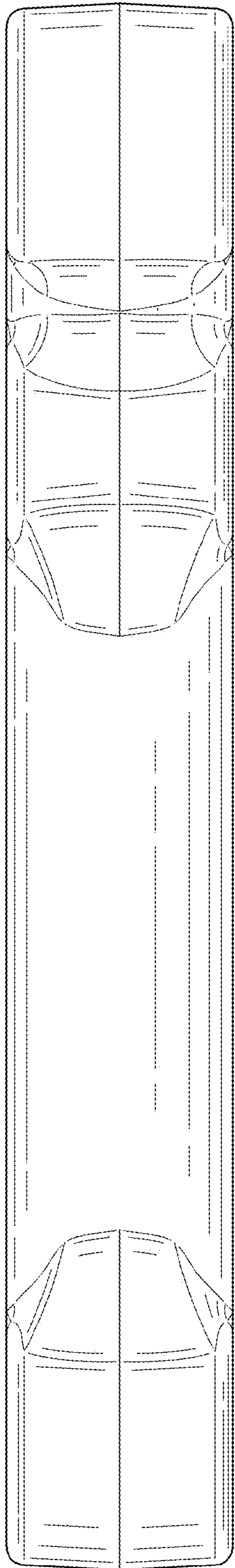


FIG. 6

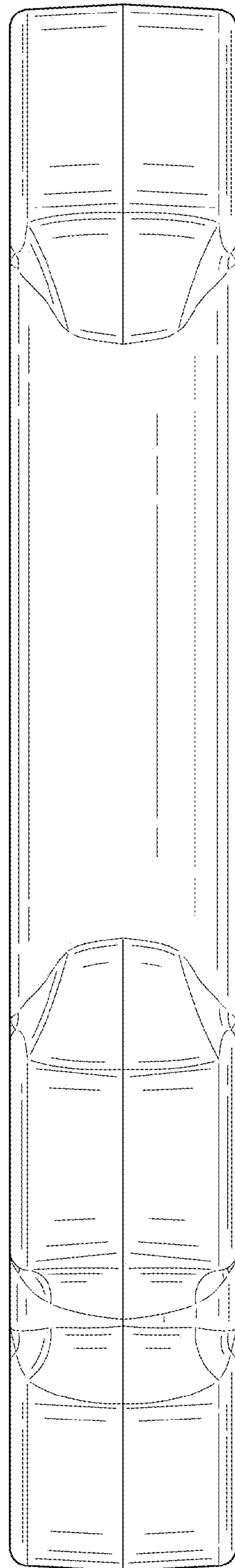


FIG. 7

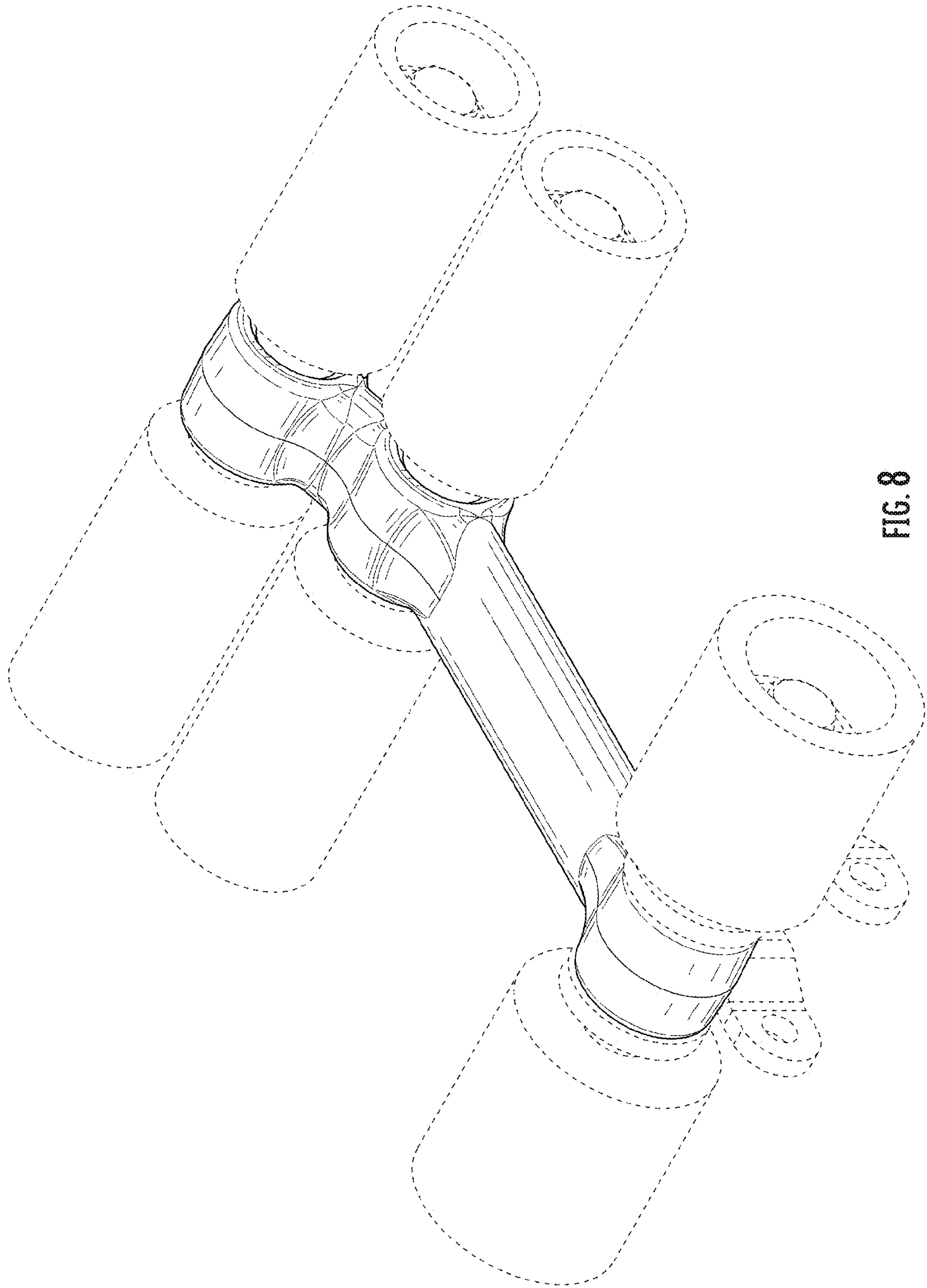


FIG. 8