



US00D957481S

(12) **United States Design Patent** (10) **Patent No.:** **US D957,481 S**
Gochika et al. (45) **Date of Patent:** **** Jul. 12, 2022**

(54) **OUTER APPLIANCE PANEL**

(71) Applicant: **WHIRLPOOL CORPORATION**,
Benton Harbor, MI (US)

(72) Inventors: **Koteswara Rao Gochika**, Pune (IN);
Arunkumar Harikrishnasamy,
Stevensville, MI (US); **Vishal S.**
Marathe, Pune (IN); **Manjunathreddi**
Navalgund, Pune (IN)

(73) Assignee: **Whirlpool Corporation**, Benton
Harbor, MI (US)

(**) Term: **15 Years**

(21) Appl. No.: **29/695,738**

(22) Filed: **Jun. 21, 2019**

(51) **LOC (13) Cl.** **15-07**

(52) **U.S. Cl.**
USPC **D15/89**

(58) **Field of Classification Search**
USPC D15/79-91

(Continued)

(56) **References Cited**

U.S. PATENT DOCUMENTS

D809,573 S * 2/2018 McConnell D15/89
D818,505 S * 5/2018 Ammerman D15/89

(Continued)

FOREIGN PATENT DOCUMENTS

DE 102005031831 1/2007
DE 102012221010 5/2014
EP 1262605 12/2002
EP 2936021 10/2015
KR 20130140357 12/2013
WO 2012156246 11/2012

Primary Examiner — Khawaja Anwar

(74) *Attorney, Agent, or Firm* — Price Heneveld LLP

(57) **CLAIM**

We claim the ornamental design for an outer appliance panel, as shown and described.

DESCRIPTION

FIG. 1 is a side perspective view of the outer appliance panel of the present invention;

FIG. 2 is a first side elevation view of the outer appliance panel of the present invention;

FIG. 3 is a second side elevation view of the outer appliance panel of the present invention;

FIG. 4 is a bottom plan view of the outer appliance panel of the present invention;

FIG. 5 is a top plan view of the outer appliance panel of the present invention;

FIG. 6 is a third side elevation view of the outer appliance panel of the present invention;

FIG. 7 is a fourth side elevation view of the outer appliance panel of the present invention;

FIG. 8 is a side perspective view of the outer appliance panel of an alternative embodiment of the present invention;

FIG. 9 is a first side elevation view of the outer appliance panel of an alternative embodiment of the present invention;

FIG. 10 is a second side elevation view of the outer appliance panel of an alternative embodiment of the present invention;

FIG. 11 is a bottom plan view of the outer appliance panel of an alternative embodiment of the present invention;

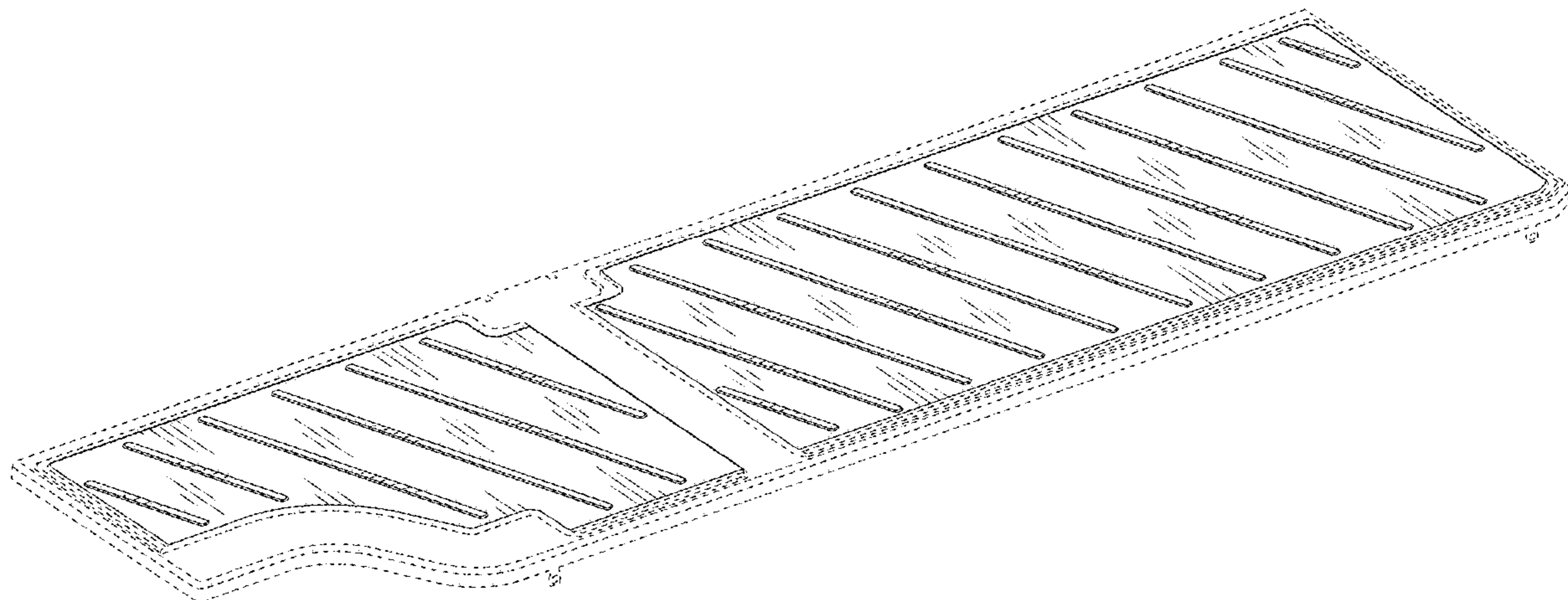
FIG. 12 is a top plan view of the outer appliance panel of an alternative embodiment of the present invention;

FIG. 13 is a third side elevation view of the outer appliance panel of an alternative embodiment of the present invention; and,

FIG. 14 is a fourth side elevation view of the outer appliance panel of an alternative embodiment of the present invention.

The broken lines in the figures are for contextual purposes or show the environment and form no part of the claimed design.

1 Claim, 10 Drawing Sheets



(58) **Field of Classification Search**

CPC .. F25D 11/00; F25D 17/065; F25D 2325/022;
F25D 23/069; F25D 25/025; F25D 11/02;
F25D 17/062; F25D 21/12; F25D 21/125;
F25D 21/14; F25D 2317/061; F25D
2317/067; F25D 2323/021; F25D
2323/024; F25D 23/028; F25D 23/04;
F25D 23/066; F25D 23/085; F25D
23/087; F25D 23/126; F25D 2400/02;
F25D 2400/06; F25D 2400/361; F25D
2400/40; F25D 25/005; F25D 25/02;
F25D 2600/02; F25D 2700/02; F25D
2700/12; F25D 2700/121; F25D 2700/14;
F25D 29/00

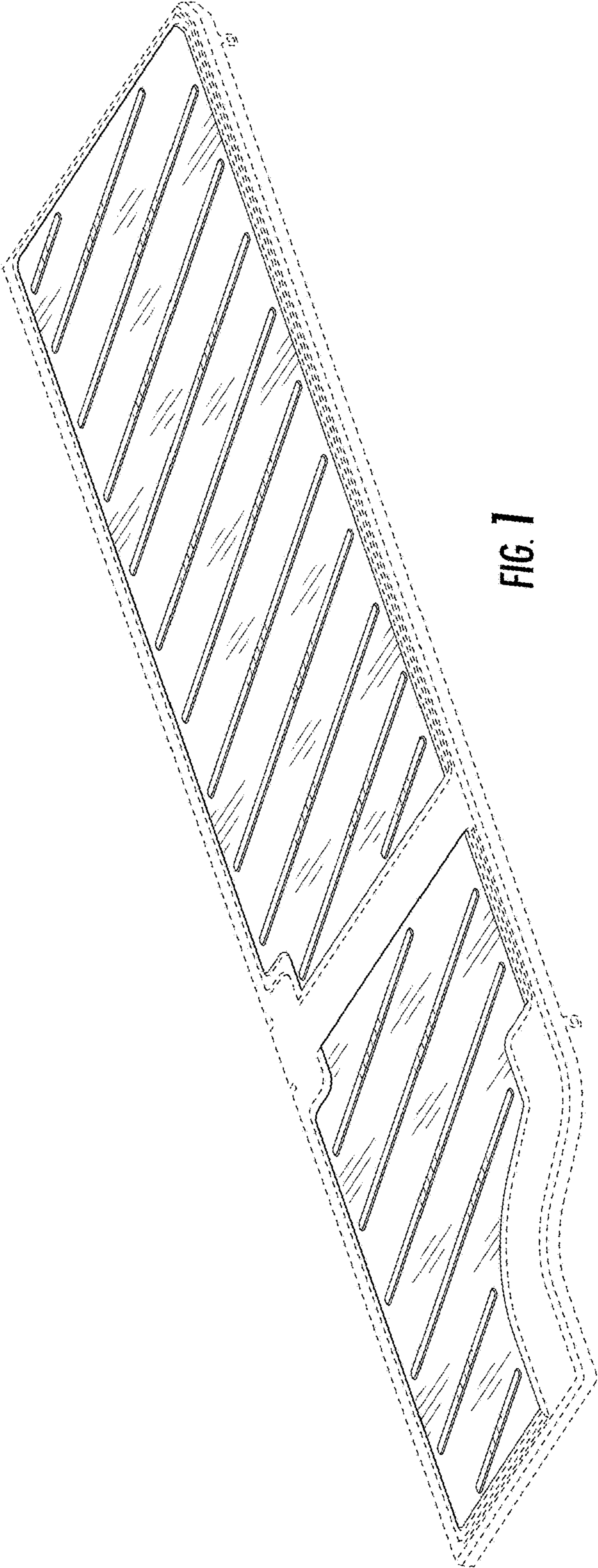
See application file for complete search history.

(56) **References Cited**

U.S. PATENT DOCUMENTS

D819,092	S	*	5/2018	Ammerman	D15/89
D836,140	S	*	12/2018	Jonas	D15/89
D852,236	S	*	6/2019	Lee	D15/89
D853,455	S	*	7/2019	Pagh	D15/89
D854,057	S	*	7/2019	de Cavalcanti	D15/89
D900,171	S	*	10/2020	Pagh	D15/89
D904,472	S	*	12/2020	Pagh	D15/89
D907,075	S	*	1/2021	Kim	F25D 25/025
						D15/89
D926,234	S	*	7/2021	Case	D15/89
D926,830	S	*	8/2021	Jonas	D15/89
2017/0292776	A1		10/2017	Kim et al.		

* cited by examiner



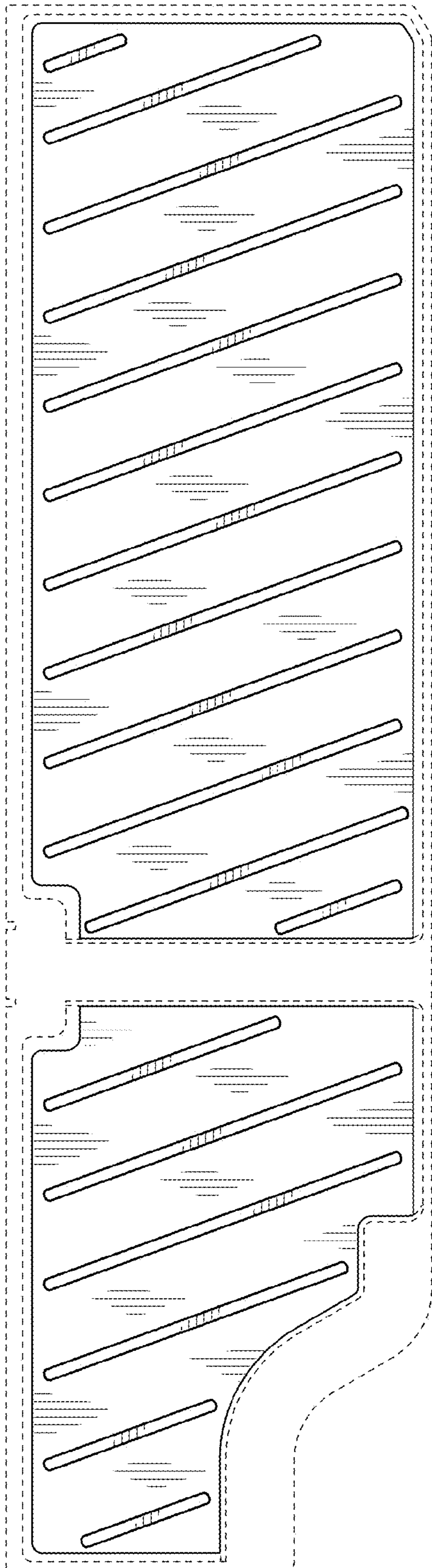


FIG. 2

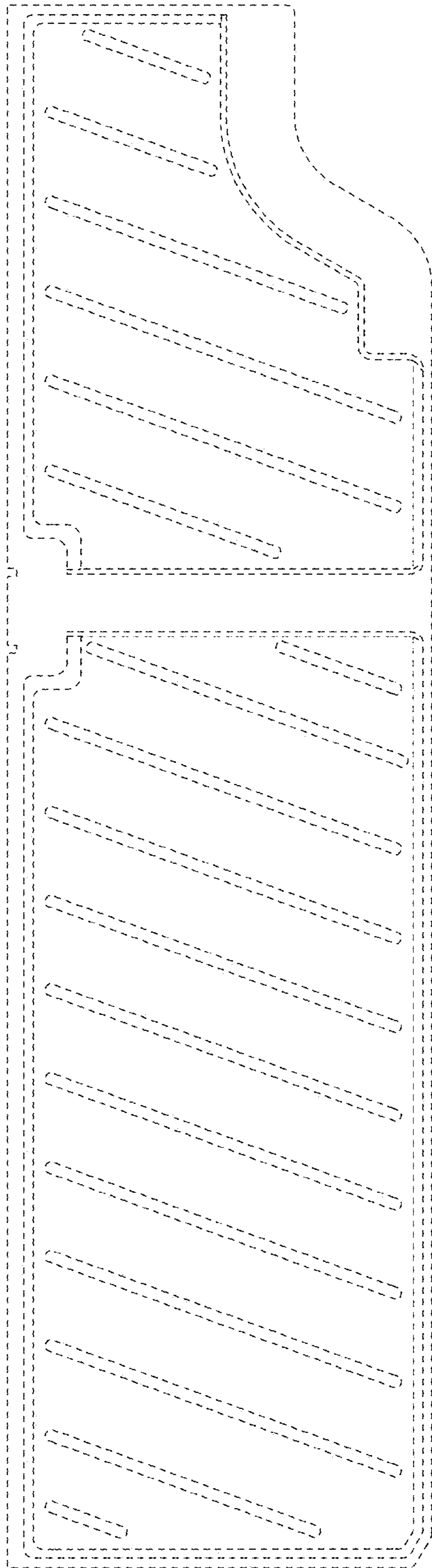


FIG. 3



FIG. 4

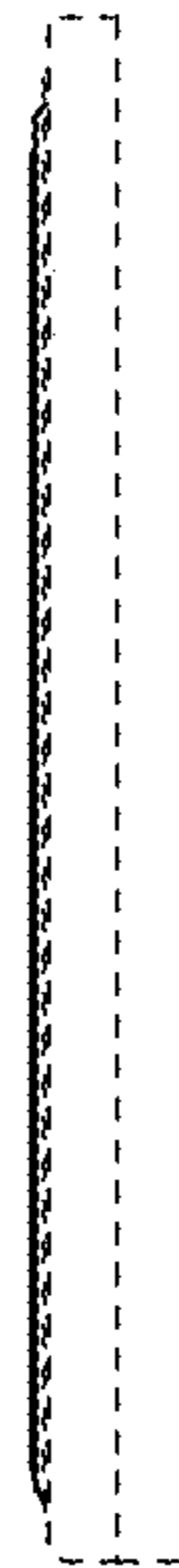


FIG. 5



FIG. 6

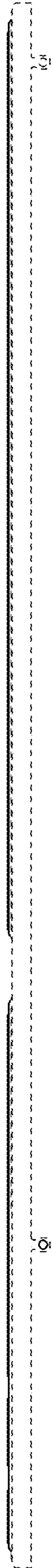


FIG. 7

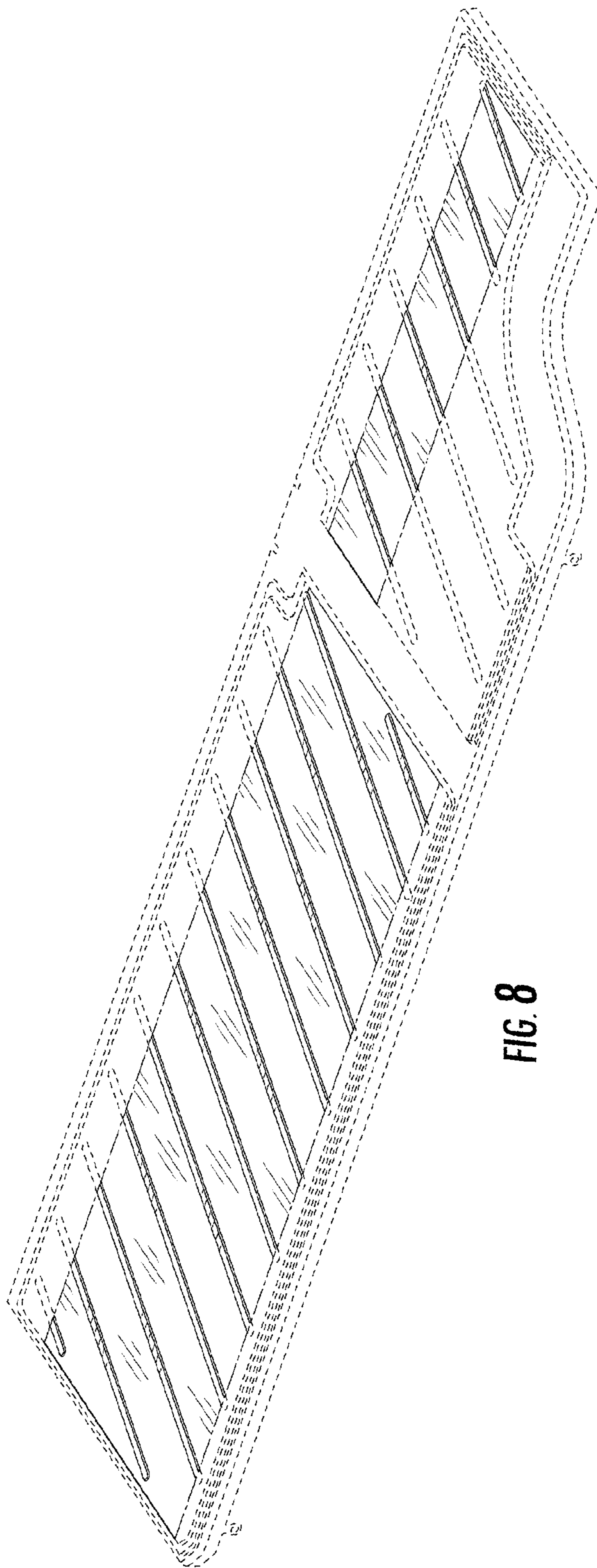


FIG. 8

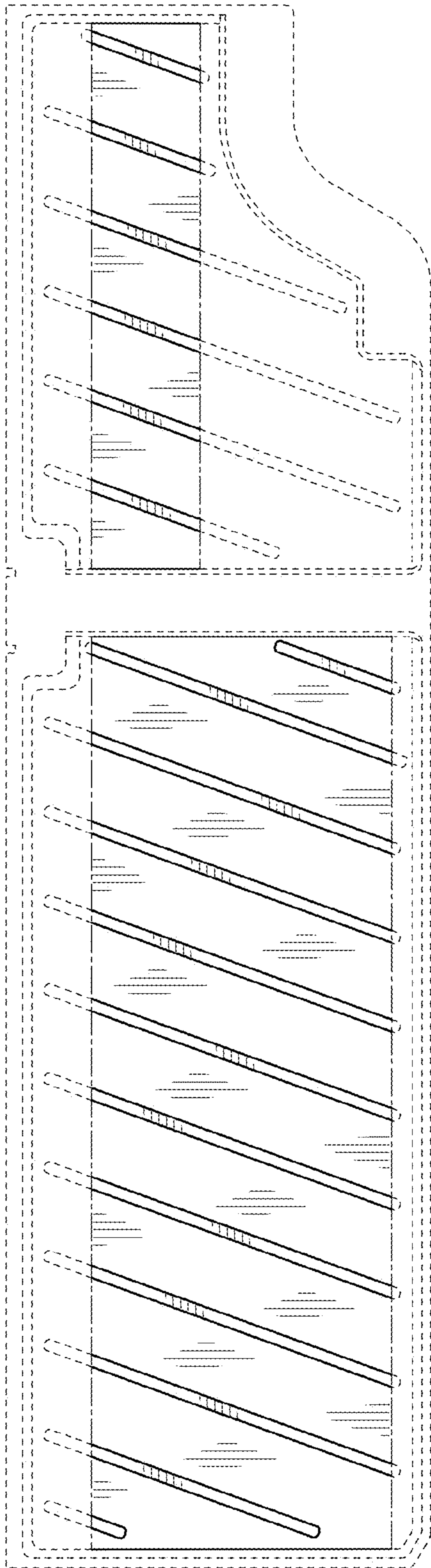


FIG. 9

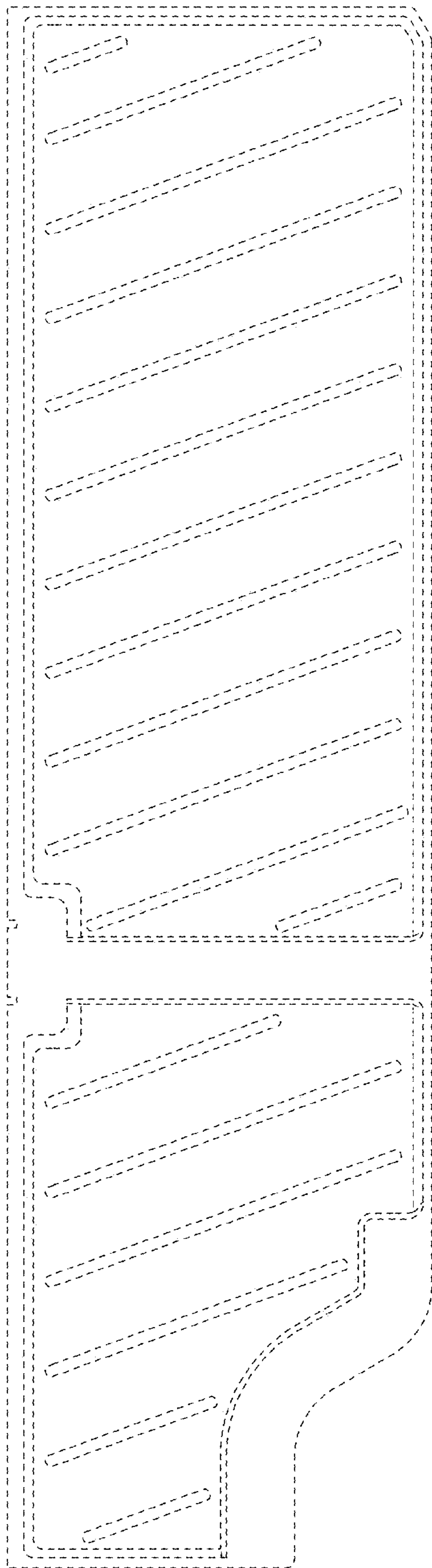


FIG. 10



FIG. 11

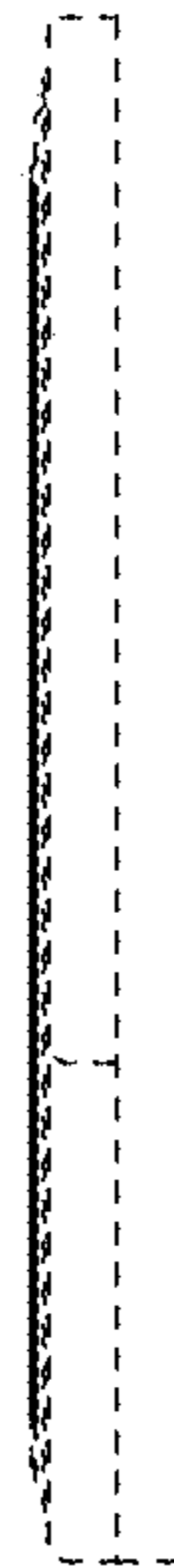


FIG. 12

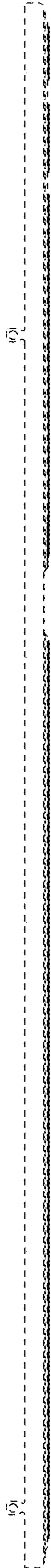


FIG. 13

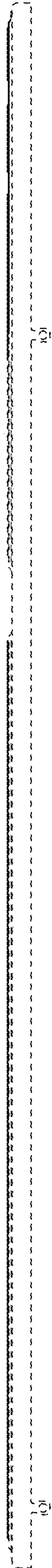


FIG. 14