



US00D957480S

(12) **United States Design Patent** (10) **Patent No.:** **US D957,480 S**  
**de Cavalcanti et al.** (45) **Date of Patent:** **\*\* Jul. 12, 2022**

(54) **REFRIGERATOR AIR FILTER ASSEMBLY**  
(71) Applicant: **WHIRLPOOL CORPORATION**,  
Benton Harbor, MI (US)  
(72) Inventors: **Daniel de Cavalcanti**, St. Joseph, MI  
(US); **Alexandre D. Grosse**,  
Joinville-SC (BR); **Jose Paulo Remor**,  
Stevensville, MI (US)  
(73) Assignee: **Whirlpool Corporation**, Benton  
Harbor, MI (US)  
(\*\*) Term: **15 Years**  
(21) Appl. No.: **29/690,949**  
(22) Filed: **May 13, 2019**

(56) **References Cited**  
U.S. PATENT DOCUMENTS  
D511,178 S \* 11/2005 Tunzi ..... D15/89  
D514,138 S \* 1/2006 Jackovin ..... D15/89  
(Continued)  
FOREIGN PATENT DOCUMENTS  
CN 2162612 Y 4/1994  
CN 2401534 Y 10/2000  
(Continued)  
*Primary Examiner* — Khawaja Anwar  
(74) *Attorney, Agent, or Firm* — Price Heneveld LLP

(57) **CLAIM**  
The ornamental design for a refrigerator air filter assembly,  
as shown and described.

**DESCRIPTION**

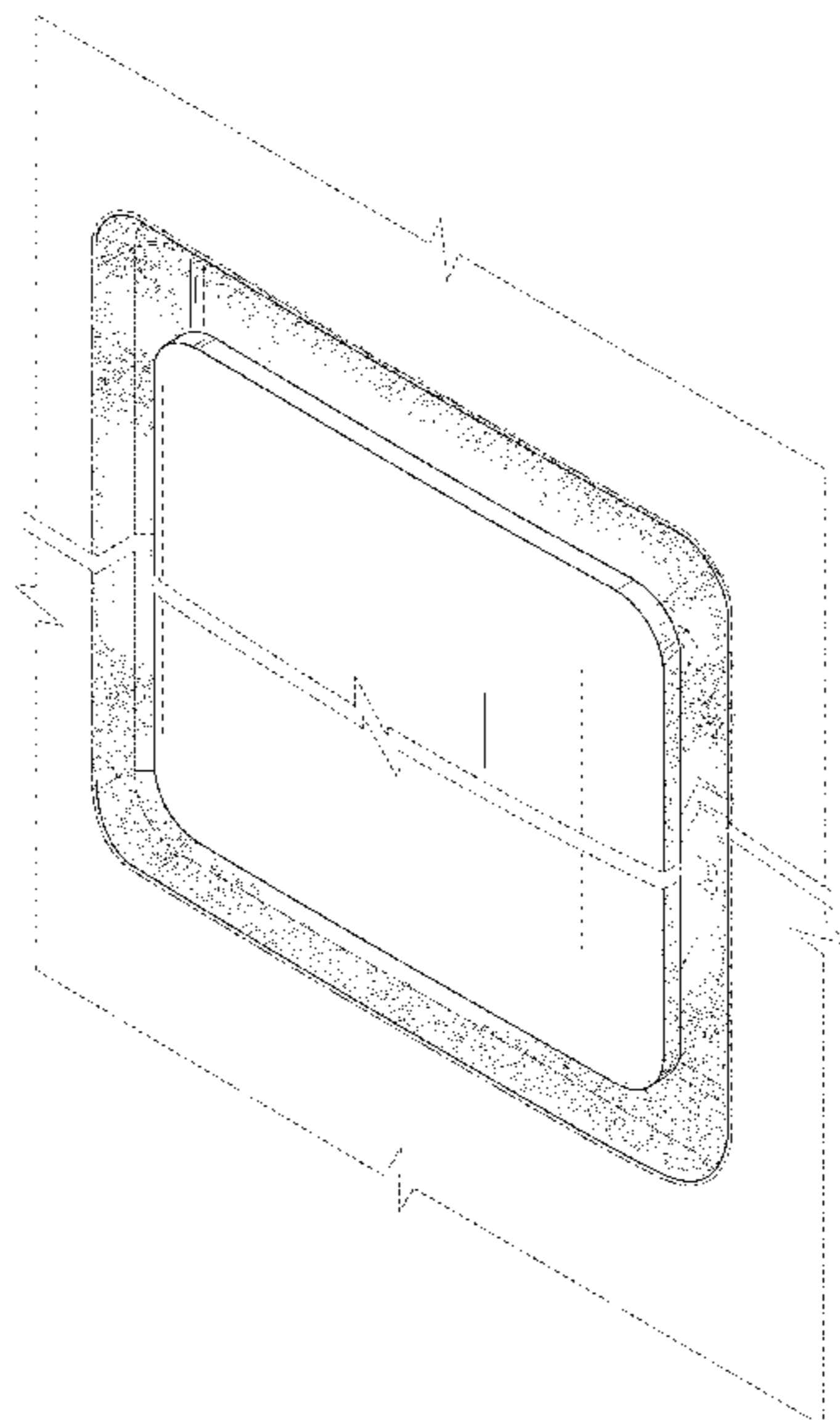
FIG. 1 is a top-front perspective view of a refrigerator air filter assembly according to our design; FIG. 2 is a front-right perspective view thereof; FIG. 3 is a front view thereof; FIG. 4 is a right cross-sectional reference view thereof taken along the line 4-4 in FIG. 3; and, FIG. 5 is a bottom cross-sectional reference view thereof taken along the line 5-5 in FIG. 3. The broken line showing of portions of the article form no part of the claimed design, and the broken line showing of the refrigerator shows environment that is similarly unclaimed. Dash-dot lines adjacent un-shaded areas represent bounds of the claimed design and form no part of the claimed design themselves. Stipple-filled portions of the article indicate a contrasting appearance due to such portions being illuminated by incident light and does not indicate a stipple pattern in the lighting itself. FIGS. 4 and 5 are sectional views for purposes of illustrating relationships between certain structures relative the front vertical plane of the assembly.

**Related U.S. Application Data**

(62) Division of application No. 29/565,439, filed on May 20, 2016, now Pat. No. Des. 854,057.  
(51) **LOC (13) Cl.** ..... **15-07**  
(52) **U.S. Cl.**  
USPC ..... **D15/89**  
(58) **Field of Classification Search**  
USPC ..... D15/79-91  
CPC .. F25D 11/00; F25D 17/065; F25D 2325/022;  
F25D 23/069; F25D 25/025; F25D 11/02;  
F25D 17/062; F25D 21/12; F25D 21/125;  
F25D 21/14; F25D 2317/061; F25D  
2317/067; F25D 2323/021; F25D  
2323/024; F25D 23/028; F25D 23/04;  
F25D 23/066; F25D 23/085; F25D  
23/087; F25D 23/126; F25D 2400/02;  
F25D 2400/06; F25D 2400/361; F25D  
2400/40; F25D 25/005; F25D 25/02;  
F25D 2600/02; F25D

(Continued)

**1 Claim, 4 Drawing Sheets**



(58) **Field of Classification Search**

CPC ..... 2700/02; F25D 2700/12; F25D 2700/121;  
F25D 2700/14; F25D 29/00

See application file for complete search history.

(56) **References Cited**

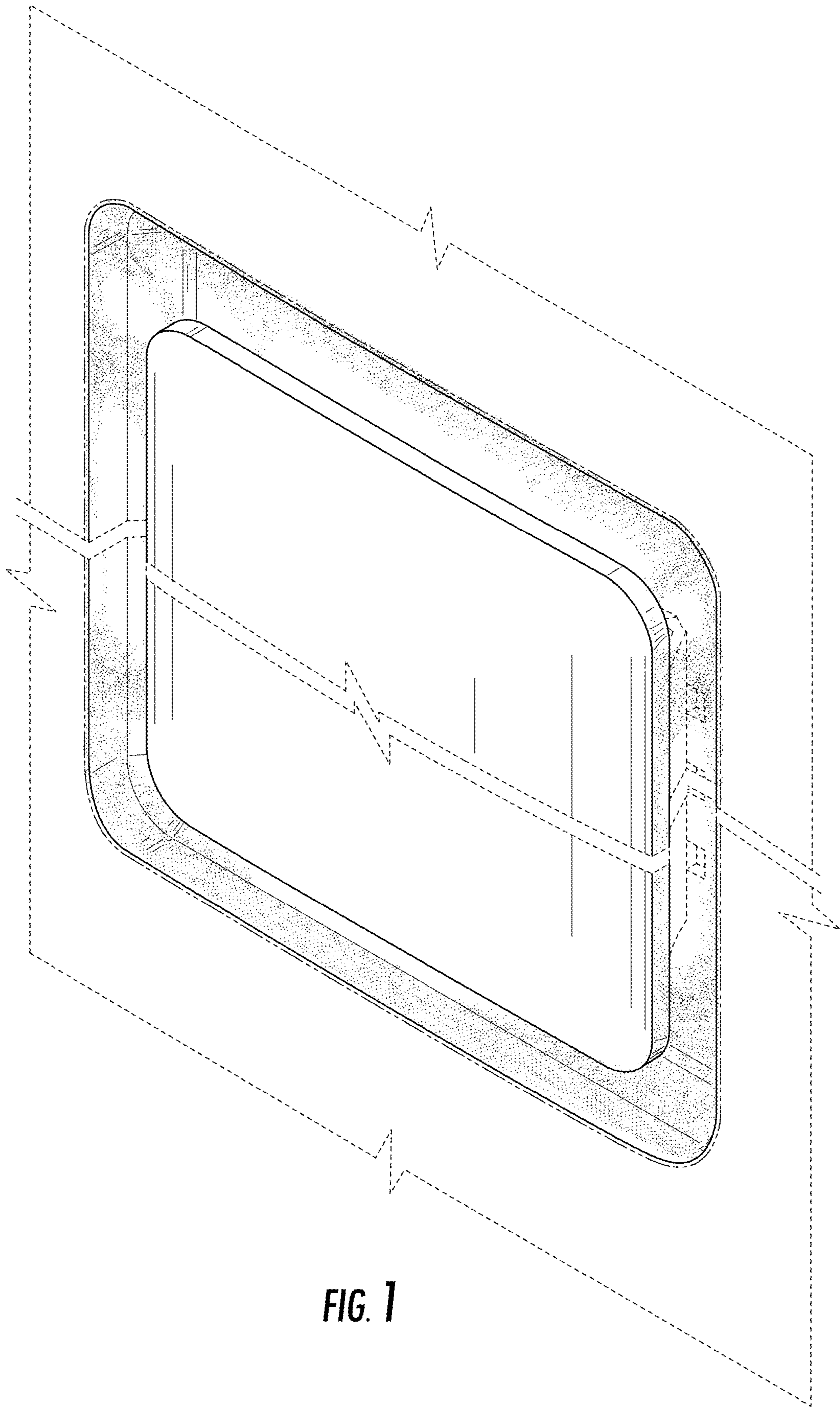
U.S. PATENT DOCUMENTS

D616,001 S	5/2010	Yang et al.	
8,002,367 B2	8/2011	Kim et al.	
D654,515 S	2/2012	Hwang et al.	
D657,402 S	4/2012	Hwang et al.	
D668,276 S *	10/2012	Jungwirth .....	D15/89
D673,588 S *	1/2013	Choi .....	D15/89
D710,402 S	8/2014	Jeon et al.	
D737,344 S *	8/2015	Lee .....	D15/89
D744,013 S *	11/2015	Pfaff .....	D15/89
D751,126 S *	3/2016	Pfaff .....	D15/89
D766,997 S *	9/2016	Lee .....	D15/89
D767,651 S *	9/2016	Heinzle .....	D15/89
D770,542 S *	11/2016	Floeter Junior .....	D15/89
D784,429 S *	4/2017	Kim .....	D15/89
D807,412 S *	1/2018	Lee .....	D15/89

FOREIGN PATENT DOCUMENTS

CN	201754008 U	3/2011
CN	202470609 U	10/2012
JP	H0979729 A	3/1997
KR	100821748 B1	4/2008
KR	1020090075054 A	7/2009

\* cited by examiner



**FIG. 1**

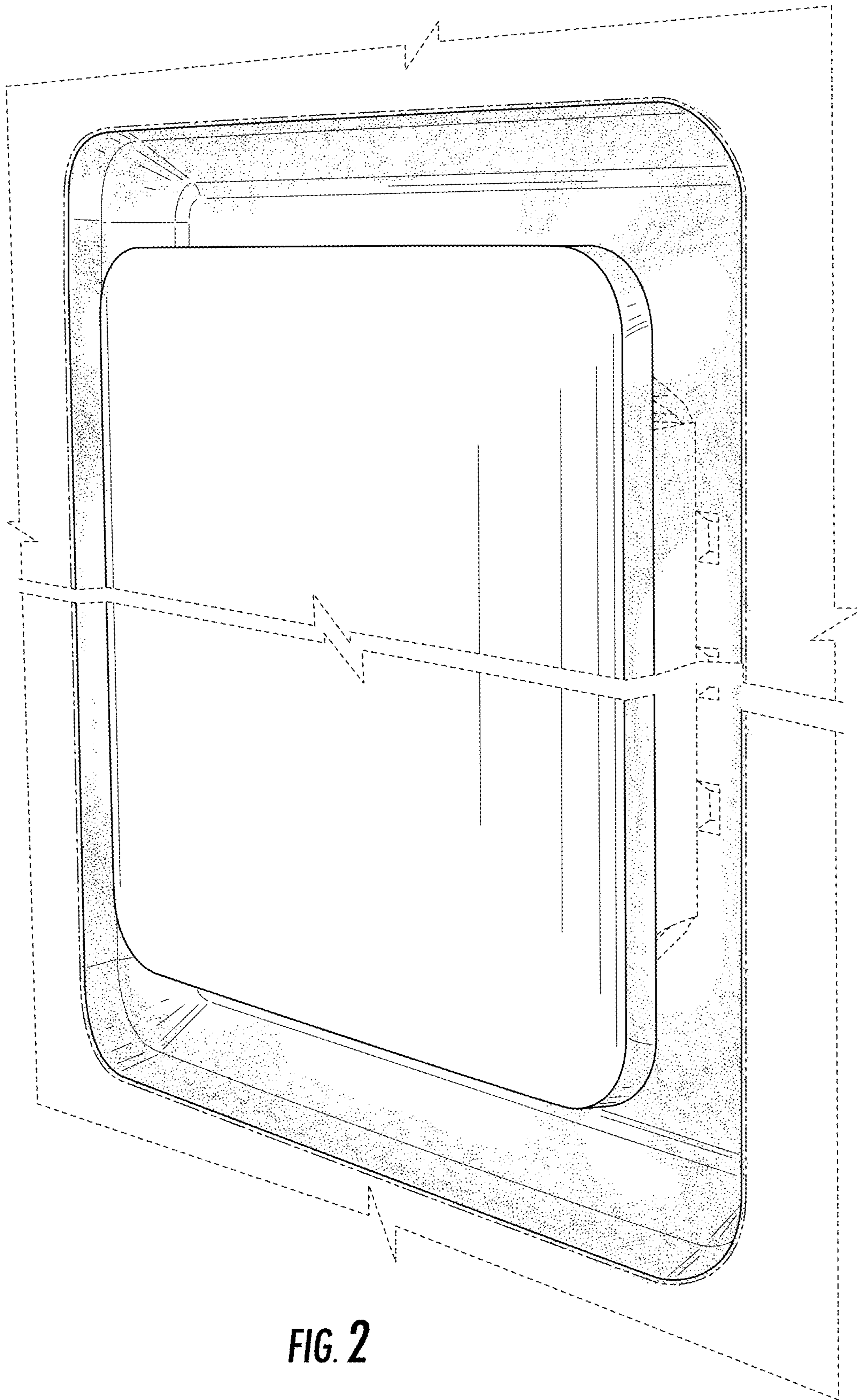


FIG. 2

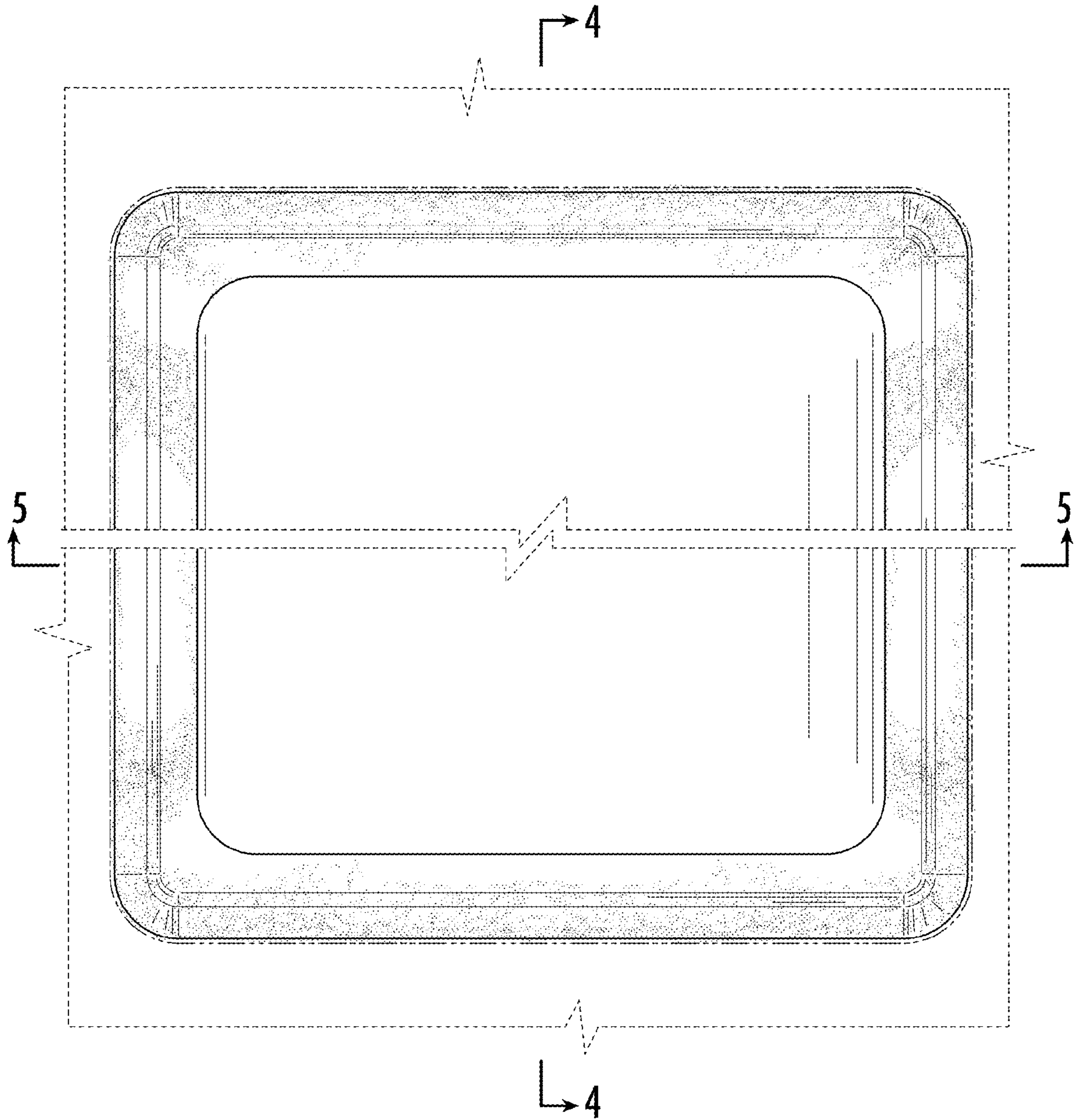
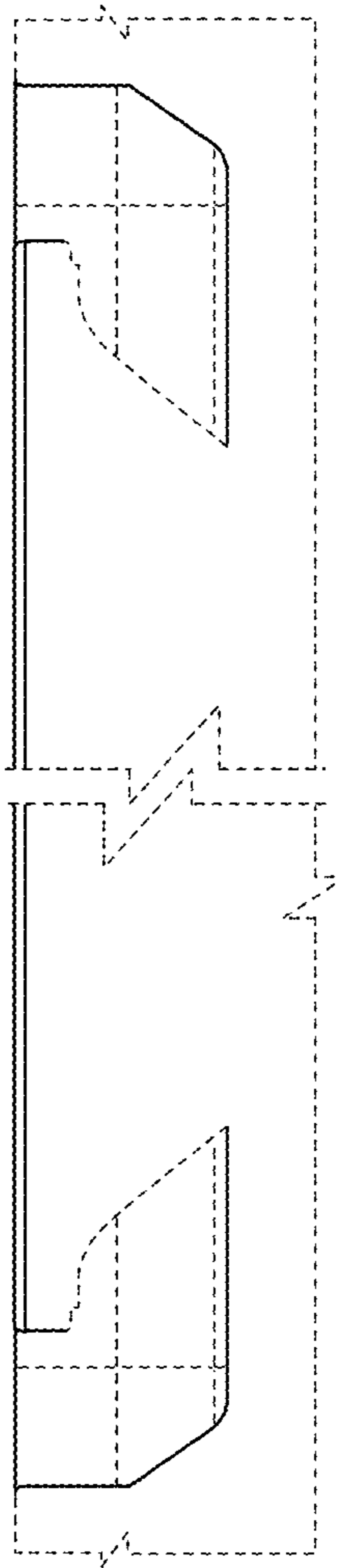
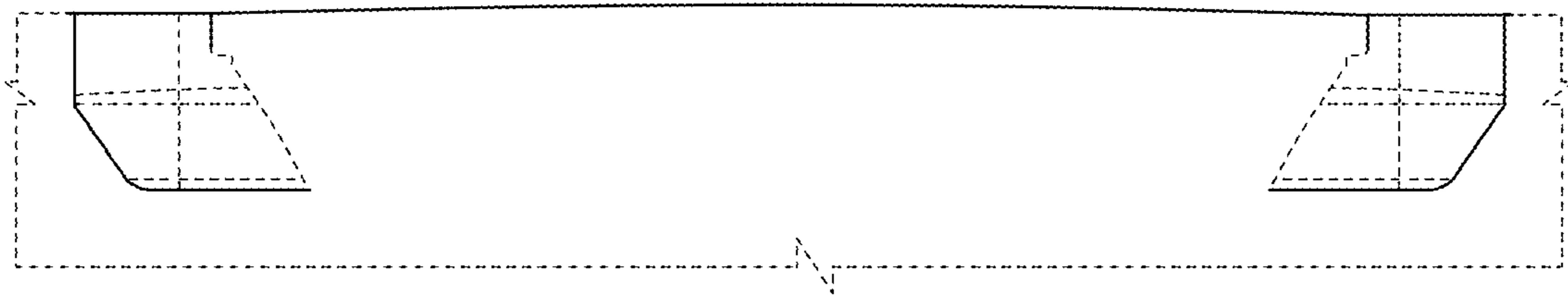


FIG. 3



**FIG. 4**



**FIG. 5**