

US00D957479S

(12) **United States Design Patent** (10) **Patent No.:** **US D957,479 S**
Iuculano et al. (45) **Date of Patent:** **** Jul. 12, 2022**

(54) **REFRIGERATOR**

FOREIGN PATENT DOCUMENTS

(71) Applicant: **Electrolux Home Products, Inc.**,
Charlotte, NC (US)

AU 343156 S 6/2012
AU 343588 S 7/2012

(Continued)

(72) Inventors: **Simona Iuculano**, Stockholm (SE);
Jerome Esteve, Stockholm (SE);
Rodrigo Scandelari Pereira,
Stockholm (SE); **Luis Fernando Zeni**
Filho, Curitiba (BR); **Gabriel Lied**,
Curitiba (BR); **Swaminathan Iyer**,
Galaxis (SG); **Ola Lantz**, Galaxis (SG);
Eunice Cheng, Galaxis (SG)

OTHER PUBLICATIONS

“Samsung French Door refrigerator with integrated Soda Stream module”; Appliance News; retrieved Mar. 11, 2019; published Apr. 21, 2014; URL: <<http://appliance.com/cooling/refrigerators/samsung-french-door-with-soda-stream-refrigerator-rf24hsesbs.html>>.

(Continued)

(73) Assignee: **Electrolux Home Products, Inc.**,
Charlotte, NC (US)

Primary Examiner — Khawaja Anwar

(**) Term: **15 Years**

(74) *Attorney, Agent, or Firm* — Banner & Witcoff, Ltd.

(21) Appl. No.: **29/751,177**

(22) Filed: **Sep. 18, 2020**

Related U.S. Application Data

(62) Division of application No. 29/661,616, filed on Aug. 29, 2018, now Pat. No. Des. 909,434.

(30) **Foreign Application Priority Data**

Mar. 1, 2018 (BR) 30 2018 00821 9

(51) **LOC (13) Cl.** **15-07**

(52) **U.S. Cl.**
USPC **D15/85**

(58) **Field of Classification Search**
USPC D15/79-91

(Continued)

(56) **References Cited**

U.S. PATENT DOCUMENTS

D190,453 S 5/1961 Munz et al.
D299,145 S 12/1988 Kuwabara et al.

(Continued)

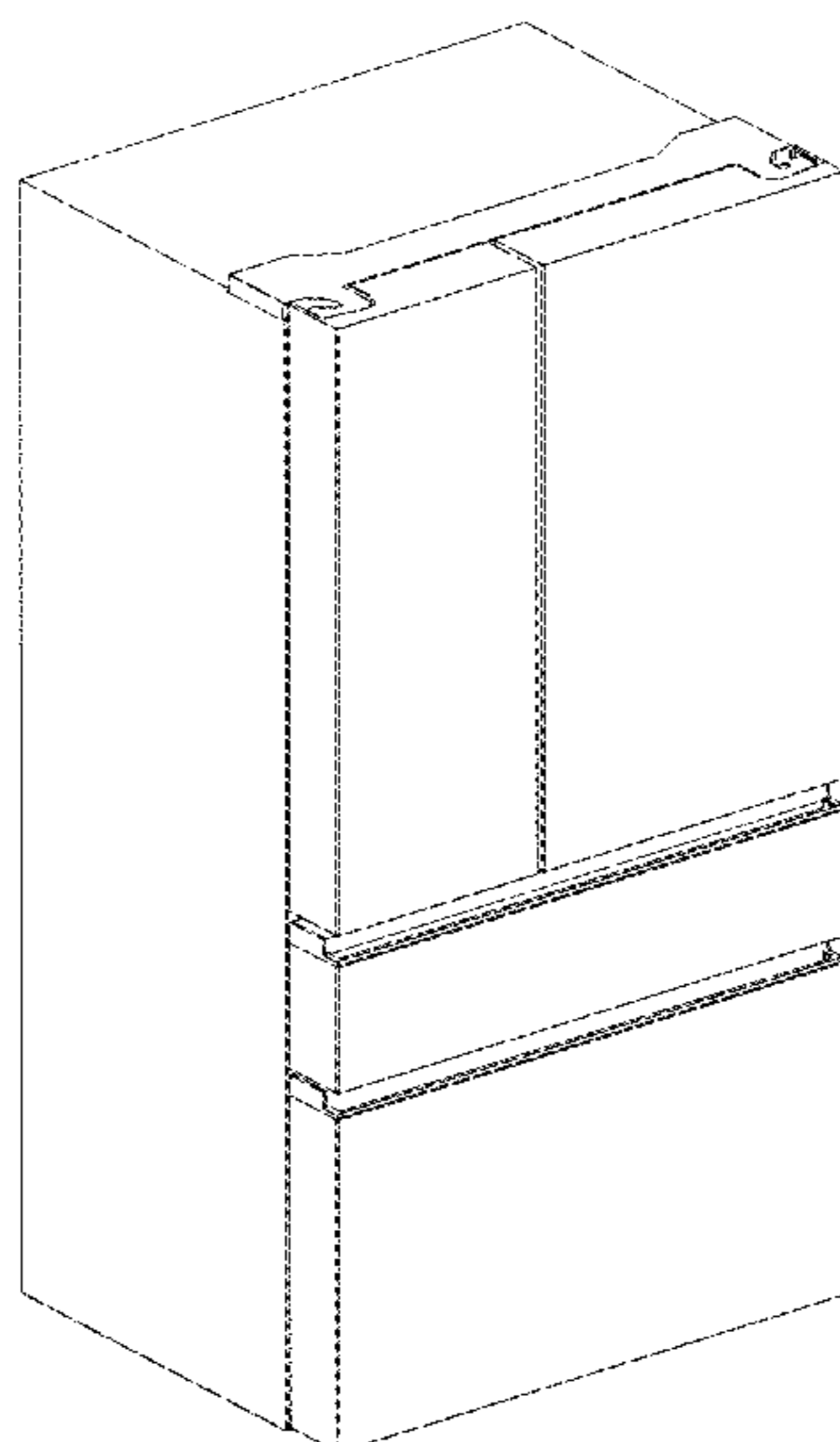
(57) **CLAIM**

The ornamental design for a refrigerator, as shown and described.

DESCRIPTION

FIG. 1 is a front perspective view of a refrigerator showing our new design;
FIG. 2 is a front view thereof;
FIG. 3 is a left side view thereof;
FIG. 4 is a right side view thereof;
FIG. 5 is a top view thereof;
FIG. 6 is a front perspective view of a second embodiment of a refrigerator;
FIG. 7 is a front view thereof;
FIG. 8 is a left side view thereof;
FIG. 9 is a right side view thereof; and,
FIG. 10 is a top view thereof.
The broken lines depicting the ice dispenser of the refrigerator in FIGS. 6-7 form no part of the claimed design.

1 Claim, 10 Drawing Sheets



(58) **Field of Classification Search**

CPC .. F25D 11/00; F25D 17/065; F25D 2325/022;
 F25D 23/069; F25D 25/025; F25D 11/02;
 F25D 17/062; F25D 21/12; F25D 21/125;
 F25D 21/14; F25D 2317/061; F25D
 2317/067; F25D 2323/021; F25D
 2323/024; F25D 23/028; F25D 23/04;
 F25D 23/066; F25D 23/085; F25D
 23/087; F25D 23/126; F25D 2400/02;
 F25D 2400/06; F25D 2400/361; F25D
 2400/40; F25D 25/005; F25D 25/02;
 F25D 2600/02; F25D 2700/02; F25D
 2700/12; F25D 2700/121; F25D 2700/14;
 F25D 29/00

See application file for complete search history.

(56) **References Cited**

U.S. PATENT DOCUMENTS

| | | | | | | |
|------------|---------|--------------------|------------|-----------|-----------------|--------|
| D540,832 S | 4/2007 | Wang et al. | D714,364 S | 9/2014 | Jeon et al. | |
| D542,812 S | 5/2007 | Mori | D714,365 S | 9/2014 | Jeon et al. | |
| D578,555 S | 10/2008 | Yeo et al. | D714,367 S | 9/2014 | Jeon et al. | |
| D594,886 S | 6/2009 | Wang et al. | D714,839 S | 10/2014 | Jeon et al. | |
| D601,596 S | 10/2009 | Yoon et al. | D714,843 S | 10/2014 | Jeon et al. | |
| D613,778 S | 4/2010 | Kristiansen et al. | D714,844 S | 10/2014 | Jeon et al. | |
| D614,209 S | 4/2010 | Kristiansen et al. | D724,113 S | 3/2015 | Seo et al. | |
| D615,109 S | 5/2010 | Yang et al. | D724,114 S | 3/2015 | Jeon et al. | |
| D615,565 S | 5/2010 | Kristiansen et al. | D726,785 S | 4/2015 | Hwang et al. | |
| D616,000 S | 5/2010 | Yang et al. | D726,786 S | 4/2015 | Hwang et al. | |
| D616,001 S | 5/2010 | Yang et al. | D727,375 S | 4/2015 | You et al. | |
| D625,342 S | 10/2010 | Seo et al. | D728,644 S | 5/2015 | Hwang et al. | |
| D629,021 S | 12/2010 | Cho et al. | D729,284 S | 5/2015 | Kwak et al. | |
| D629,022 S | 12/2010 | Cho et al. | D729,285 S | 5/2015 | Seo et al. | |
| D631,491 S | 1/2011 | Kristiansen et al. | D729,286 S | 5/2015 | Kwak et al. | |
| D632,708 S | 2/2011 | Seo et al. | D730,413 S | 5/2015 | Jeon et al. | |
| D633,114 S | 2/2011 | Seo et al. | D730,414 S | 5/2015 | Hwang et al. | |
| D641,384 S | 7/2011 | Yang et al. | D734,373 S | 7/2015 | Hwang et al. | |
| D647,927 S | 11/2011 | Lee et al. | D735,782 S | 8/2015 | Hwang et al. | |
| D655,321 S | 3/2012 | Lee et al. | D739,447 S | 9/2015 | Seo et al. | |
| D657,804 S | 4/2012 | Lee et al. | D740,335 S | 10/2015 | Hwang et al. | |
| D657,805 S | 4/2012 | Cho et al. | D742,431 S | 11/2015 | Seo et al. | |
| D658,215 S | 4/2012 | Seo et al. | D742,432 S | 11/2015 | Jeon et al. | |
| D660,325 S | 5/2012 | Yang et al. | D742,433 S | 11/2015 | Jeon et al. | |
| D666,635 S | 9/2012 | Jidam et al. | D742,434 S | 11/2015 | Yeo et al. | |
| D668,696 S | 10/2012 | Seo et al. | D742,437 S | 11/2015 | Choi et al. | |
| D671,151 S | 11/2012 | Seo et al. | D742,438 S | 11/2015 | Jeon et al. | |
| D671,572 S | 11/2012 | Seo et al. | D742,941 S | 11/2015 | Choi et al. | |
| D671,964 S | 12/2012 | Hong et al. | D747,368 S | 1/2016 | Kim et al. | |
| D672,375 S | 12/2012 | Lee et al. | D760,819 S | 7/2016 | Lee et al. | |
| D673,191 S | 12/2012 | Jidam et al. | D761,333 S | 7/2016 | Lee et al. | |
| D674,414 S | 1/2013 | Lee et al. | D761,334 S | 7/2016 | Lee et al. | |
| D674,415 S | 1/2013 | Lee et al. | D768,735 S | 10/2016 | Choi et al. | |
| D674,417 S | 1/2013 | Seo et al. | D768,736 S | 10/2016 | Choi et al. | |
| D674,418 S | 1/2013 | Seo et al. | D771,724 S | * 11/2016 | Jeon | D15/86 |
| D674,823 S | 1/2013 | Jidam et al. | D773,538 S | * 12/2016 | Jeon | D15/86 |
| D676,467 S | 2/2013 | Kim | D774,569 S | 12/2016 | Seo et al. | |
| D678,922 S | 3/2013 | Lee et al. | D775,674 S | 1/2017 | Seo et al. | |
| D680,138 S | 4/2013 | Seo et al. | D786,317 S | 5/2017 | Kim et al. | |
| D681,695 S | 5/2013 | Lee et al. | D786,318 S | 5/2017 | Kim et al. | |
| D684,609 S | 6/2013 | Seo et al. | D786,947 S | 5/2017 | Kim et al. | |
| D686,644 S | 7/2013 | Lee et al. | D786,948 S | 5/2017 | Lee et al. | |
| D690,329 S | 9/2013 | Seo et al. | D789,995 S | 6/2017 | Kim et al. | |
| D692,929 S | 11/2013 | Seo et al. | D791,199 S | 7/2017 | Kim et al. | |
| D698,374 S | 1/2014 | Jeon et al. | D794,685 S | 8/2017 | Wang et al. | |
| D702,739 S | 4/2014 | Kim | D798,342 S | * 9/2017 | Kim | D15/86 |
| D703,244 S | 4/2014 | Seo et al. | D798,343 S | 9/2017 | Kwon et al. | |
| D703,245 S | 4/2014 | Seo et al. | D798,344 S | 9/2017 | Kim et al. | |
| D710,402 S | 8/2014 | Jeon et al. | D803,279 S | 11/2017 | Cho et al. | |
| D711,435 S | 8/2014 | Boo et al. | D806,763 S | 1/2018 | Cho et al. | |
| D711,934 S | 8/2014 | Boo et al. | D807,410 S | 1/2018 | Cho et al. | |
| D711,935 S | 8/2014 | Lee et al. | D810,154 S | 2/2018 | Lee et al. | |
| D711,942 S | 8/2014 | Jeon et al. | D814,533 S | 4/2018 | Kim et al. | |
| D713,862 S | 9/2014 | Lee et al. | D825,623 S | 8/2018 | Jeon et al. | |
| D714,360 S | 9/2014 | Seo et al. | D825,624 S | 8/2018 | Kwon et al. | |
| D714,363 S | 9/2014 | Jeon et al. | D826,295 S | 8/2018 | Lee | |
| | | | D826,997 S | * 8/2018 | Lee | D15/91 |
| | | | D826,998 S | * 8/2018 | Lee | D15/91 |
| | | | D827,683 S | * 9/2018 | Jeon | D15/85 |
| | | | D829,246 S | 9/2018 | Ammerman et al. | |
| | | | D832,312 S | 10/2018 | Kim et al. | |
| | | | D835,688 S | 12/2018 | Lee et al. | |
| | | | D836,683 S | * 12/2018 | Jeon | D15/86 |
| | | | D837,840 S | * 1/2019 | Choi | D15/81 |
| | | | D837,841 S | * 1/2019 | Choi | D15/81 |
| | | | D838,297 S | 1/2019 | Choi et al. | |
| | | | D838,299 S | 1/2019 | Lee et al. | |
| | | | D839,325 S | 1/2019 | Lee et al. | |
| | | | D840,444 S | 2/2019 | Kim et al. | |
| | | | D841,058 S | 2/2019 | Lee et al. | |
| | | | D841,060 S | * 2/2019 | Jeon | D15/91 |
| | | | D841,700 S | 2/2019 | Lee et al. | |
| | | | D844,679 S | 4/2019 | Kim et al. | |
| | | | D850,498 S | * 6/2019 | Kim | D15/86 |
| | | | D873,310 S | * 1/2020 | Huang | D15/86 |
| | | | D880,544 S | 4/2020 | Kim et al. | |

(56)

References Cited

U.S. PATENT DOCUMENTS

D888,110 S * 6/2020 Lee D15/85
 D892,871 S * 8/2020 Lee D15/79

FOREIGN PATENT DOCUMENTS

| | | | |
|----|----------------|---|---------|
| AU | 201711058 | S | 3/2017 |
| AU | 201711060 | S | 3/2017 |
| AU | 201711066 | S | 3/2017 |
| BR | 302017000561-6 | | 11/2017 |
| BR | 302017000563-2 | | 11/2017 |
| BR | 302017000565-9 | | 11/2017 |
| CN | 301380420 | S | 11/2010 |
| CN | 301410642 | S | 12/2010 |
| CN | 301426397 | S | 12/2010 |
| CN | 301452137 | S | 1/2011 |
| CN | 303114098 | | 2/2015 |
| CN | 303127471 | S | 3/2015 |
| CN | 303143985 | S | 3/2015 |
| CN | 303143996 | | 3/2015 |
| CN | 303207947 | | 5/2015 |
| CN | 303207964 | | 5/2015 |
| CN | 303207967 | S | 5/2015 |
| CN | 303339295 | S | 8/2015 |
| CN | 303348485 | | 8/2015 |
| CN | 303348490 | | 8/2015 |
| CN | 303387673 | S | 9/2015 |
| CN | 303467175 | S | 11/2015 |
| CN | 303467177 | | 11/2015 |
| CN | 303467200 | | 11/2015 |
| CN | 303521116 | S | 12/2015 |
| CN | 303551566 | | 1/2016 |
| CN | 303551596 | | 1/2016 |
| CN | 303605846 | S | 3/2016 |
| CN | 303623204 | | 3/2016 |
| CN | 303628527 | S | 3/2016 |
| CN | 303702178 | S | 6/2016 |
| CN | 303739559 | S | 7/2016 |
| CN | 303997030 | | 1/2017 |
| CN | 304073599 | S | 3/2017 |
| CN | 304139394 | S | 5/2017 |
| CN | 304228542 | S | 8/2017 |
| CN | 304241188 | | 8/2017 |
| CN | 304270897 | | 9/2017 |
| CN | 304386874 | | 12/2017 |
| CN | 304514671 | | 2/2018 |
| CN | 304572387 | | 4/2018 |
| EM | 001292940-0005 | | 9/2011 |
| JP | 1597515 | S | 2/2018 |
| TW | D114183 | S | 12/2006 |
| TW | D173078 | S | 1/2016 |
| TW | D183628 | S | 6/2017 |
| WO | D089484-001 | | 5/2016 |
| WO | DM090679 | | 5/2016 |
| WO | DM093519 | | 11/2016 |
| WO | D094553 | | 2/2017 |
| WO | DM095787 | | 4/2017 |
| WO | D091378-001 | | 6/2017 |
| WO | D094858-001 | | 8/2017 |

OTHER PUBLICATIONS

“French Door refrigerator from Samsung”; Appliance News; retrieved Mar. 11, 2019; published Jul. 8, 2010; URL: <<http://appliancist.com/cooling/refrigerators/french-door-refrigerator-samsung-rf4287.html>>.
 “LG Studio Series refrigerator with double drawer freezer”; Appliance News; retrieved Mar. 11, 2019; published Mar. 1, 2011; URL: <<http://appliancist.com/cooling/refrigerators/lg-studio-series-french-door-refrigerator-lsmx214st.html>>.
 “Maytag French Door refrigerator, the Ice2O Easy Access”; Appliance News; retrieved Mar. 11, 2019; published Aug. 23, 2010; URL: <<http://appliancist.com/cooling/refrigerators/maytag-french-door-refrigerator-ice2o-easy-access.html>>.

“LG Door-in-Door refrigerators”; Appliance News; retrieved Apr. 3, 2019; published Apr. 4, 2014; URL: <<http://appliancist.com/cooling/refrigerators/lg-door-in-door-refrigerators.html>>.
 “Kuppersbusch American Style refrigerator”; Appliance News; retrieved Apr. 3, 2019; published Oct. 24, 2013; URL: <<http://appliancist.com/cooling/refrigerators/kuppersbusch-american-style-refrigerator-ke-9700-0-2tz.html>>.
 “LMXS30776D Refrigerator”, LG, retrieved Jul. 31, 2020, disclosure date unknown but prior to Aug. 17, 2018, URL: <<https://www.lg.com/us/refrigerators/lg-LMXS30776D-french-4-door-refrigerator#>>>.
 “LMNS14420V Refrigerator”, LG, retrieved Jul. 31, 2020, disclosure date unknown but prior to Aug. 17, 2018, URL: <<https://www.lg.com/us/refrigerators/lg-LMNS14420V-french-4-door-refrigerator#>>>.
 “LMXS28626D Refrigerator”, LG, retrieved Jul. 31, 2020, disclosure date unknown but prior to Aug. 17, 2018, URL: <<https://www.lg.com/us/refrigerators/lg-LMXS28626D-french-4-door-refrigerator#>>>.
 Picture of French Door Refrigerator by Maytag, 1 color sheet of photograph, disclosure date unknown but prior to Aug. 17, 2018.
 “LNXS30996D Refrigerator”, LG, retrieved Jul. 14, 2020, disclosure date unknown but prior to Aug. 17, 2018, URL: <<https://www.lg.com/us/refrigerators/lg-LNXS30996D-door-in-door#>>>.
 “LUPXC2386N Refrigerator”, LG, retrieved Jul. 14, 2020, disclosure date unknown but prior to Aug. 17, 2018, URL: <<https://www.lg.com/us/refrigerators/lg-LUPXC2386N-instaview-counter-depth-refrigerator-lgsignature#>>>.
 “LPXS30866D Refrigerator”, LG, retrieved Jul. 14, 2020, disclosure date unknown but prior to Aug. 17, 2018, URL: <<https://www.lg.com/us/refrigerators/lg-LPXS30866D-french-4-door-refrigerator#>>>.
 “LNXC23766D Refrigerator”, LG, retrieved Jul. 14, 2020, disclosure date unknown but prior to Aug. 17, 2018, URL: <<https://www.lg.com/us/refrigerators/lg-LNXC23766D-door-in-door#>>>.
 “28 Cu. Ft. Food Showcase 4-Door Flex Refrigerator With Flexzone in Black Stainless Steel”, Samsung, retrieved Jul. 14, 2020, disclosure date unknown but prior to Aug. 17, 2018, URL: <<https://www.samsung.com/us/home-appliances/refrigerators/4-door-flex/36-wide-x-72-high-28-cu-ft-capacity-4-door-flex-food-showcase-refrigerator-with-flexzone-black-stainless-steel-rf28k9380sg-aa#>>>.
 Picture of French Door Refrigerator by LG, 1 color sheet of photograph, disclosure date unknown but prior to Aug. 17, 2018.
 Picture of French Door Refrigerator 2 by LG, 1 color sheet of photograph, disclosure date unknown but prior to Aug. 17, 2018.
 Picture of French Door Refrigerator 3 by LG, 1 color sheet of photograph, disclosure date unknown but prior to Aug. 17, 2018.
 Picture of French Door Refrigerator 4 by LG, 1 color sheet of photograph, disclosure date unknown but prior to Aug. 17, 2018.
 Picture of French Door Refrigerator 5 by LG, 1 color sheet of photograph, disclosure date unknown but prior to Aug. 17, 2018.
 “WRX735SDHV Refrigerator”, Whirlpool, retrieved Jul. 31, 2020, disclosure date unknown but prior to Aug. 17, 2018, URL: <<https://www.whirlpool.com/kitchen/refrigeration/refrigerators/french-door/p.36-inch-wide-french-door-refrigerator-25-cu.-ft.wrx735sdhv.html#>>>.
 “WRX986SIHV Refrigerator”, Whirlpool, retrieved Jul. 31, 2020, disclosure date unknown but prior to Aug. 17, 2018, URL: <<https://www.whirlpool.com/kitchen/kitchen-collections/fingerprint-resistant-black-stainless-steel/p.36-inch-wide-4-door-refrigerator-with-exterior-drawer-26-cu.-ft.wrx986sihv.html#>>>.
 “WRV986FDEM Refrigerator”, Whirlpool, retrieved Jul. 31, 2020, disclosure date unknown but prior to Aug. 17, 2018, URL: <<https://www.whirlpool.com/kitchen/refrigeration/refrigerators/french-door/p.26-cu.-ft.-double-drawer-refrigerator-with-dual-icemakers.wrv986fdem.html#>>>.
 “23 cu. ft. Counter Depth 4-Door French Door Freestanding Chef Collection Refrigerator in Matte Black Stainless Steel”, Samsung, retrieved Jul. 31, 2020, disclosure date unknown but prior to Aug. 17, 2018, URL: <<https://www.samsung.com/us/home-appliances/>>.

(56)

References Cited

OTHER PUBLICATIONS

refrigerators/4-door-french-door/23-cu-ft-capacity-counter-depth-4-door-french-door-36-freestanding-chef-collection-refrigerator-rf23m8960mt-aa/>.

“22 cu. ft. Family Hub™ Counter Depth 4-Door French Door Refrigerator in Black Stainless Steel”, Samsung, retrieved Jul. 31, 2020, disclosure date unknown but prior to Aug. 17, 2018, URL: <https://www.samsung.com/us/home-appliances/refrigerators/4-door-french-door/22-cu-ft-capacity-counter-depth-4-door-french-door-refrigerator-with-family-hub-2-0-and-recessed-handles-rf23m8570sg-aa/>>.

“25 cu. ft. 4 Door French Door Refrigerator in Stainless Steel”, Samsung, retrieved Jul. 31, 2020, disclosure date unknown but prior to Aug. 17, 2018, URL: <<https://www.samsung.com/us/home-appliances/refrigerators/4-door-french-door/28-cu-ft-4-door-french-door-refrigerator-in-fingerprint-resistant-stainless-steel-rf28r7201sr-aa/>>.

“23 cu. ft. Counter Depth 4-Door French Door Refrigerator with Polygon Handles in Black Stainless Steel”, Samsung, retrieved Jul. 31, 2020, disclosure date unknown but prior to Aug. 17, 2018, URL: <<https://www.samsung.com/us/home-appliances/refrigerators/4-door-french-door/23-cu-ft-capacity-counter-depth-4-door-french-door-refrigerator-with-polygon-handles-rf23m8090sg-aa/>>.

Picture of 4 Door French Door Refrigerator by Samsung, 1 color sheet of photograph, disclosure date unknown but prior to Aug. 17, 2018.

Picture of 4 Door French Door Refrigerator 2 by Samsung, 1 color sheet of photograph, disclosure date unknown but prior to Aug. 17, 2018.

Picture of 4 Door French Door Refrigerator 3 by Samsung, 1 color sheet of photograph, disclosure date unknown but prior to Aug. 17, 2018.

Picture of 4 Door French Door Refrigerator 4 by Samsung, 1 color sheet of photograph, disclosure date unknown but prior to Aug. 17, 2018.

Picture of 4 Door French Door Refrigerator 5 by Samsung, 1 color sheet of photograph, disclosure date unknown but prior to Aug. 17, 2018.

Picture of 4 Door French Door Refrigerator 6 by Samsung, 1 color sheet of photograph, disclosure date unknown but prior to Aug. 17, 2018.

Picture of 4 Door French Door Refrigerator 7 by Samsung, 1 color sheet of photograph, disclosure date unknown but prior to Aug. 17, 2018.

Picture of 4 Door French Door Refrigerator 8 by Samsung, 1 color sheet of photograph, disclosure date unknown but prior to Aug. 17, 2018.

* cited by examiner

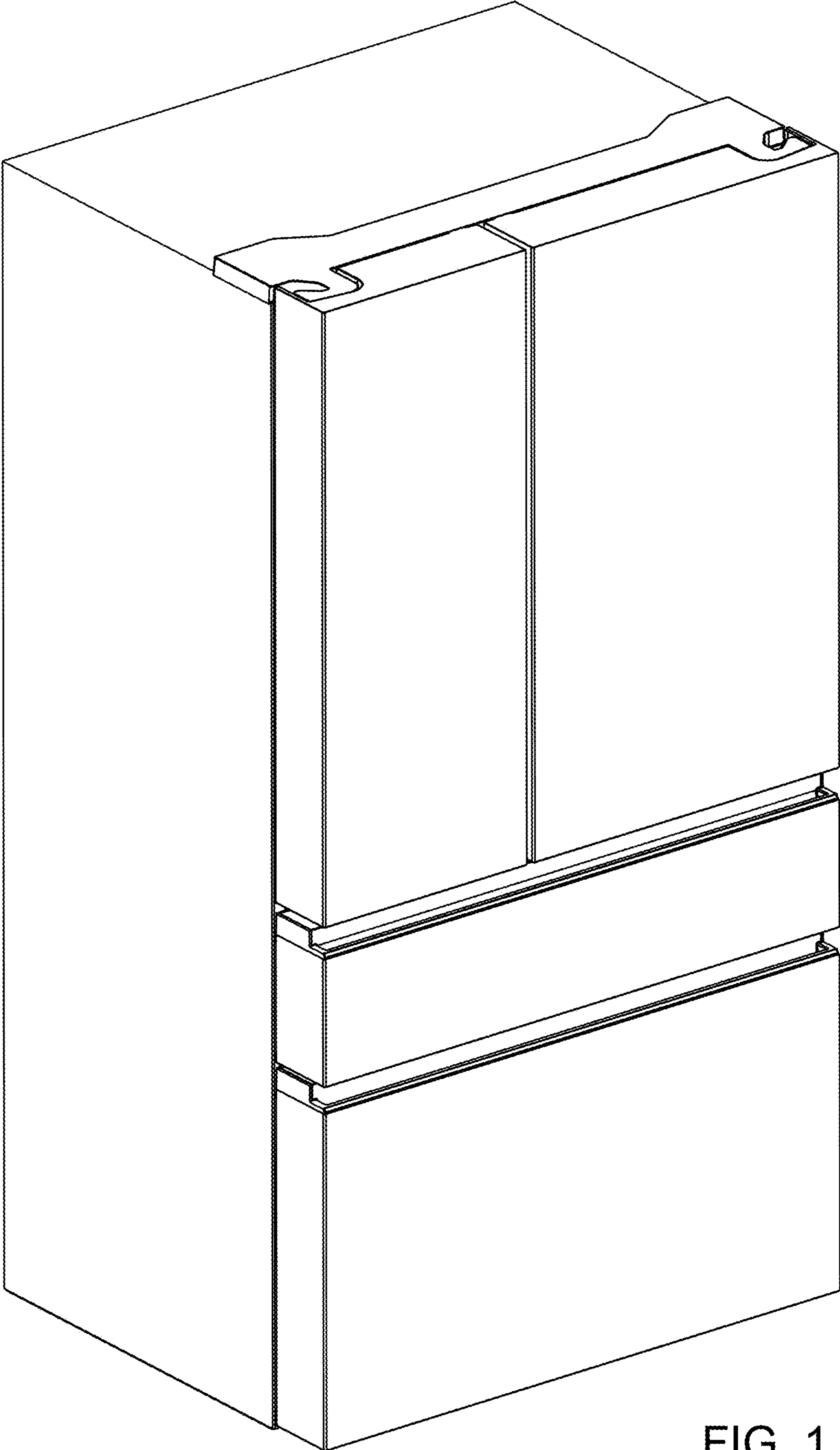


FIG. 1

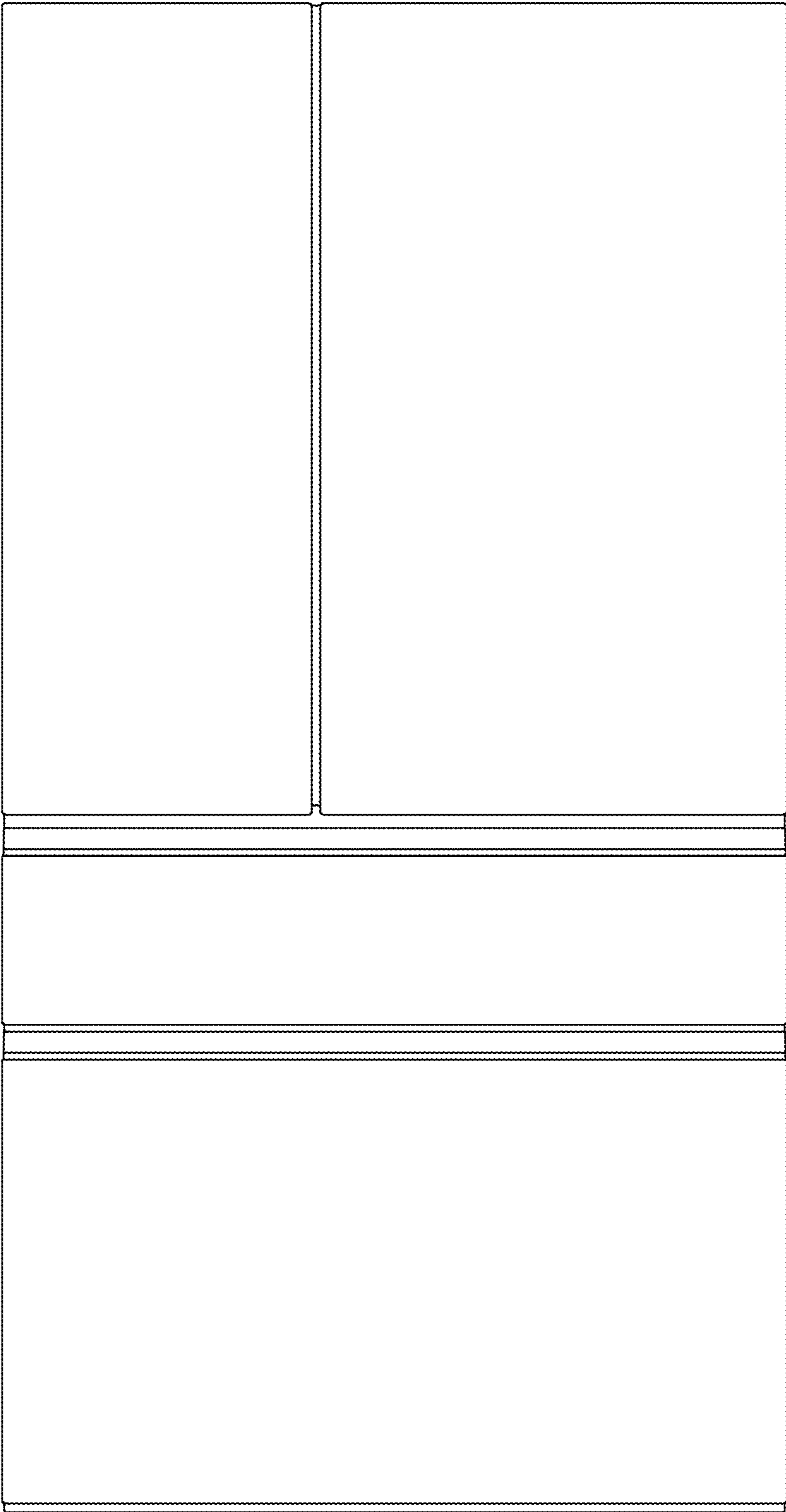


FIG. 2

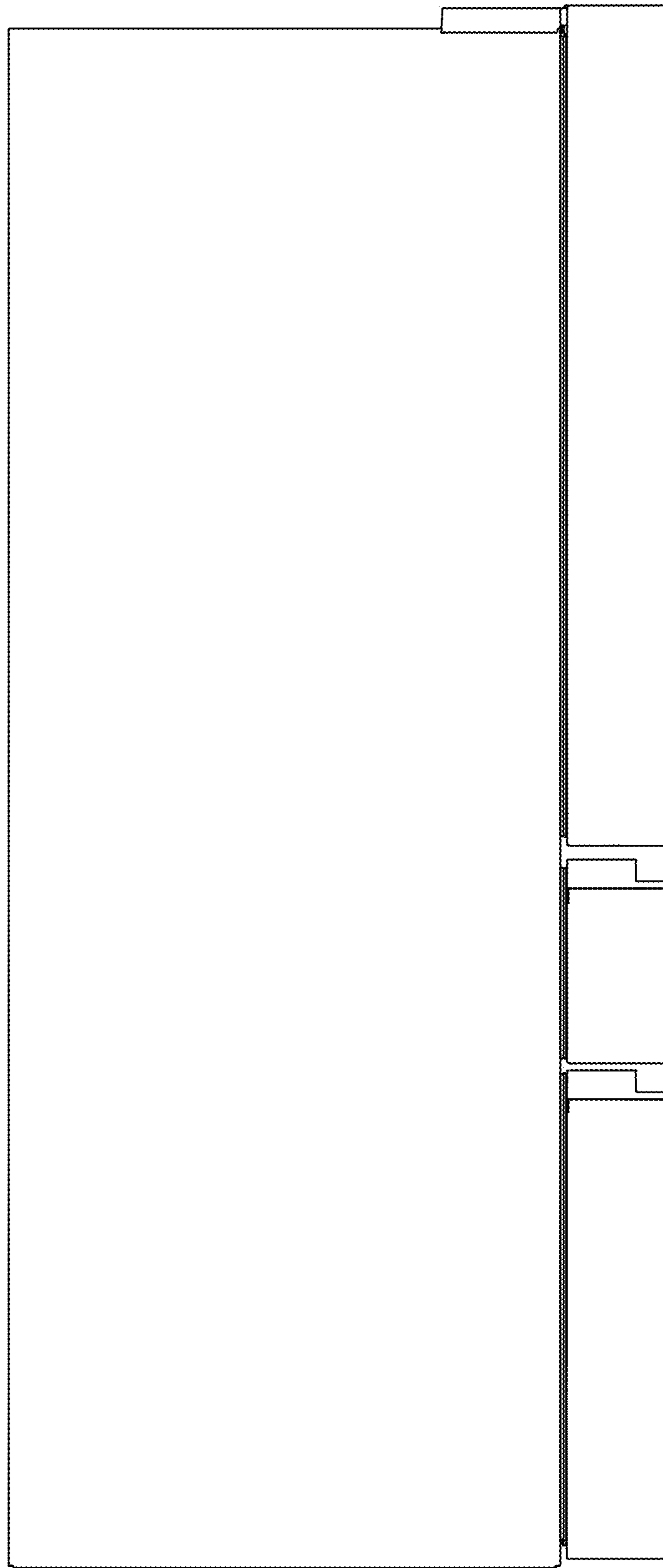


FIG. 3

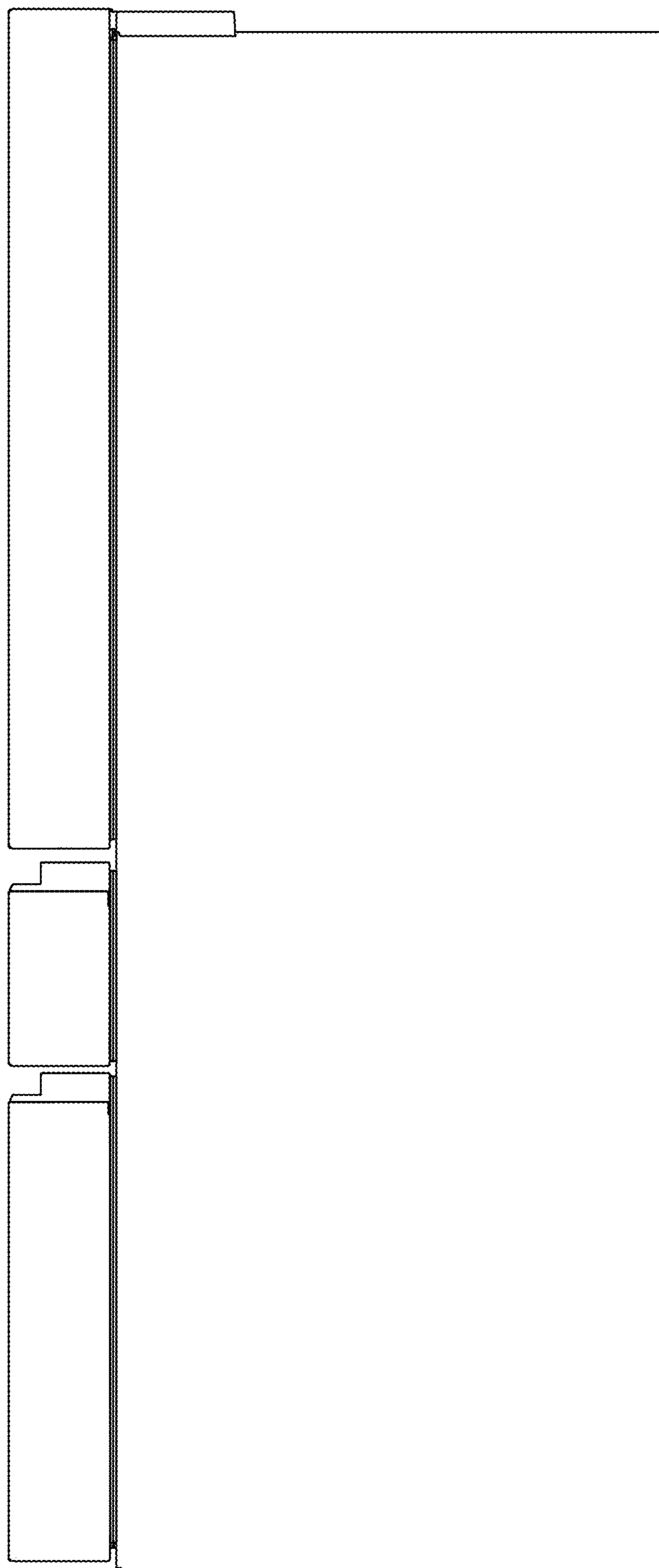


FIG. 4

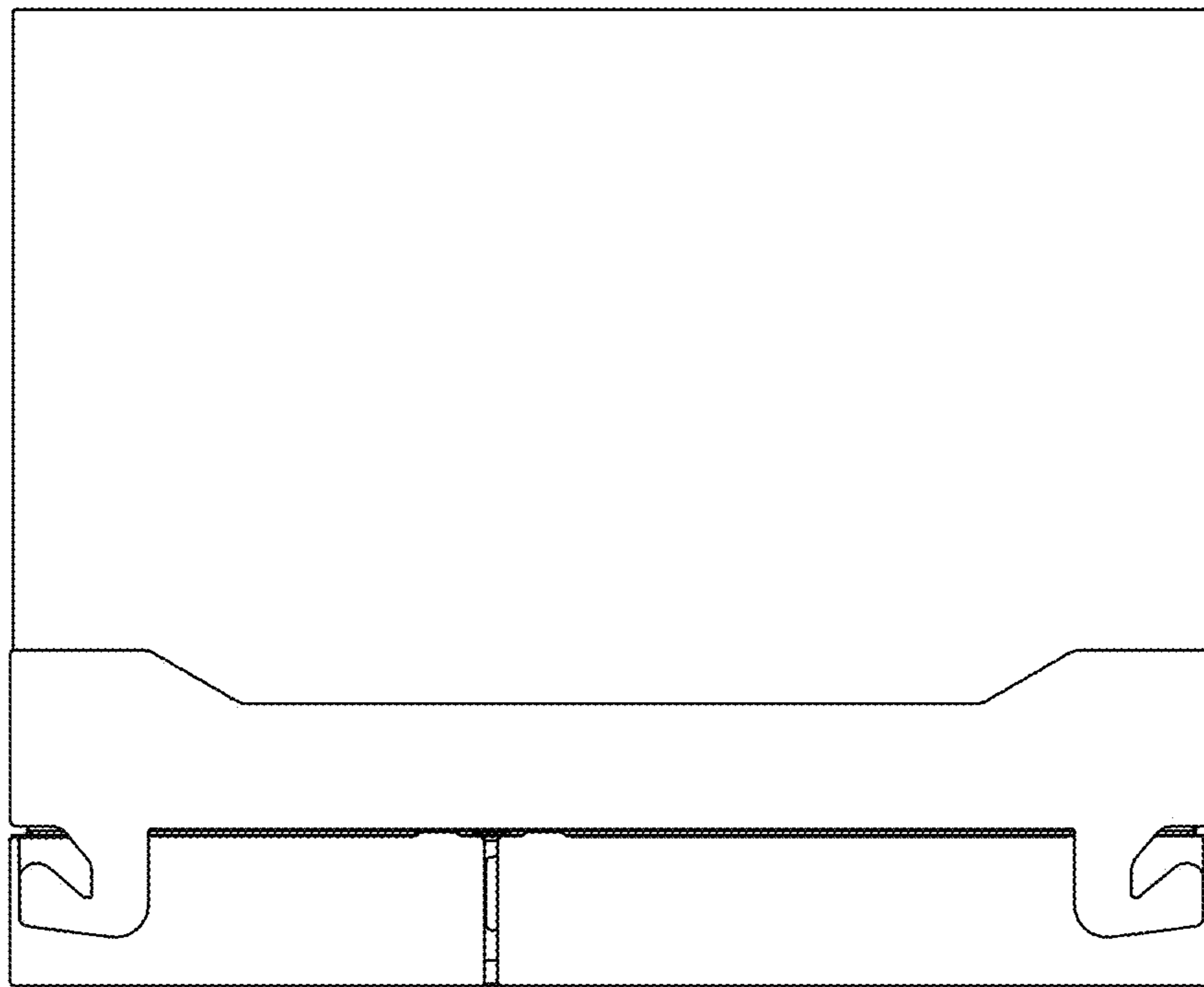


FIG. 5

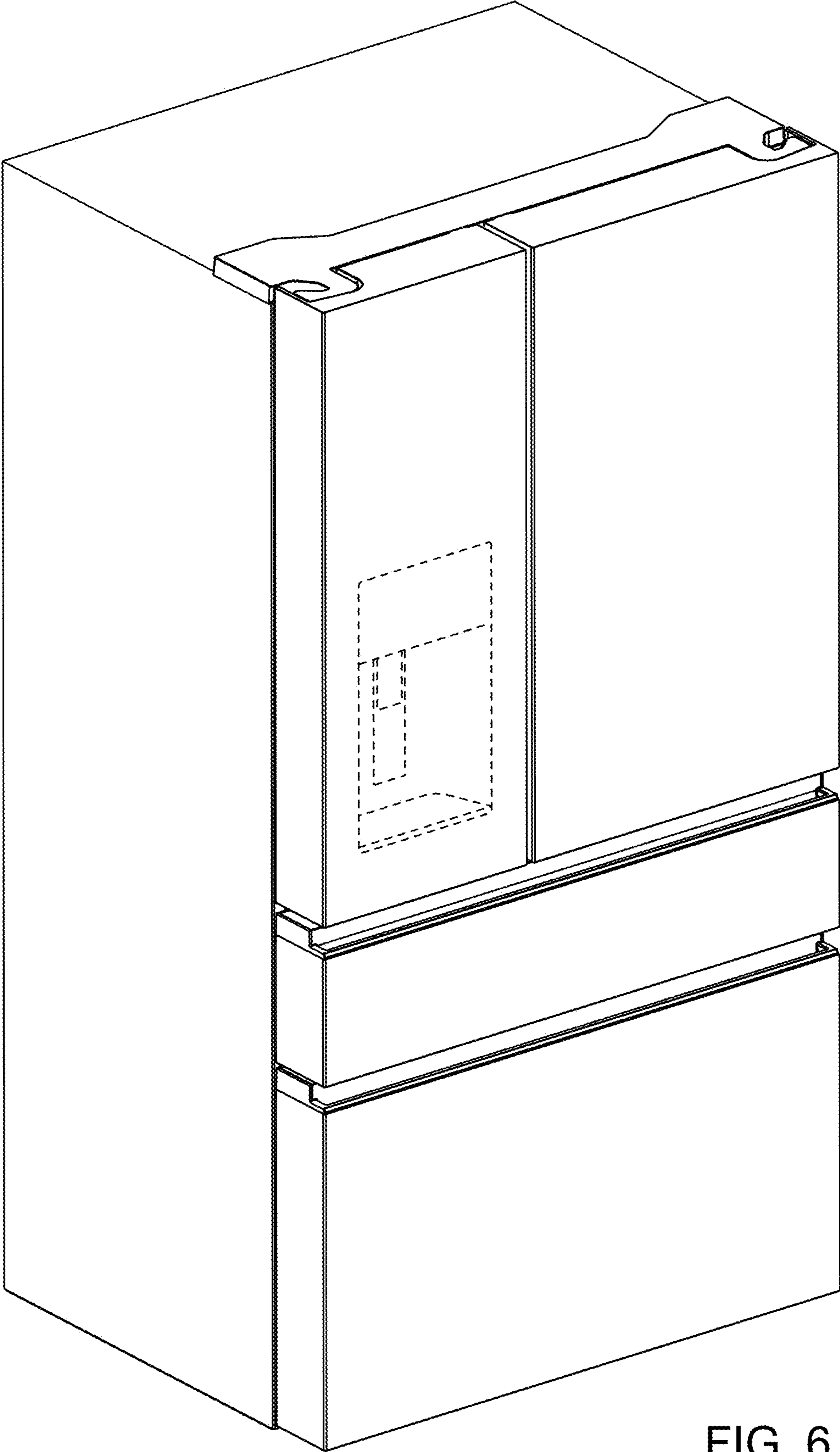


FIG. 6

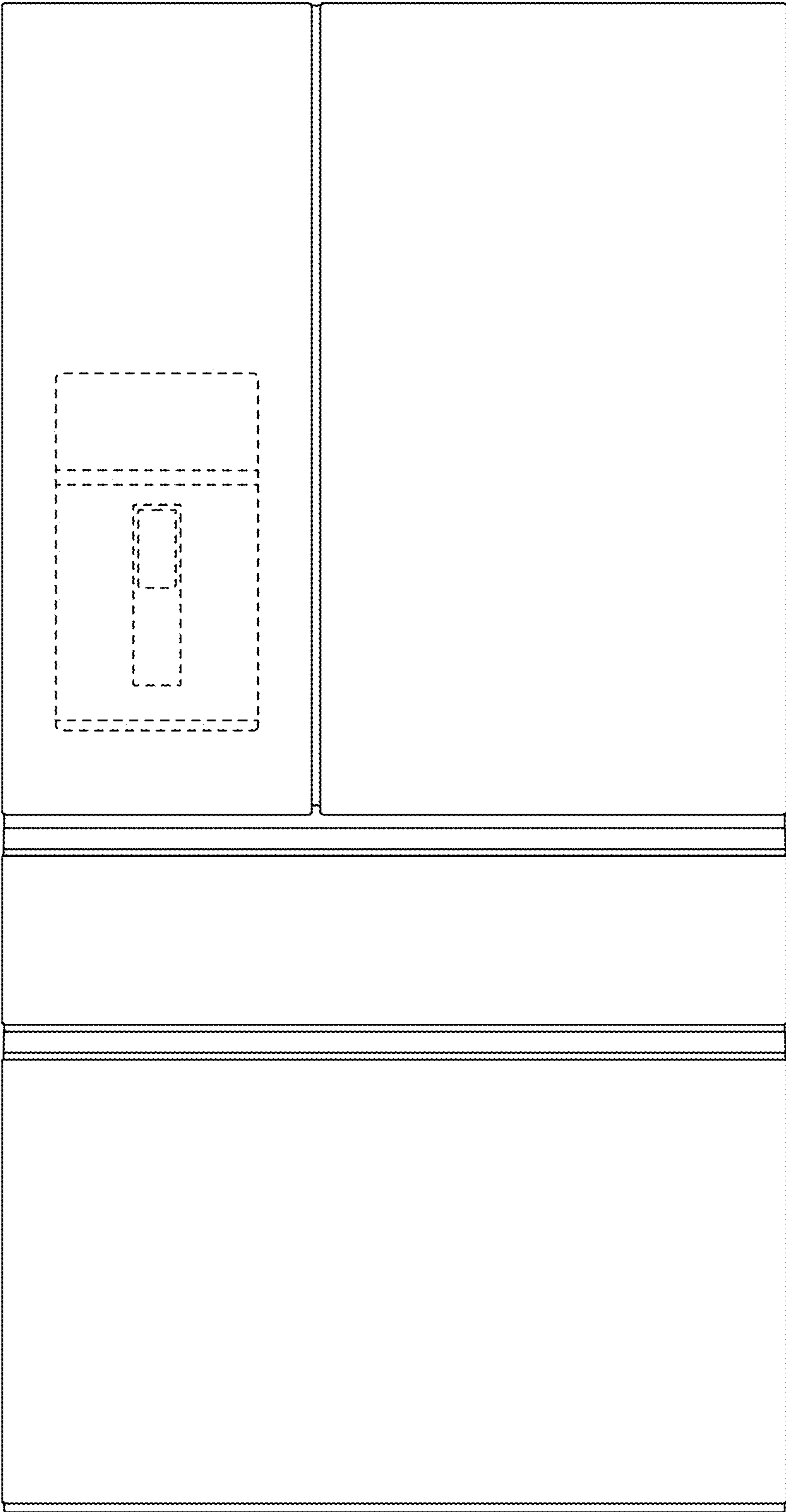


FIG. 7

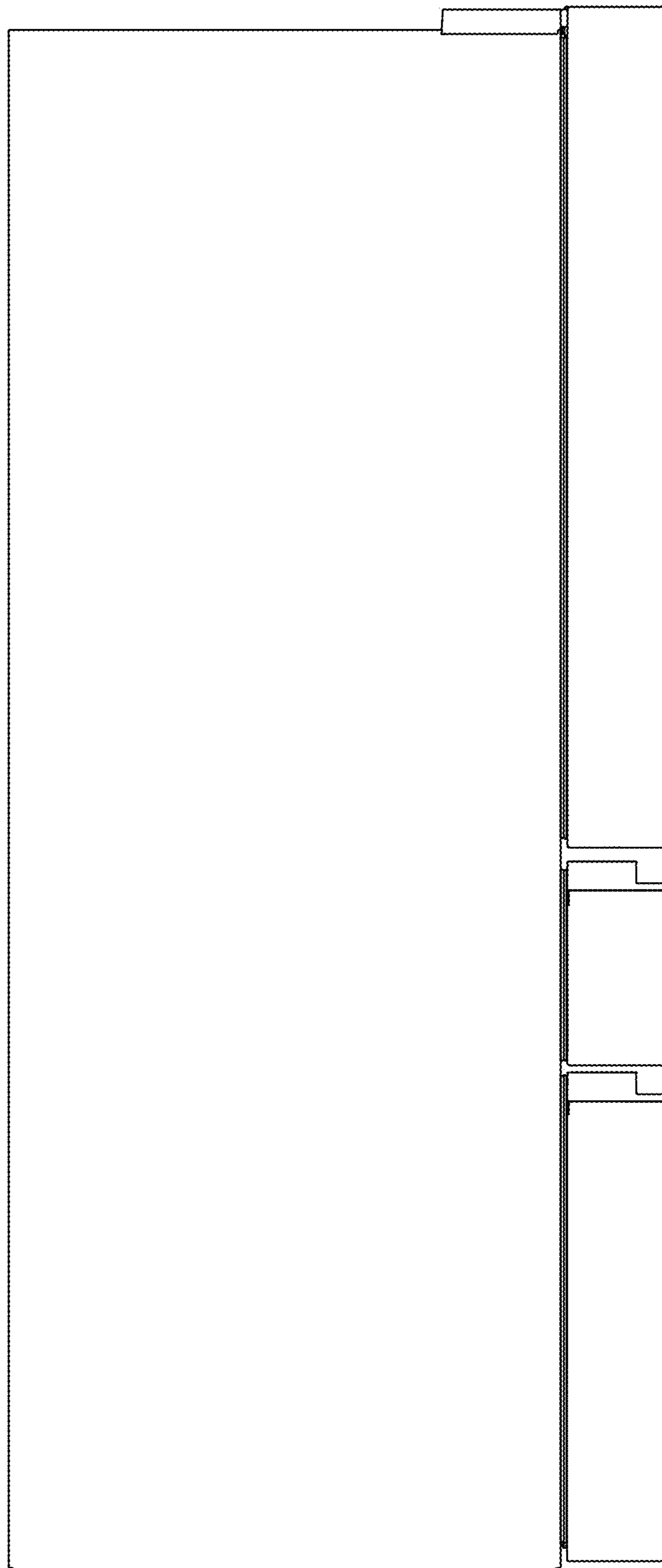


FIG. 8

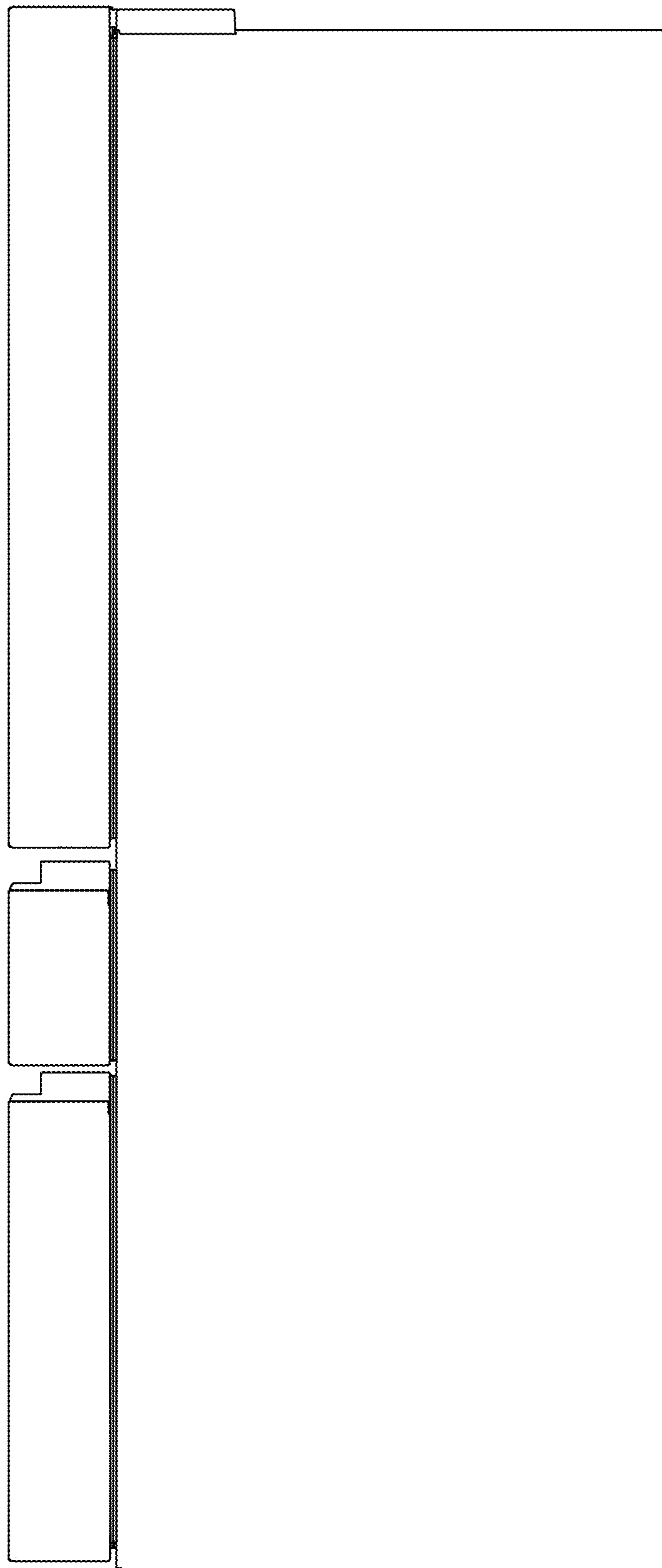


FIG. 9

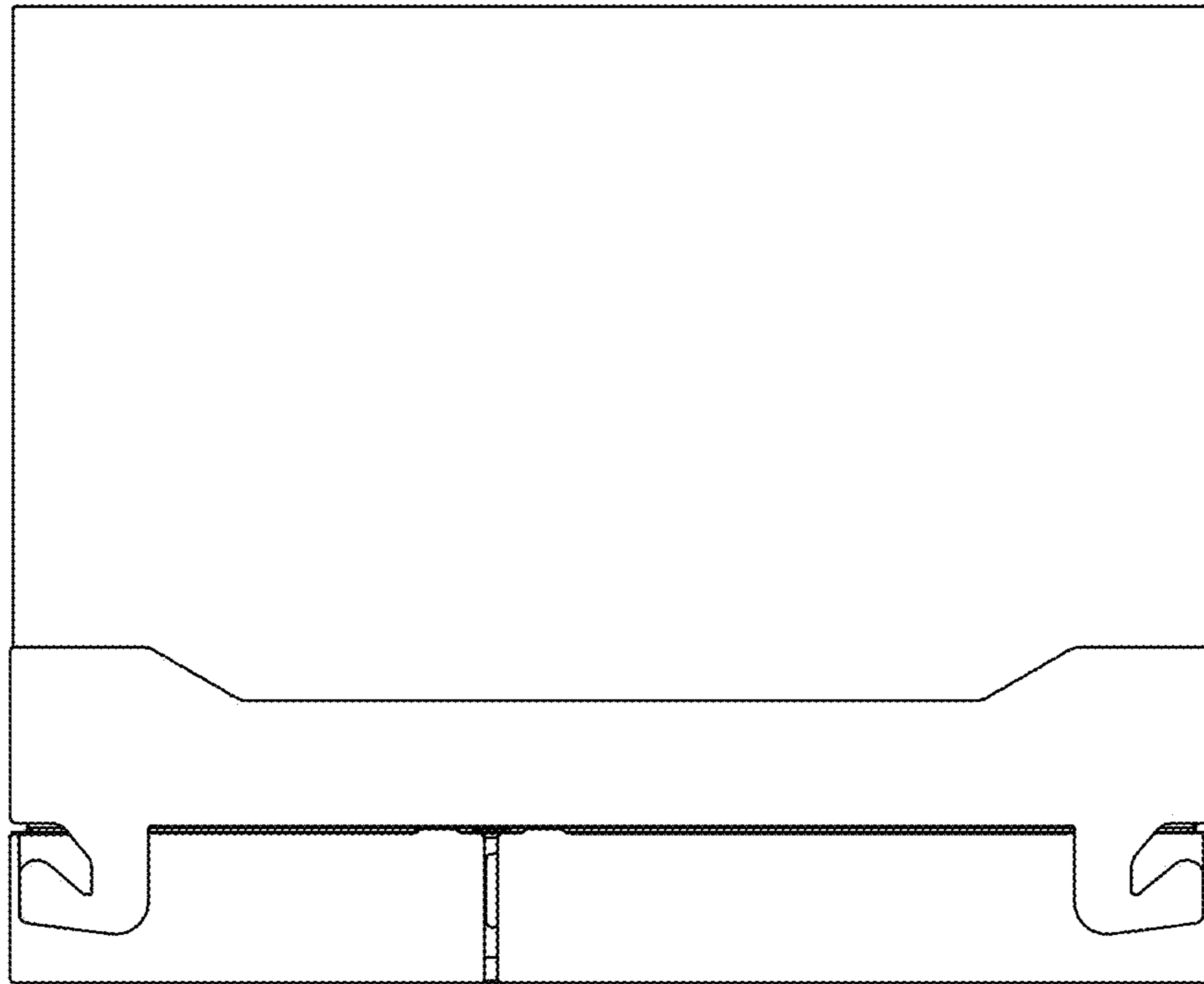


FIG. 10