



US00D957478S

(12) **United States Design Patent**  
**Choi et al.**

(10) **Patent No.:** **US D957,478 S**  
(45) **Date of Patent:** **\*\* Jul. 12, 2022**

(54) **REFRIGERATOR**

- (71) Applicant: **Samsung Electronics Co., Ltd.**,  
Suwon-si (KR)
- (72) Inventors: **Junhyuck Choi**, Suwon-si (KR);  
**Seungji Mun**, Suwon-si (KR)
- (73) Assignee: **Samsung Electronics Co., Ltd.**,  
Suwon-si (KR)

- (\*\*) Term: **15 Years**
- (21) Appl. No.: **29/733,175**
- (22) Filed: **Apr. 30, 2020**

(30) **Foreign Application Priority Data**

Jan. 31, 2020 (KR) ..... 30-2020-0004384

(51) **LOC (13) Cl.** ..... **15-07**

(52) **U.S. Cl.**  
USPC ..... **D15/79; D15/81**

(58) **Field of Classification Search**

USPC ..... D15/79-91; 312/112-119, 236, 352,  
312/400-408; 62/3.1, 3.6, 3.63, 3.64,  
62/293, 371, 400, 467, 529, 531, 457.9  
CPC .. F25D 23/028; F25D 2323/024; F25D 23/00;  
F25D 23/02; F25D 2323/021; F25D  
23/065; F25D 11/00; F25D 2201/14;  
F25D 23/021; F25D 23/025; F25D 23/04;  
F25D 27/00; F25D 23/062; F25D 23/067;  
F25D 2400/18; F25D 23/08; F25D  
23/085; F25D 2500/02; F25D 25/00;  
F25D 25/005; F25D 25/022; F25D  
25/024; F25D 17/047; F25D 2317/041;  
F25D 2317/04131; F25D 2317/043; F25D  
2317/0664; F25D 2321/147; F25D  
2323/02; F25D 2323/023;

(Continued)

(56) **References Cited**

**U.S. PATENT DOCUMENTS**

- D166,715 S \* 5/1952 Sandin ..... D15/88
- D176,840 S \* 2/1956 Dalley ..... D15/83
- D239,490 S \* 4/1976 Pellegrini ..... D15/83

(Continued)

**FOREIGN PATENT DOCUMENTS**

- CN 201730003702 6/2017
- CN 2017300282924 8/2017

(Continued)

**OTHER PUBLICATIONS**

Roll Bar—Mobile Refrigerator [online] URL: <https://www.thegreenhead.com/2005/10/roll-bar-mobilerefrigerator.php> (site visited: Oct. 2021) (Year: 2005).\*

(Continued)

*Primary Examiner* — Jae Liang  
*Assistant Examiner* — Tia Ruth-Renee Polidori

(74) *Attorney, Agent, or Firm* — NSIP Law

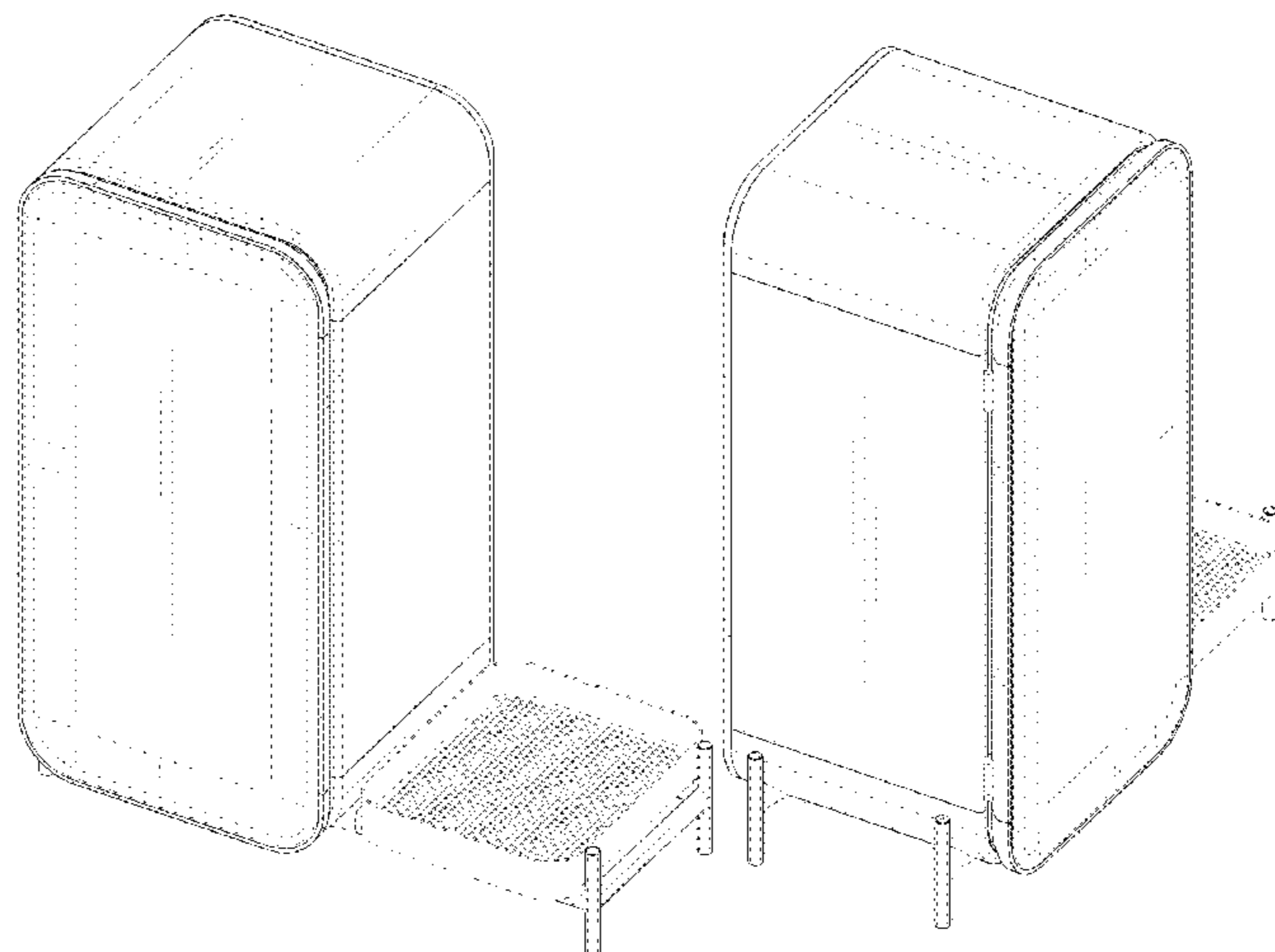
(57) **CLAIM**

We claim the ornamental design for a refrigerator, as shown and described.

**DESCRIPTION**

FIG. 1 is a front perspective view of a refrigerator showing our new design;  
 FIG. 2 is a front view thereof;  
 FIG. 3 is a rear view thereof;  
 FIG. 4 is a left-side view thereof;  
 FIG. 5 is a right-side view thereof;  
 FIG. 6 is a top view thereof;  
 FIG. 7 is a bottom view thereof; and,  
 FIG. 8 is another front perspective view thereof.  
 The broken lines in the drawings depict portions of the refrigerator that form no part of the claimed design. The dot-dash broken lines represent a boundary of the claimed design and form no part thereof.

**1 Claim, 8 Drawing Sheets**



(58) **Field of Classification Search**  
 CPC ..... F25D 2400/12; F25D 2325/021; F25D  
 2325/00; F25D 23/12; F25D 23/10  
 See application file for complete search history.

2017/0067682 A1\* 3/2017 Spinks ..... H02S 20/30  
 2017/0314845 A1\* 11/2017 Tang ..... H04R 1/2807  
 2019/0316834 A1\* 10/2019 Hixon ..... F25D 23/12  
 2020/0256607 A1\* 8/2020 McKinnon ..... F25D 23/065

(56) **References Cited**

U.S. PATENT DOCUMENTS

D312,644 S \* 12/1990 Hase ..... D15/81  
 5,259,215 A \* 11/1993 Rocca ..... A45C 5/143  
 280/30  
 D736,272 S \* 8/2015 Stolarz ..... D15/81  
 D803,903 S \* 11/2017 Wang ..... D15/88  
 9,920,977 B1 \* 3/2018 Avila ..... F25D 3/06  
 D829,245 S \* 9/2018 Kim ..... D15/88  
 D847,874 S \* 5/2019 Kim ..... D15/81  
 D853,454 S \* 7/2019 Kim ..... D15/81  
 D886,164 S \* 6/2020 Mangiarotti ..... D15/81  
 D888,109 S \* 6/2020 Kim ..... D15/79  
 D888,111 S \* 6/2020 Lambert ..... D15/88  
 D896,856 S \* 9/2020 Zhou ..... D15/81  
 D909,431 S \* 2/2021 Kim ..... D15/79  
 D927,562 S \* 8/2021 Kong ..... D15/81  
 2005/0110377 A1\* 5/2005 Dalchau ..... F25D 23/12  
 312/401  
 2006/0065665 A1\* 3/2006 Swartfager ..... F25D 23/12  
 220/592.2  
 2006/0108902 A1\* 5/2006 Lowery ..... F25D 23/12  
 312/404  
 2016/0135559 A1\* 5/2016 Scally ..... B65D 81/3813  
 220/592.03  
 2016/0153702 A1\* 6/2016 Sexton ..... F25D 23/067  
 220/592.02

FOREIGN PATENT DOCUMENTS

CN 2017305074133 6/2018  
 CN 2017305075259 6/2018  
 CN 2017306159158 6/2018  
 CN 306098576 \* 10/2020  
 CN 306168743 \* 11/2020  
 CN 306648241 \* 6/2021  
 GB 8208467000-1000 \* 5/2020  
 GB 8208467000-2000 \* 5/2020  
 KR 301086331.0000 \* 12/2020  
 KR 301086332.0000 \* 12/2020  
 RU 00125251 \* 5/2021  
 WO WOD208467-001 \* 11/2020  
 WO WOD208467-002 \* 11/2020  
 WO WOD200397-001 \* 1/2021  
 WO WOD200397-002 \* 1/2021

OTHER PUBLICATIONS

Kegco Keg [online] URL: [\(https://www.amazon.com/dp/B07J9HR2TN?tag=aboutcom02thespruce-20&linkCode=ogi&th=1&ascsubtag=4172076%\)](https://www.amazon.com/dp/B07J9HR2TN?tag=aboutcom02thespruce-20&linkCode=ogi&th=1&ascsubtag=4172076%) (site visited: Oct. 2021) (Year: 2018).\*

Smeg [online] URL: [\(https://www.thekitchn.com/10-small-refrigerators-for-1-000-or-less-110535\)](https://www.thekitchn.com/10-small-refrigerators-for-1-000-or-less-110535) (site visited: Oct. 2021) (Year: 2020).\*

\* cited by examiner

FIG. 1

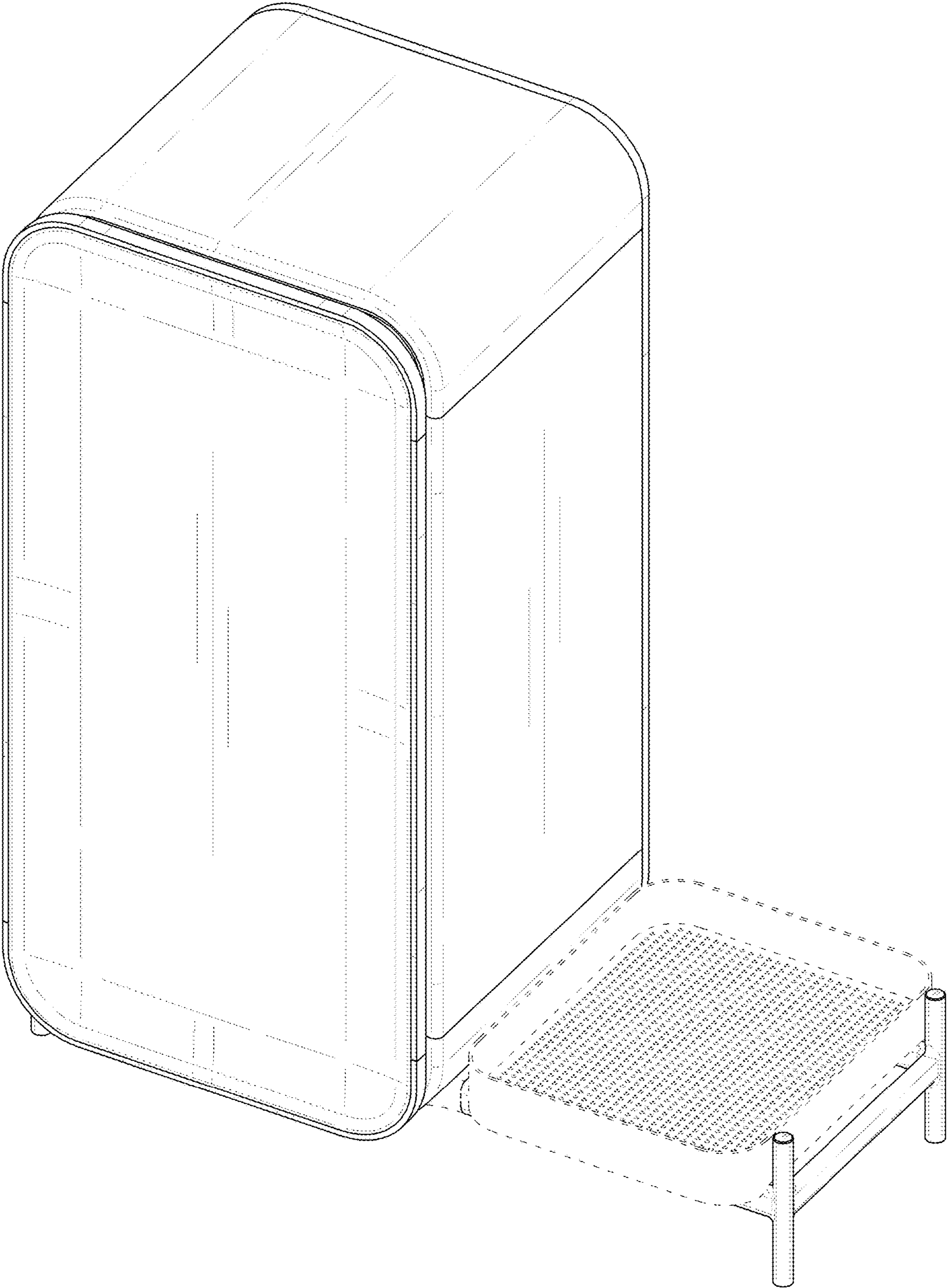


FIG. 2

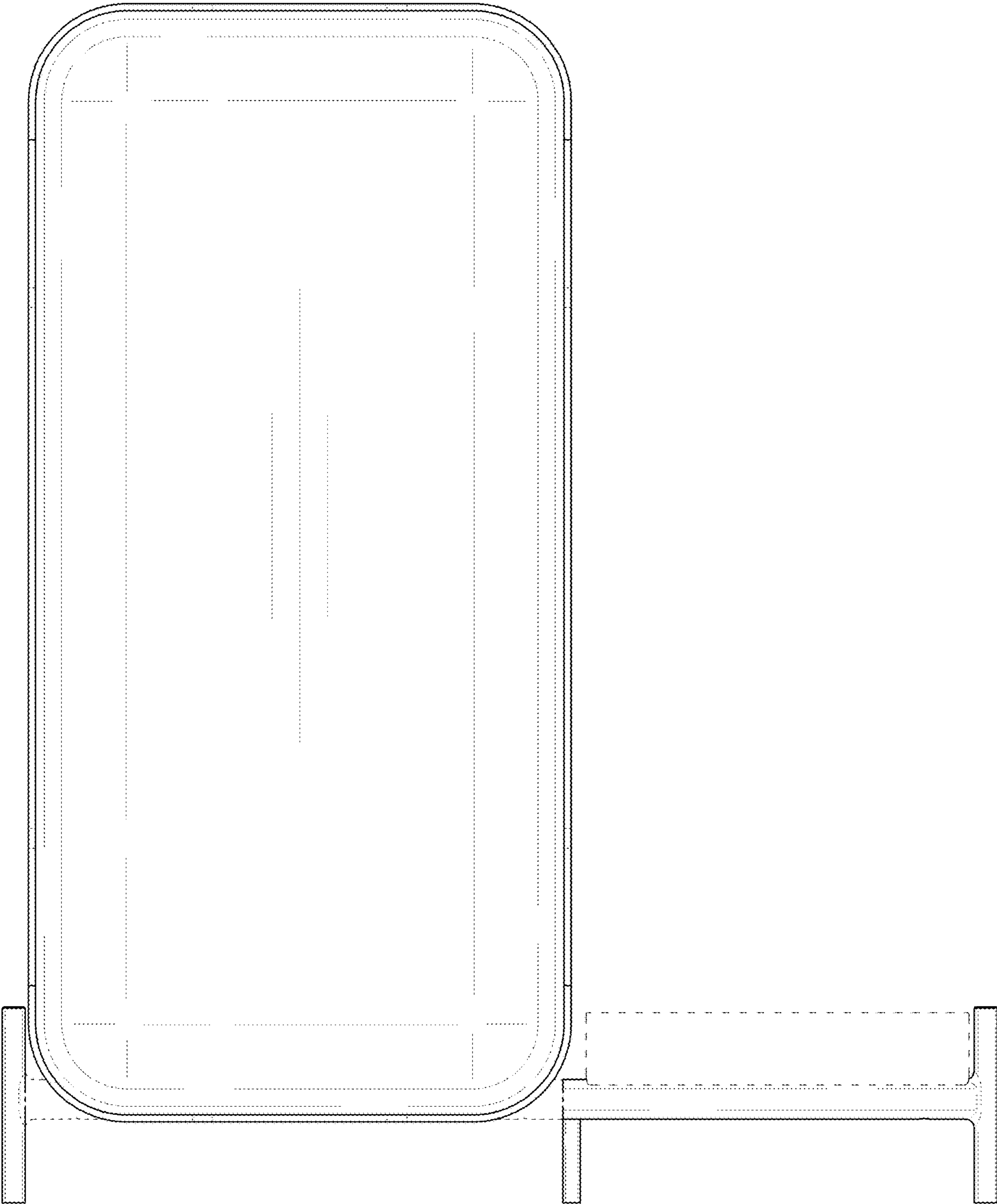


FIG. 3

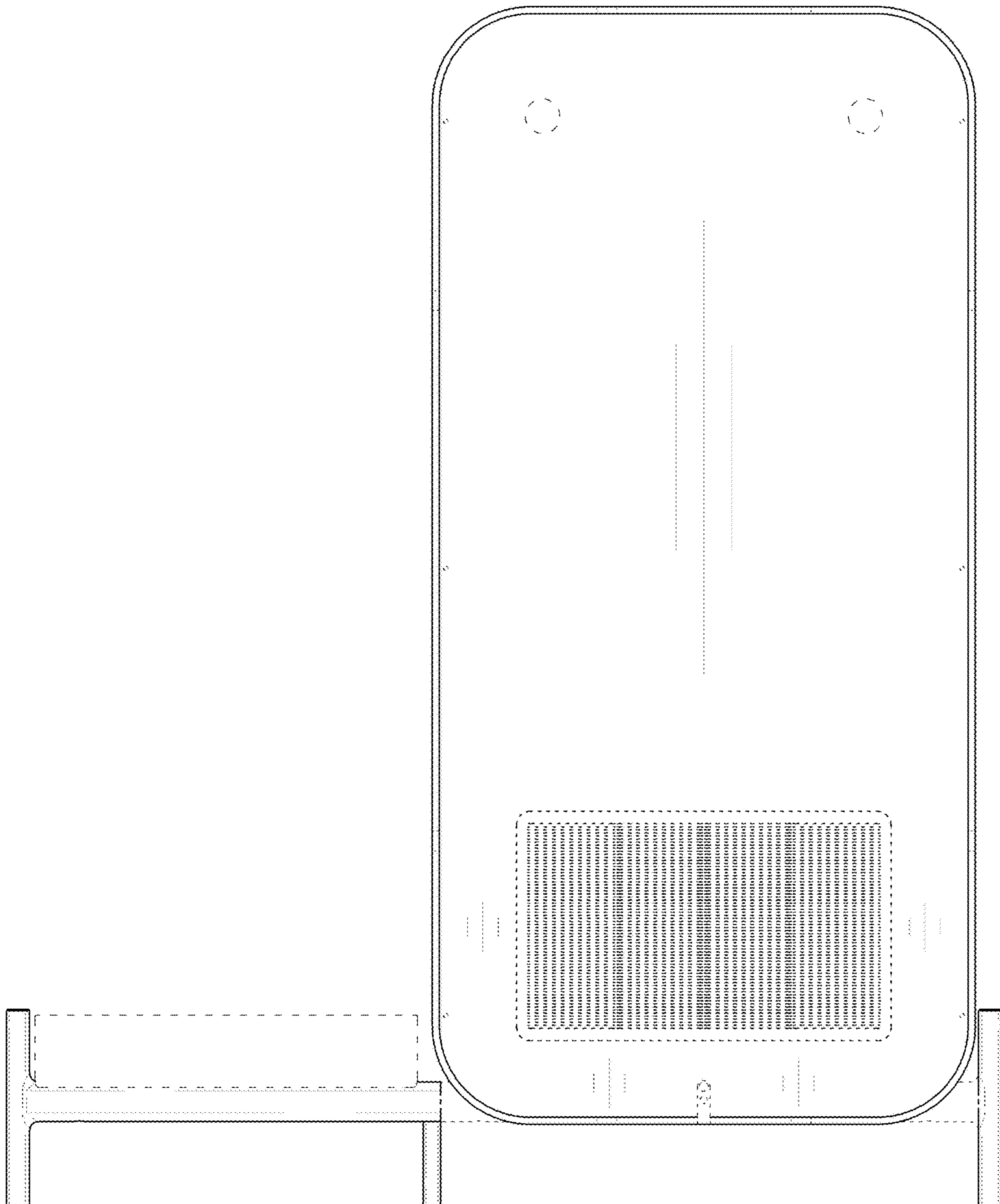


FIG. 4

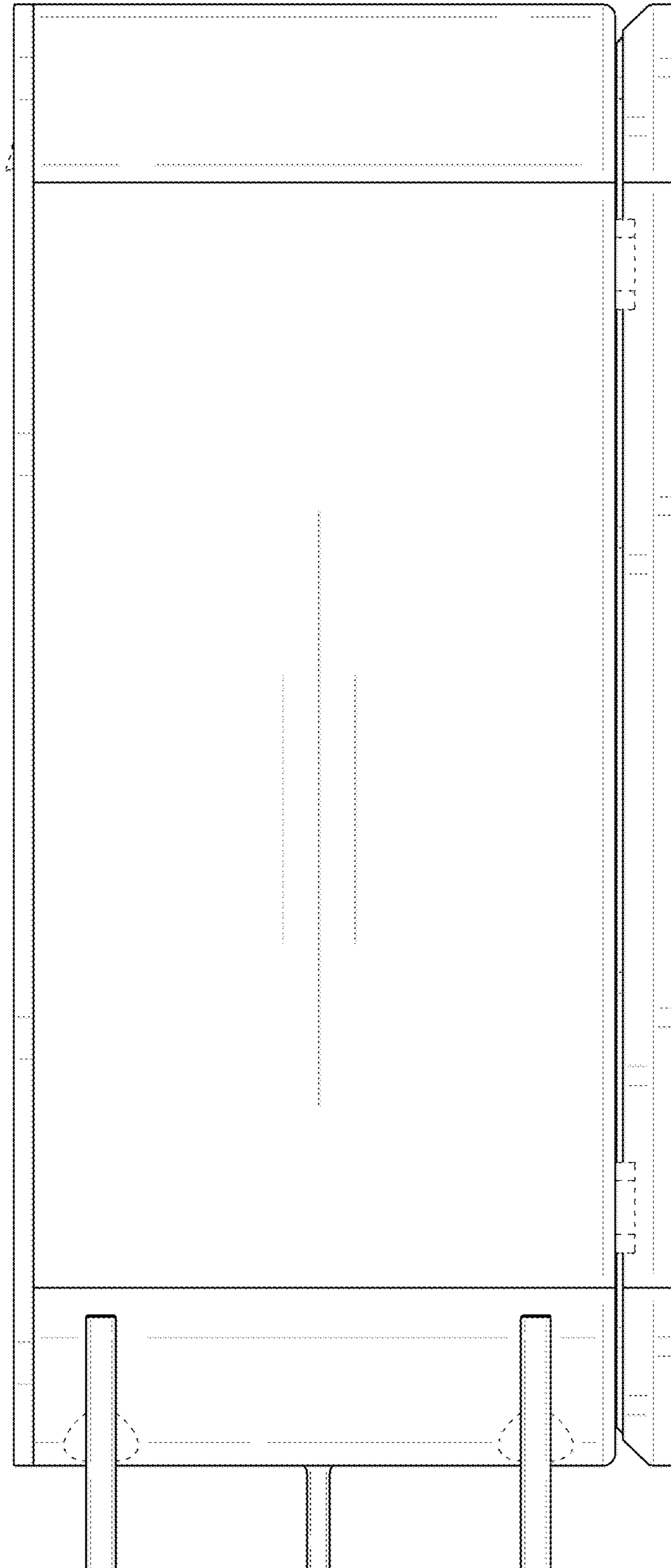


FIG. 5

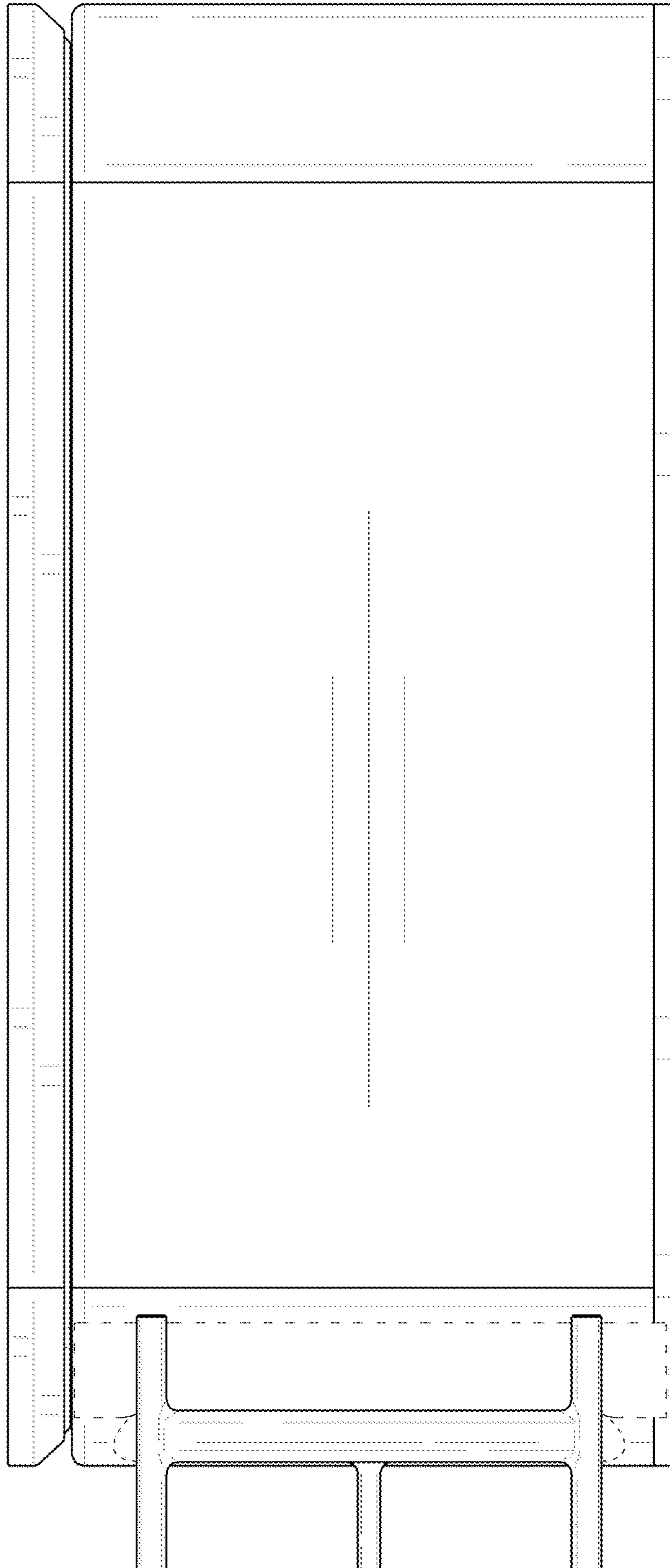


FIG. 6

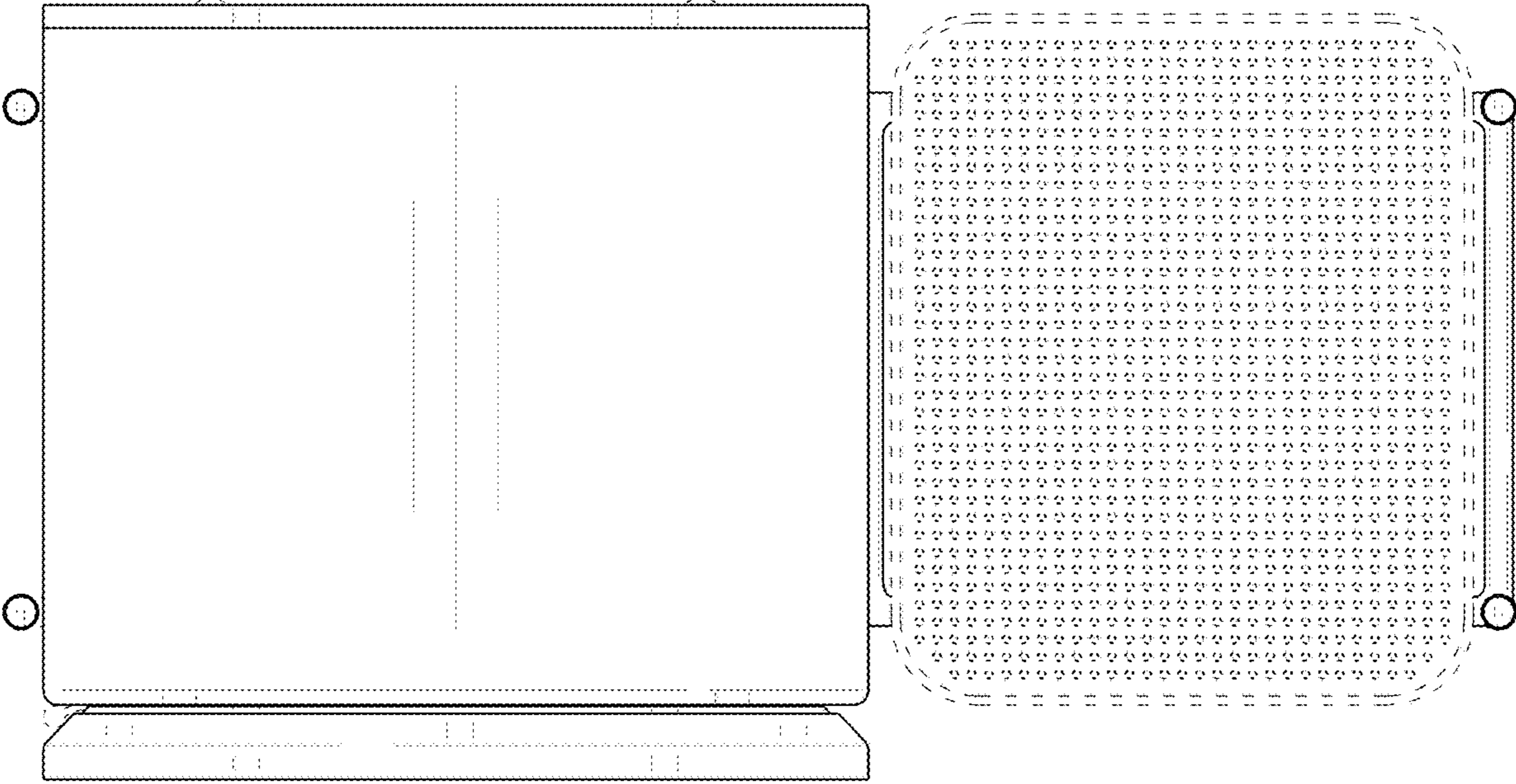




FIG. 7

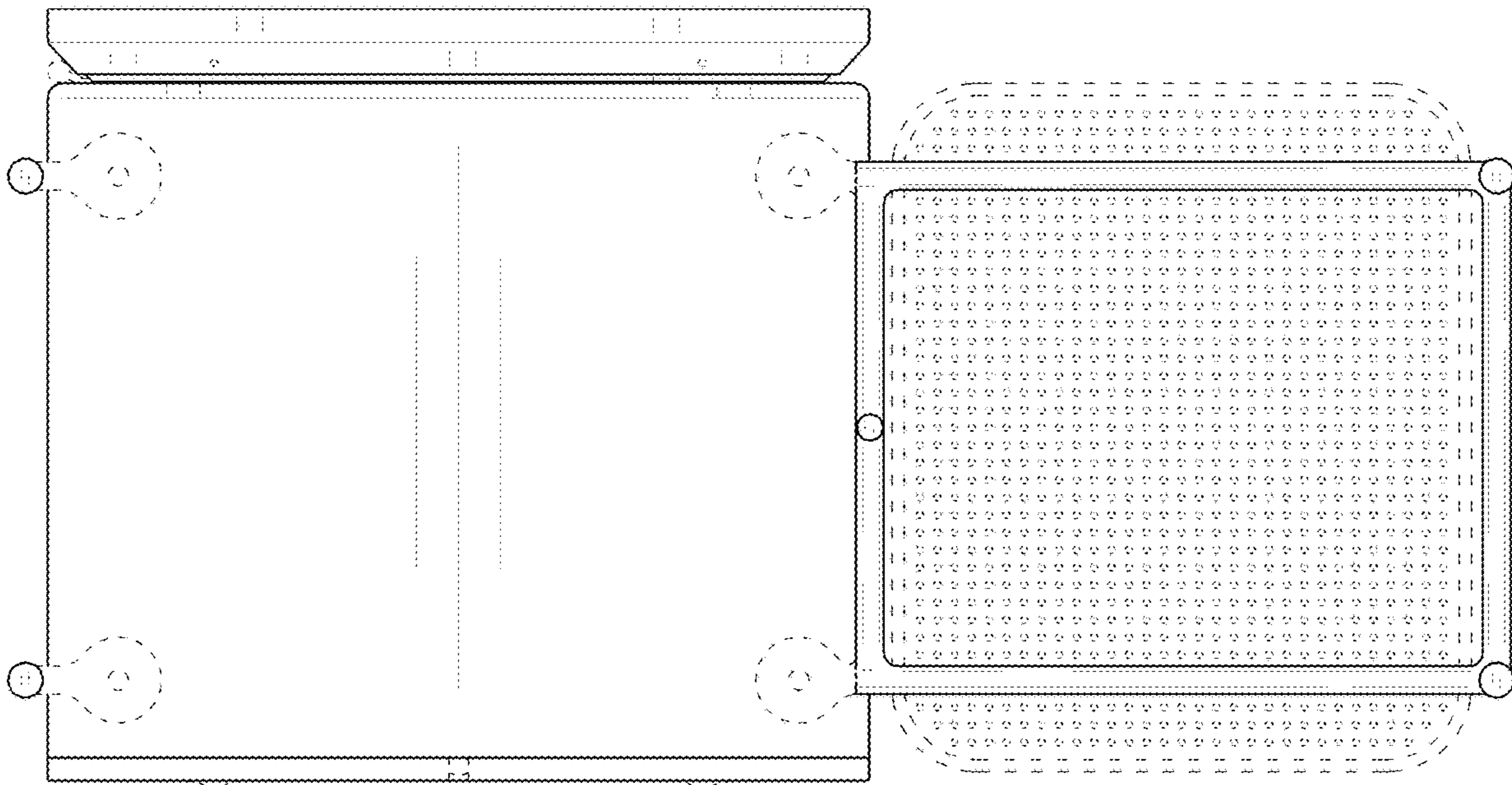


FIG. 8

