



US00D957477S

(12) **United States Design Patent**  
**Barea**

(10) **Patent No.:** **US D957,477 S**

(45) **Date of Patent:** **\*\* Jul. 12, 2022**

(54) **TEXTILE THREAD CONTROL SENSOR FOR  
AUTOMATIC TEXTILE KNITTING OR  
SEWING MACHINES**

D591,121 S \* 4/2009 Buzby ..... D8/51  
D884,751 S \* 5/2020 Peavy ..... D15/78  
D887,805 S \* 6/2020 Fleming ..... D8/51

(71) Applicant: **BTSR INTERNATIONAL S.P.A.**,  
Olgiate Olona (IT)

**OTHER PUBLICATIONS**

(72) Inventor: **Tiziano Barea**, Busto Arsizio (IT)

Artyea Plastic Retro Robot Arm Robotic Pick Up Pinch Tool Kids  
Toy <https://www.amazon.com/Plastic-Retro-Robot-Robotic-Pinch> (Year:  
2019).\*

(73) Assignee: **BTSR INTERNATIONAL S.P.A.**,  
Olgiate Olona (IT)

\* cited by examiner

(\*\*) Term: **15 Years**

*Primary Examiner* — George D. Kirschbaum

(21) Appl. No.: **35/511,774**

(74) *Attorney, Agent, or Firm* — Vorys, Sater, Seymour  
and Pease LLP

(22) Filed: **Mar. 30, 2021**

(80) **Hague Agreement Data**

(57) **CLAIM**

Int. Filing Date: **Mar. 30, 2021**  
Int. Reg. No.: **DM/213837**  
Int. Reg. Date: **Mar. 30, 2021**  
Int. Reg. Pub. Date: **Apr. 30, 2021**

The ornamental design for a textile thread control sensor for  
automatic textile, knitting or sewing machines, as shown and  
described.

(30) **Foreign Application Priority Data**

**DESCRIPTION**

Dec. 1, 2020 (EM) ..... 008303705-0001

(51) **LOC (13) Cl.** ..... **15-06**

(52) **U.S. Cl.**  
USPC ..... **D15/78**

(58) **Field of Classification Search**  
USPC ..... D10/46, 70; D15/78, 66; D8/51  
See application file for complete search history.

1. Textile thread control sensor for automatic textile, knitting  
or sewing machines

**1.1** : Perspective

**1.2** : Front

**1.3** : Left

**1.4** : Back

**1.5** : Right

**1.6** : Top

**1.7** : Bottom

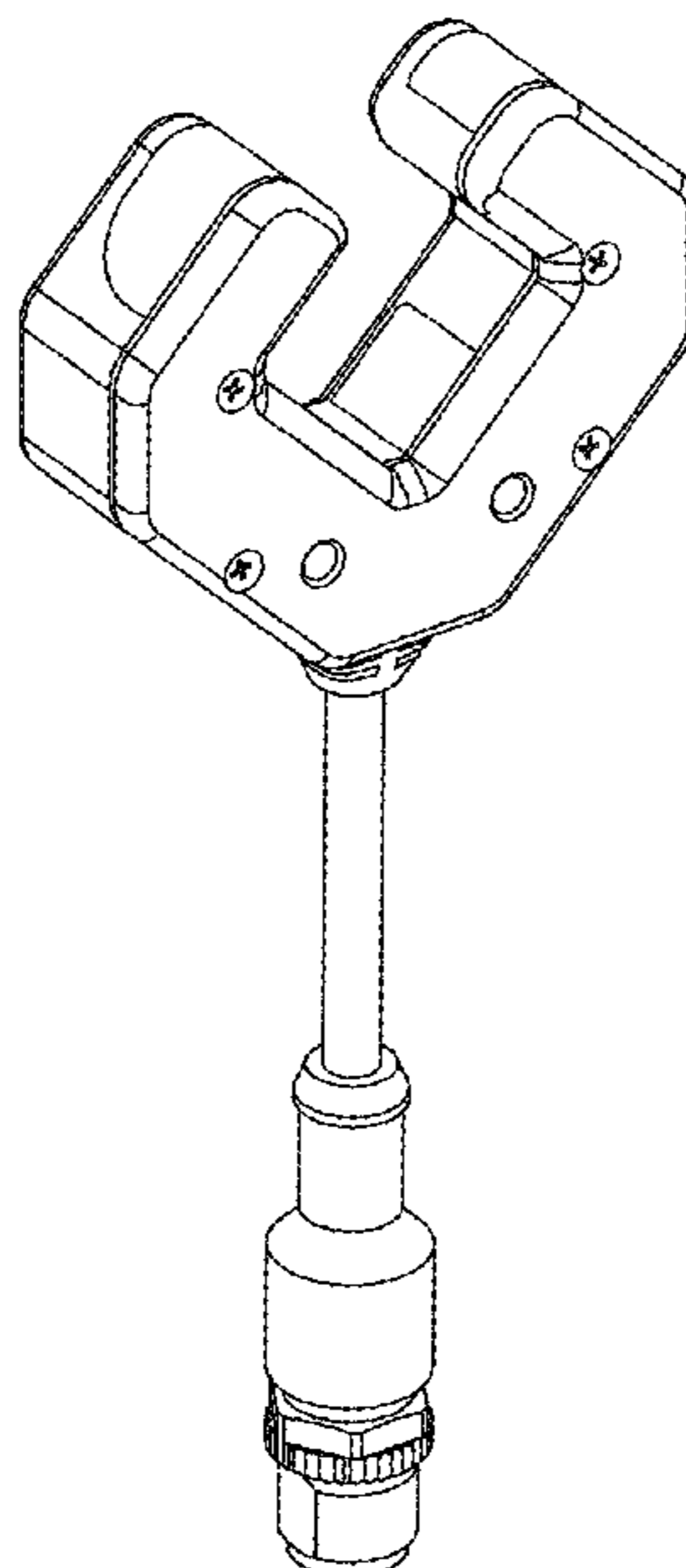
Fig. **1.1** is a perspective view of the textile thread control  
sensor; fig. **1.2** is a front view thereof; fig. **1.3** is a left side  
view thereof; fig. **1.4** is a rear view thereof; fig. **1.5** is a right  
side view thereof; fig. **1.6** is a top view thereof; fig. **1.7** is a  
bottom view thereof.

(56) **References Cited**

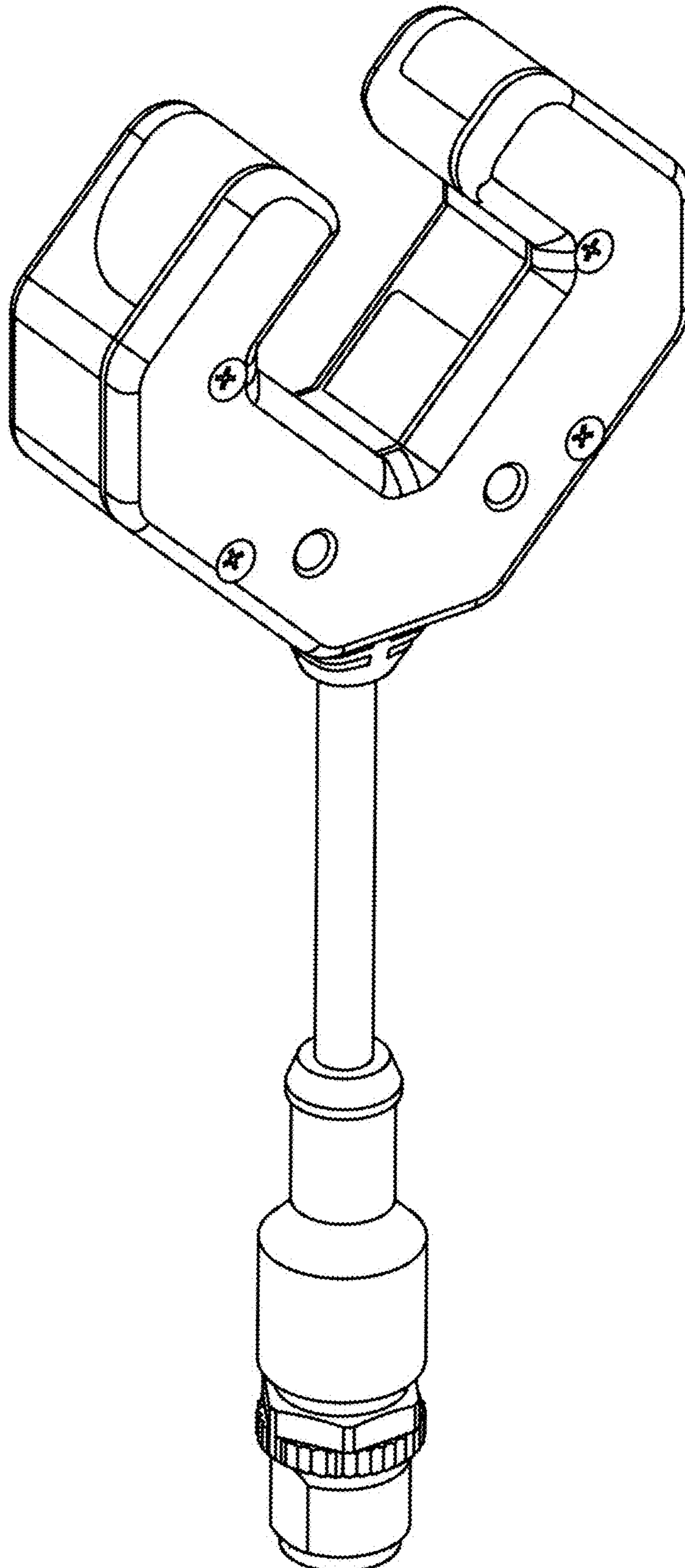
**U.S. PATENT DOCUMENTS**

5,826,358 A \* 10/1998 DeSutter ..... G09F 7/00  
40/606.01  
D591,120 S \* 4/2009 Buzby ..... D8/51

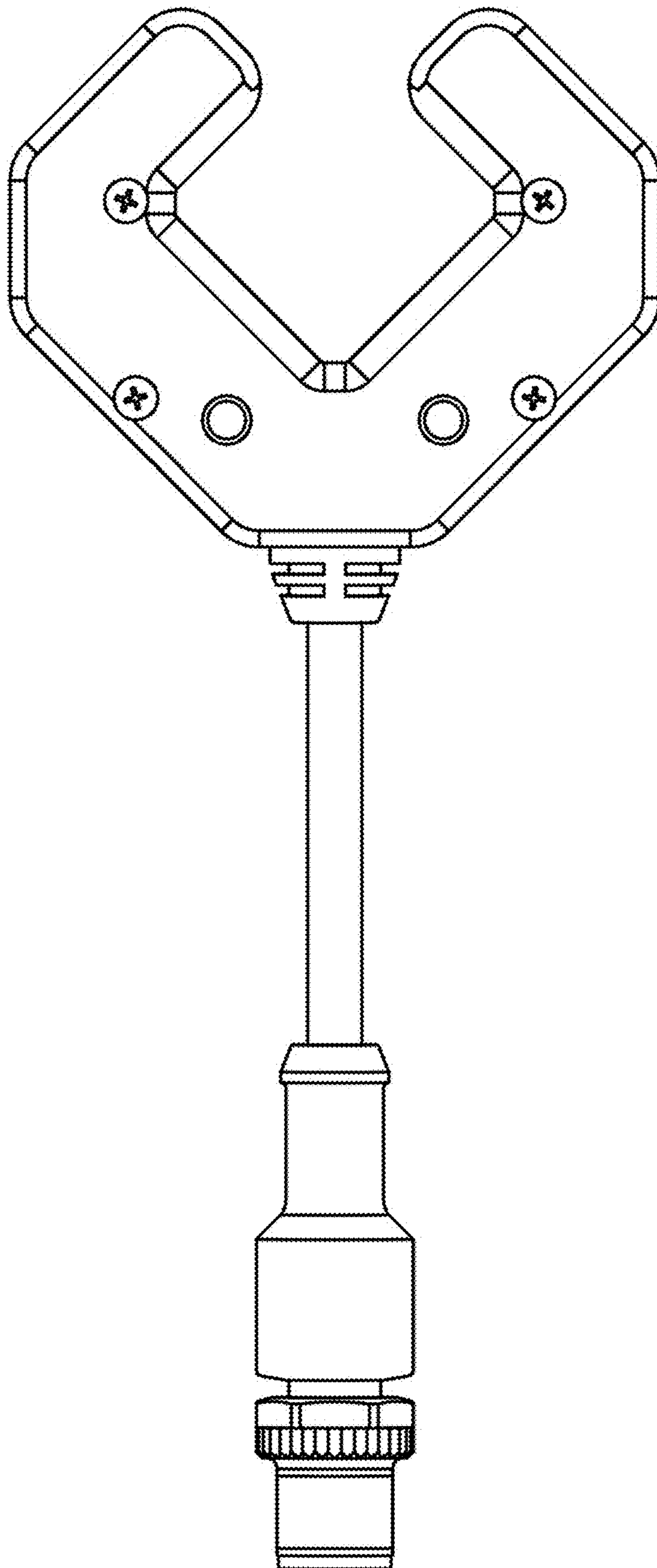
**1 Claim, 7 Drawing Sheets**



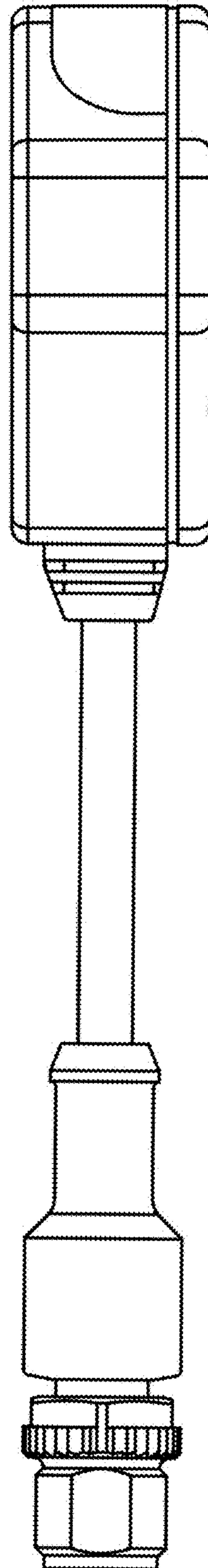
1.1



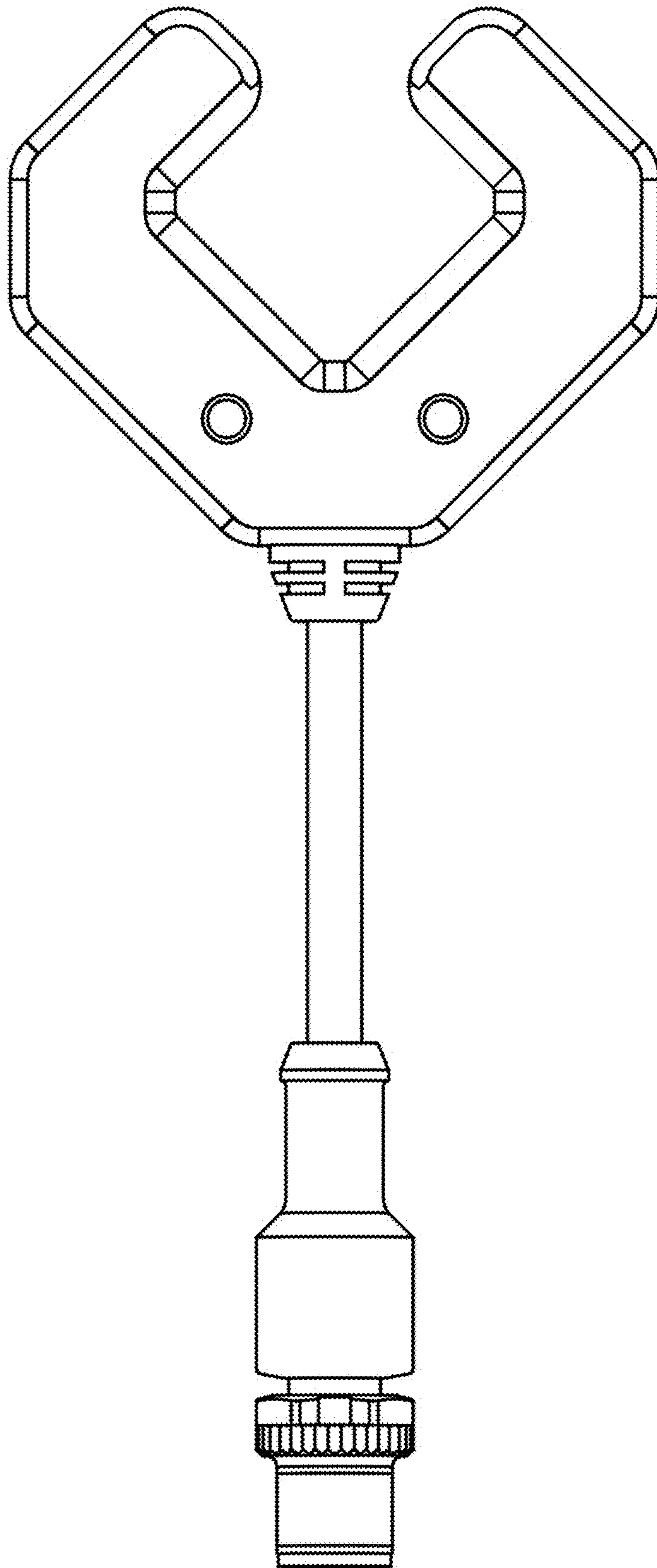
1.2



1.3

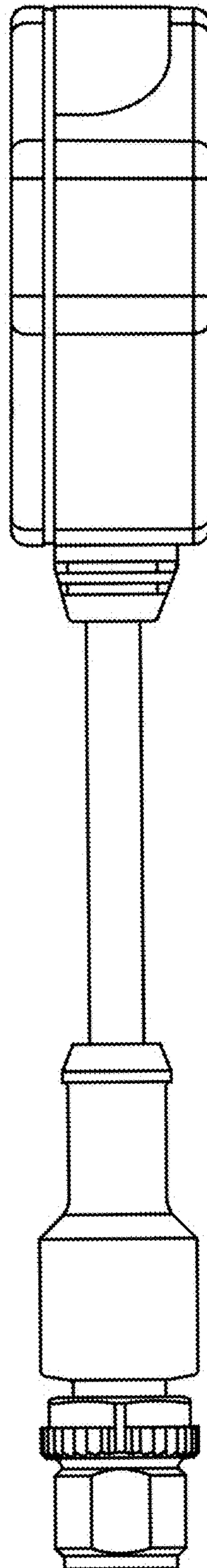


1.4

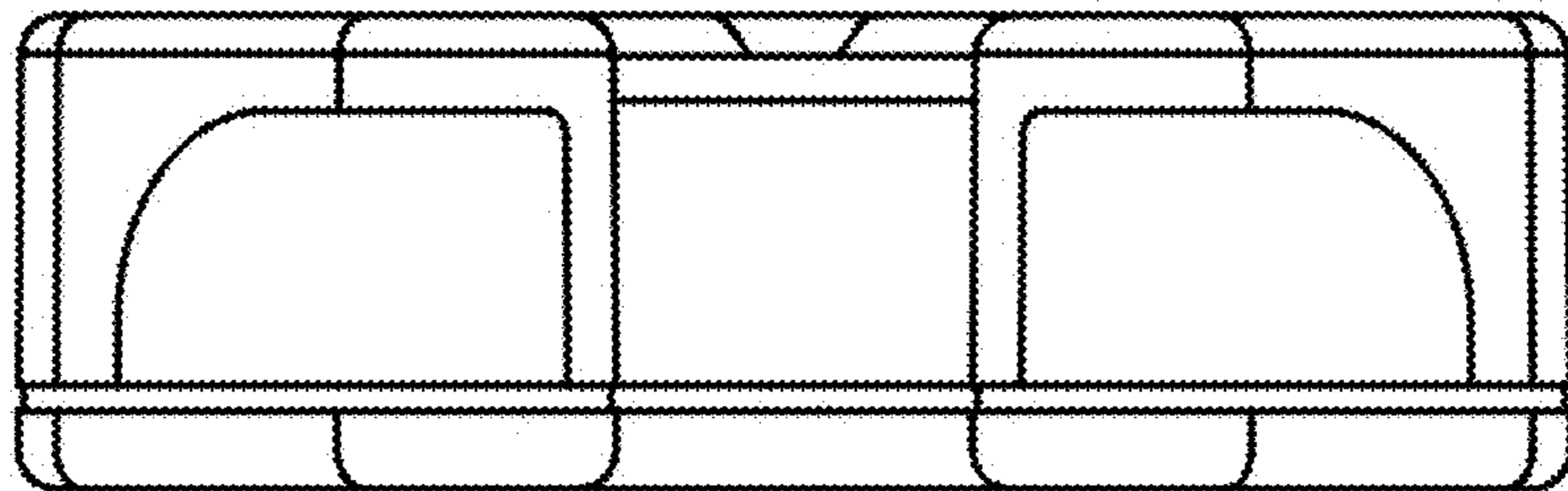




1.5



1.6



1.7

