



US00D957476S

(12) **United States Design Patent**
Lonati et al.

(10) **Patent No.:** **US D957,476 S**
(45) **Date of Patent:** **** Jul. 12, 2022**

- (54) **TEXTILE MACHINE**
- (71) Applicant: **SANTONI S.P.A.**, Brescia (IT)
- (72) Inventors: **Ettore Lonati**, Botticino (IT); **Fausto Lonati**, Brescia (IT); **Andrea Lonati**, Brescia (IT)
- (73) Assignee: **SANTONI S.P.A.**, Brescia (IT)
- (**) Term: **15 Years**
- (21) Appl. No.: **29/717,631**
- (22) Filed: **Dec. 18, 2019**

D771,153 S * 11/2016 Lonati D15/66
 D771,154 S * 11/2016 Lonati D15/78
 D771,156 S * 11/2016 Lonati D04B 15/322
 D15/78
 D772,958 S * 11/2016 Lonati D04B 15/32
 D15/78

(Continued)

FOREIGN PATENT DOCUMENTS

CN 300781811 * 5/2008 D04B 15/80
 CN 302551640 * 8/2013

(Continued)

OTHER PUBLICATIONS

Yarn Tension Unit Singer Chunky Knitter, Ebay [online, available Jul. 13, 2021] Date of production 1980, URL: <https://www.ebay.com/itm/224395305052> (Year: 1980).*

(Continued)

(30) **Foreign Application Priority Data**

Jun. 18, 2019 (EM) 006583290-0004

- (51) **LOC (13) Cl.** **15-06**
- (52) **U.S. Cl.**
USPC **D15/66; D15/72**
- (58) **Field of Classification Search**
USPC D15/66-78; 66/8, 151, 108 R, 17, 178 R, 66/57, 104, 125 R, 20, 64, 13, 132 R, 14, 66/140 S, 145 R, 148, 149 R, 153, 222
CPC . D04B 13/00; D04B 13/02; D04B 9/00-9/58; D04B 15/06; D04B 15/14; D04B 15/88; D04B 15/94; D05B 1/00-25/00; D03D 49/12; D03D 49/16
See application file for complete search history.

Primary Examiner — Jae Liang
Assistant Examiner — Tia Ruth-Renee Polidori
 (74) *Attorney, Agent, or Firm* — MH2 Technology Law Group LLP

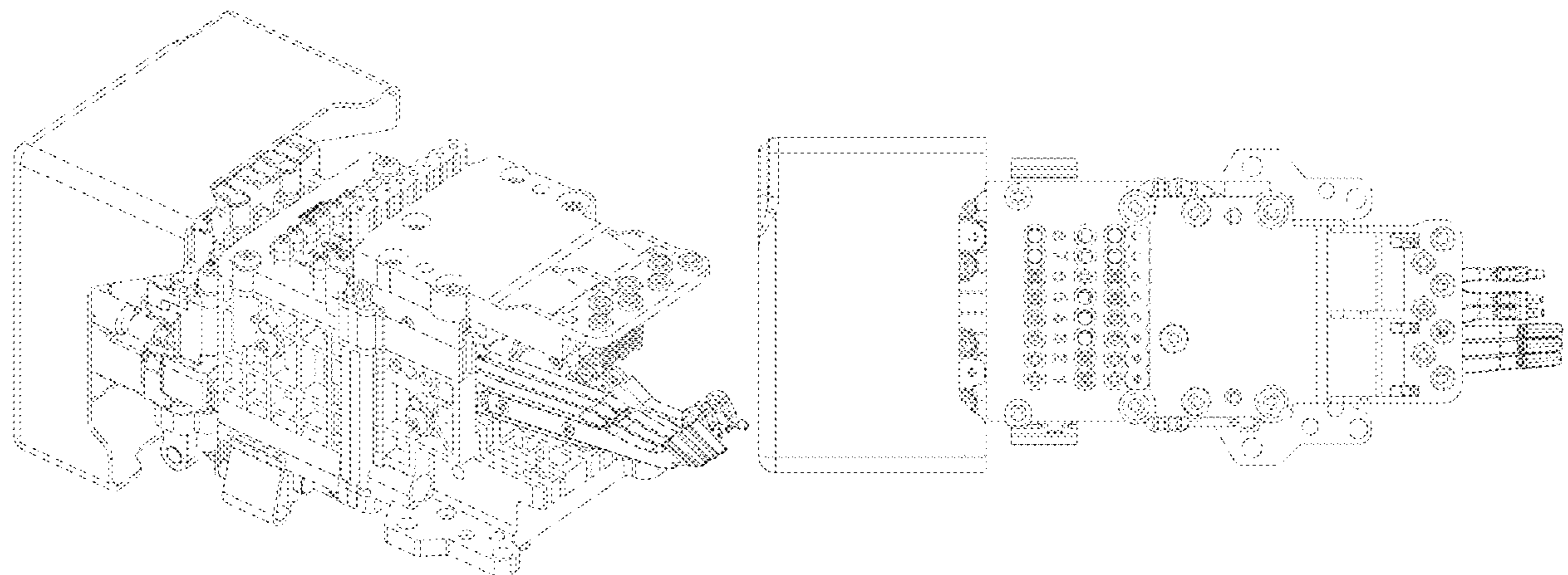
(57) **CLAIM**

The ornamental design for a textile machine, as shown and described.

DESCRIPTION

FIG. 1 is a perspective view of a textile machine;
 FIG. 2 is a top plan view thereof;
 FIG. 3 is a bottom plan view thereof;
 FIG. 4 is a front elevational view thereof;
 FIG. 5 is a rear elevational view thereof;
 FIG. 6 is a left-side elevational view thereof; and,
 FIG. 7 is a right-side elevational view thereof.
 The broken lines in the drawings depict portions of the textile machine that form no part of the claimed design.

1 Claim, 7 Drawing Sheets



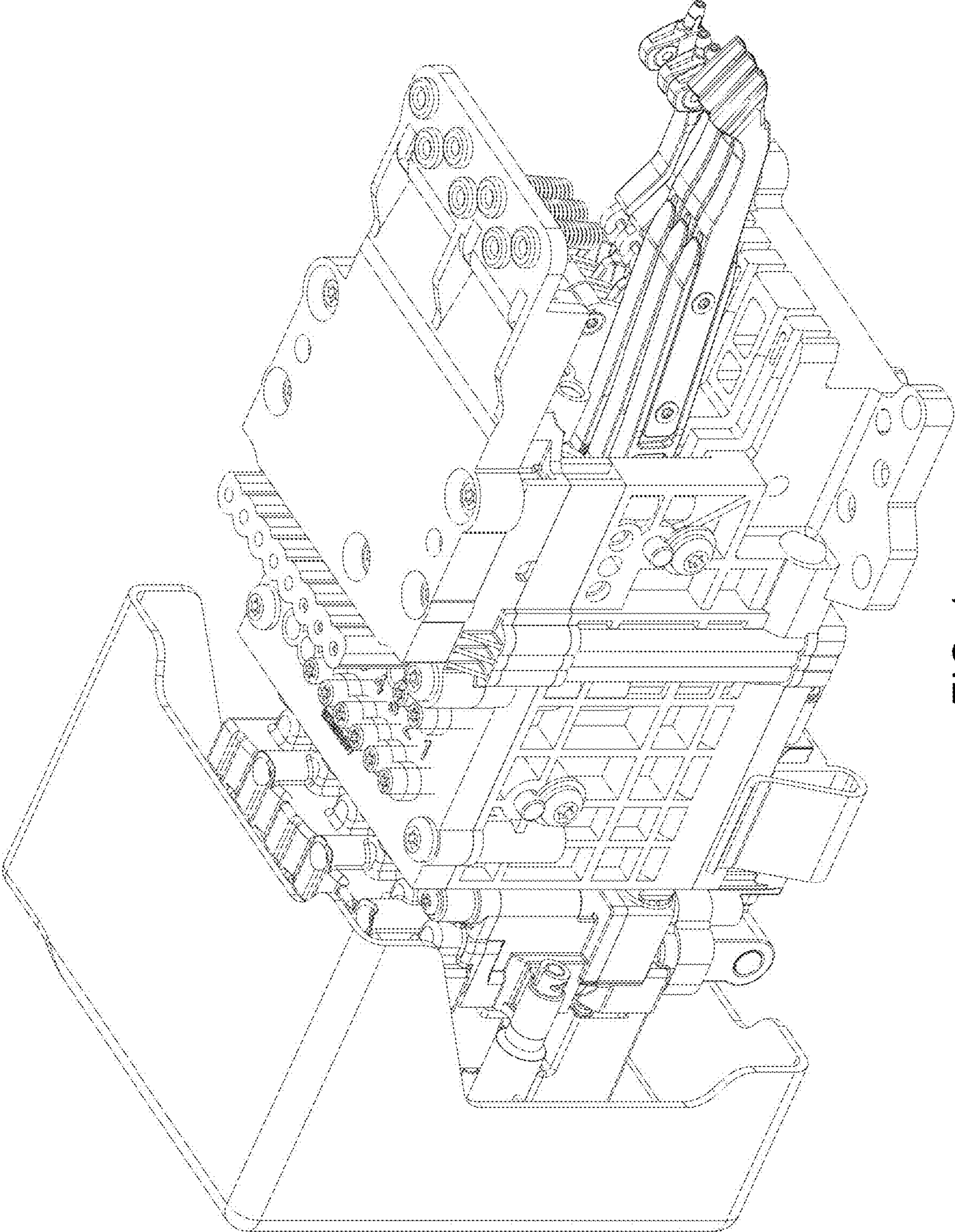


FIG. 1

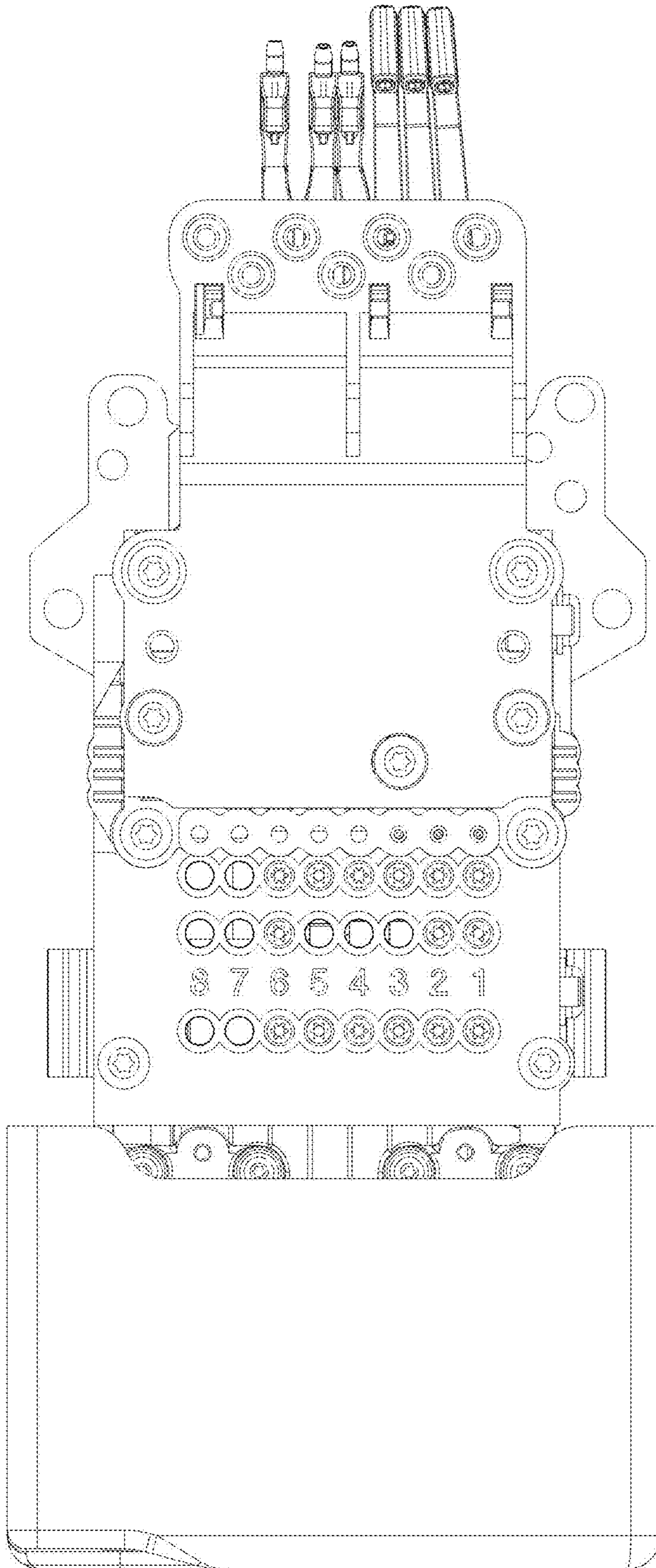


FIG. 2

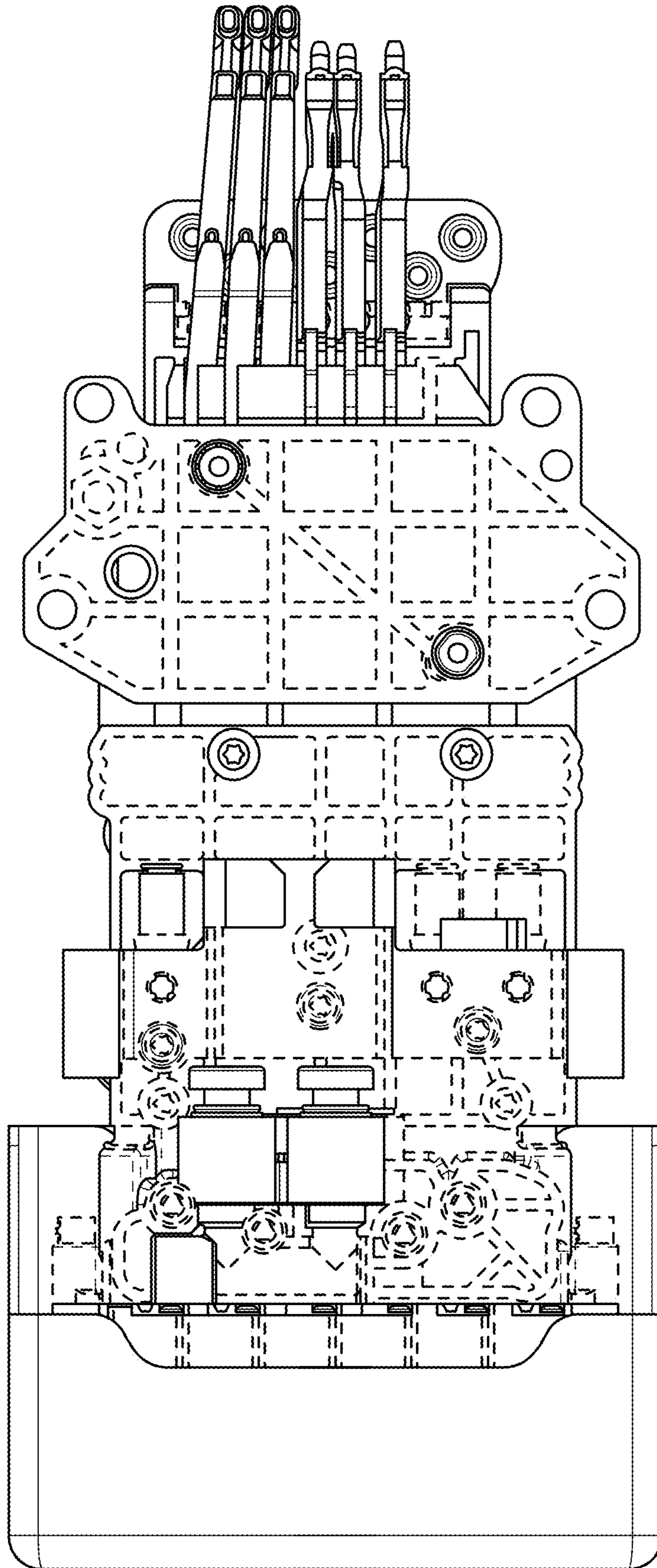


FIG. 3

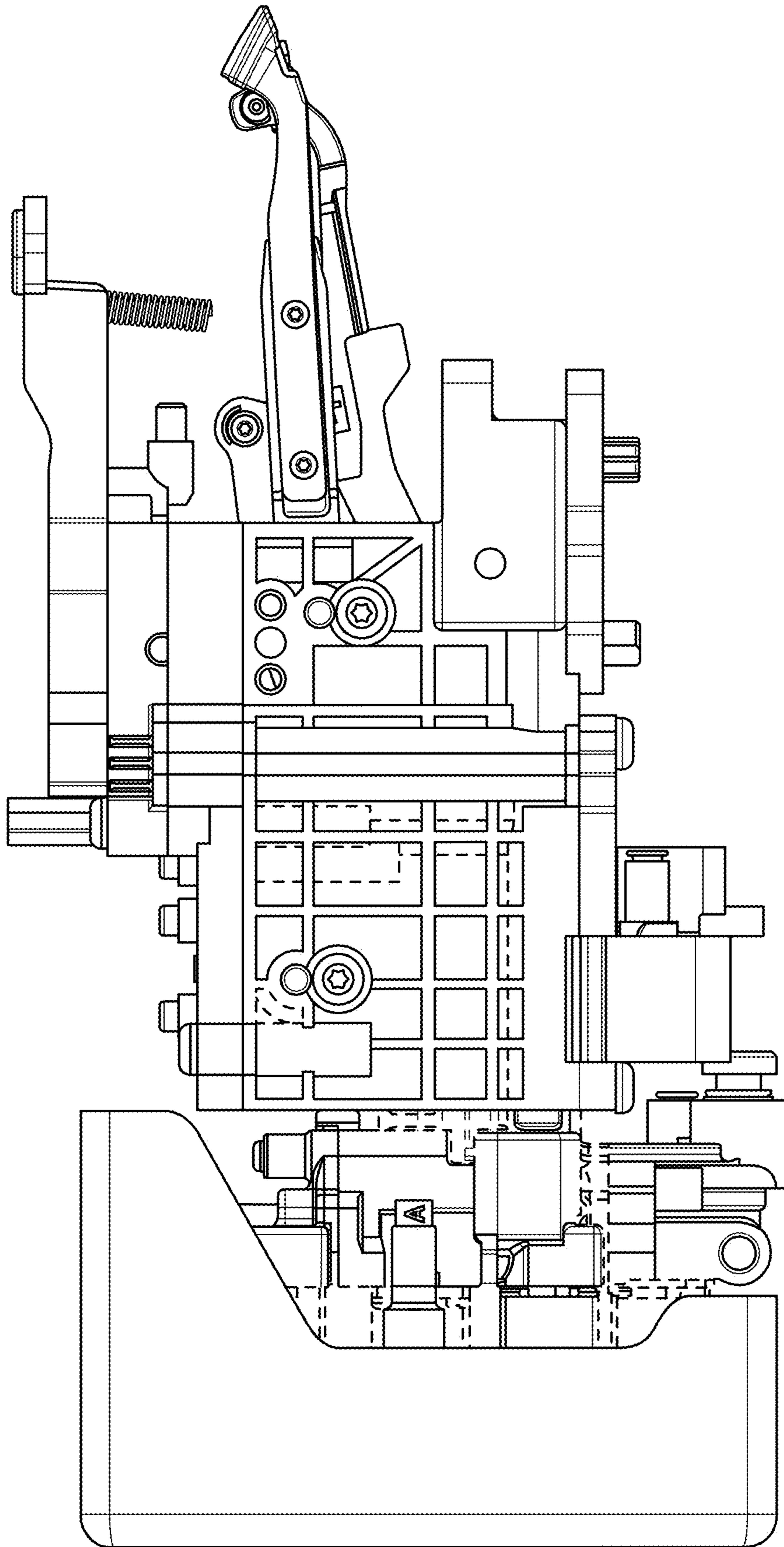


FIG. 4

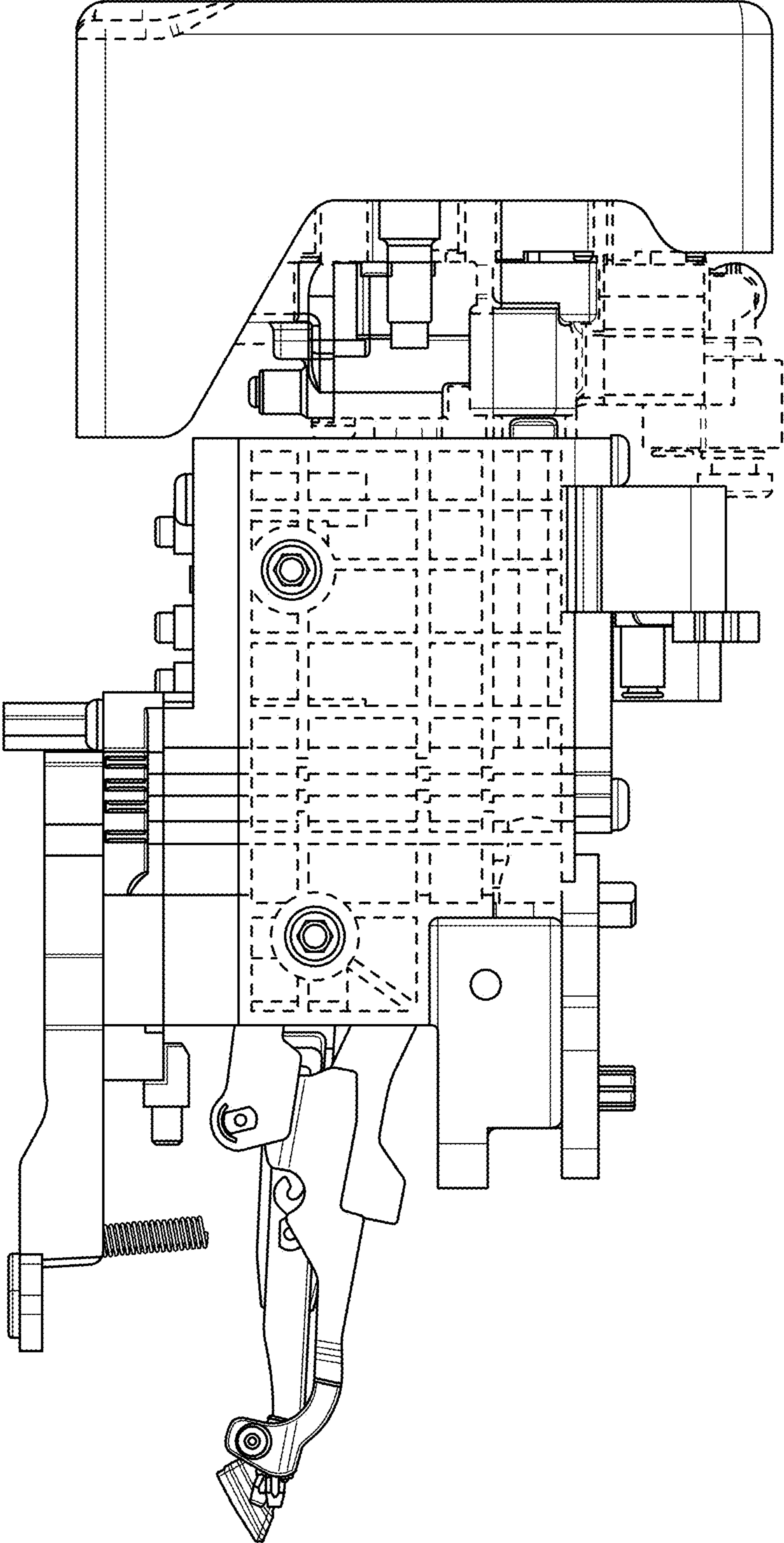


FIG. 5

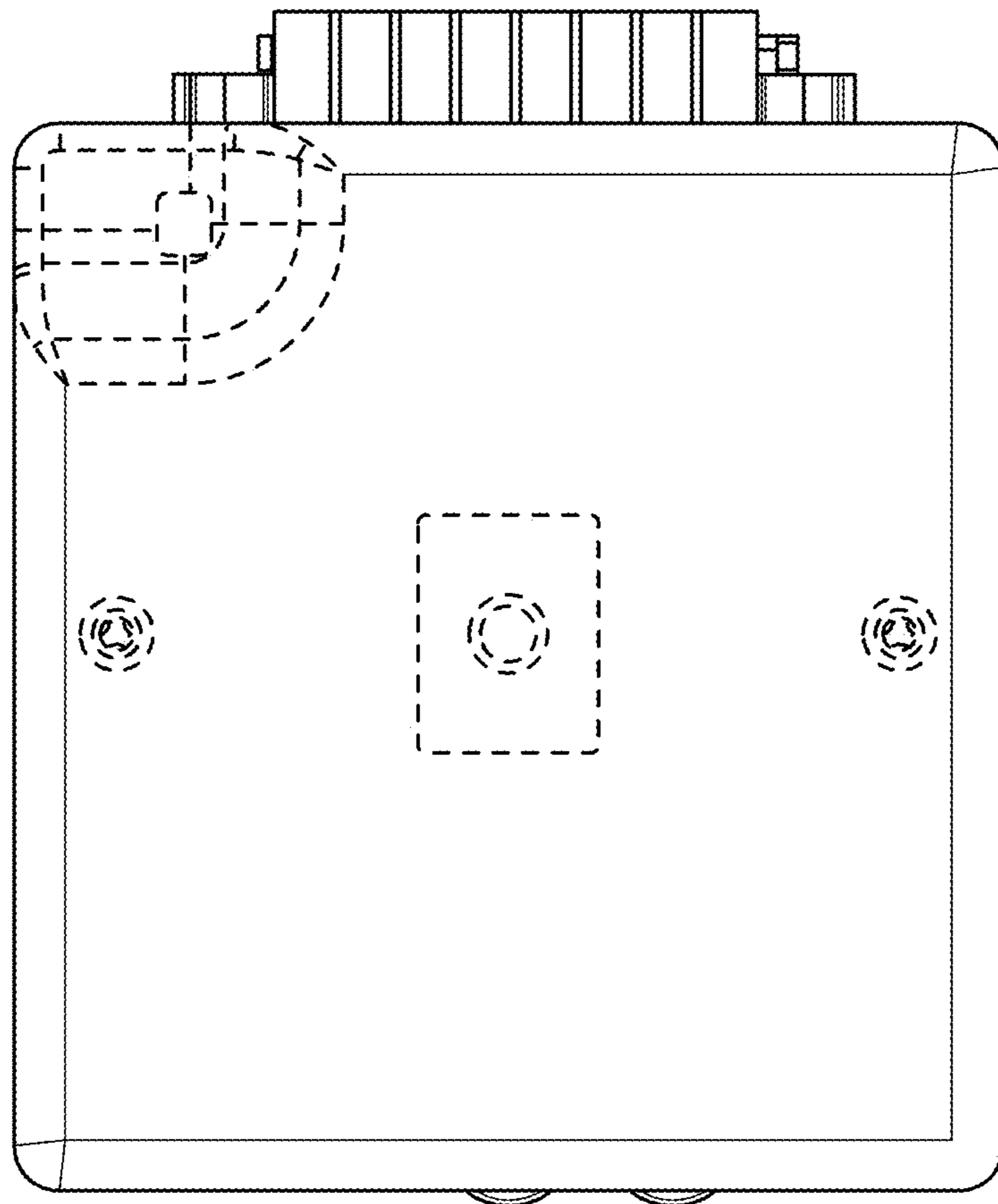


FIG. 6

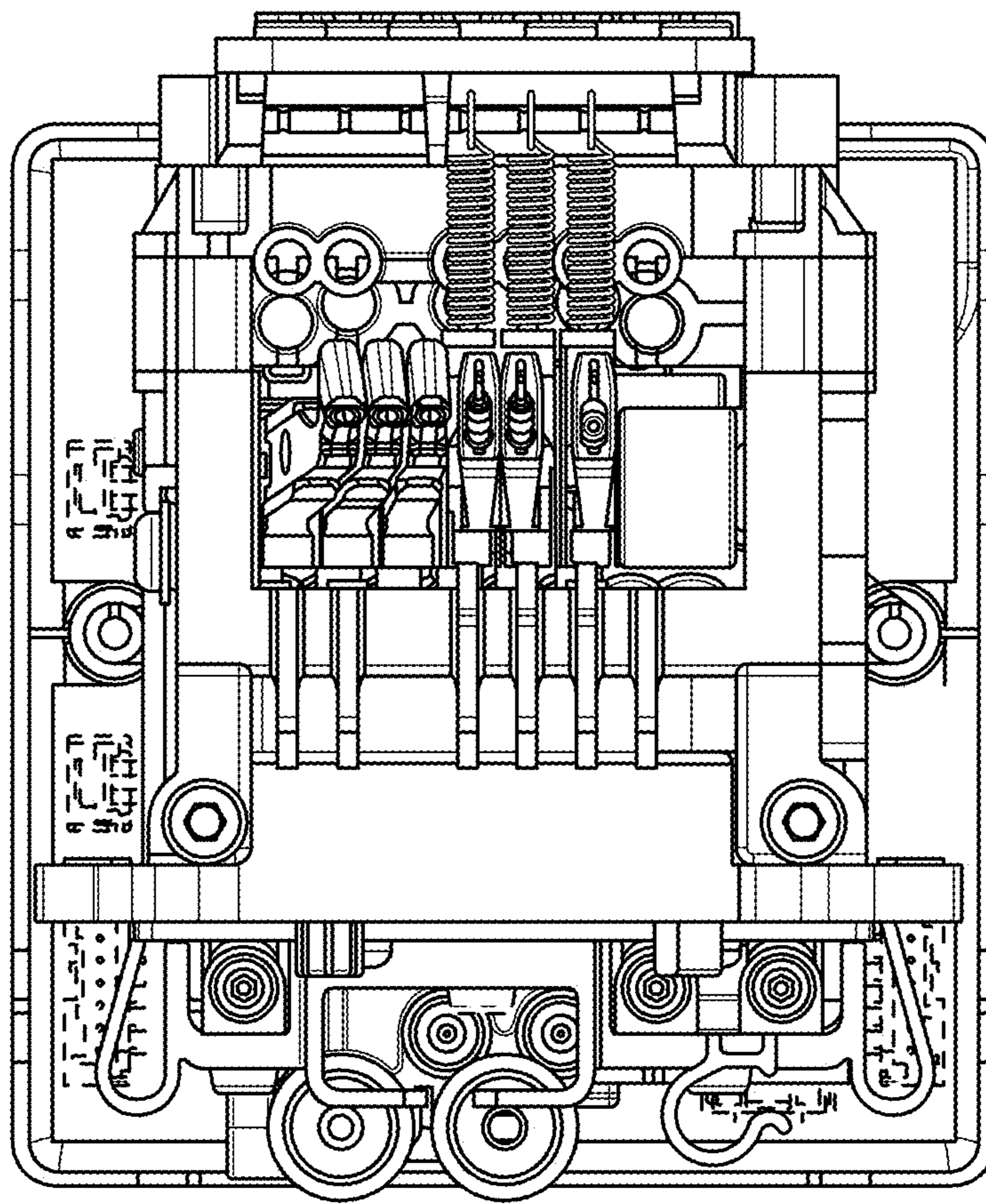


FIG. 7