



US00D957475S

(12) **United States Design Patent**  
**Wagner**

(10) **Patent No.:** **US D957,475 S**  
(45) **Date of Patent:** **\*\* Jul. 12, 2022**

- (54) **COMBINE HARVESTER**
- (71) Applicant: **CLAAS KGaA mbH**, Harsewinkel (DE)
- (72) Inventor: **Thomas Wagner**, Gütersloh (DE)
- (73) Assignee: **CLAAS KGaA mbH**, Harsewinkel (DE)
- (\*\*) Term: **15 Years**
- (21) Appl. No.: **29/771,507**
- (22) Filed: **Feb. 23, 2021**

D460,461 S *	7/2002	Strong	.....	D15/28
D566,138 S *	4/2008	Forkert	.....	D15/27
D568,342 S *	5/2008	Kleingraeber	.....	D15/26
D599,830 S *	9/2009	Jacobsthal	.....	D15/33
D639,826 S *	6/2011	Barrelmeyer	.....	D15/26
D717,345 S *	11/2014	Budde	.....	D15/26
D723,071 S *	2/2015	Jacobsthal	.....	D15/33
D765,738 S *	9/2016	Treinen	.....	D15/28
D797,813 S *	9/2017	Budde	.....	D15/26
D838,295 S *	1/2019	Schwalbe	.....	D15/26
10,626,576 B2 *	4/2020	Smekal	.....	E02F 3/433
D888,108 S *	6/2020	Loggan	.....	D15/33
D892,175 S *	8/2020	Leeb	.....	D15/26
D895,688 S	9/2020	Wagner		
D898,782 S	10/2020	Wagner		
D943,644 S *	2/2022	Gearhart	.....	D15/31
2006/0254237 A1 *	11/2006	Ricketts	.....	A01D 69/03 56/14.7

(30) **Foreign Application Priority Data**

Aug. 31, 2020 (EM) ..... 008151005

(51) **LOC (13) Cl.** ..... **15-03**

(52) **U.S. Cl.**  
USPC ..... **D15/33; D15/26; D15/28**

(58) **Field of Classification Search**  
USPC ..... D15/10-12, 22-26, 28  
CPC ..... A01B 73/00; A01D 75/00; A01D 41/06;  
A01D 41/1208; A01D 41/00; A01D  
67/00; A01D 45/00; A01D 45/02; A01D  
45/021; A01D 43/081  
See application file for complete search history.

(56) **References Cited**

**U.S. PATENT DOCUMENTS**

3,384,232 A *	5/1968	Turnbull	.....	B62D 33/0617 209/11
D245,420 S *	8/1977	Maucher	.....	D15/26
D300,221 S *	3/1989	Odahara	.....	D15/24
D309,738 S *	8/1990	Schober	.....	D15/26
D399,851 S *	10/1998	Stauffer	.....	D15/28
D400,543 S *	11/1998	Benedict	.....	D15/28
D436,363 S *	1/2001	Strong	.....	D15/28

(Continued)

*Primary Examiner* — Mark A Goodwin  
(74) *Attorney, Agent, or Firm* — Lempia Summerfield  
Katz LLC

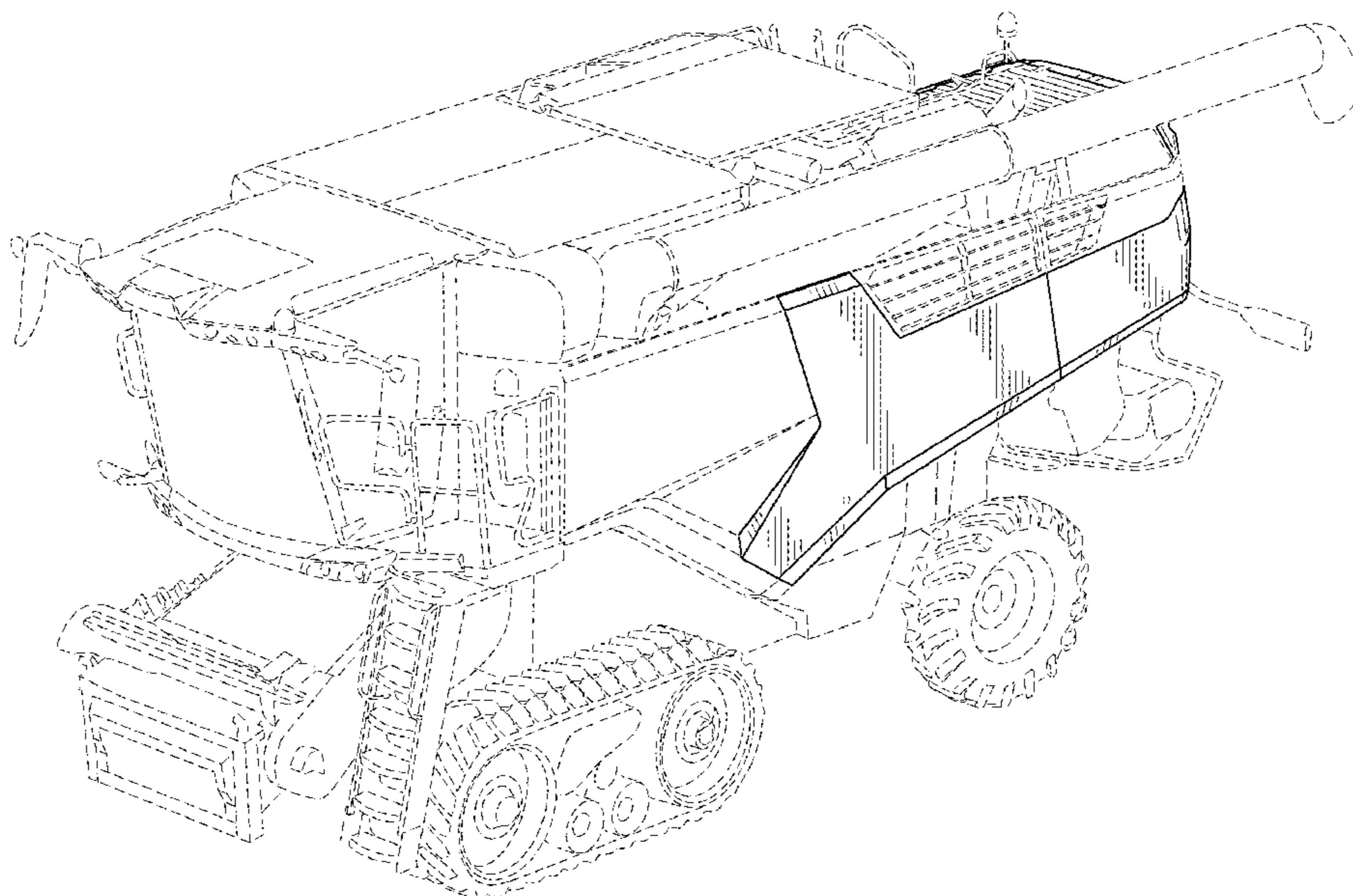
(57) **CLAIM**

I claim the ornamental design for a combine harvester, as shown and described.

**DESCRIPTION**

FIG. 1 is a front and left side perspective view of a combine harvester, showing my new design;  
FIG. 2 is a front and right side perspective view thereof;  
FIG. 3 is a rear and left side perspective view thereof;  
FIG. 4 is a rear and right side perspective view thereof;  
FIG. 5 is a left side view thereof;  
FIG. 6 is a right side view thereof;  
FIG. 7 is a rear view thereof; and,  
FIG. 8 is a front view thereof.  
Broken lines or shading shown in the figures are for illustrative purposes only and form no part of the claimed design.

**1 Claim, 8 Drawing Sheets**



(56)

**References Cited**

U.S. PATENT DOCUMENTS

2011/0147497 A1\* 6/2011 Hiddema ..... A01M 7/0014  
239/722

\* cited by examiner

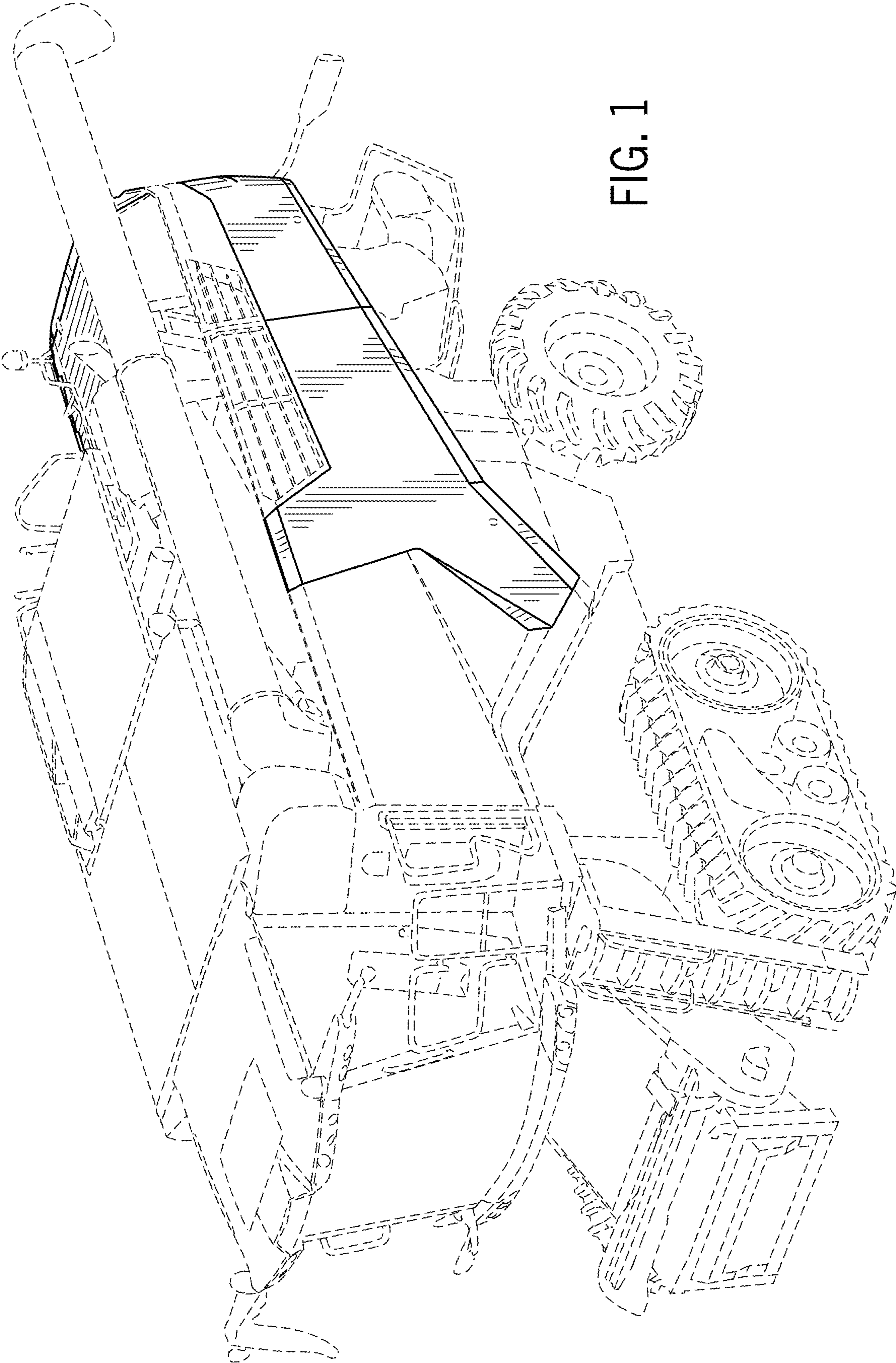


FIG. 1



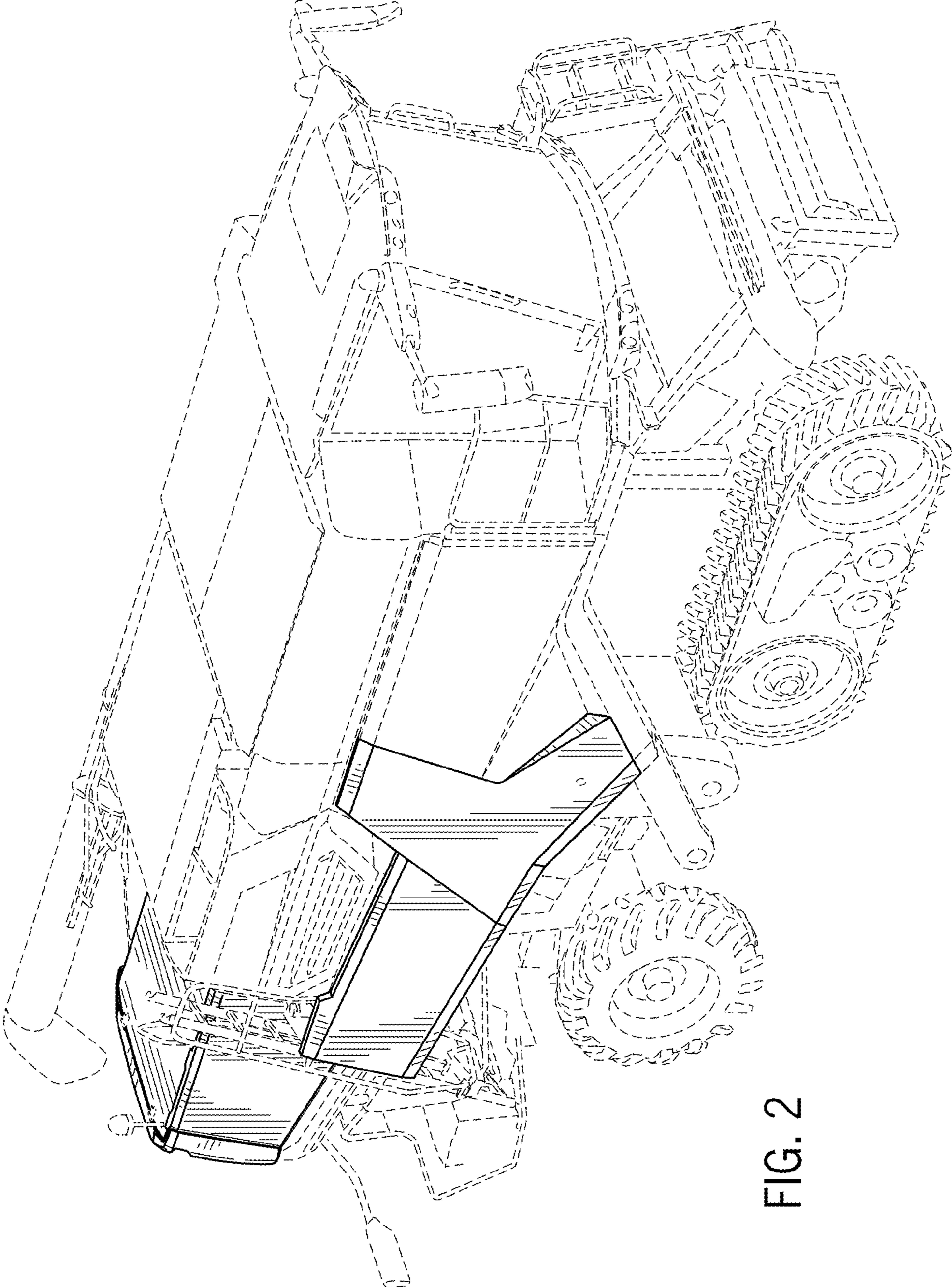


FIG. 2

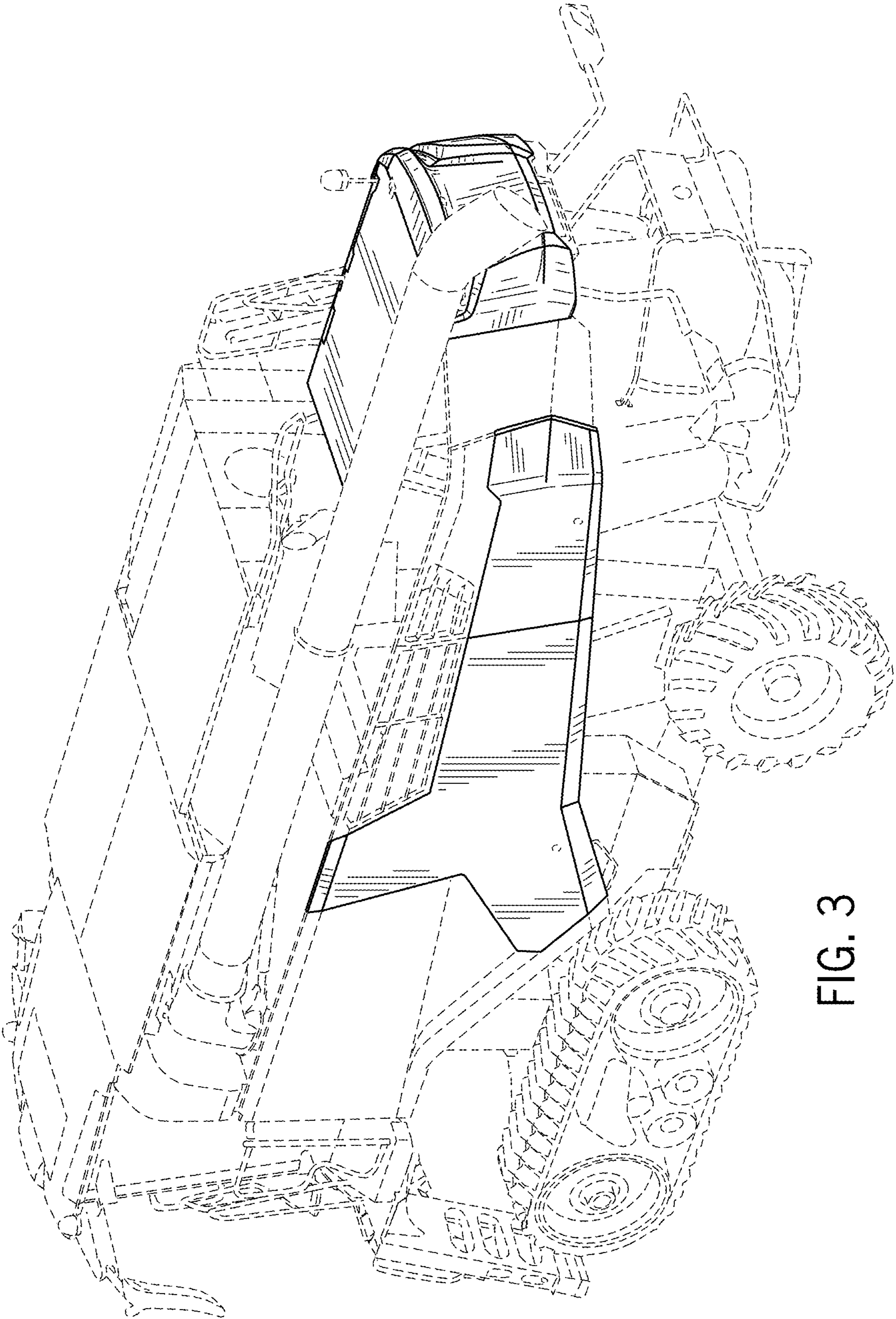


FIG. 3



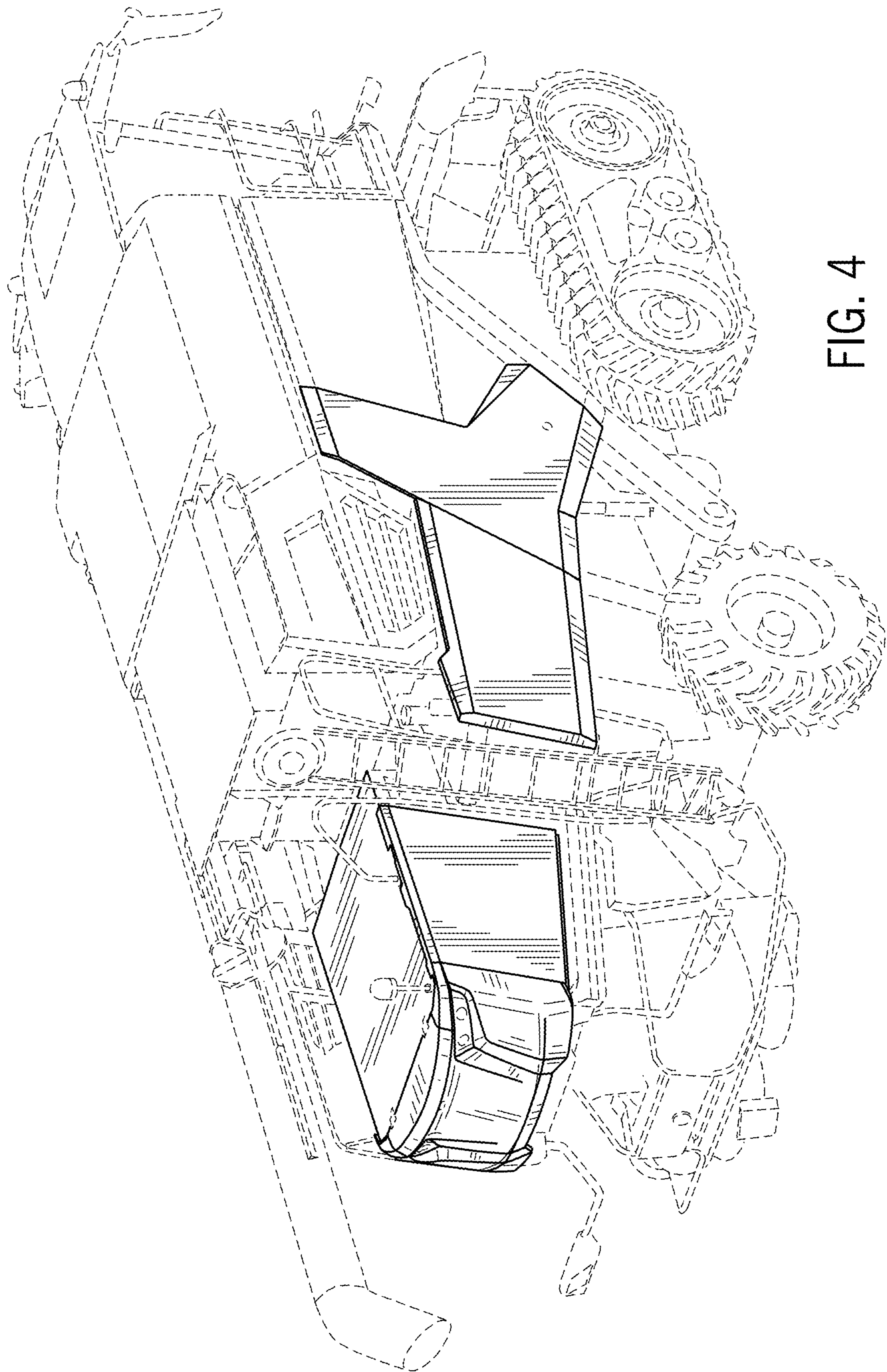


FIG. 4

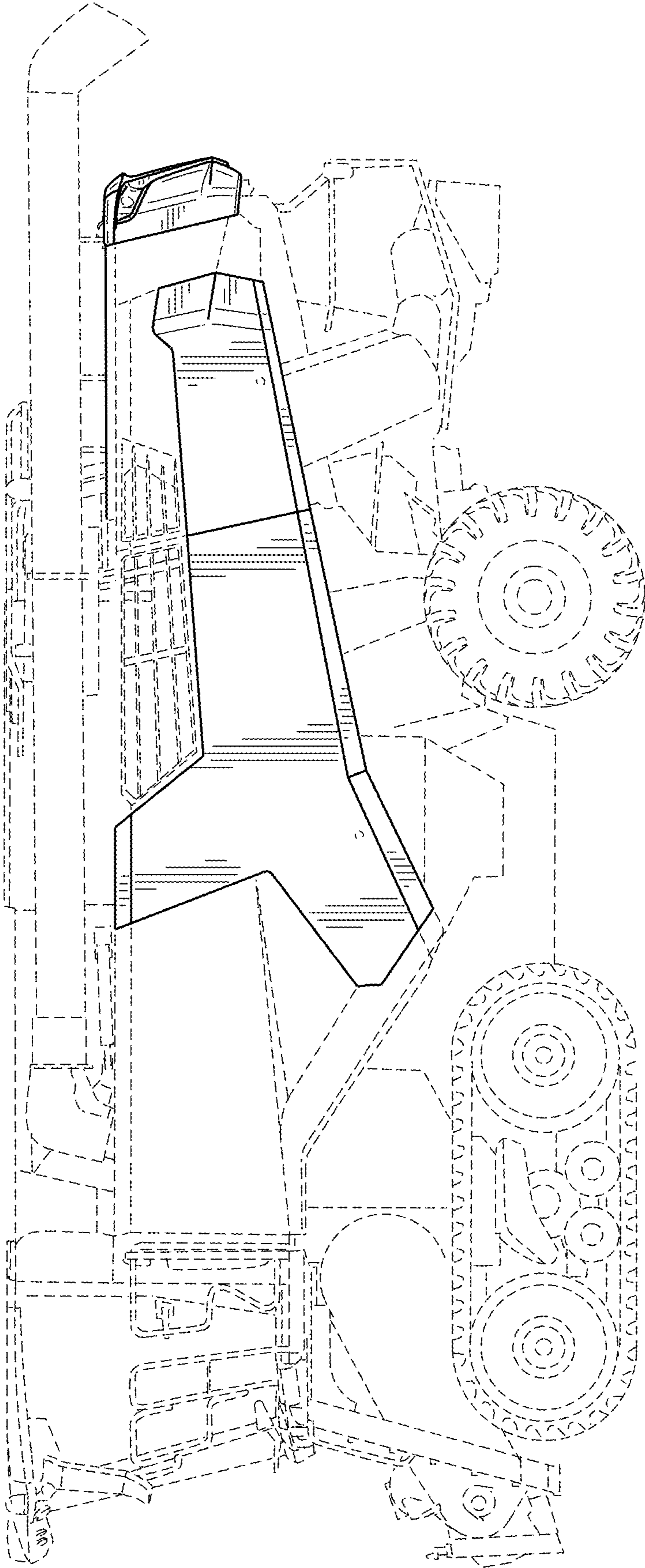


FIG. 5

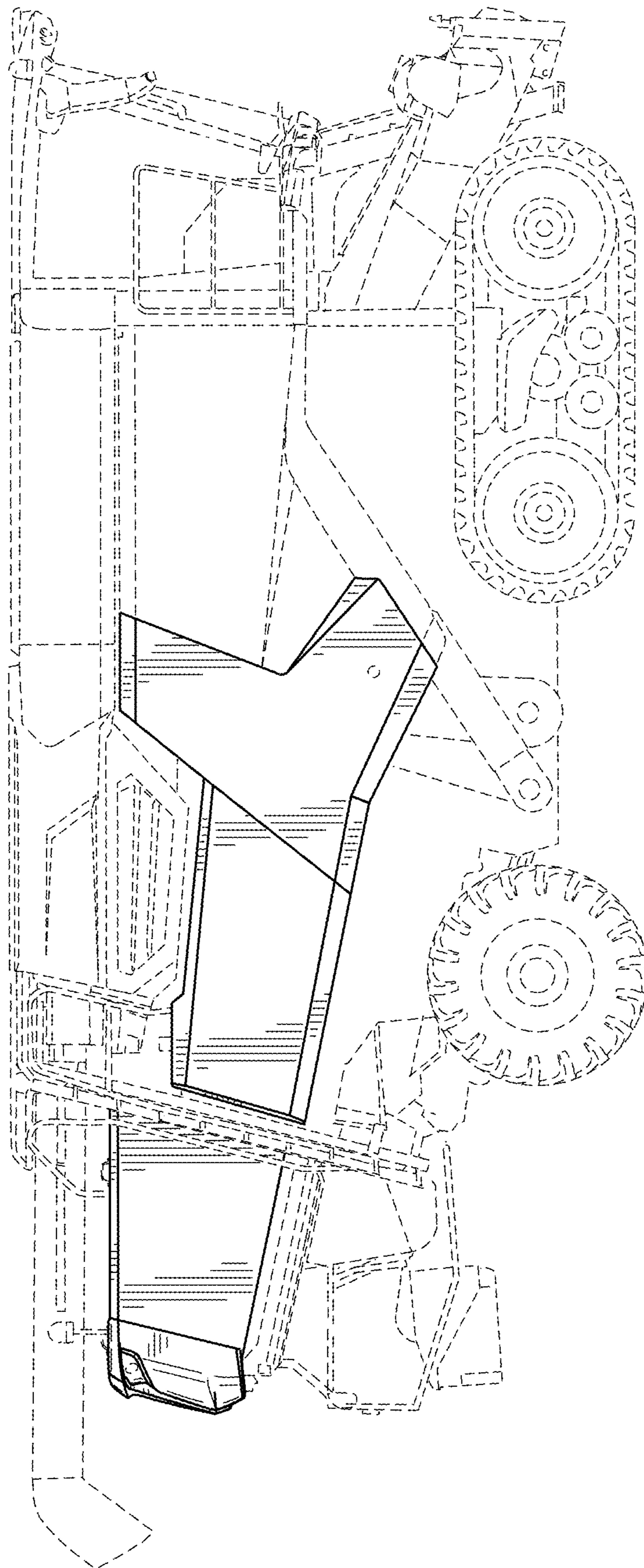


FIG. 6



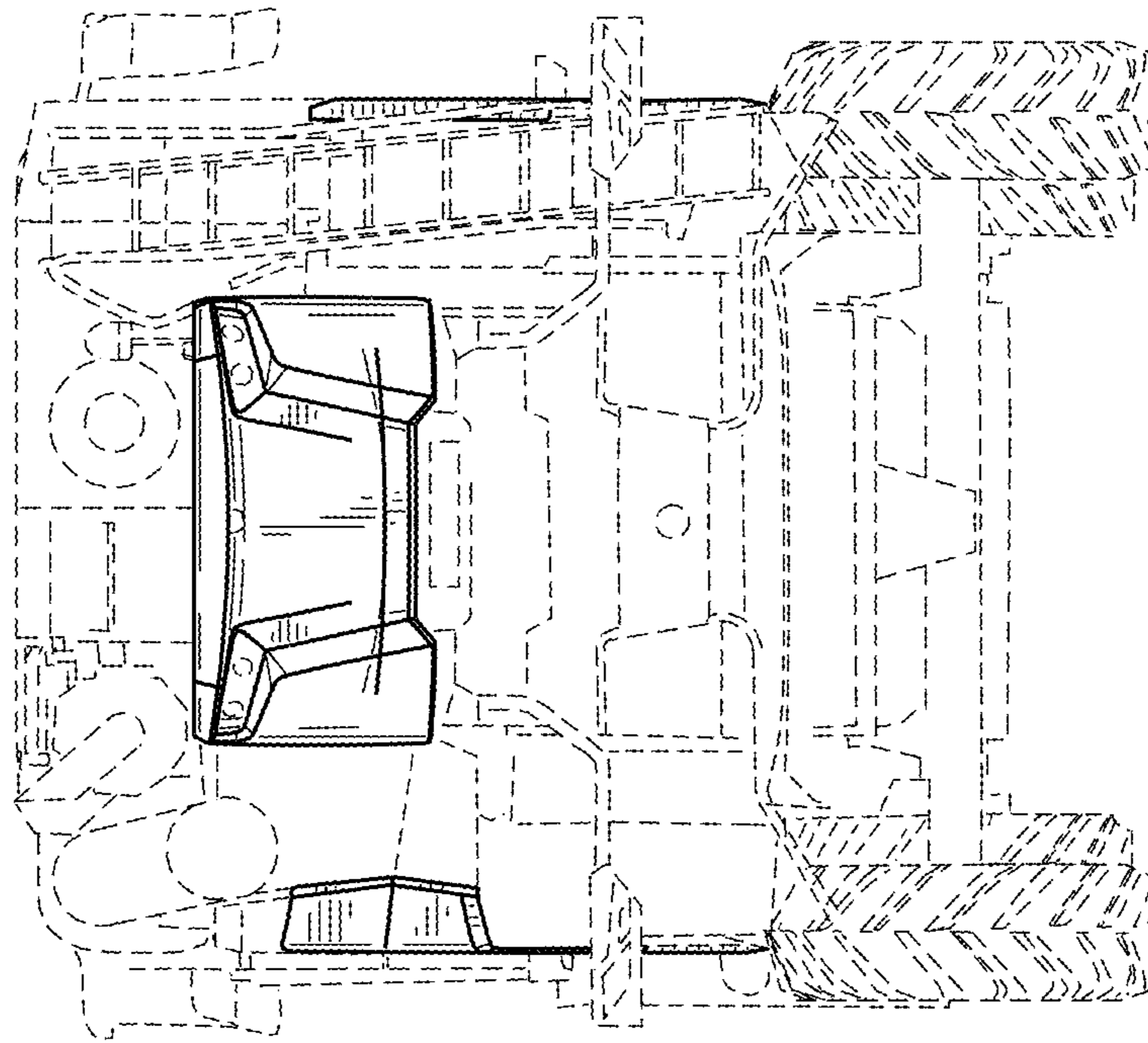


FIG. 7

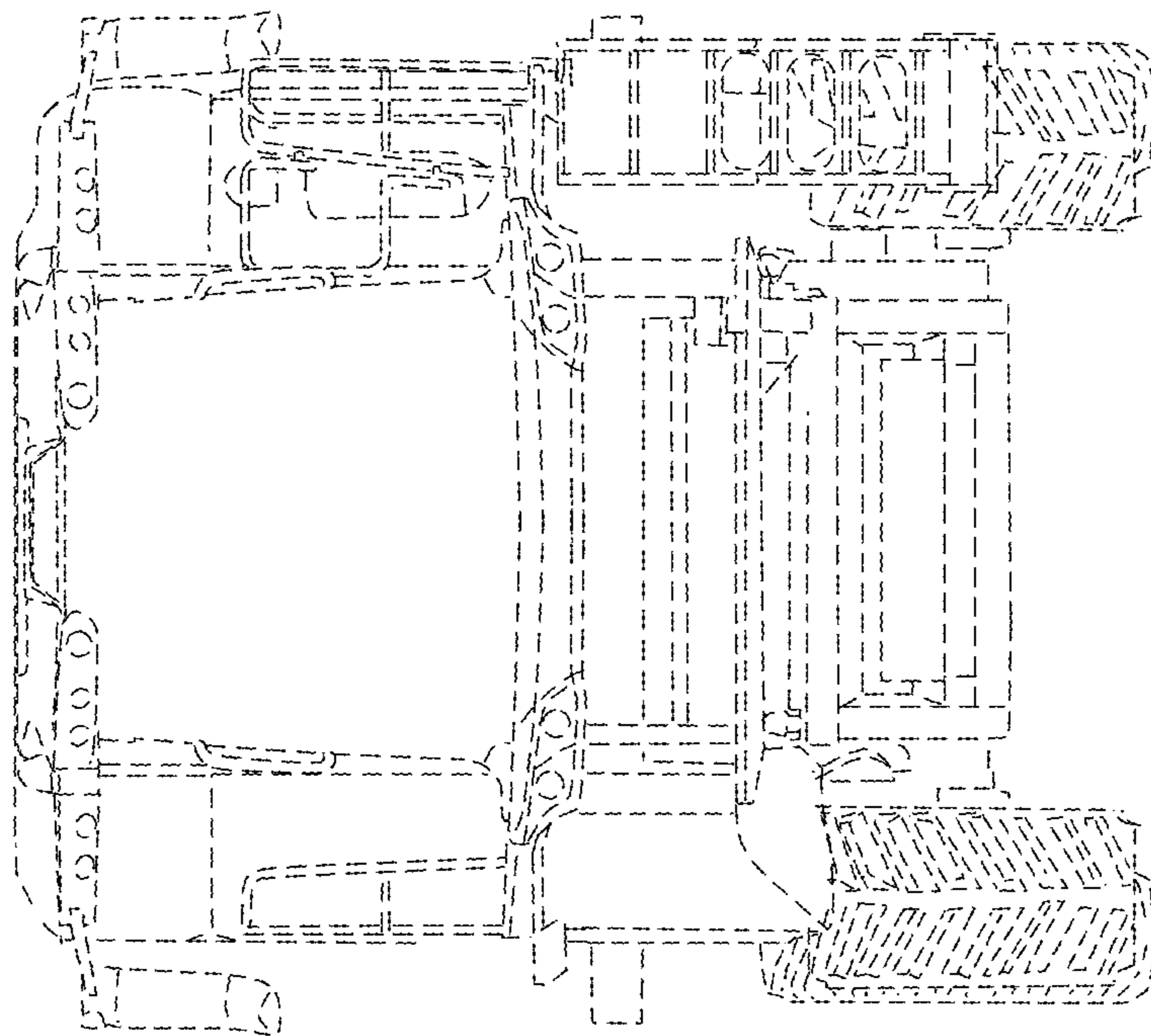


FIG. 8