



US00D957474S

(12) **United States Design Patent**
Wagner

(10) **Patent No.:** **US D957,474 S**
(45) **Date of Patent:** **** Jul. 12, 2022**

- (54) **COMBINE HARVESTER**
- (71) Applicant: **CLAAS KGaA mbH**, Harsewinkel (DE)
- (72) Inventor: **Thomas Wagner**, Gütersloh (DE)
- (73) Assignee: **CLAAS KGaA mbH**, Harsewinkel (DE)
- (**) Term: **15 Years**
- (21) Appl. No.: **29/771,506**
- (22) Filed: **Feb. 23, 2021**

D460,461	S	*	7/2002	Strong	D15/28
D566,138	S	*	4/2008	Forkert	D15/27
D568,342	S	*	5/2008	Kleingraeber	D15/26
D599,830	S	*	9/2009	Jacobsthal	D15/33
D639,826	S	*	6/2011	Barrel	D15/26
D717,345	S	*	11/2014	Budde	D15/26
D723,071	S	*	2/2015	Jacobsthal	D15/33
D765,738	S	*	9/2016	Treinen	D15/28
D797,813	S	*	9/2017	Budde	D15/26
D838,295	S	*	1/2019	Schwalbe	D15/26
10,626,576	B2	*	4/2020	Smekal	E02F 3/433
D888,108	S	*	6/2020	Loggan	D15/33
D892,175	S	*	8/2020	Leeb	D15/26
D895,688	S		9/2020	Wagner		
D898,782	S		10/2020	Wagner		
D943,644	S	*	2/2022	Gearhart	D15/31
2006/0254237	A1	*	11/2006	Ricketts	A01D 69/03 56/14.7

- (30) **Foreign Application Priority Data**
- Aug. 31, 2020 (EM) 008151047
- (51) **LOC (13) Cl.** **15-03**
- (52) **U.S. Cl.**
- USPC **D15/33; D15/26; D15/28**
- (58) **Field of Classification Search**
- USPC D15/10-12, 22-26, 28
- CPC A01B 73/00; A01D 75/00; A01D 41/06;
A01D 41/1208; A01D 41/00; A01D
67/00; A01D 45/00; A01D 45/02; A01D
45/021; A01D 43/081
- See application file for complete search history.

- (56) **References Cited**
- U.S. PATENT DOCUMENTS
- 3,384,232 A * 5/1968 Turnbull B62D 33/0617
209/11
- D245,420 S * 8/1977 Maucher D15/26
- D300,221 S * 3/1989 Odahara D15/24
- D309,738 S * 8/1990 Schober D15/26
- D399,851 S * 10/1998 Stauffer D15/28
- D400,543 S * 11/1998 Benedict D15/28
- D436,363 S * 1/2001 Strong D15/28

(Continued)

Primary Examiner — Mark A Goodwin
(74) *Attorney, Agent, or Firm* — Lempia Summerfield
Katz LLC

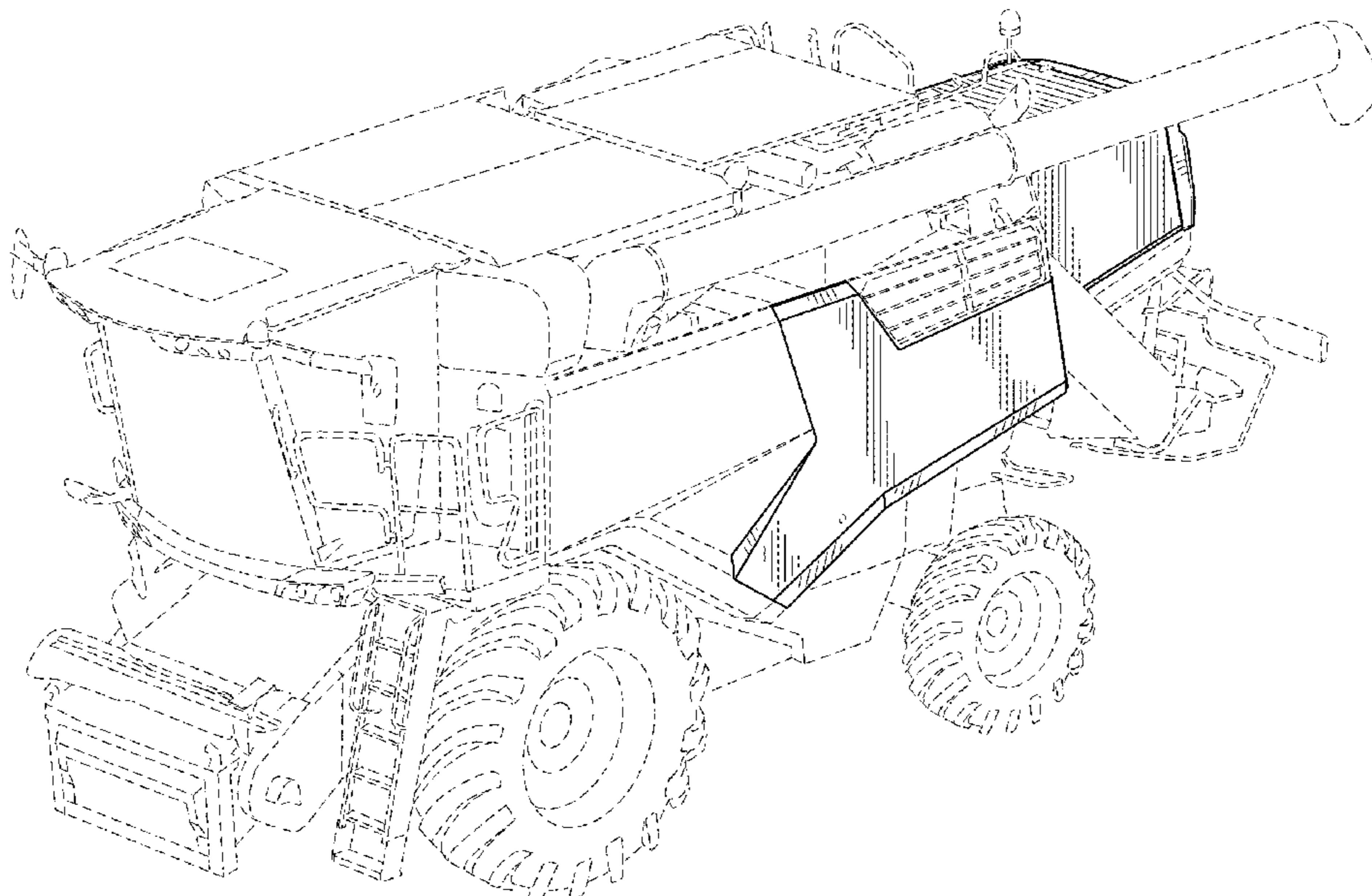
(57) **CLAIM**

I claim the ornamental design for a combine harvester, as shown and described.

DESCRIPTION

FIG. 1 is a front and left side perspective view of a combine harvester, showing my new design;
FIG. 2 is a front and right side perspective view thereof;
FIG. 3 is a rear and left side perspective view thereof;
FIG. 4 is a rear and right side perspective view thereof;
FIG. 5 is a left side view thereof;
FIG. 6 is a right side view thereof;
FIG. 7 is a rear view thereof; and,
FIG. 8 is a front view thereof.
Broken lines or shading shown in the figures are for illustrative purposes only and form no part of the claimed design.

1 Claim, 8 Drawing Sheets



(56)

References Cited

U.S. PATENT DOCUMENTS

2011/0147497 A1* 6/2011 Hiddema A01M 7/0014
239/722

* cited by examiner

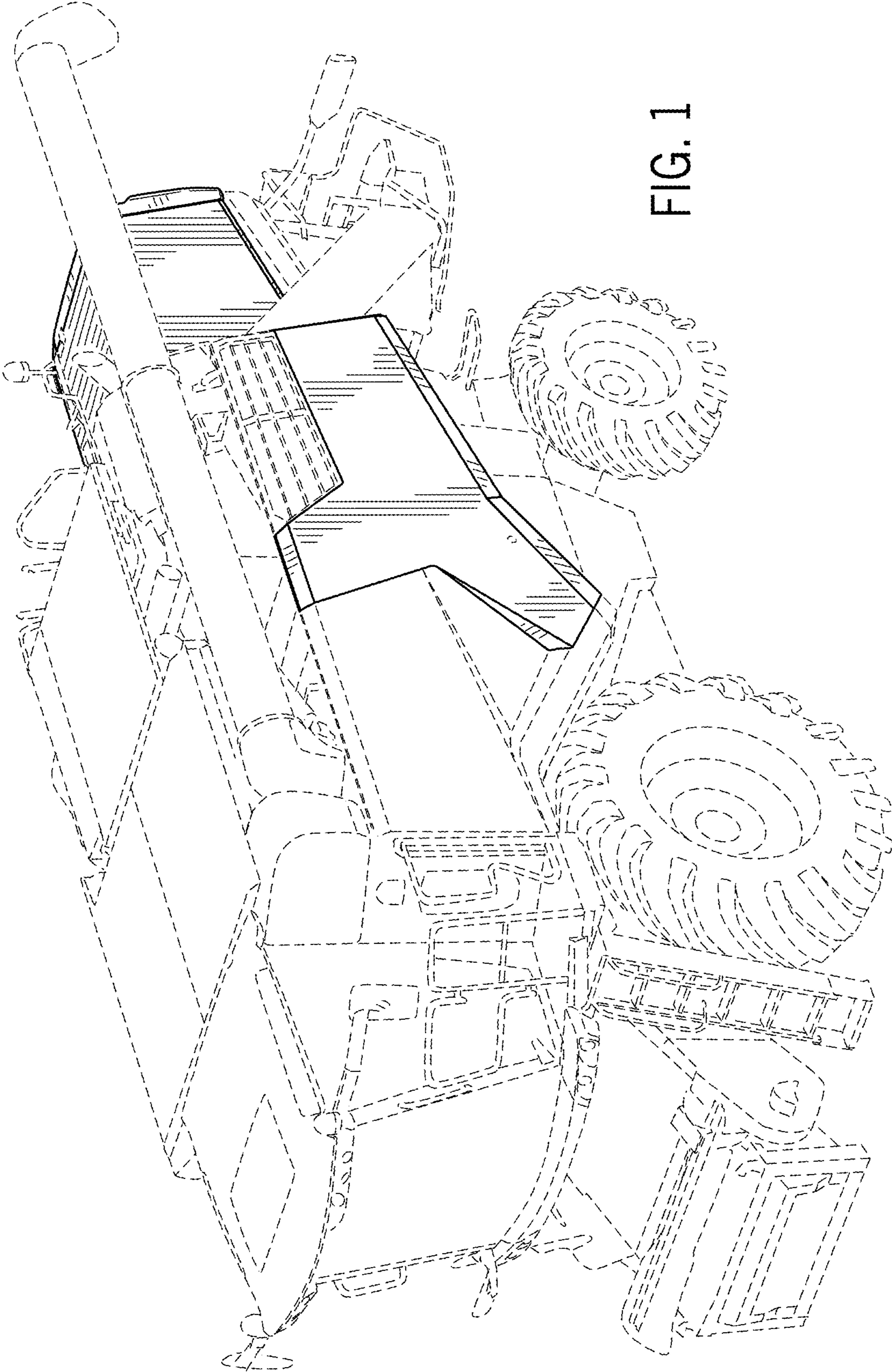


FIG. 1

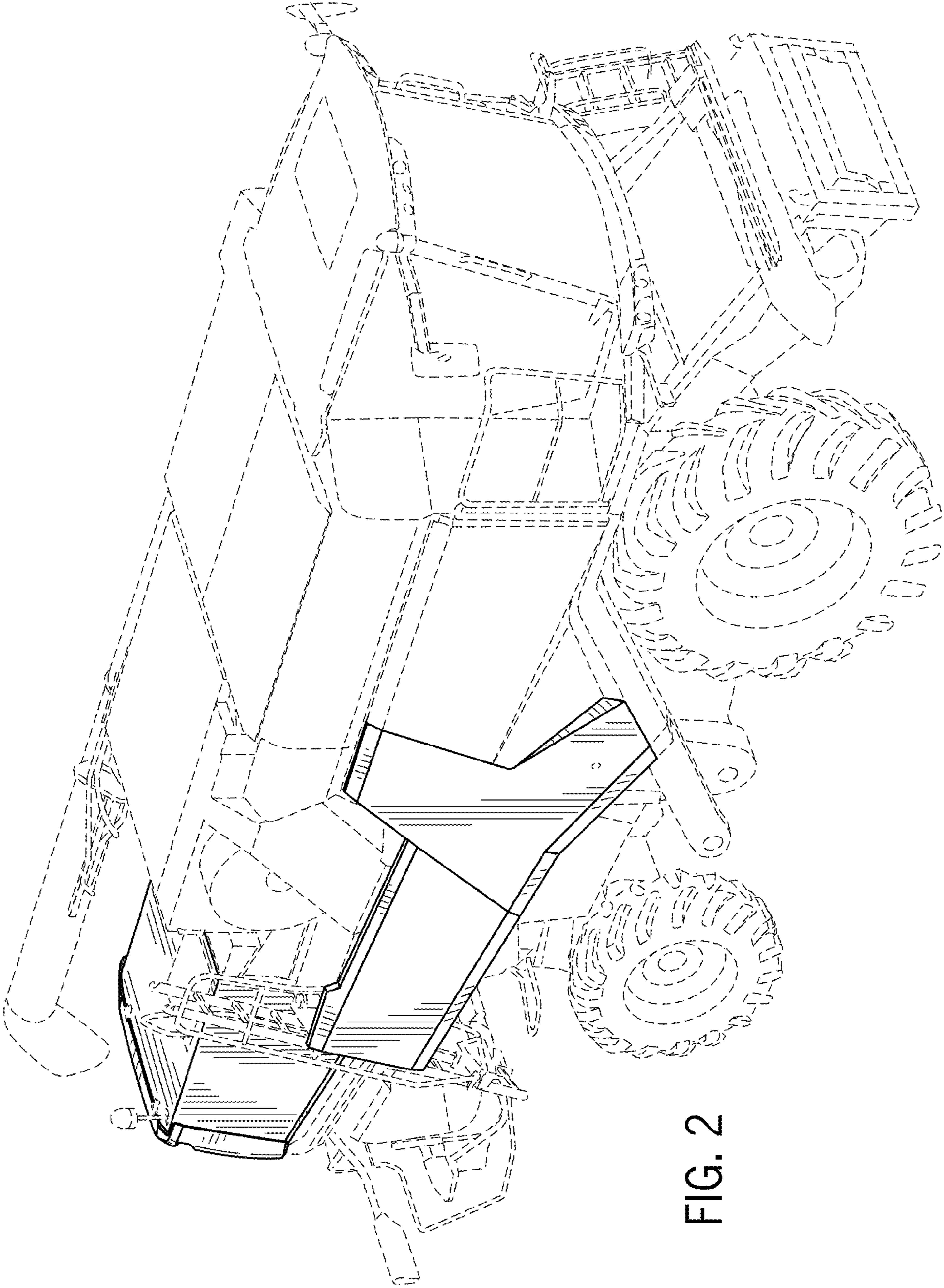


FIG. 2

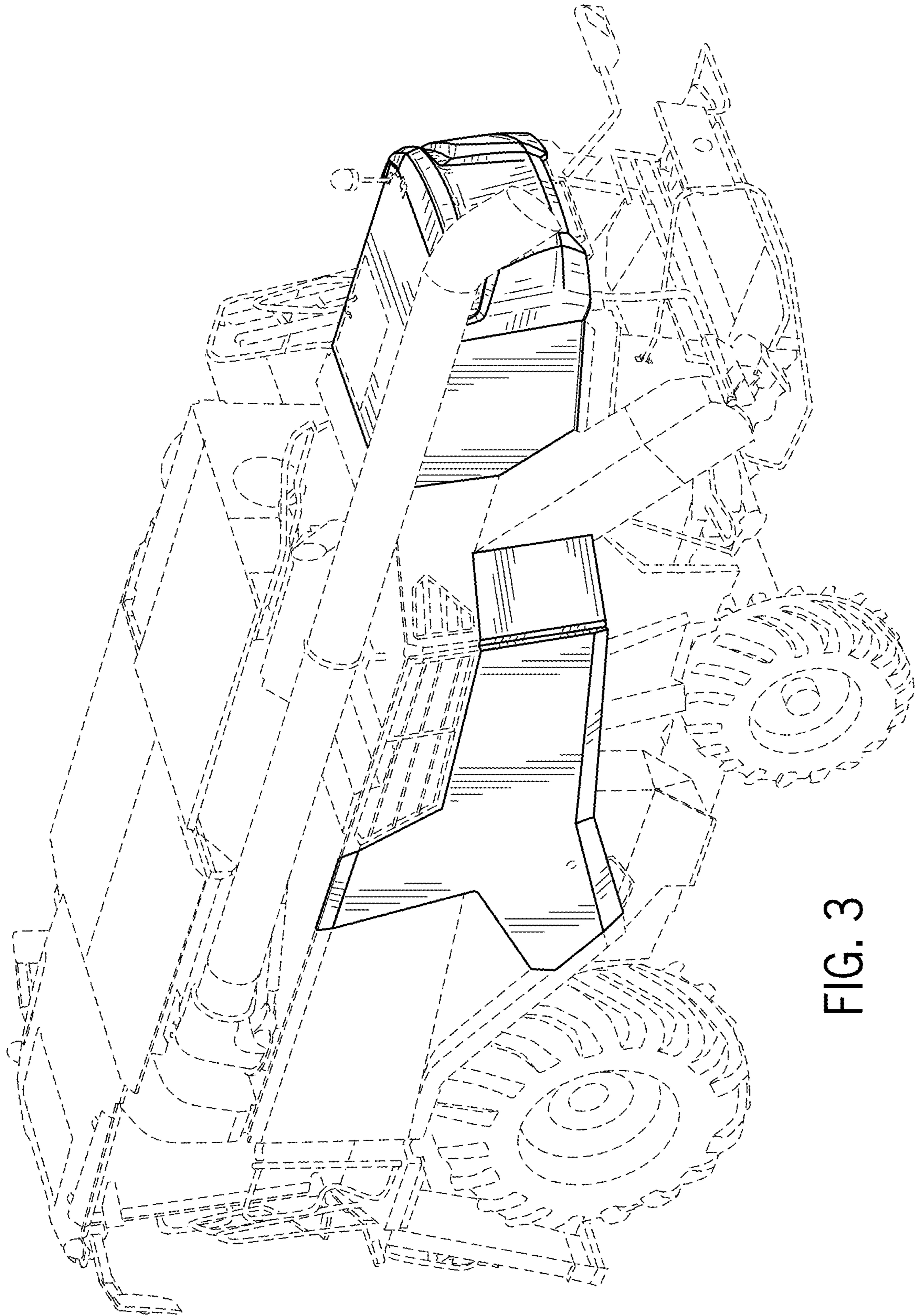


FIG. 3

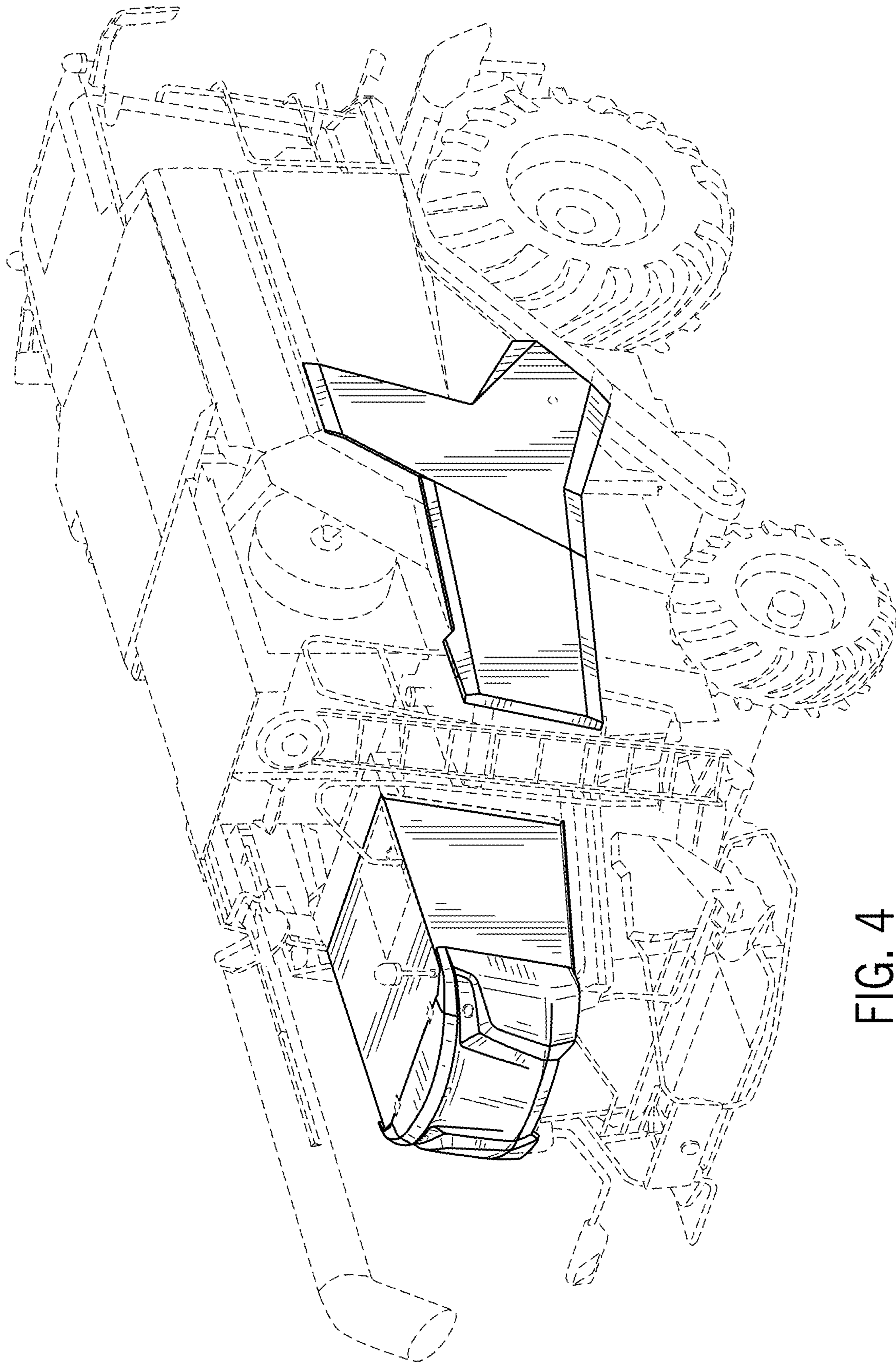


FIG. 4

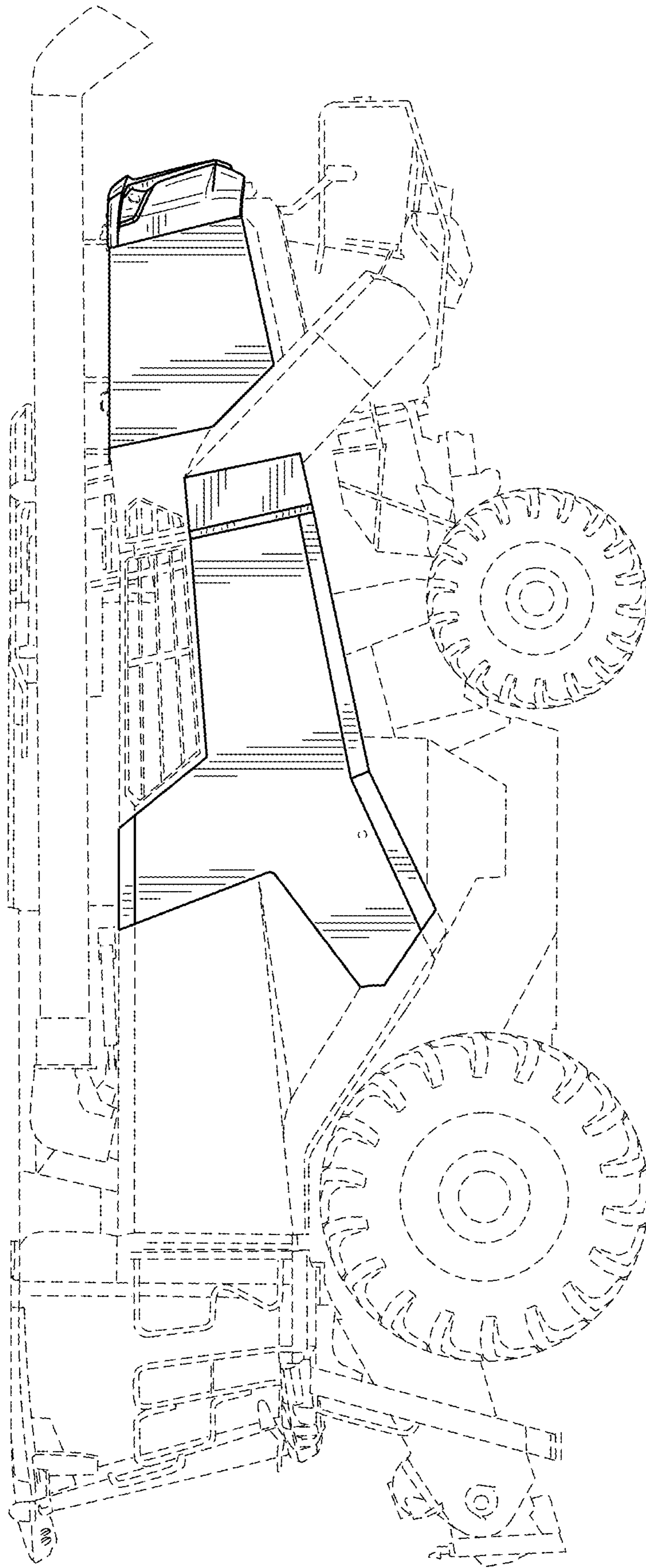


FIG. 5

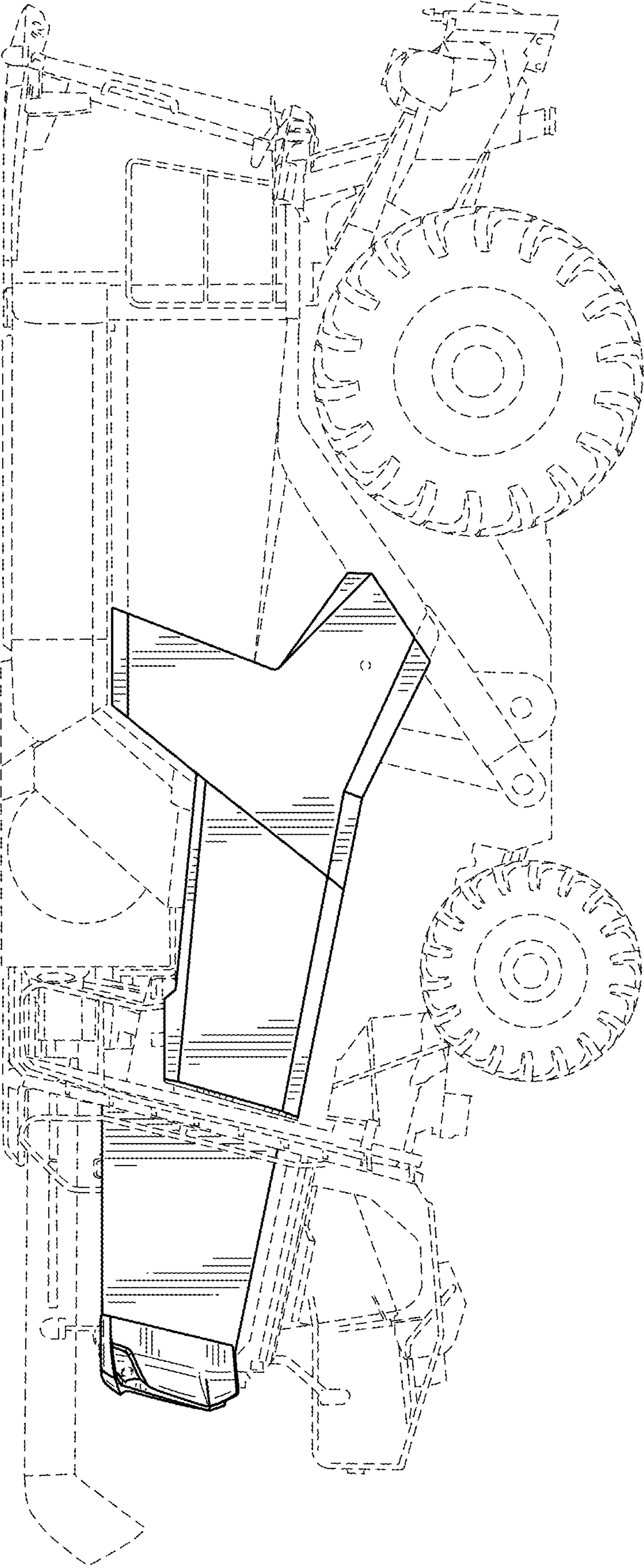


FIG. 6

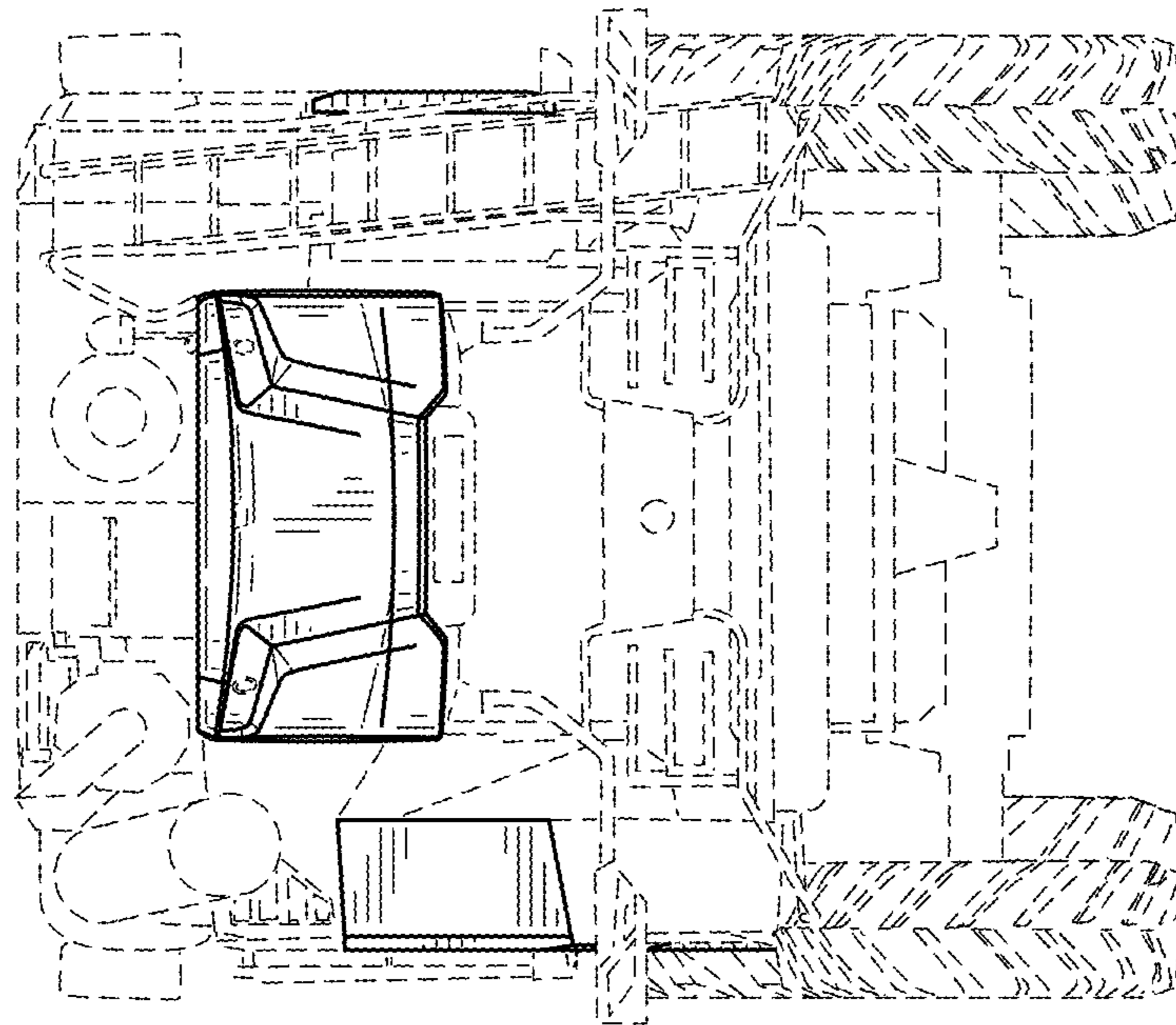


FIG. 7

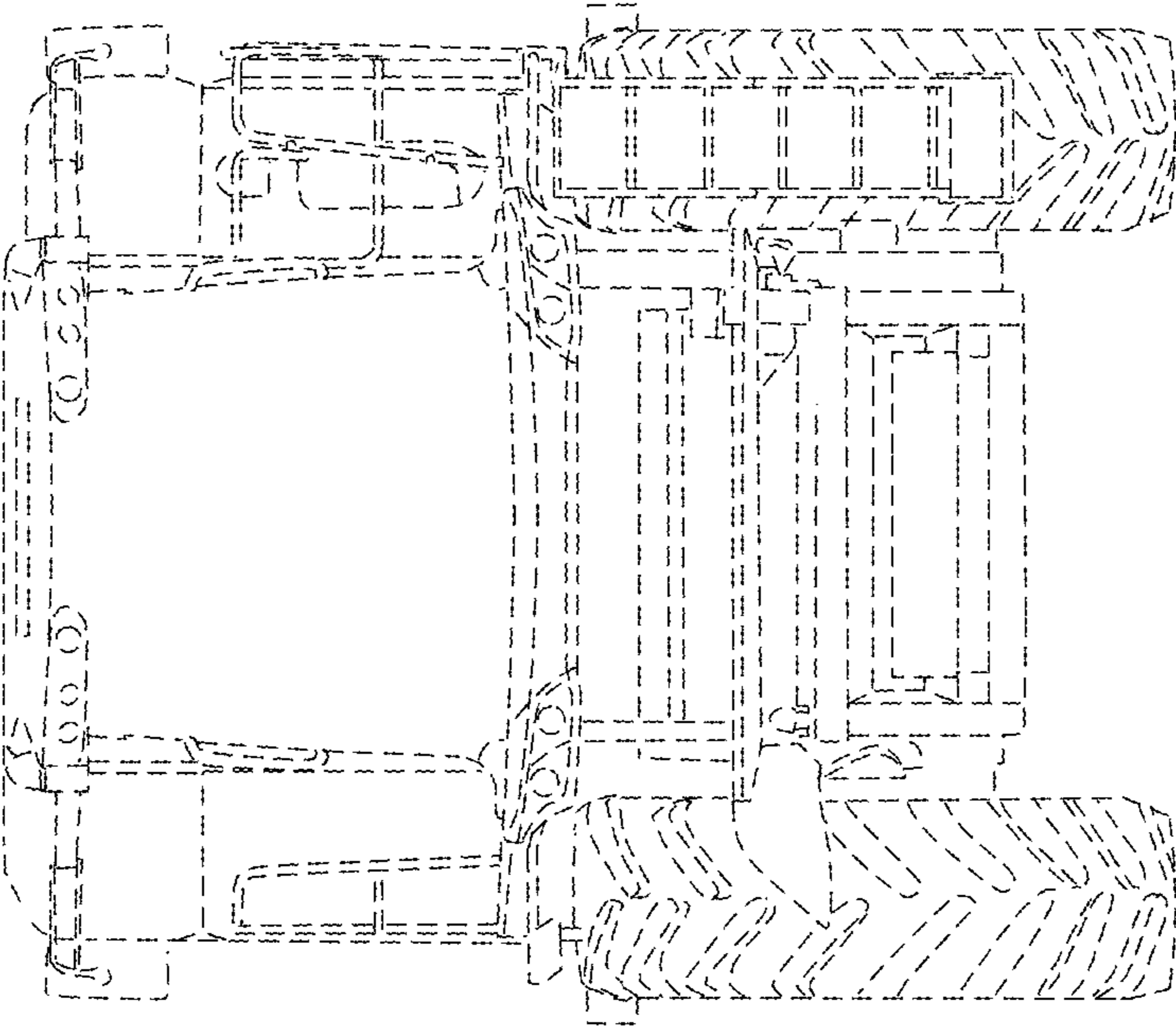


FIG. 8