



US00D957473S

(12) **United States Design Patent** (10) **Patent No.:** **US D957,473 S**
Behn et al. (45) **Date of Patent:** **** Jul. 12, 2022**

- (54) **CABIN OF A VIBRATORY ROLLER**
- (71) Applicant: **CATERPILLAR PAVING PRODUCTS INC.**, Brooklyn Park, MN (US)
- (72) Inventors: **Mark D. Behn**, St. Michael, MN (US); **Brian Nagel**, Ramsey, MN (US); **Terril Johnson**, Washington, IL (US); **Robert Iverson**, Maple Grove, MN (US); **Andrew Torkelson**, New Hope, MN (US)
- (73) Assignee: **Caterpillar Paving Products Inc.**, Brooklyn Park, MN (US)
- (**) Term: **15 Years**
- (21) Appl. No.: **29/790,761**
- (22) Filed: **Dec. 14, 2021**

Related U.S. Application Data

- (63) Continuation of application No. 29/779,840, filed on Apr. 21, 2021, now Pat. No. Des. 941,367, which is a continuation of application No. 29/746,331, filed on Aug. 13, 2020, now Pat. No. Des. 926,827, which is a continuation of application No. 29/691,256, filed on May 15, 2019, now Pat. No. Des. 899,468.
- (51) **LOC (13) Cl.** **15-03**
- (52) **U.S. Cl.**
USPC **D15/30**
- (58) **Field of Classification Search**
USPC D15/28, 30, 31, 22-26; D34/37
CPC .. B66C 13/54; E02F 9/16; E02F 9/163; E02F 9/06; B62D 33/0617; B62D 49/00-085; B62D 33/06-073; B60J 7/00; B60J 1/004; B60J 1/02; B60J 1/04; B60J 5/0487
See application file for complete search history.

(56) **References Cited**
U.S. PATENT DOCUMENTS

D396,431 S	7/1998	Lindgren et al.
D497,920 S	11/2004	Antonetti
D516,094 S	2/2006	Dötsch et al.
D528,134 S	9/2006	Vandendriessche et al.
D531,647 S	11/2006	Stender et al.
D541,825 S	5/2007	Pettersson
D541,826 S	5/2007	Brush et al.
D561,205 S	2/2008	Pettersson
D579,028 S	10/2008	VanDeVeer et al.
D603,881 S	11/2009	Tamplain, III et al.
D605,207 S	12/2009	Menges et al.
D611,505 S	3/2010	Loew et al.
D611,506 S	3/2010	Loew et al.
D660,881 S	5/2012	Bohme et al.
D667,851 S	9/2012	Warr
D668,269 S	10/2012	Tezuka et al.
D668,693 S	10/2012	Ringer
D668,694 S	10/2012	Tezuka et al.

(Continued)

Primary Examiner — Mark A Goodwin
(74) *Attorney, Agent, or Firm* — Finnegan, Henderson, Farabow, Garrett & Dunner LLP

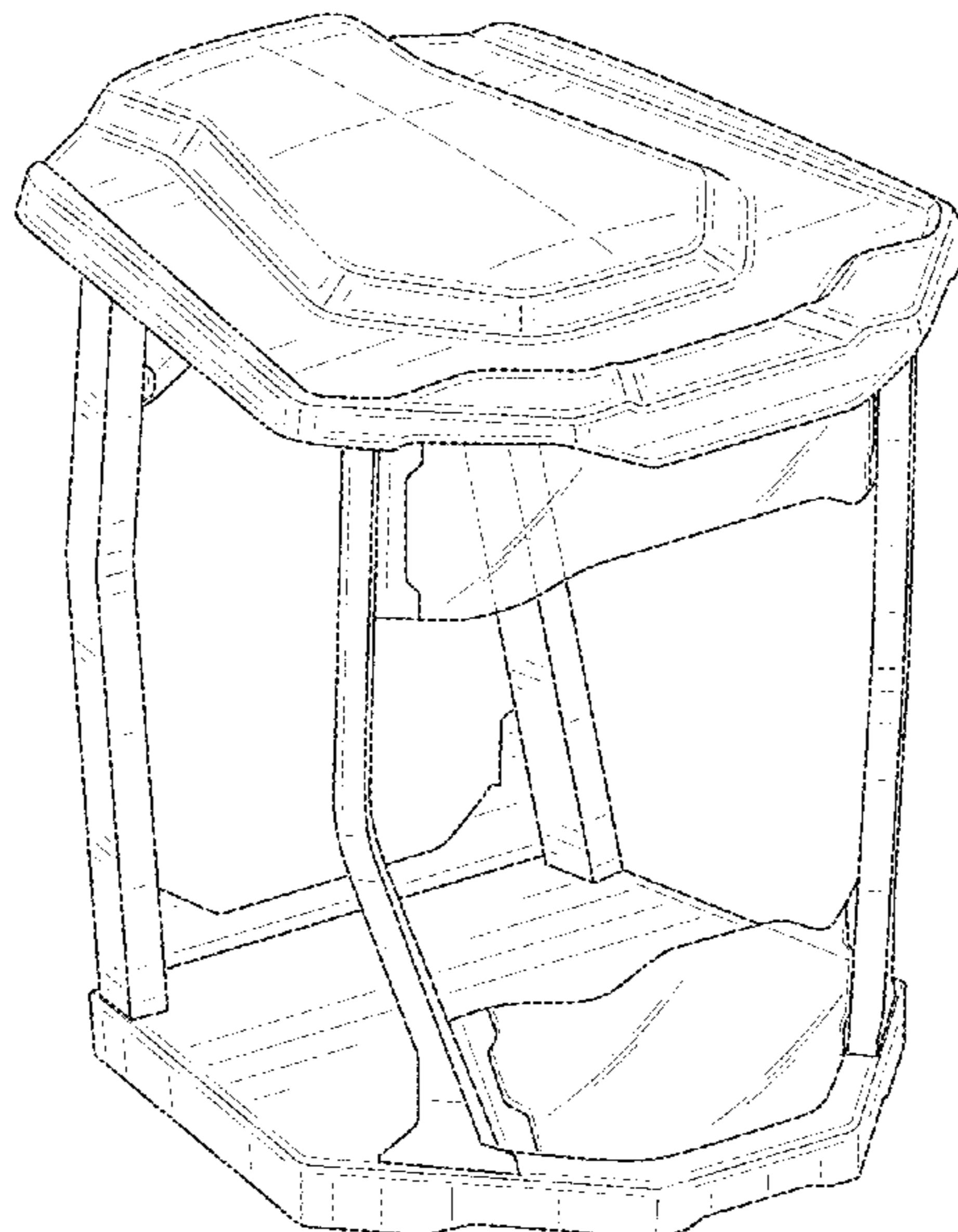
(57) **CLAIM**

The ornamental design for a cabin of a vibratory roller, as shown and described.

DESCRIPTION

FIG. 1 is a front, top, left perspective view of a cabin of a vibratory roller showing our new design; FIG. 2 is a rear, top, right perspective view thereof; FIG. 3 is rear, bottom, left perspective view thereof; FIG. 4 is a front elevation view thereof; FIG. 5 is a rear elevation view thereof; FIG. 6 is a left side view thereof; FIG. 7 is a right side view thereof; FIG. 8 is a top plan view thereof; and, FIG. 9 is a bottom plan view thereof.

1 Claim, 9 Drawing Sheets



(56)

References Cited

U.S. PATENT DOCUMENTS

D670,745 S	11/2012	Warr		D776,169 S *	1/2017	Cmich	D15/17
D671,566 S	11/2012	Fang et al.		D781,926 S *	3/2017	Al-Hashimi	D15/14
D676,463 S	2/2013	Ewringmann et al.		D796,555 S *	9/2017	Landberg	D15/17
D679,295 S *	4/2013	Tajik	D15/17	D796,557 S	9/2017	Loew et al.	
D681,065 S *	4/2013	Maeda	D15/17	D800,792 S	10/2017	Loew et al.	
D687,868 S	8/2013	Watson et al.		D800,793 S	10/2017	Loew et al.	
D694,278 S	11/2013	Ewringmann		D819,704 S	6/2018	Loew et al.	
D694,279 S	11/2013	Ewringmann		D852,232 S *	6/2019	Eidson	D15/17
D695,793 S	12/2013	Ewringmann		D853,450 S	7/2019	Loew	
D699,764 S	2/2014	Loew et al.		D854,587 S	7/2019	Ninomiya	
D707,728 S	6/2014	Imashige et al.		D866,616 S	11/2019	Jilbert	
D718,339 S *	11/2014	Damshak	D15/17	D871,462 S	12/2019	Svitek et al.	
D718,341 S *	11/2014	Gur	D15/17	D874,524 S	2/2020	Iwata	
D718,793 S *	12/2014	Gur	D15/14	D877,209 S	3/2020	Winkei	
D720,779 S	1/2015	Loew et al.		D880,532 S *	4/2020	Gunnarsson	D15/17
D736,270 S	8/2015	Jackson et al.		D881,252 S *	4/2020	Vestberg	D15/199
D742,937 S	11/2015	Ewringmann et al.		D889,517 S *	7/2020	Prybor	D15/17
D744,543 S	12/2015	Loew et al.		D890,219 S *	7/2020	Tat	D15/17
D745,063 S	12/2015	Loew et al.		D928,202 S *	8/2021	Li	D15/17
D745,897 S *	12/2015	Mehra	D15/17	D940,761 S *	1/2022	Mehra	D15/17
D749,148 S	2/2016	Darekar et al.		2004/0028472 A1	2/2004	Richter	
D758,455 S *	6/2016	Maibach	D15/17	2006/0147265 A1	7/2006	Fluent et al.	
D760,806 S *	7/2016	Cmich	D15/17	2012/0114416 A1	5/2012	Marsolek et al.	
D765,735 S	9/2016	Roemer et al.		2012/0301221 A1	11/2012	Ackermann et al.	
				2014/0161529 A1	6/2014	Darscheid et al.	
				2015/0204031 A1	7/2015	Kreutz	

* cited by examiner

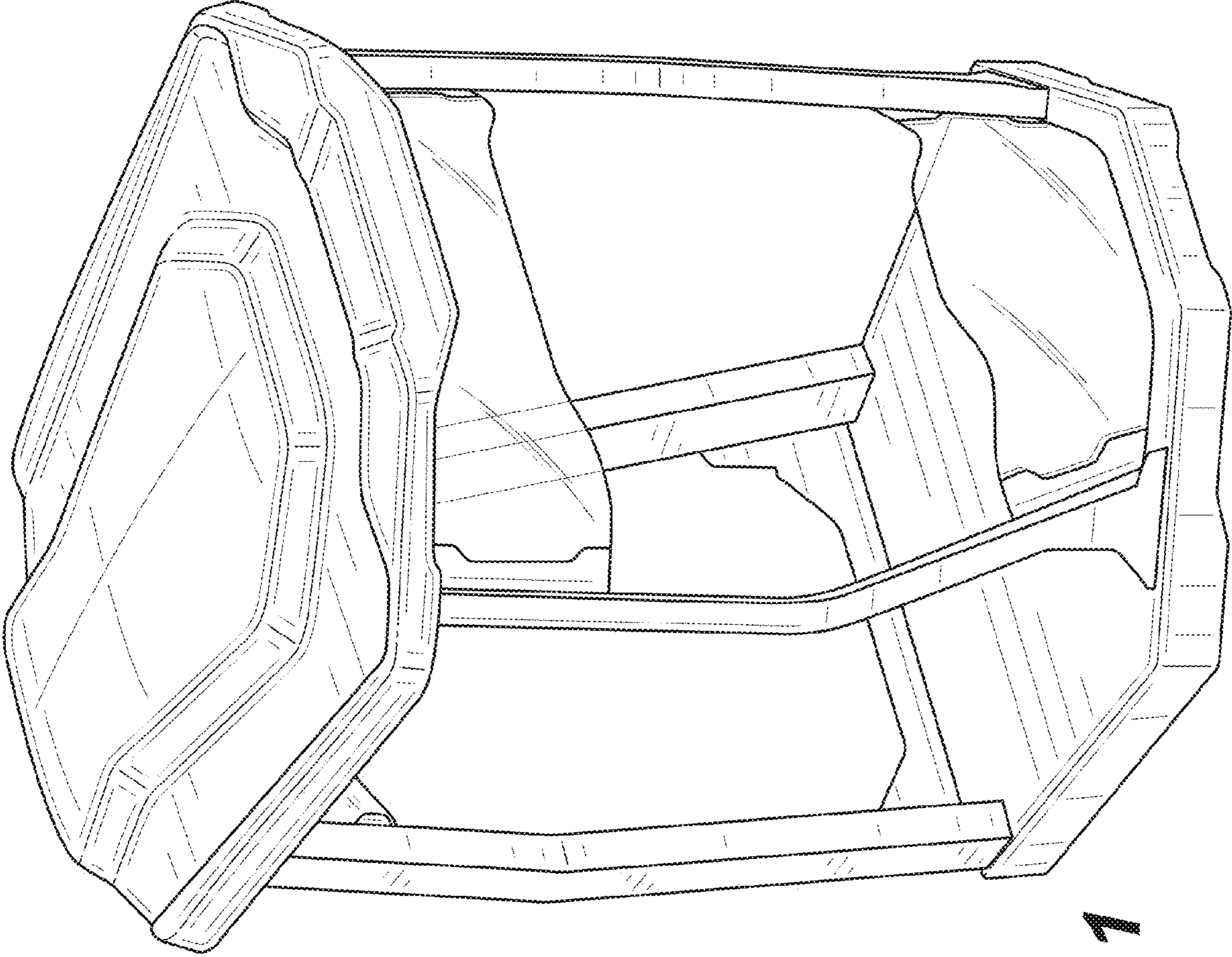


FIG. 1

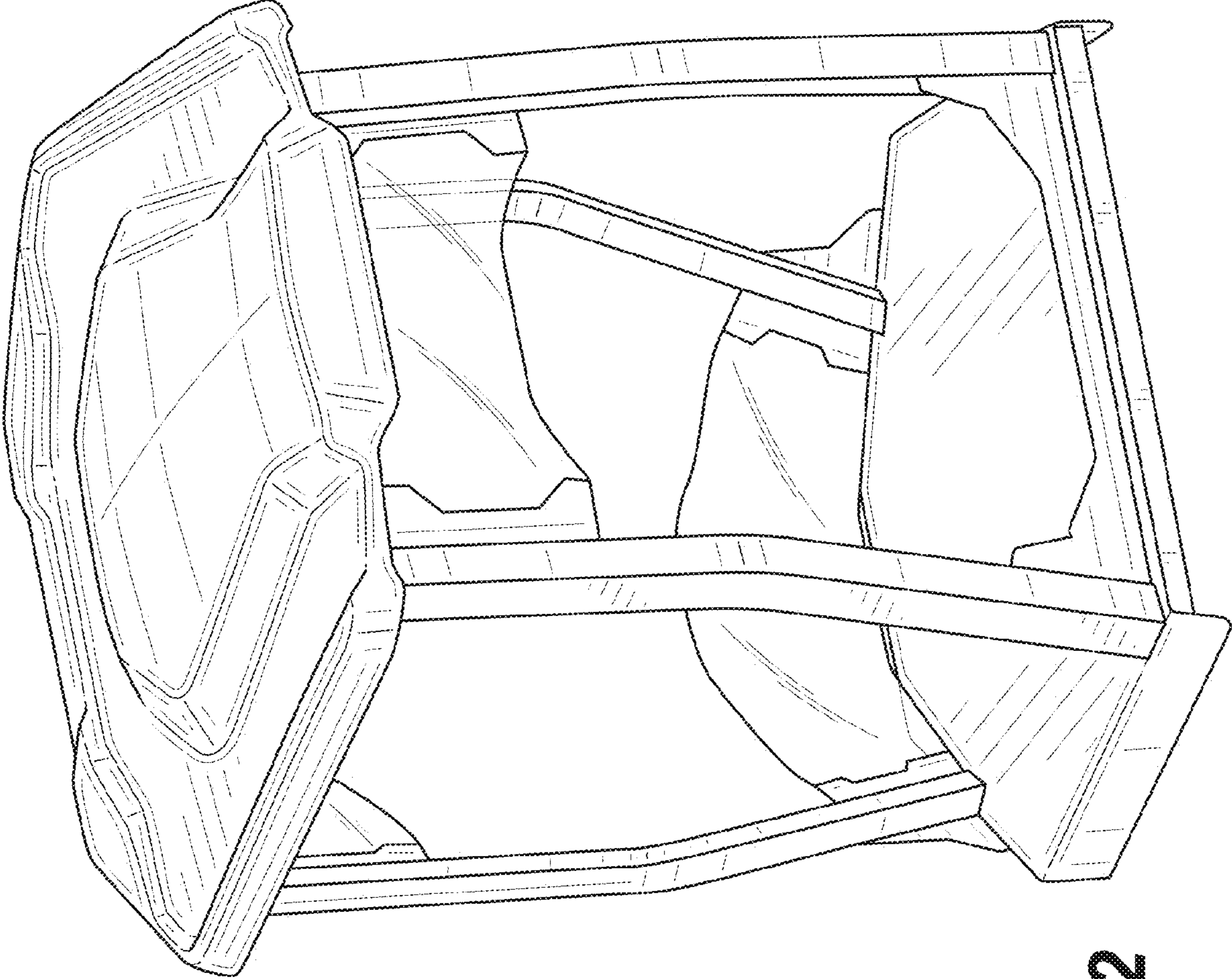


FIG. 2

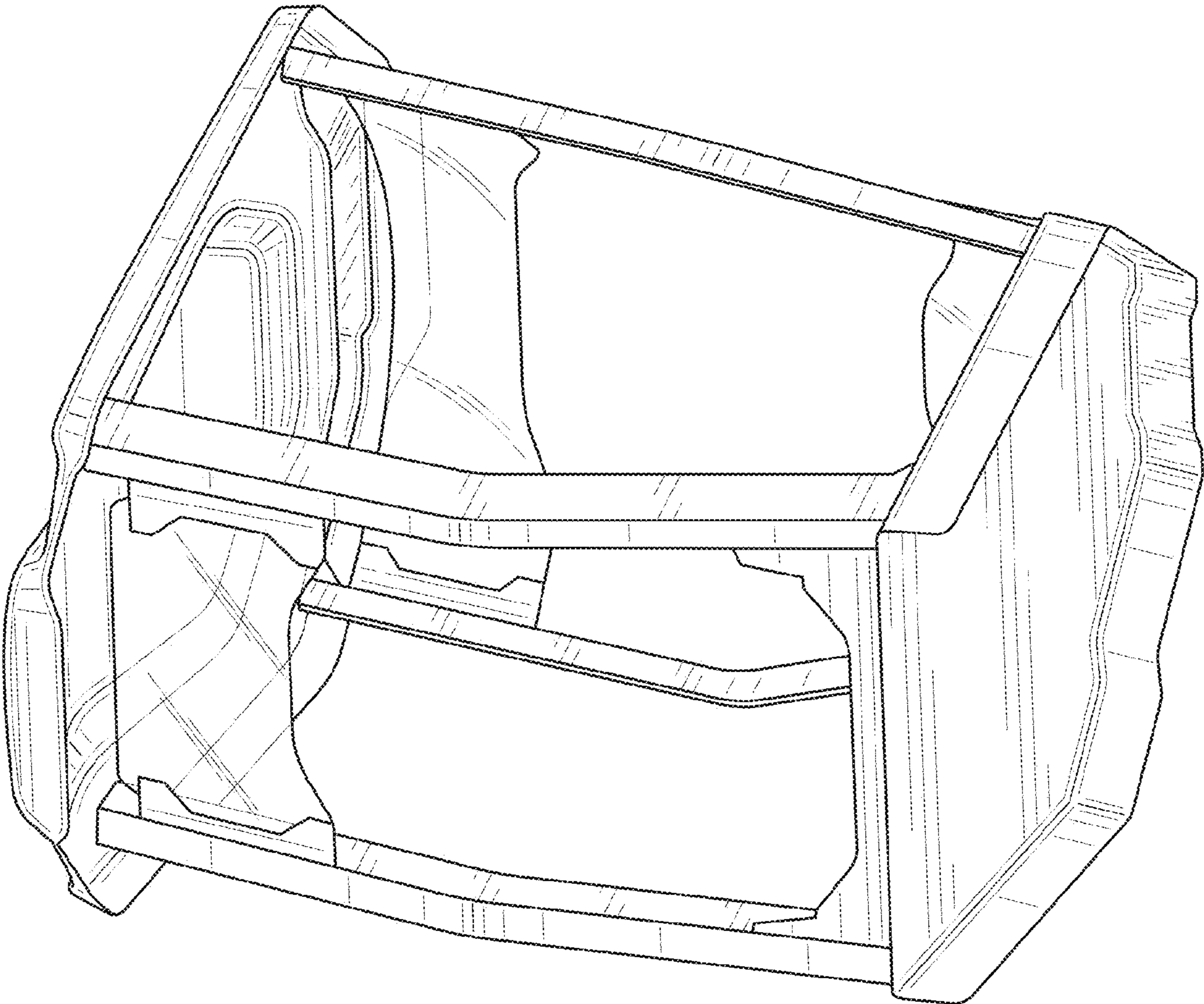


FIG. 3

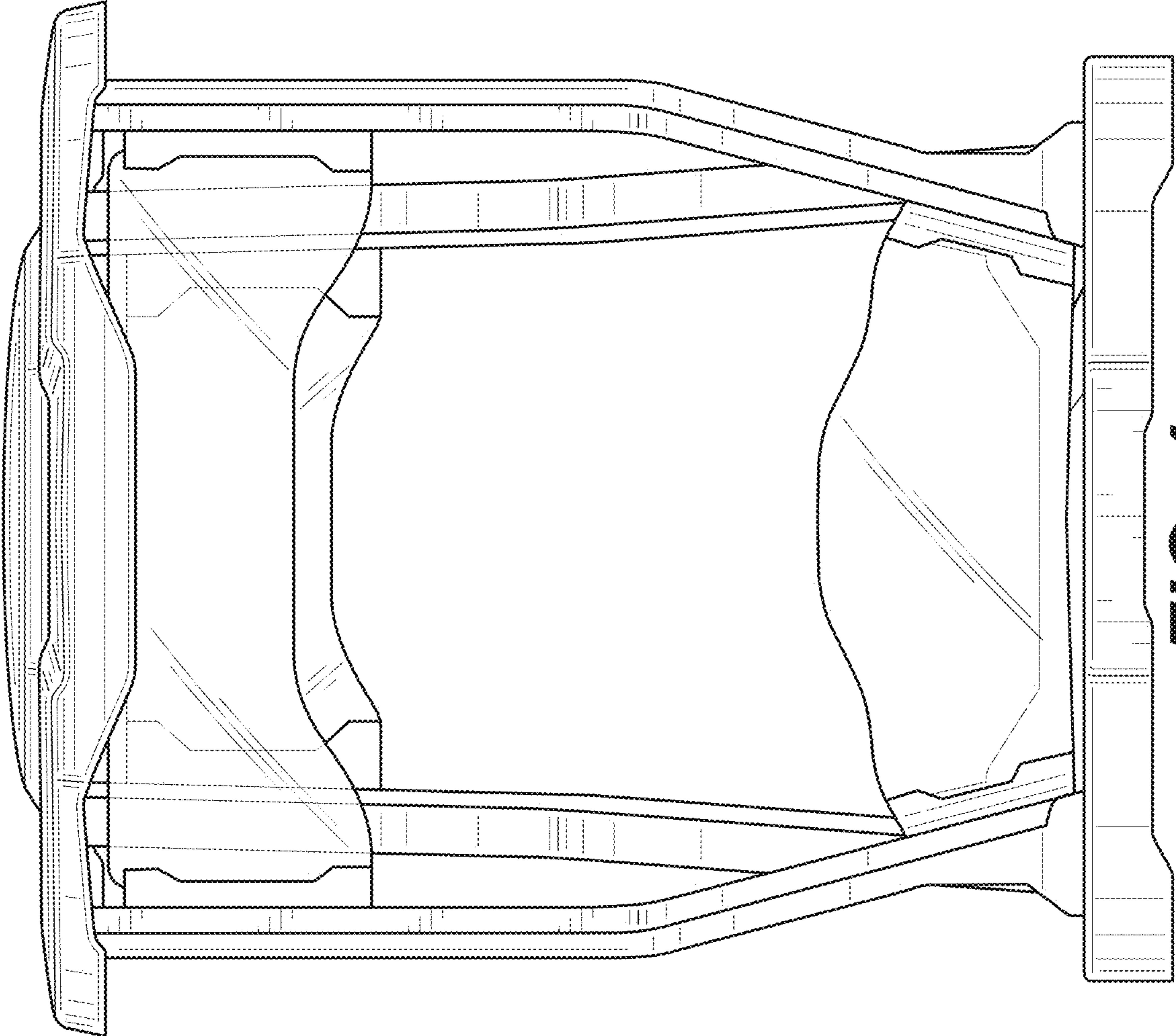


FIG. 4

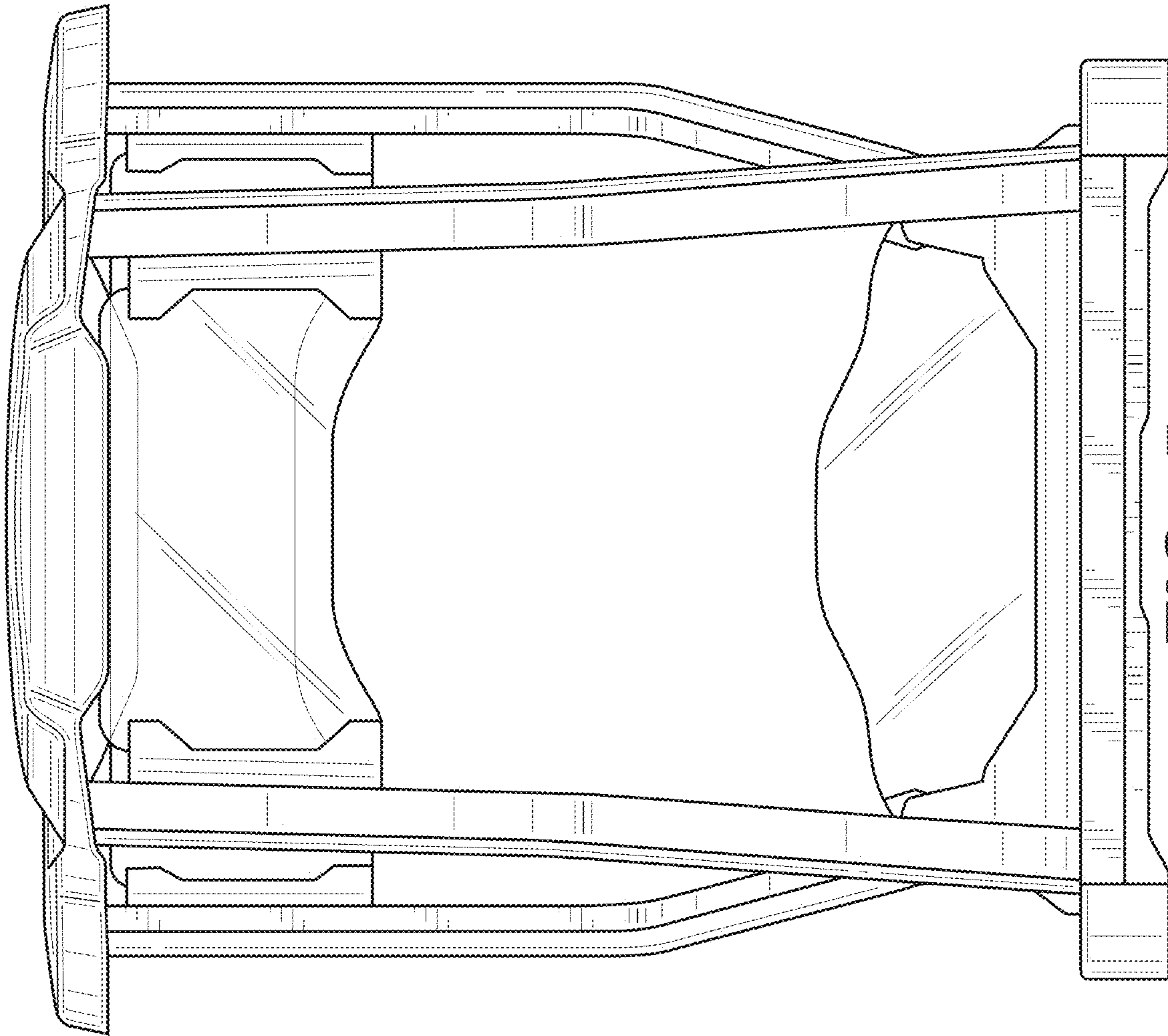


FIG. 5

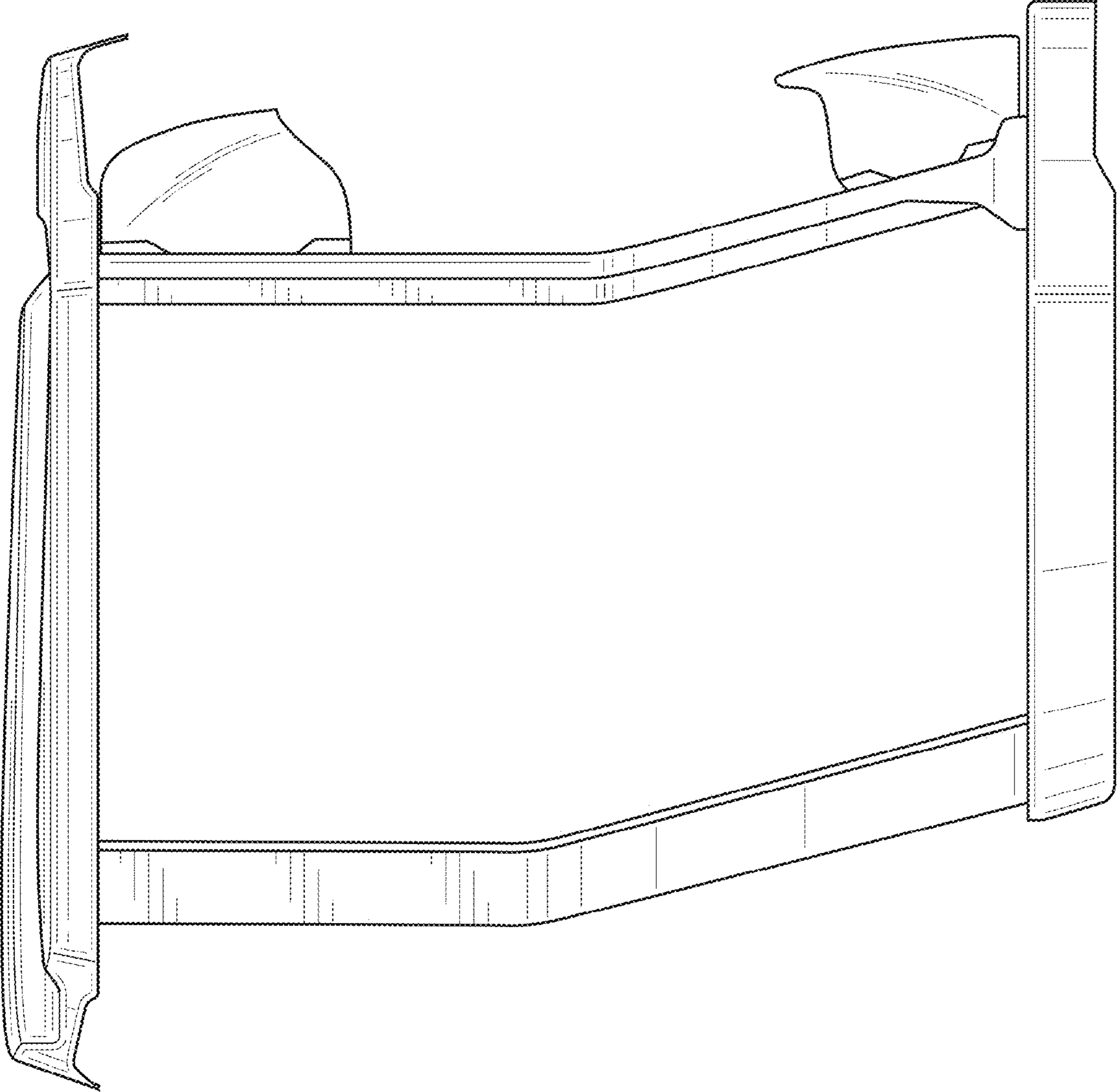


FIG. 6

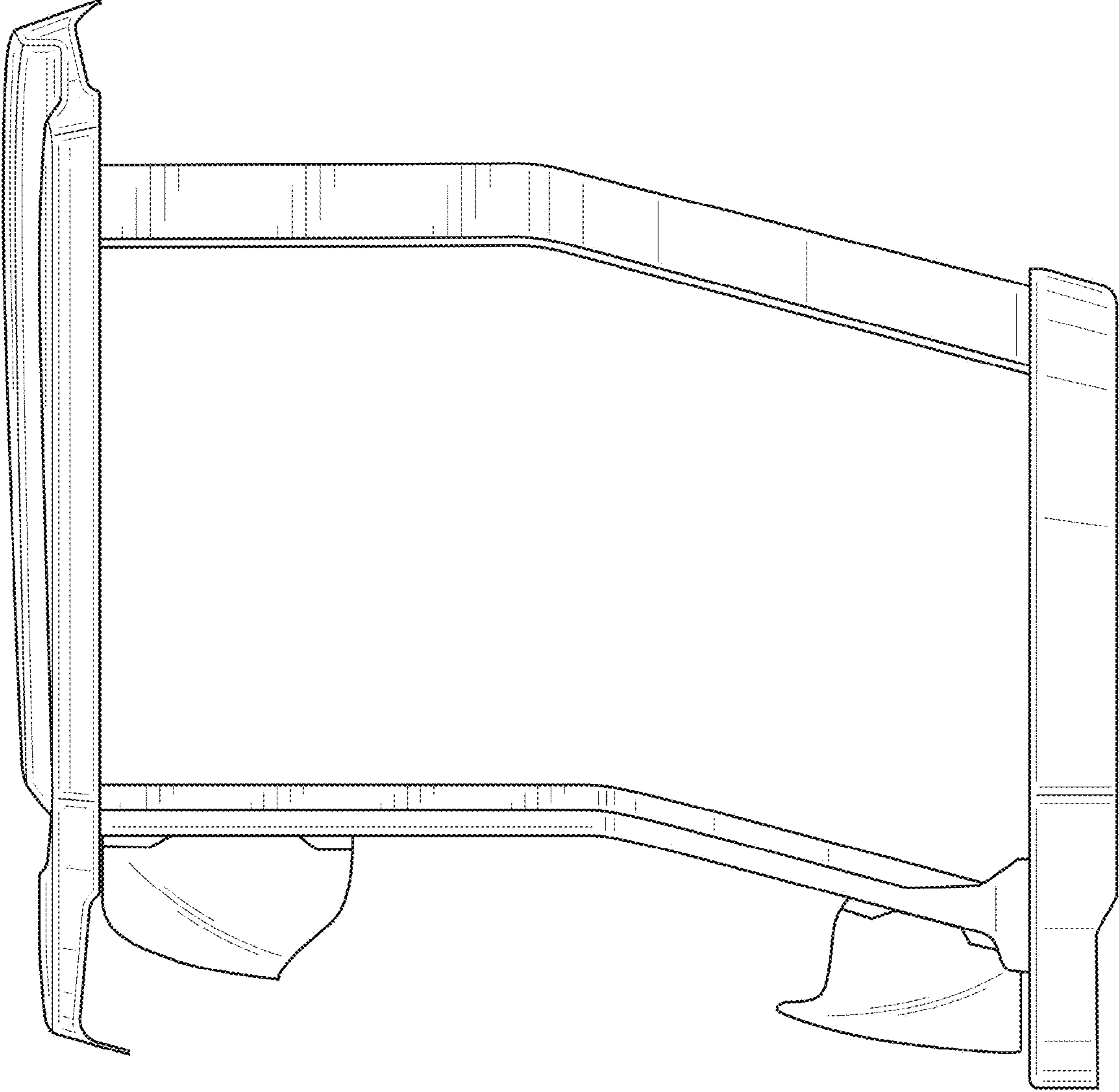


FIG. 7

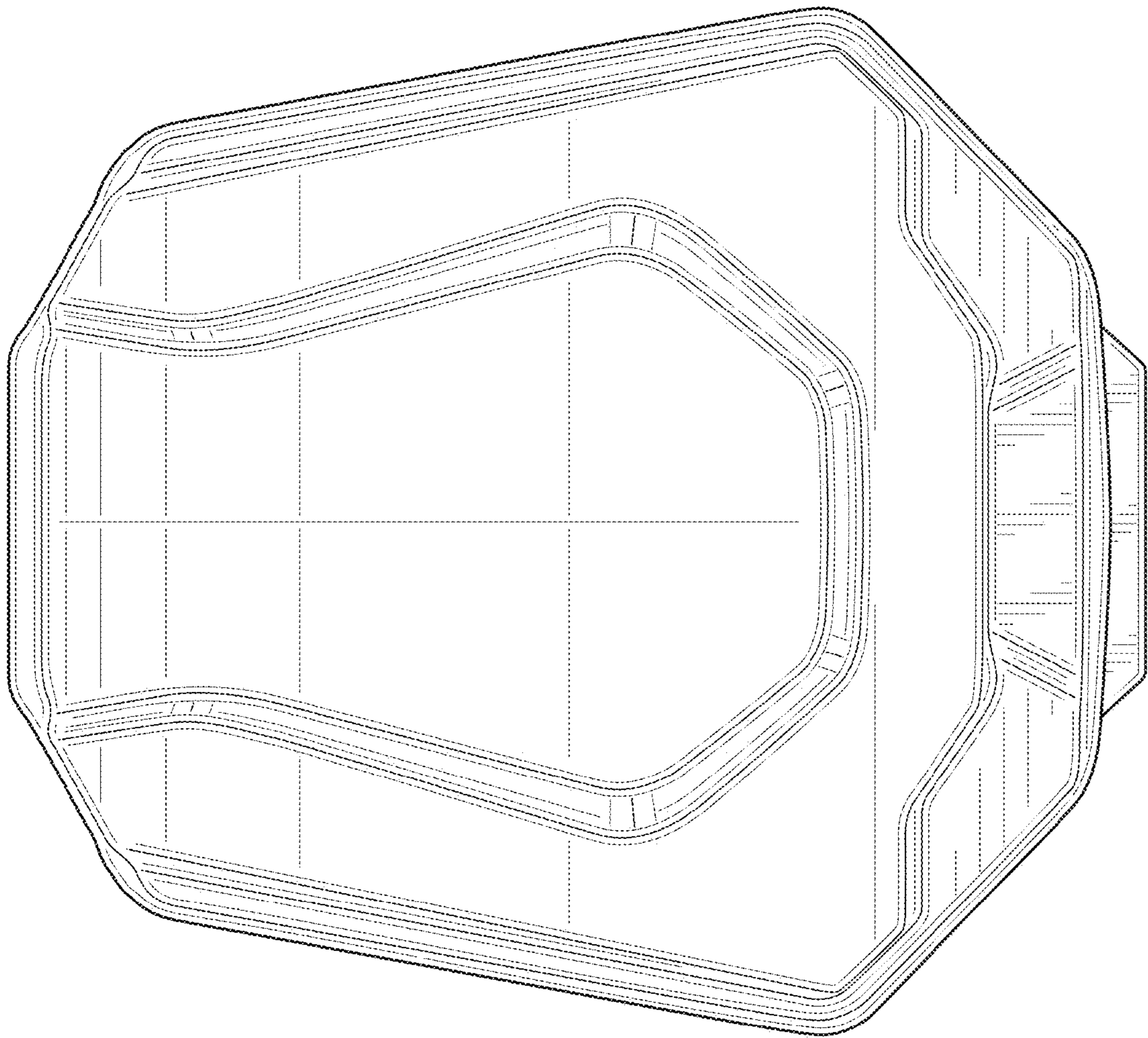


FIG. 8

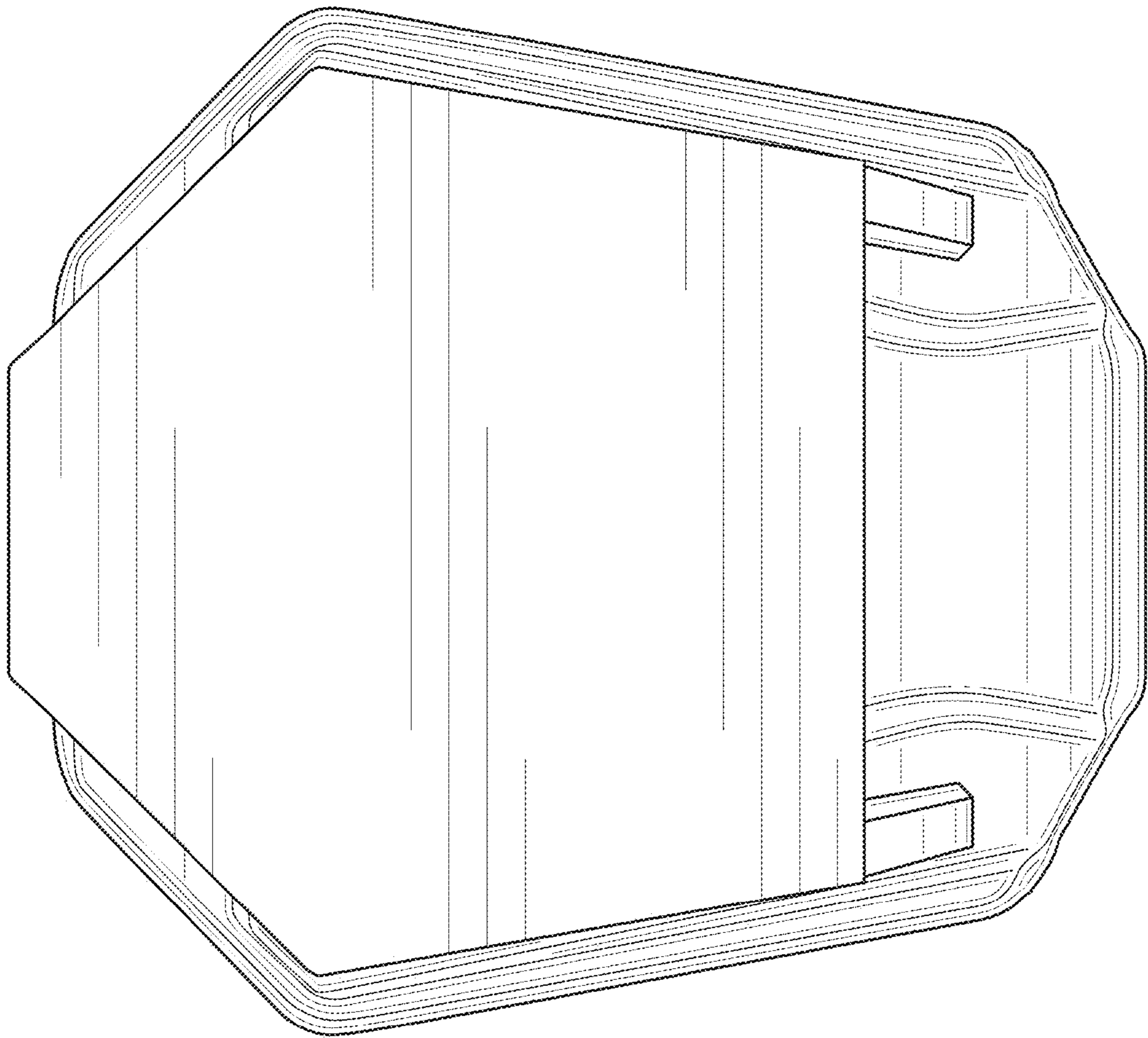


FIG. 9