



US00D957468S

(12) **United States Design Patent** (10) **Patent No.:** **US D957,468 S**  
**Wang** (45) **Date of Patent:** **\*\* Jul. 12, 2022**

(54) **AIR PUMP**  
(71) Applicant: **Quanfei Wang**, Zhejiang (CN)  
(72) Inventor: **Quanfei Wang**, Zhejiang (CN)  
(\*\*) Term: **15 Years**

D926,229 S \* 7/2021 He ..... D15/7  
D926,399 S \* 7/2021 Luo ..... D32/21  
D926,721 S \* 8/2021 Kim ..... D14/204  
D928,374 S \* 8/2021 Zheng ..... D26/60  
2012/0300962 A1\* 11/2012 Devoto ..... H04R 5/02  
381/300

(21) Appl. No.: **29/769,652**  
(22) Filed: **Feb. 7, 2021**  
(51) **LOC (13) Cl.** ..... **15-02**  
(52) **U.S. Cl.**  
USPC ..... **D15/7**  
(58) **Field of Classification Search**  
USPC ..... D8/61, 68; D15/7-9; D24/111, 108,  
D24/110; D10/57; D28/9, 57, 62, 93,  
D28/99; D7/300-321  
CPC .... F04B 53/00; F04B 39/123; F04B 2205/05;  
F04B 41/12; F04B 41/02; F04B 49/00;  
F04B 49/022; F04B 49/06; B60S 5/04;  
B60S 5/046; B05B 7/00  
See application file for complete search history.

FOREIGN PATENT DOCUMENTS

CN 306432540 \* 4/2021  
CN 306542014 \* 5/2021  
CN 307011098 \* 12/2021

OTHER PUBLICATIONS

Redflower, Tire Inflator Portable Air Compressor, (first available Sep. 21, 2021), Amazon.com, URL:<<https://www.amazon.com/dp/B09GM2HRWS>> (Year: 2021).\*

(Continued)

*Primary Examiner* — Calvin E Vansant  
*Assistant Examiner* — Mark T. Philipps

(57) **CLAIM**

The ornamental design for a air pump, as shown and described.

**DESCRIPTION**

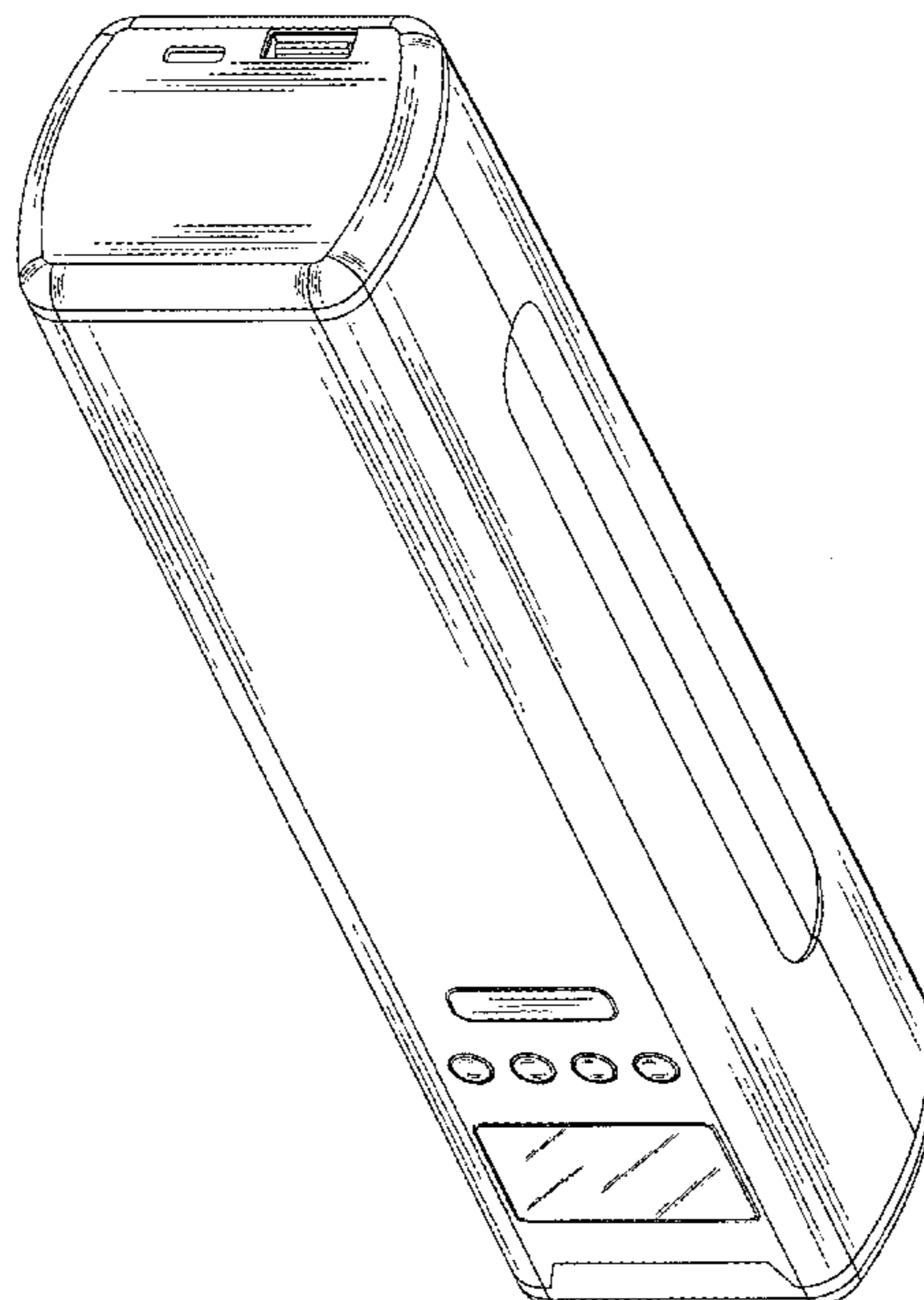
FIG. 1 is a rear and bottom perspective view of a air pump showing my new design;  
FIG. 2 is a front and top perspective view thereof;  
FIG. 3 is a front elevation view thereof;  
FIG. 4 is a rear elevation view thereof;  
FIG. 5 is a left side elevation view thereof;  
FIG. 6 is a right side elevation view thereof;  
FIG. 7 is a top plan view thereof; and,  
FIG. 8 is a bottom plan view thereof.  
The broken lines in the drawings depict portions of the air pump that form no part of the claimed design.

**1 Claim, 8 Drawing Sheets**

(56) **References Cited**

U.S. PATENT DOCUMENTS

D467,941 S 12/2002 Duncan  
D504,409 S \* 4/2005 Kim ..... D14/203.3  
D640,648 S \* 6/2011 Luo ..... D14/125  
D669,095 S 10/2012 Chang  
D718,785 S \* 12/2014 Bang ..... D14/496  
D719,932 S \* 12/2014 Osborn ..... D14/214  
D749,056 S \* 2/2016 Xin ..... D14/214  
D834,620 S 11/2018 Neir et al.  
D842,490 S \* 3/2019 Gan ..... D24/215  
D876,486 S \* 2/2020 Chen ..... D15/9  
D892,866 S 8/2020 Chen  
D905,119 S 12/2020 Wang  
D908,736 S 1/2021 Yang  
D916,933 S \* 4/2021 Sun ..... D15/7



(56)

**References Cited**

OTHER PUBLICATIONS

Acpuri, Portable Air Compressor Tire Inflator: 12V DC Auto Tire Pump, (first available Sep. 11, 2021), Amazon.com, URL:<<https://www.amazon.com/Portable-Air-Compressor-Tire-Inflator/dp/B09F6D4QQL>> (Year: 2021).\*

Dexpole, Cordless Tire Inflator Portable Air Compressor for Car, (first available May 29, 2021), Amazon.com, URL:<<https://www.amazon.com/Cordless-Inflator-Portable-Compressor-Electric/dp/B0965KZ6MH>> (Year: 2021).\*

Tacklife, X1 Rechargeable Cordless Tire Inflator, (site visited Dec. 28, 2021), Newegg.com website, URL:<<https://www.newegg.com/p/0K9-00SD-00002>> (Year: 2021).\*

\* cited by examiner

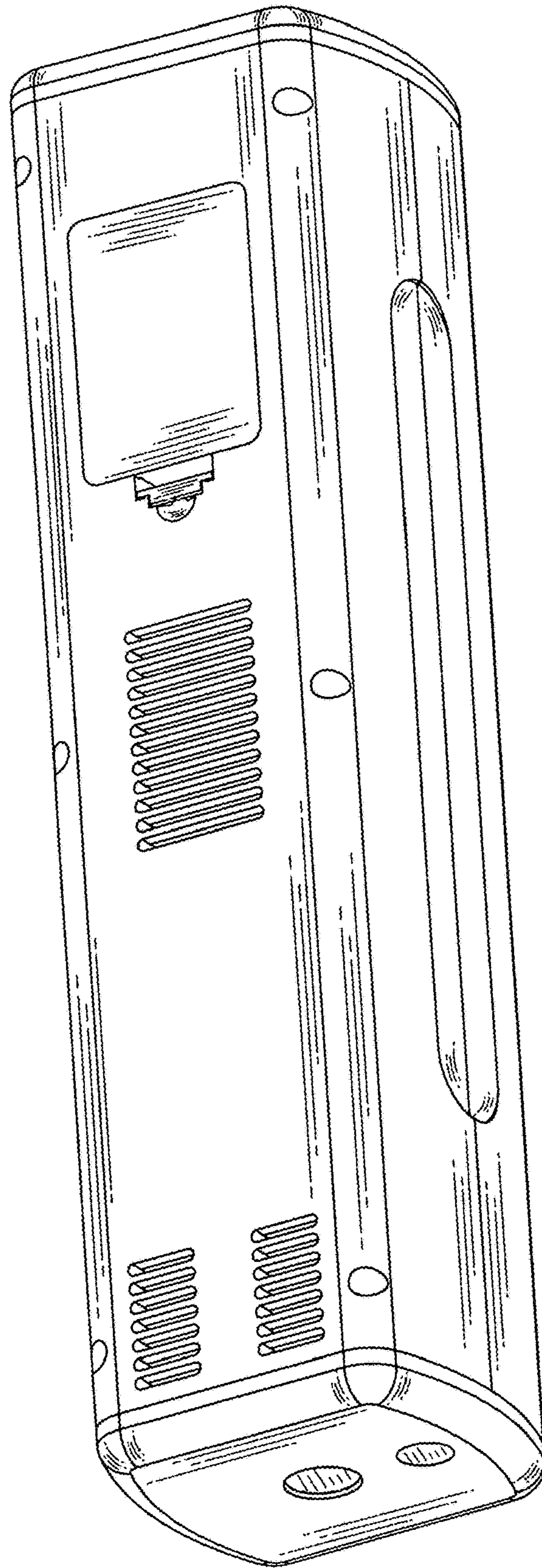


FIG. 1



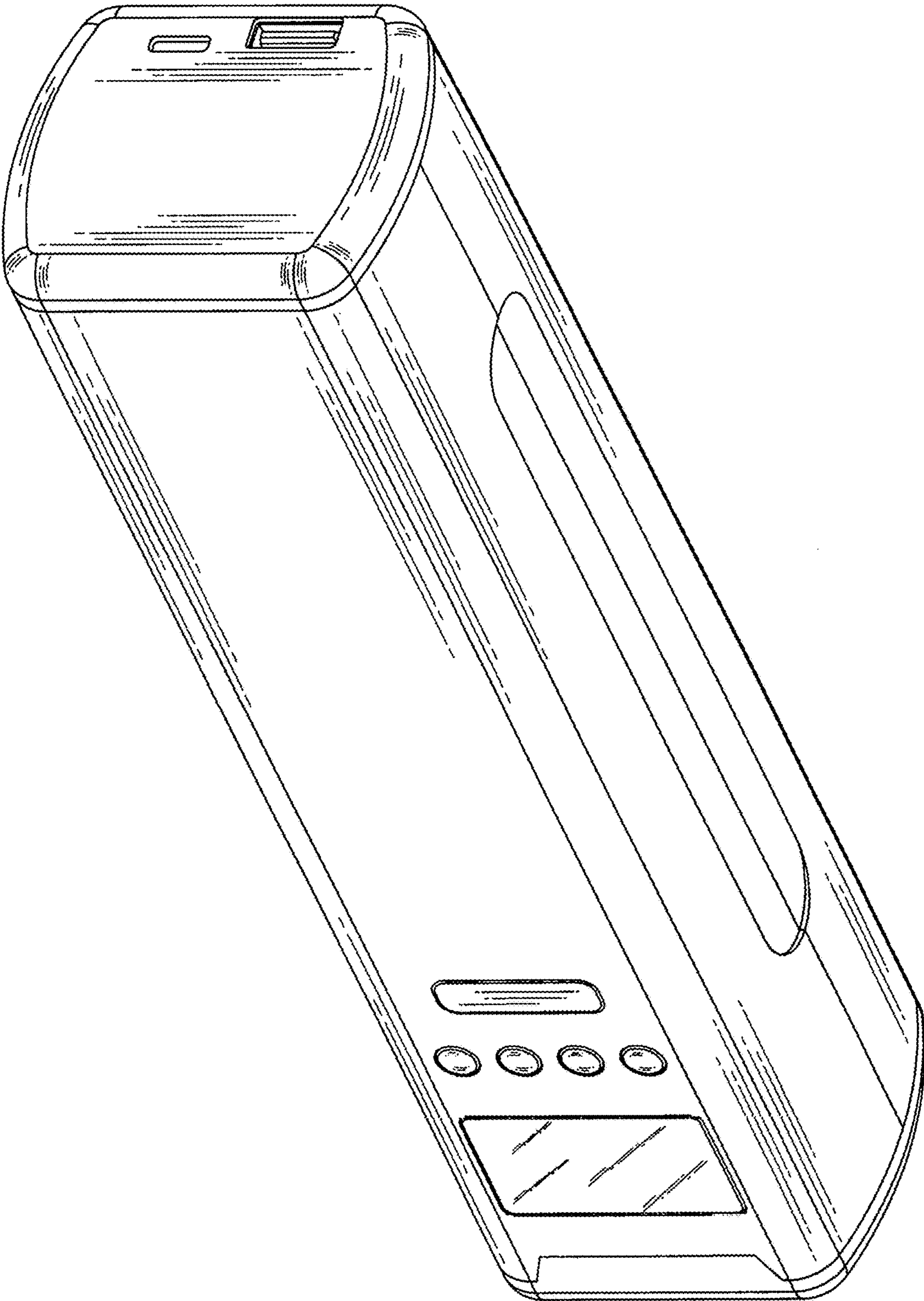


FIG. 2

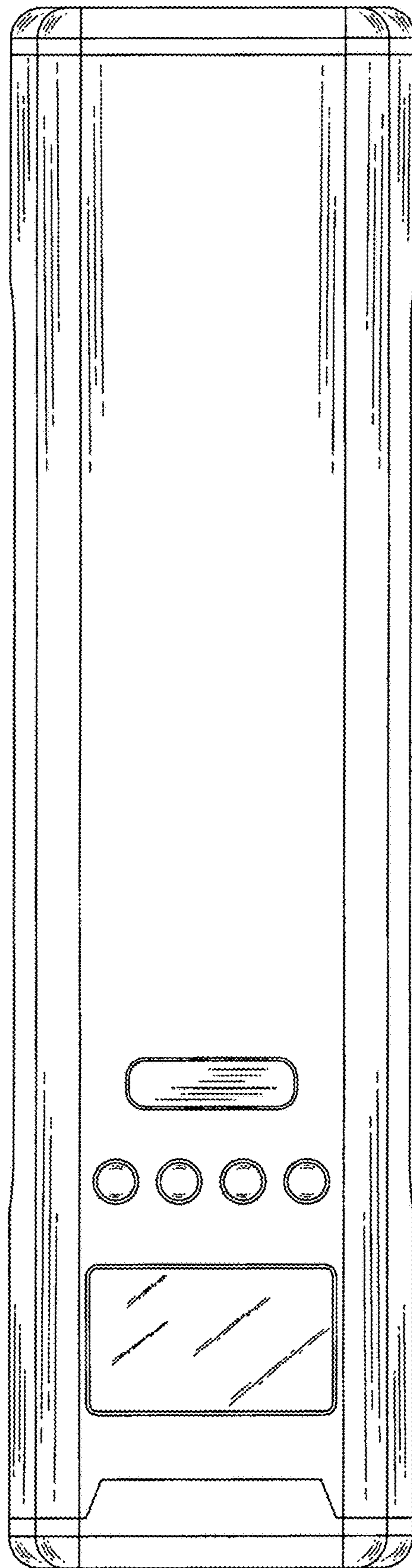


FIG. 3

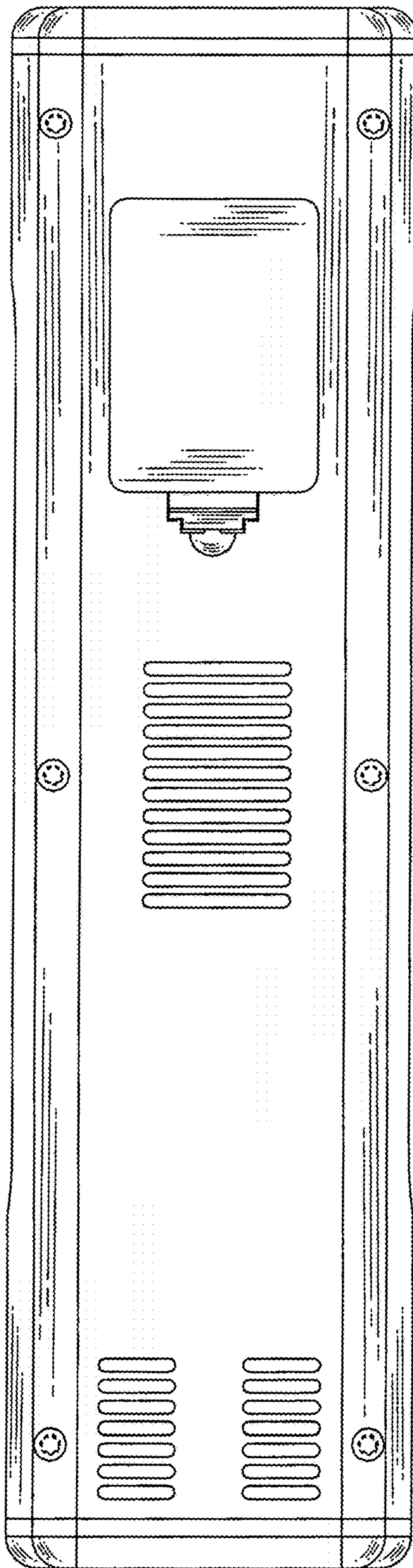


FIG. 4

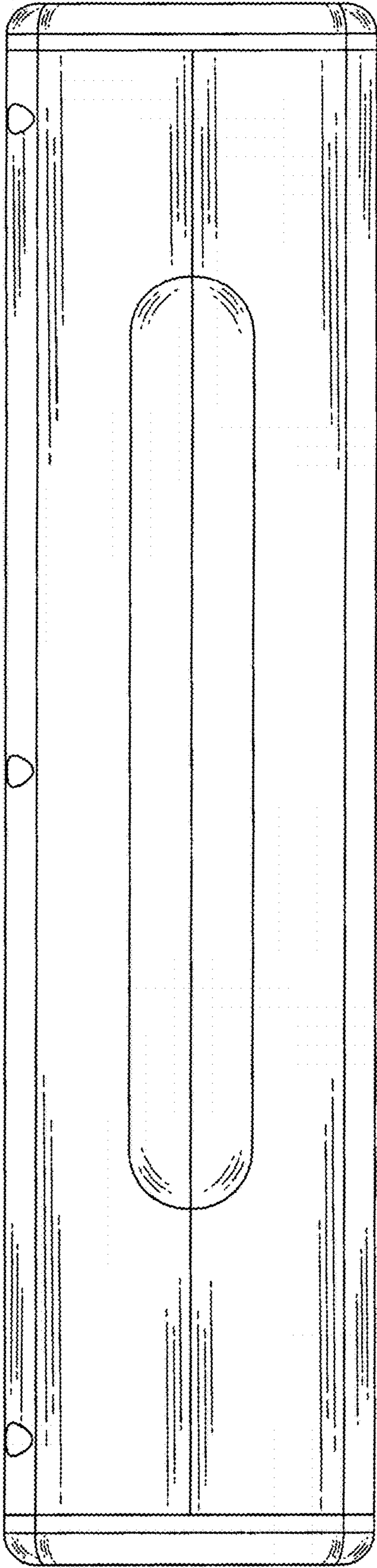


FIG. 5



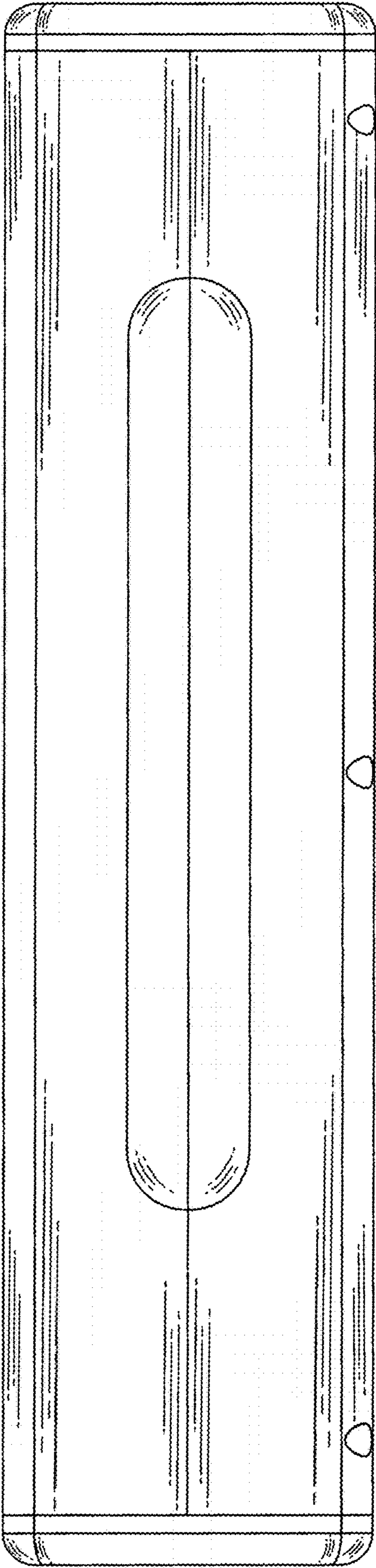


FIG. 6



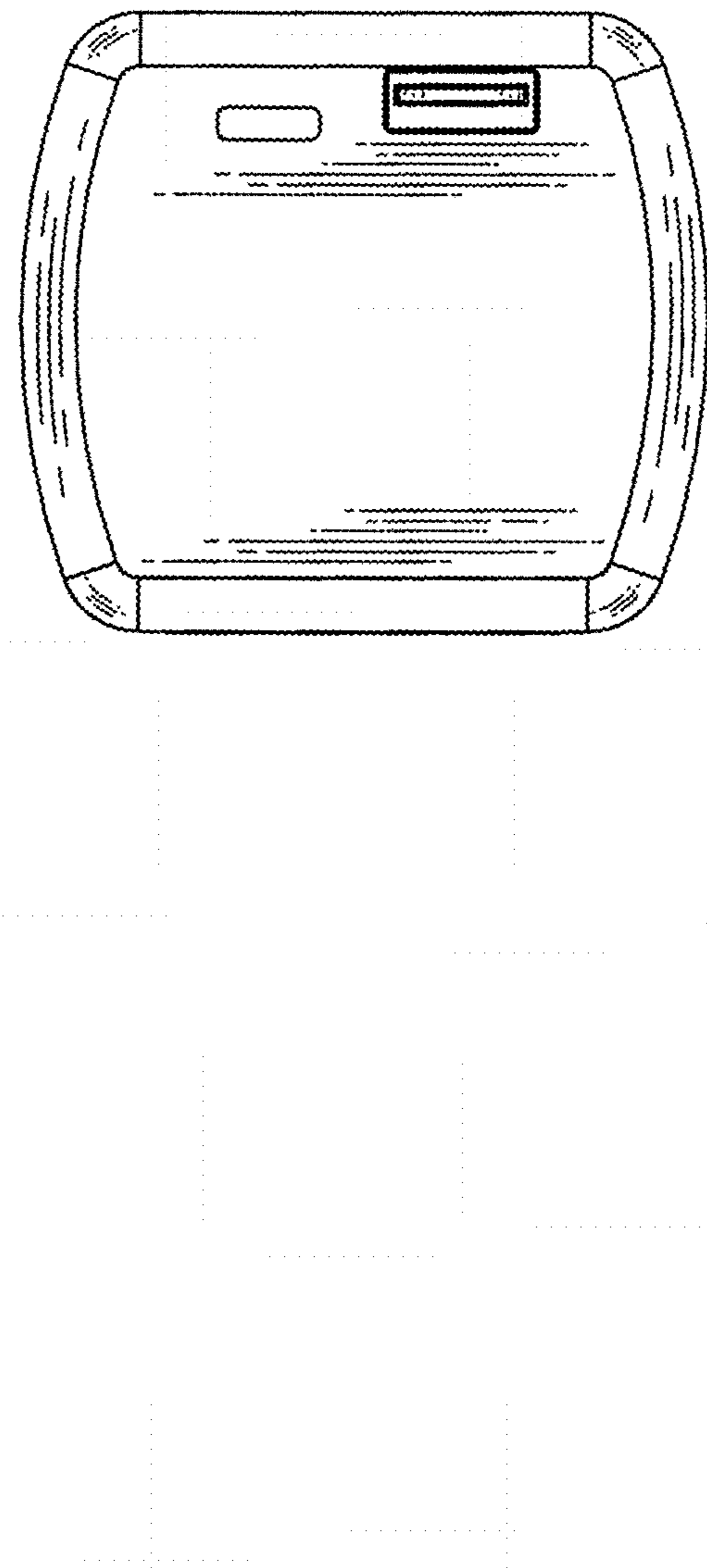


FIG. 7

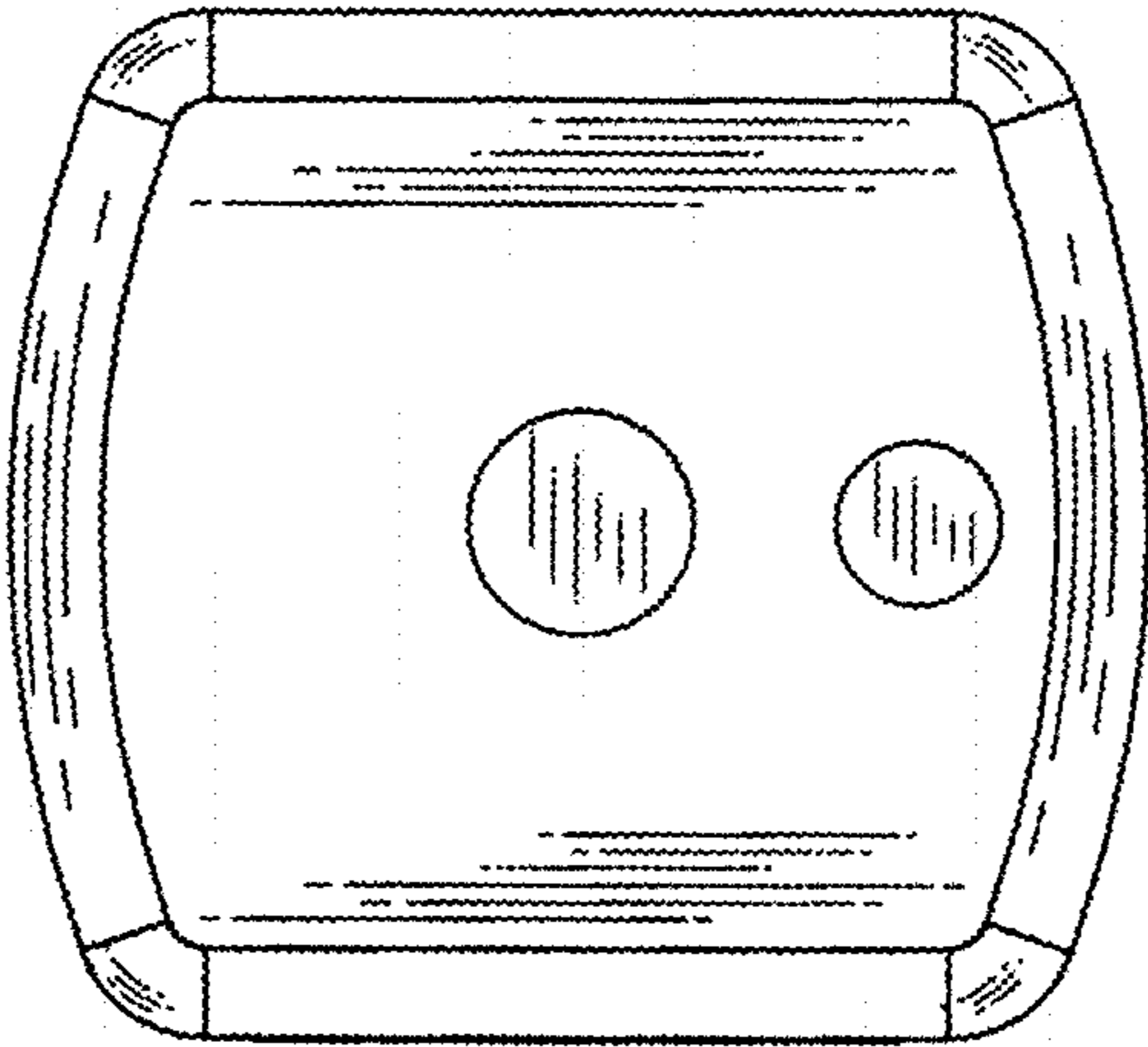


FIG. 8