



US00D957467S

(12) **United States Design Patent** (10) **Patent No.:** **US D957,467 S**
Richey et al. (45) **Date of Patent:** **** Jul. 12, 2022**

(54) **HYBRID INFLATOR** D398,011 S * 9/1998 Wang D15/9
D460,543 S * 7/2002 Wang D23/355
(71) Applicant: **ILLINOIS TOOL WORKS INC.,** D470,510 S * 2/2003 Chen D15/9
Glenview, IL (US) D471,209 S * 3/2003 Wang D15/9
(Continued)

(72) Inventors: **Stephen Edward Richey**, Atascadero,
CA (US); **Carey Christopher Costle**,
Tucson, AZ (US)

(73) Assignee: **ILLINOIS TOOL WORKS INC.,**
Glenview, IL (US)

(**) Term: **15 Years**

(21) Appl. No.: **29/749,844**

(22) Filed: **Sep. 9, 2020**

(51) **LOC (13) Cl.** **15-02**

(52) **U.S. Cl.**
USPC **D15/7**

(58) **Field of Classification Search**
USPC D14/163, 165, 172, 203.3, 203.6, 497,
D14/499, 509, 510; D24/168, 186;
D15/7-9; D13/107, 109, 110, 111, 184
CPC F04B 53/14; F04B 53/92; F04B 33/00;
F04B 33/005; F04B 1/005; F04B 35/00;
F04B 35/06; F04B 35/002; F04B 35/86;
F04B 17/03; F04B 17/06; F04B 33/02;
F04B 41/00; F04B 41/02; F04B 41/04;
F04B 41/06; F04D 13/06; F04D 29/22;
F04D 29/046; F04D 29/2266; F16K
11/048; F16K 15/20; F16K 31/602
See application file for complete search history.

(56) **References Cited**

U.S. PATENT DOCUMENTS

D275,291 S * 8/1984 Dunlap D15/9
D300,433 S * 3/1989 Byar D15/9
D374,237 S * 10/1996 Wang D15/7
D376,549 S * 12/1996 Stimpfig D10/81
D384,081 S * 9/1997 Wang D15/7
D388,798 S * 1/1998 Kan D15/9

OTHER PUBLICATIONS

AEG, AEG 18V 12V Hybrid High Pressure Volume Inflator Defla-
tor Air Pump, (site visited Nov. 18, 2021), Ebay.com, URL:<https://
www.ebay.co.uk/itm/121546701718?mkevt=1&mkcid=1&mkrid=
710-53481-19255-0&campid=5338722076&customid=&toolid=
10050>(Year: 2021).*

(Continued)

Primary Examiner — Calvin E Vansant

Assistant Examiner — Mark T. Philipps

(74) *Attorney, Agent, or Firm* — Pauley Erickson &
Swanson

(57) **CLAIM**

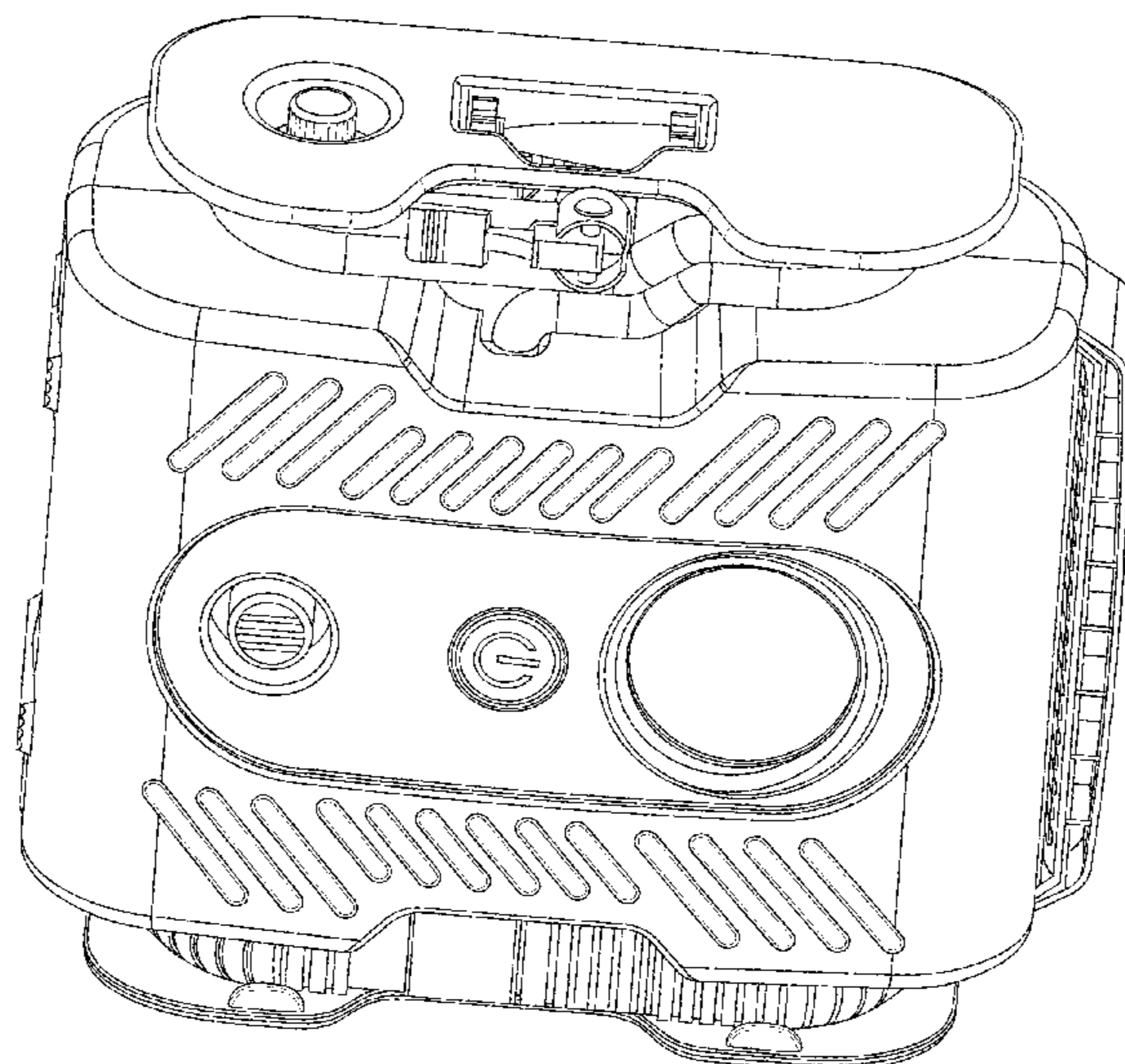
The ornamental design for a hybrid inflator, as shown and
described.

DESCRIPTION

FIG. 1 is a perspective view of the hybrid inflator, according
to the invention;
FIG. 2 is a front view of the hybrid inflator shown in FIG.
1;
FIG. 3 is a rear view of the hybrid inflator shown in FIG. 1;
FIG. 4 is a side view of the hybrid inflator shown in FIG. 1;
FIG. 5 is a side view, opposite the side view shown in FIG.
4, of the hybrid inflator shown in FIG. 1;
FIG. 6 is a top view of the hybrid inflator shown in FIG. 1;
and,
FIG. 7 is a bottom view of the hybrid inflator shown in FIG.
1.

The broken lines depict portions of the hybrid inflator that
form no part of the claimed design.

1 Claim, 7 Drawing Sheets



(56)

References Cited

U.S. PATENT DOCUMENTS

D540,822 S * 4/2007 Mandsfelt D15/9
 D604,200 S * 11/2009 Fassold D11/221
 D609,635 S * 2/2010 Daniels D13/107
 D620,500 S * 7/2010 Brandt D15/9
 D620,881 S * 8/2010 Daniels D13/107
 D624,936 S * 10/2010 Houghton D15/9
 D635,589 S * 4/2011 Bongard D15/9
 D664,158 S * 7/2012 Balma D15/9
 D665,167 S 8/2012 Haener et al.
 D665,427 S * 8/2012 Inskeep D15/9
 D668,685 S 10/2012 Haener
 D671,560 S * 11/2012 Ohm D15/7
 D672,367 S 12/2012 Stansbury et al.
 D679,291 S * 4/2013 Ohm D15/7
 D695,319 S * 12/2013 Ohm D15/9
 D701,887 S 4/2014 Haener
 9,004,117 B2 * 4/2015 Stansbury F04B 35/06
 141/198

D774,102 S 12/2016 Ellman et al.
 D806,133 S 12/2017 Costle et al.
 D814,524 S * 4/2018 Costle D15/7
 D881,238 S * 4/2020 Hong D15/9
 D886,874 S * 6/2020 Kan D15/9
 D907,066 S * 1/2021 Esses D15/7
 2004/0159365 A1 * 8/2004 Cowan B29C 73/166
 141/38

OTHER PUBLICATIONS

Slime Store, Slime 50122 Flat Tire Puncture Emergency Kit, Includes Sealant and Tire Inflator Pump, (date first available Jun. 20, 2017), Amazon.com, URL:<<https://www.amazon.com/Slime-50122-Flat-Tire-Repair/dp/B0732BRRHZ>> (Year: 2017).*

Fortem, Tire Inflator Portable Air Compressor, Bike Tire Pump, 12V Electric Air Pump for Car Tires, (date first available Jul. 9, 2017), Amazon.com, URL:<<https://www.amazon.com/Digital-Tire-Inflator-Pressure-Gauge/dp/B073VB41W3>> (Year: 2017).*

* cited by examiner

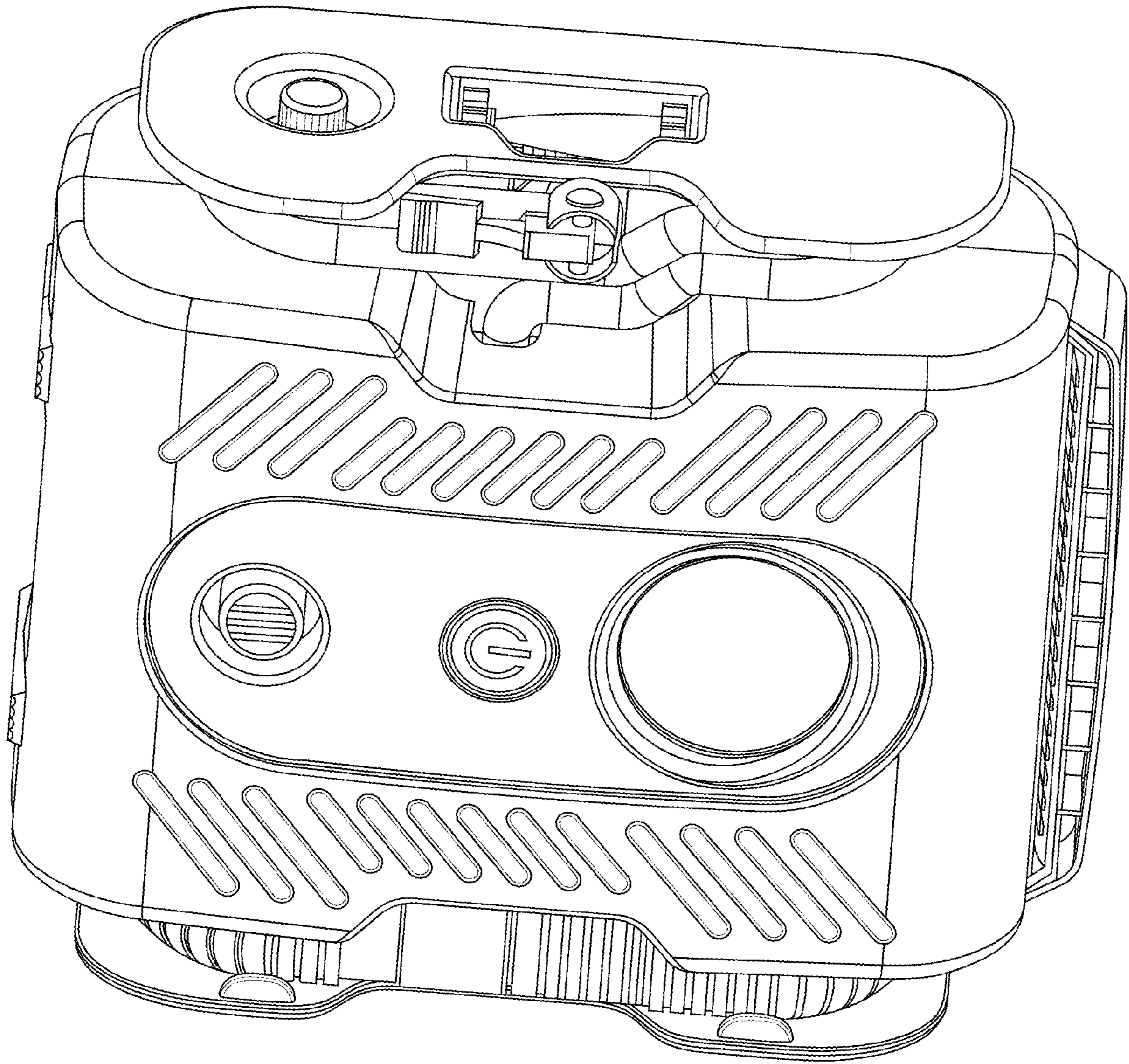


FIG. 1

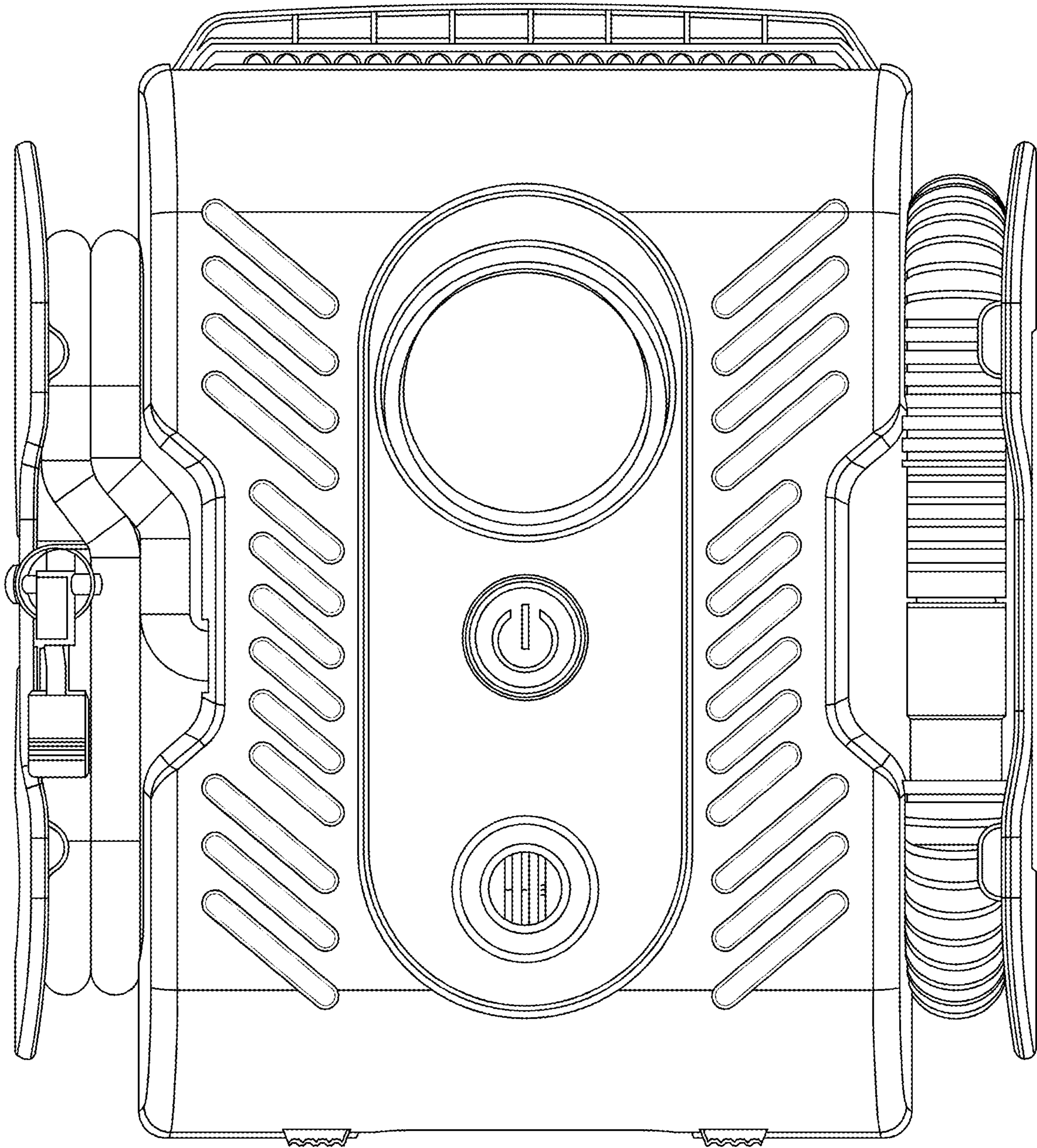


FIG. 2

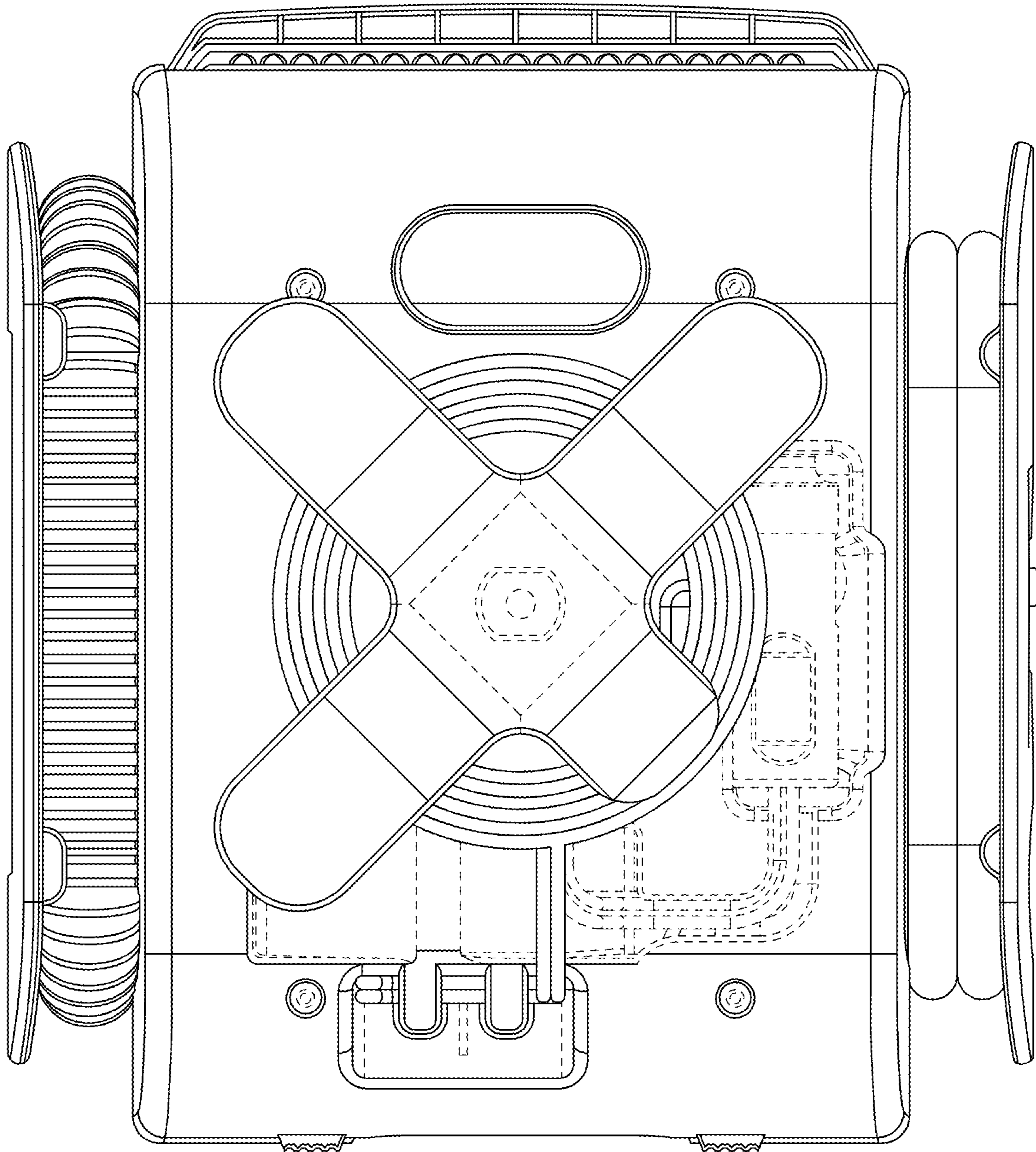


FIG. 3

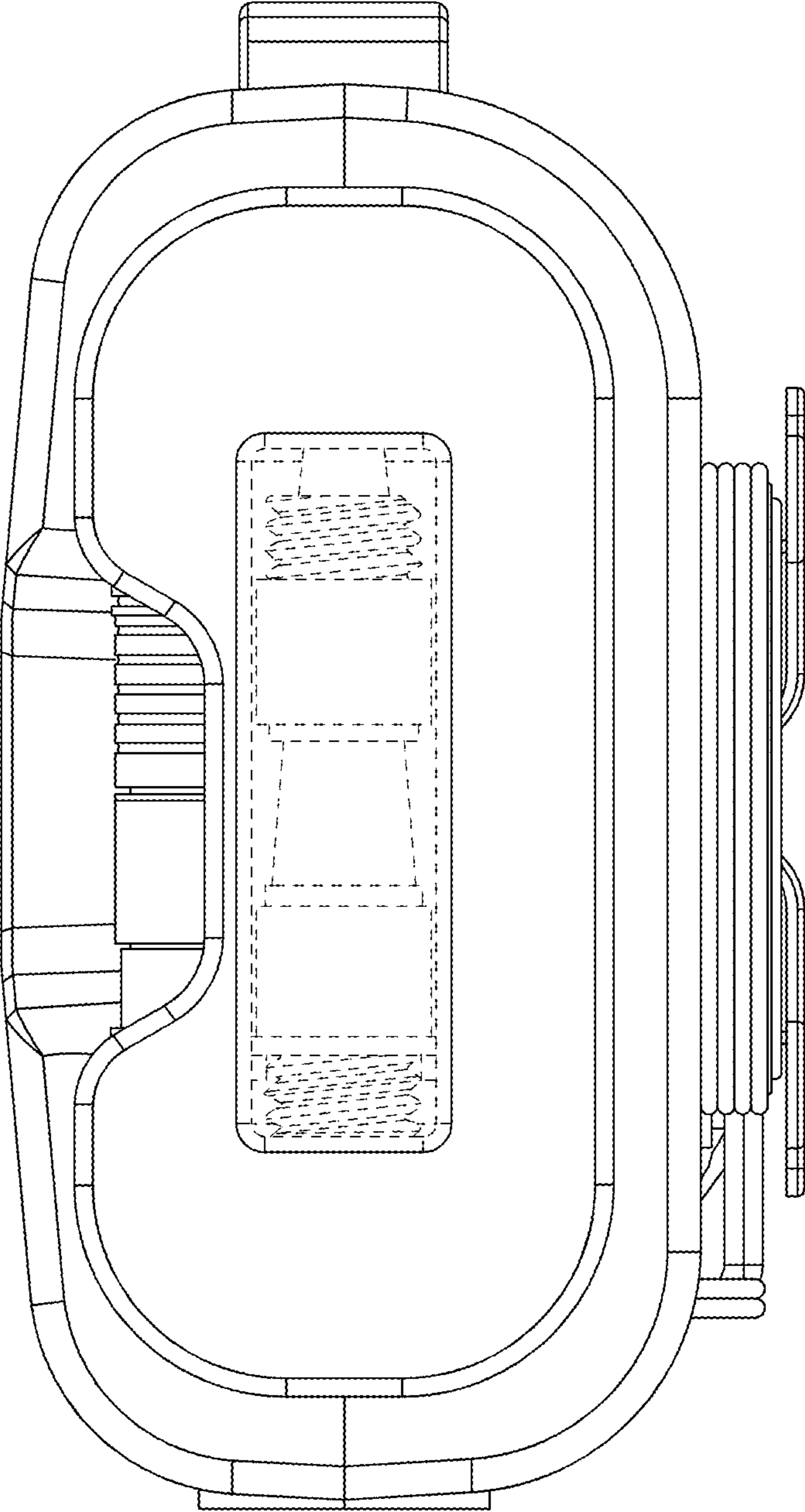


FIG. 4

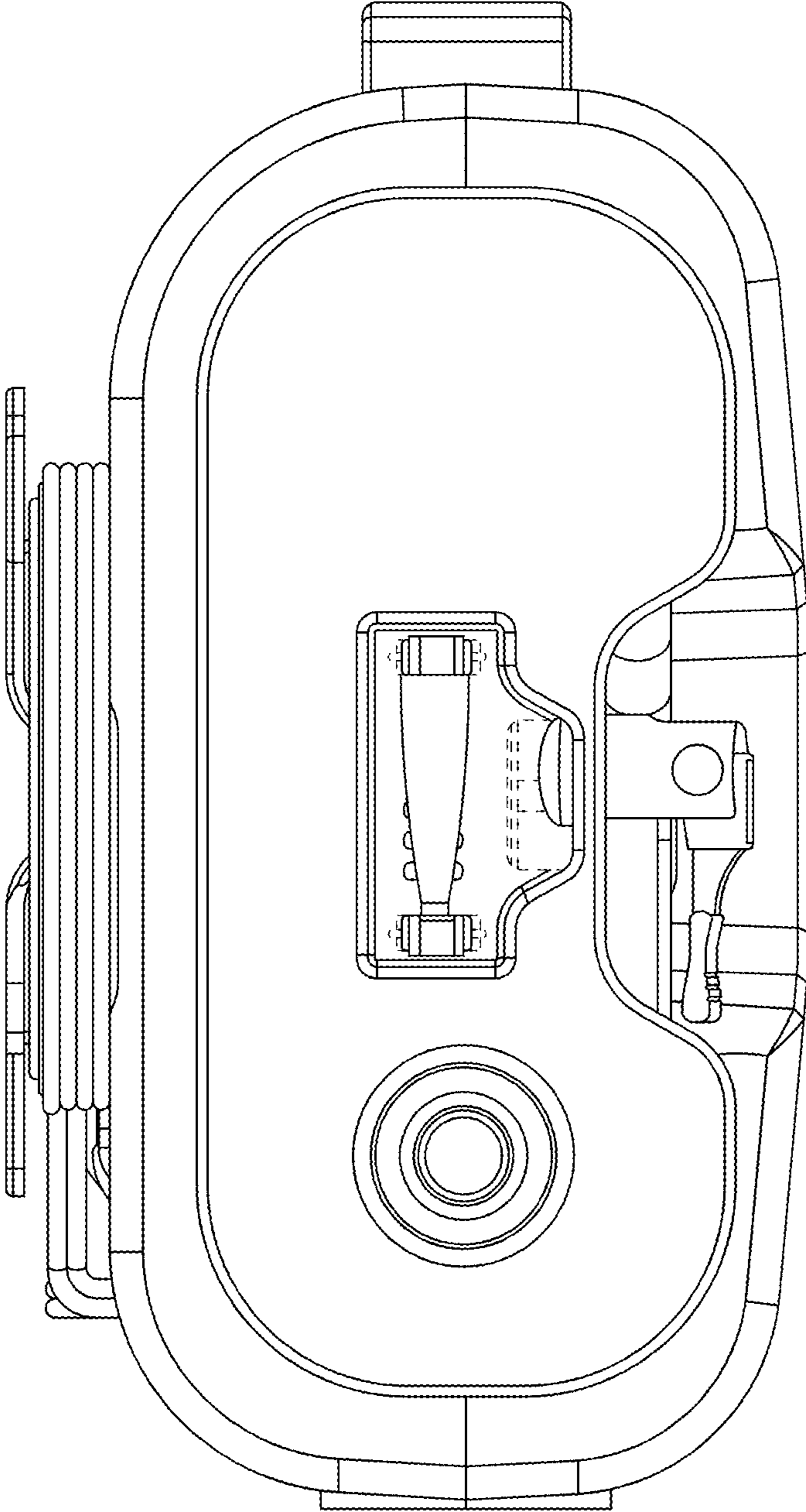


FIG. 5

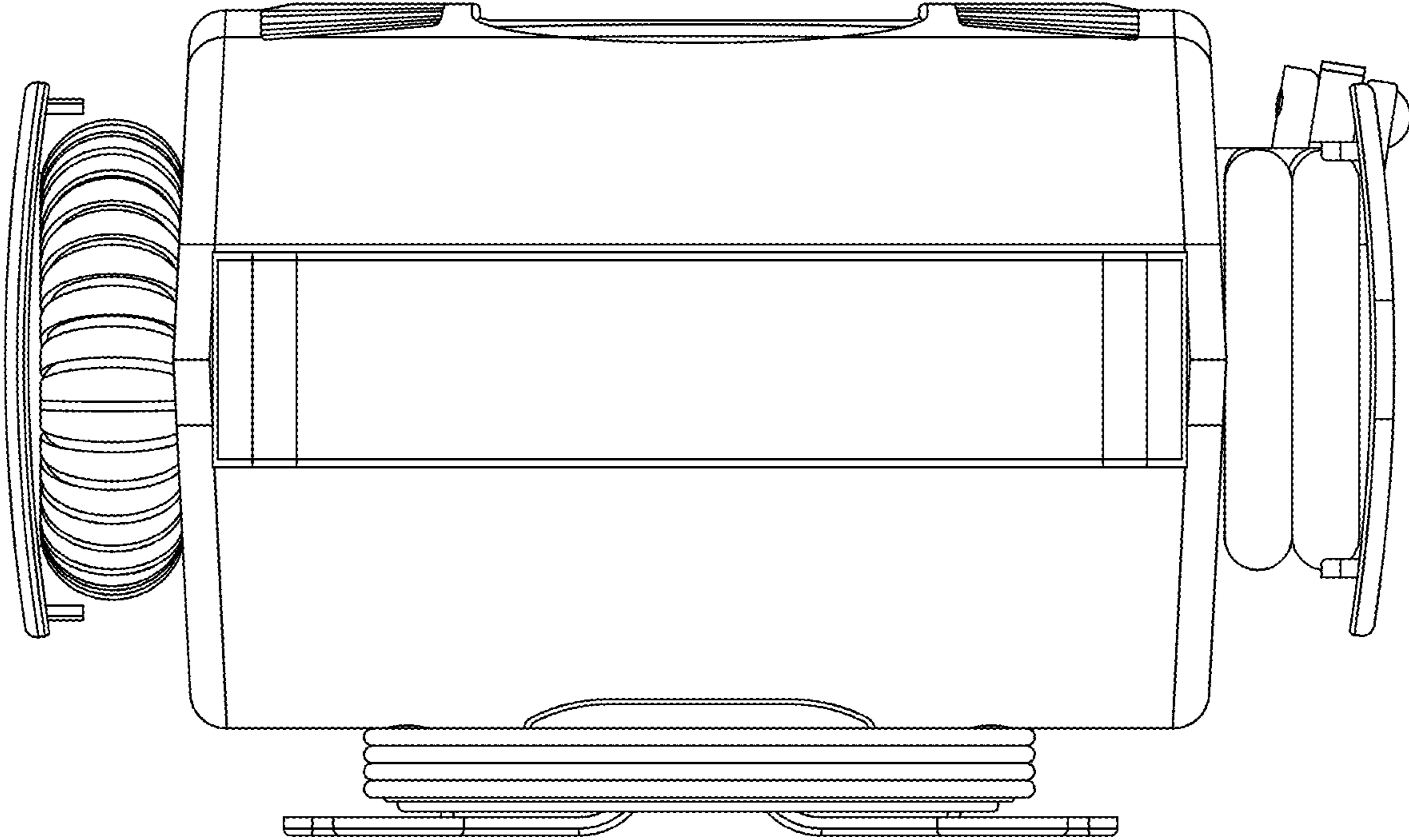


FIG. 6

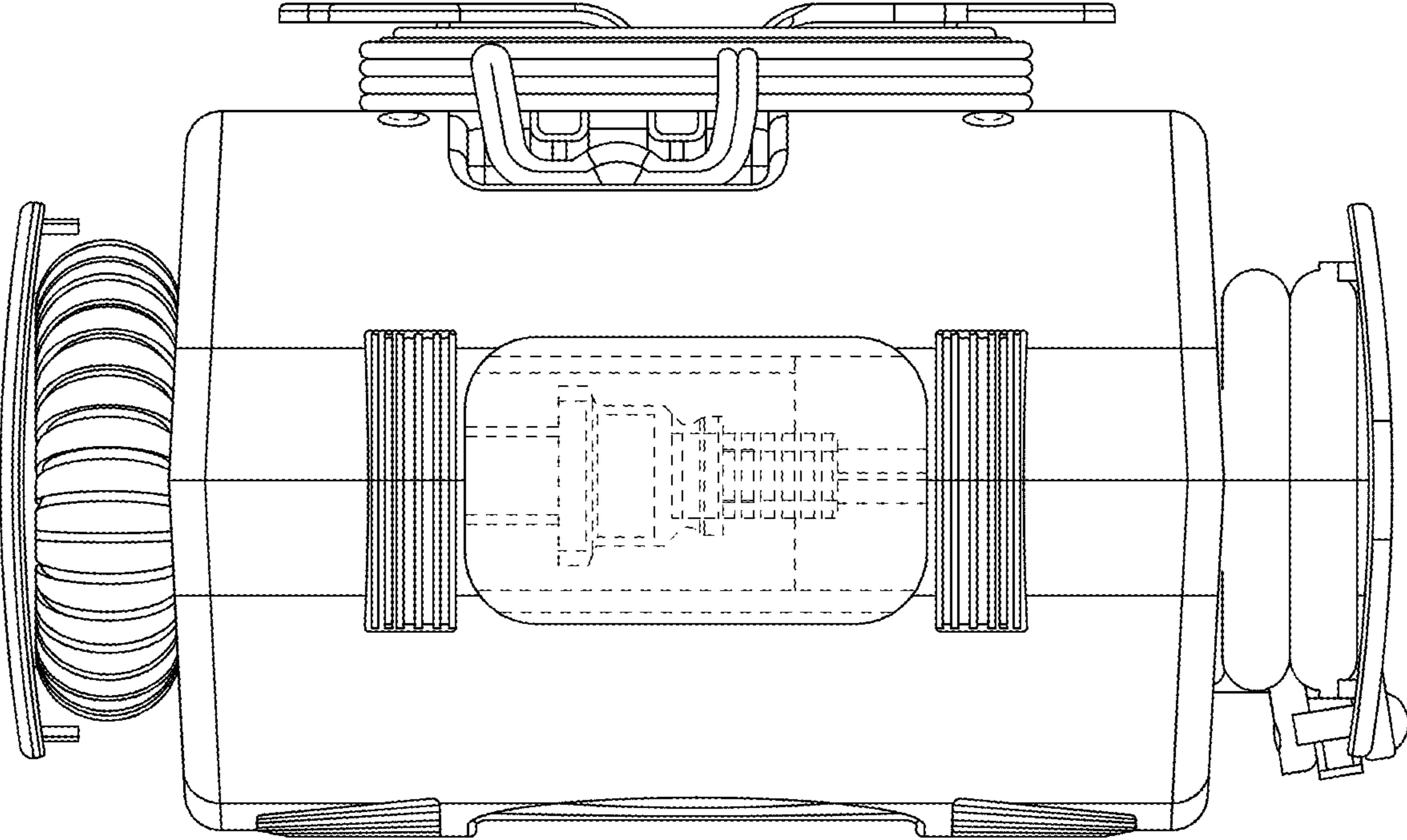


FIG. 7