



US00D957464S

(12) **United States Design Patent**
Wettig

(10) **Patent No.:** **US D957,464 S**
(45) **Date of Patent:** **** Jul. 12, 2022**

- (54) **INTERCOOLER FOR AUTOMOTIVE APPLICATIONS**
- (71) Applicant: **Resource Intl Inc.**, New Castle, DE (US)
- (72) Inventor: **Jason Wettig**, Street, MD (US)
- (73) Assignee: **Resource Intl Inc.**, New Castle, DE (US)
- (**) Term: **15 Years**
- (21) Appl. No.: **29/755,042**
- (22) Filed: **Oct. 16, 2020**
- (51) **LOC (13) Cl.** **15-01**
- (52) **U.S. Cl.**
USPC **D15/5**
- (58) **Field of Classification Search**
USPC D15/1, 2, 3, 4, 5, 6
CPC F02B 29/0425; F02B 29/0412; F02B 29/0437; F02B 29/0443; F02B 29/045; F02B 29/0406; F02B 29/0431; F28D 7/0066; F28D 1/0408; F28D 7/1653; F28F 1/04; F28F 1/12; F28F 9/02; F28F 21/02; B60H 1/14; B60H 1/3211; B60H 1/00271; B60H 1/3205; B60H 1/00342; F01P 11/08; B21D 53/08; F02M 26/27; F02M 26/31; F02M 35/10268
See application file for complete search history.

10,697,354 B2 * 6/2020 Oh F28F 9/0246
 2006/0278377 A1 * 12/2006 Martins F02M 26/32
 165/140
 2011/0168366 A1 * 7/2011 Garret F28F 9/001
 165/148
 2019/0049195 A1 * 2/2019 Meshenky F28F 9/001
 2019/0368828 A1 * 12/2019 Kolder F28F 9/0219
 2021/0148278 A1 * 5/2021 Kang F02B 29/0418

FOREIGN PATENT DOCUMENTS

DE 102005012761 A1 * 9/2006 F02B 29/0462

* cited by examiner

Primary Examiner — Ania Aman

(74) *Attorney, Agent, or Firm* — Condo Roccia Koptiw LLP

(57) **CLAIM**

The ornamental design for an intercooler for automotive applications, as shown and described.

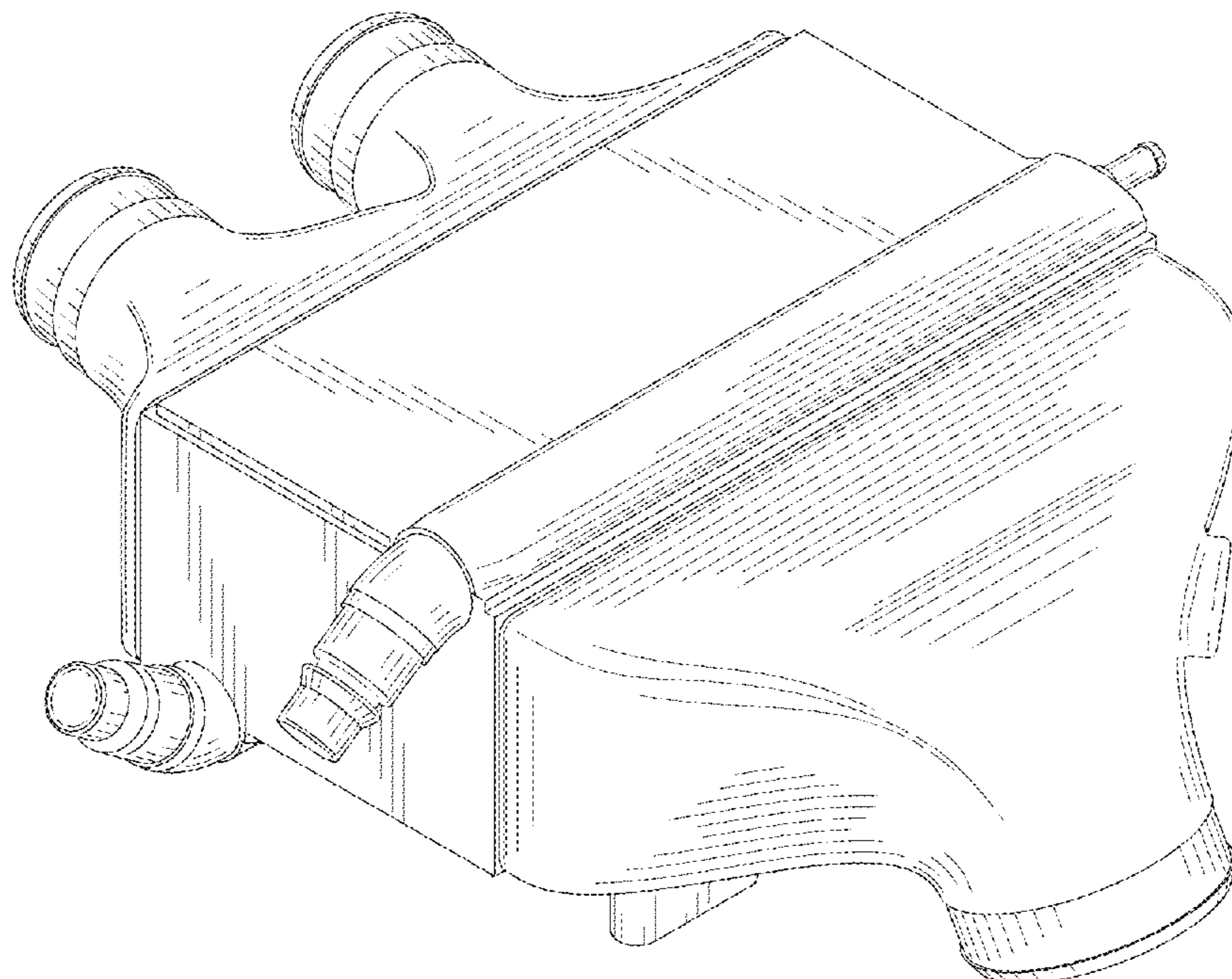
DESCRIPTION

FIG. 1 is a top front perspective view of the intercooler showing my new design;
 FIG. 2 is a front elevation view thereof;
 FIG. 3 is a rear elevation view thereof;
 FIG. 4 is a right elevation view thereof;
 FIG. 5 is a left elevation view thereof;
 FIG. 6 is a top plan view thereof; and,
 FIG. 7 is a bottom plan view thereof.
 The broken lines shown in the drawings illustrate portions of the intercooler for automotive applications that form no part of the claimed design.

(56) **References Cited**
U.S. PATENT DOCUMENTS

10,494,074 B1 * 12/2019 Duquette B63H 11/04
 10,605,545 B2 * 3/2020 Meshenky F02B 39/005

1 Claim, 5 Drawing Sheets



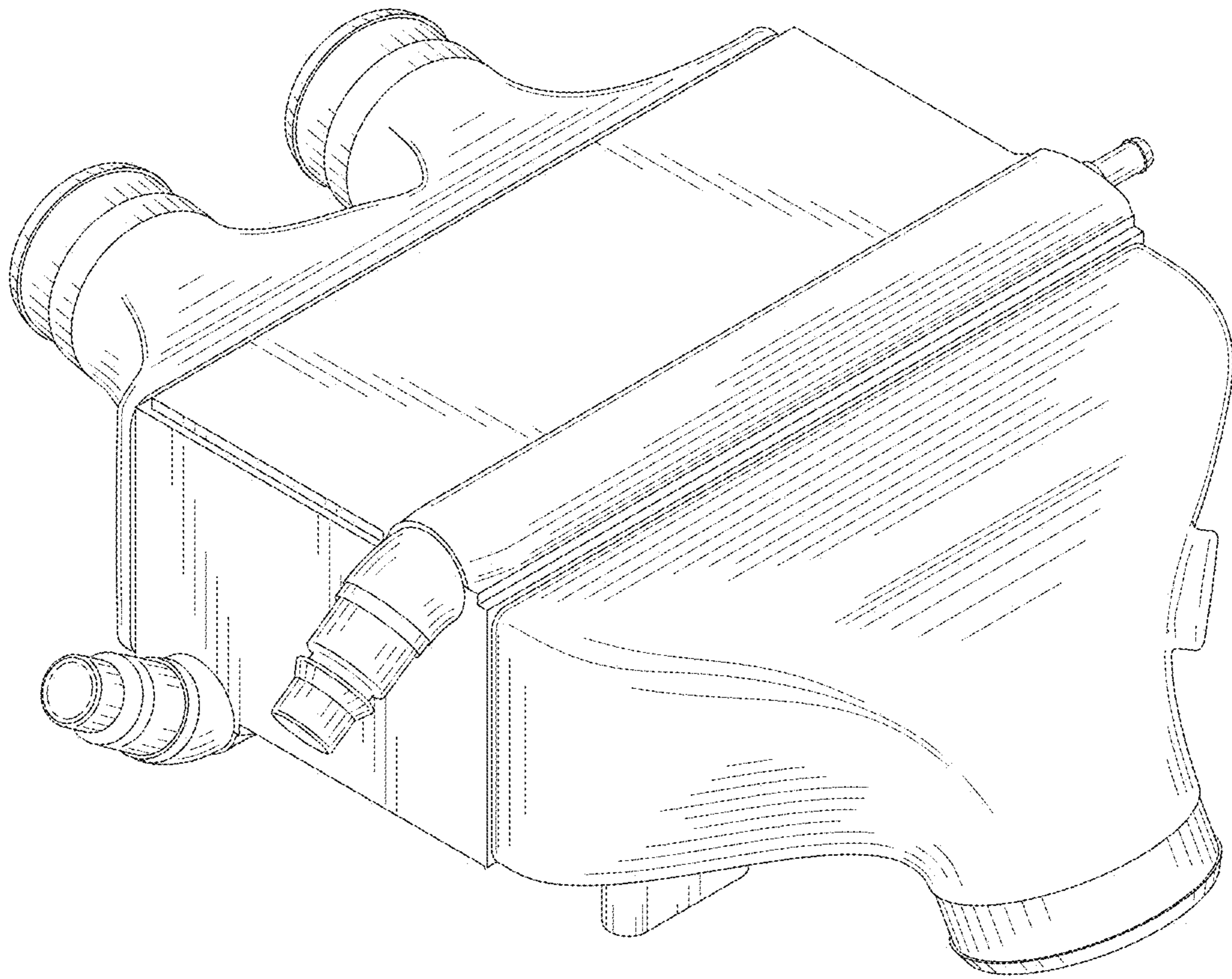


FIG. 1

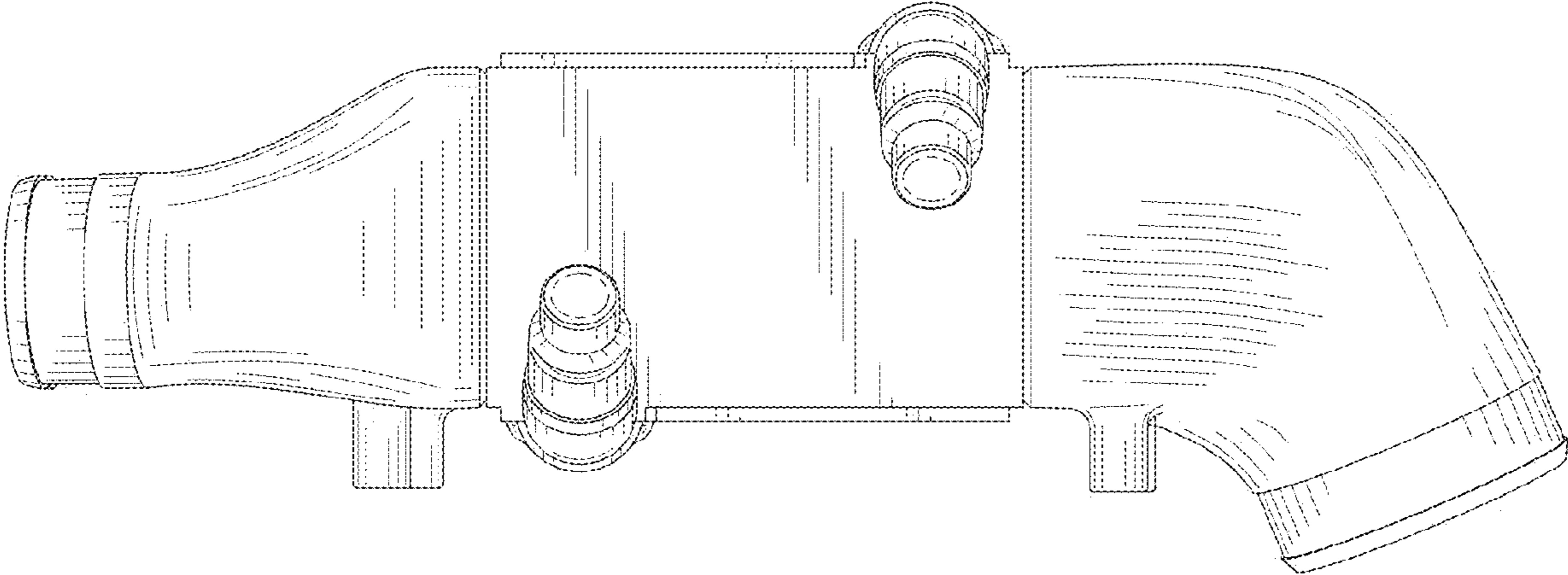


FIG. 2

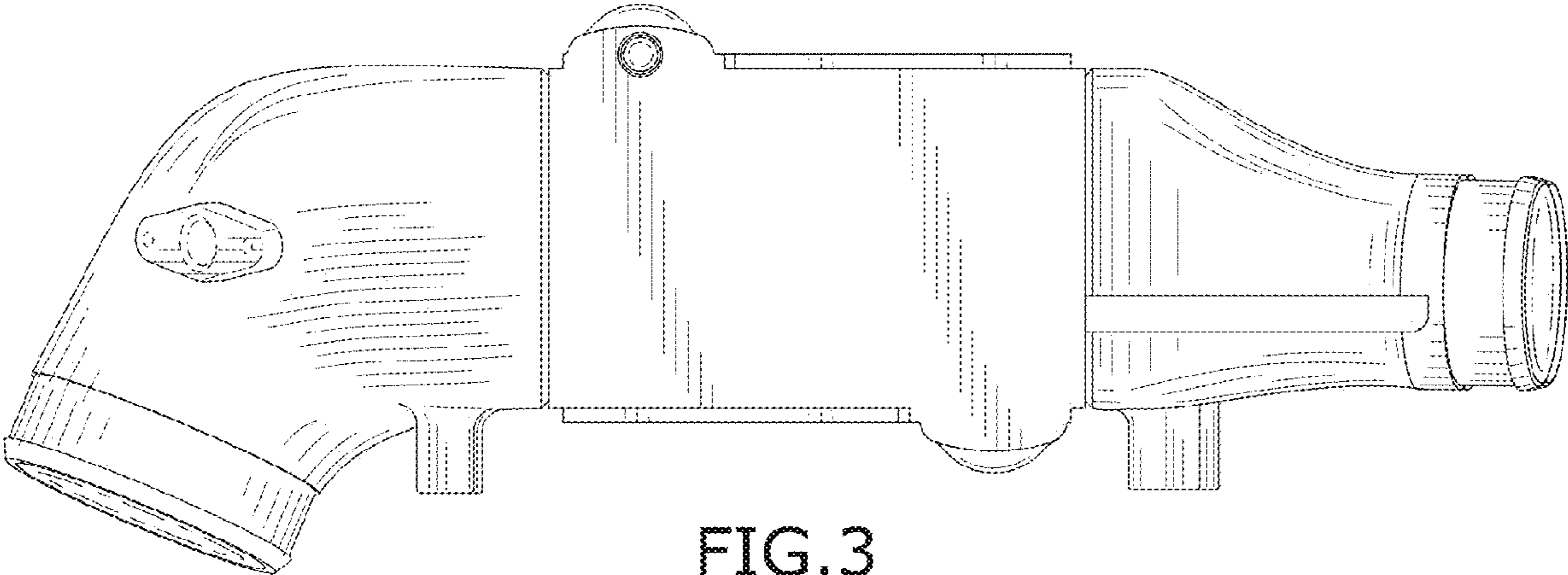


FIG. 3

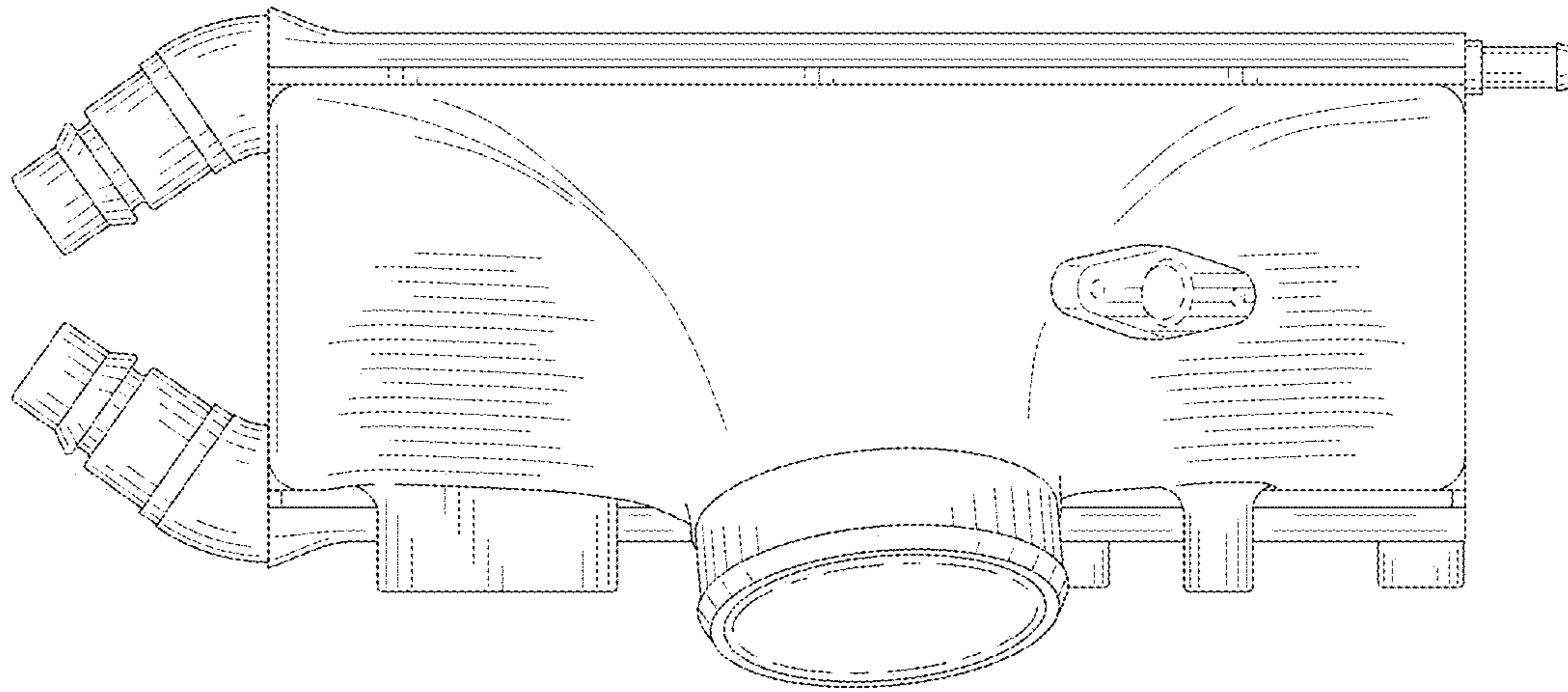


FIG. 4

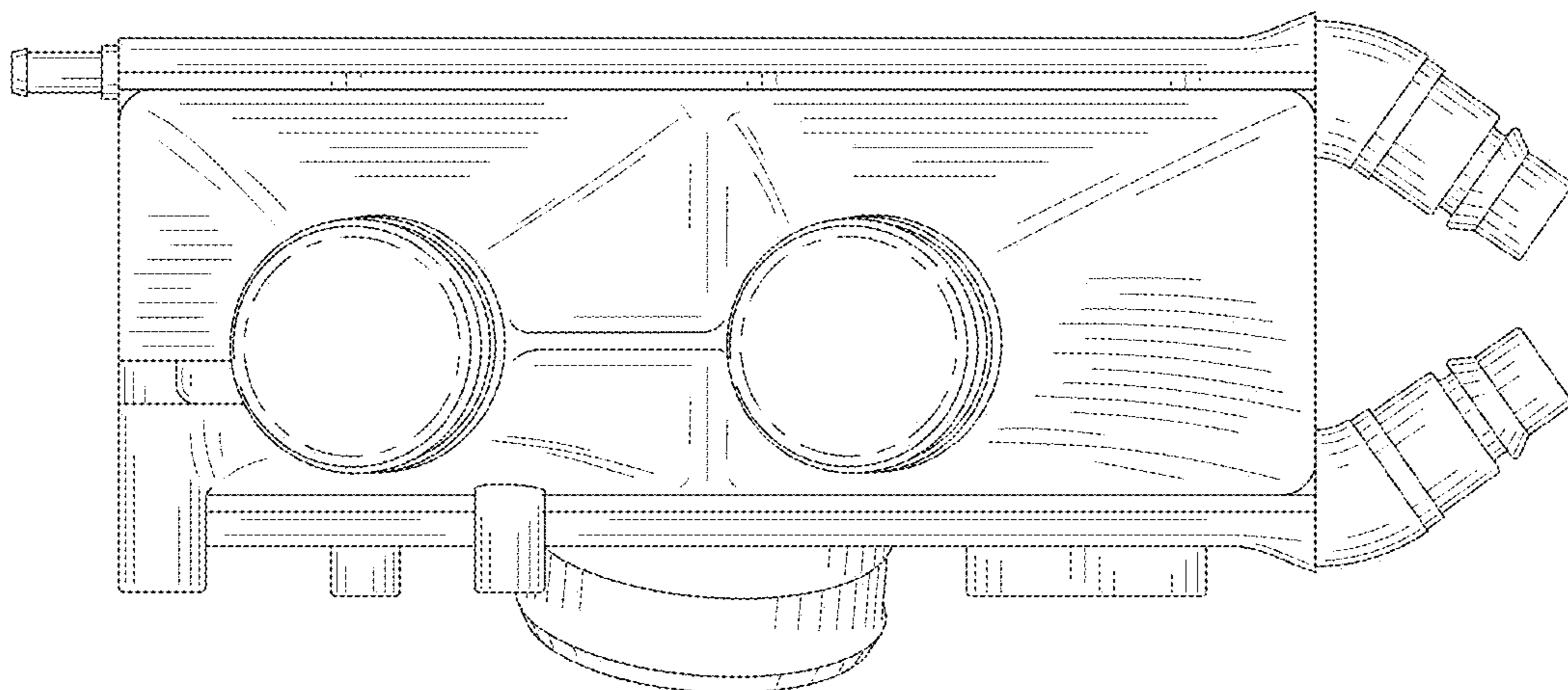


FIG. 5

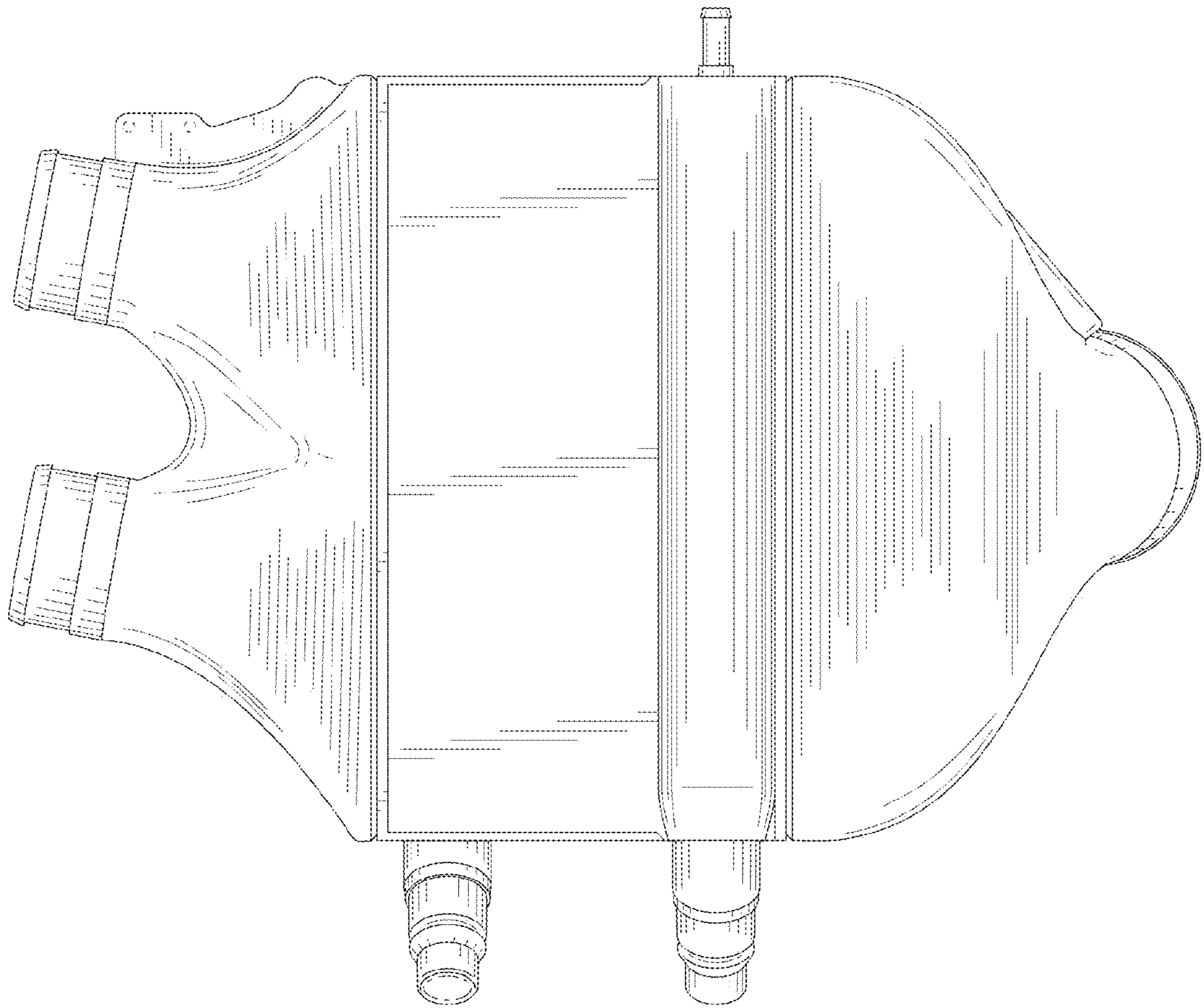


FIG. 6

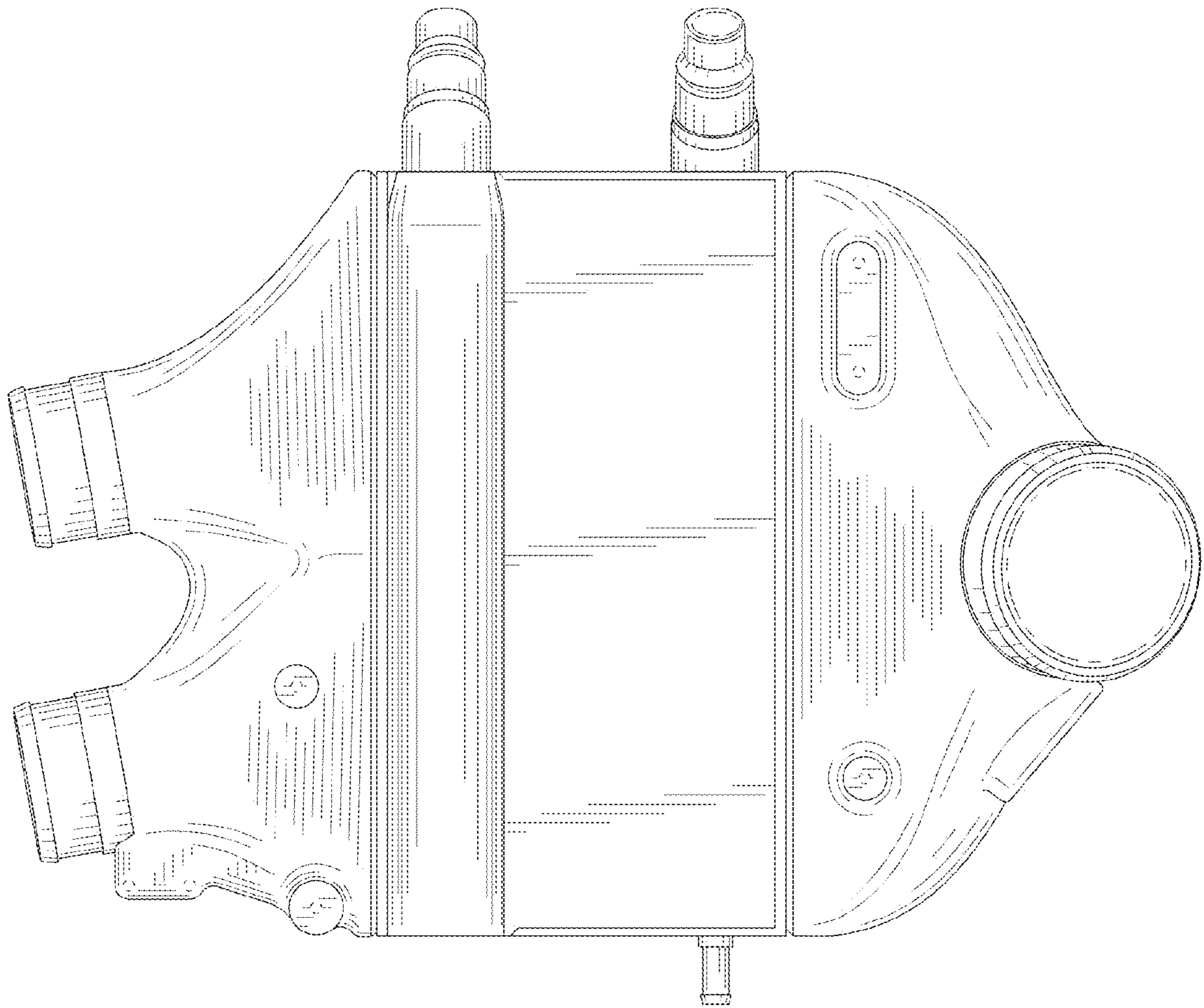


FIG. 7