



US00D957463S

(12) **United States Design Patent** (10) **Patent No.:** **US D957,463 S**
Wei (45) **Date of Patent:** **** Jul. 12, 2022**

(54) **INTAKE MANIFOLD**

(71) Applicant: **DeepMotor Inc**, Rancho Cucamonga, CA (US)

(72) Inventor: **Yong Wei**, Rancho Cucamonga, CA (US)

(73) Assignee: **DEEPMOTOR INC**, Rancho Cucamonga, CA (US)

(**) Term: **15 Years**

(21) Appl. No.: **29/753,452**

(22) Filed: **Sep. 30, 2020**

(51) **LOC (13) Cl.** **15-01**

(52) **U.S. Cl.**
USPC **D15/5**

(58) **Field of Classification Search**
USPC D15/1, 2, 3, 4, 5, 6
CPC F02M 35/104; F02M 35/108; F02M 35/1085; F02M 35/116

See application file for complete search history.

(56) **References Cited**

U.S. PATENT DOCUMENTS

4,210,107	A *	7/1980	Shaffer	F02B 27/0294	123/184.56
4,925,510	A	5/1990	Hojo et al.			
D364,628	S	11/1995	Haller			
5,494,011	A	2/1996	Haller			
5,551,386	A *	9/1996	Gambardella	F02M 35/116	123/184.35
5,911,205	A *	6/1999	Gambardella	F02M 35/116	123/184.53
6,053,148	A *	4/2000	Glovatsky	F02M 51/005	123/470

(Continued)

FOREIGN PATENT DOCUMENTS

CN	303479863	12/2015
CN	303727690	6/2016

(Continued)

OTHER PUBLICATIONS

alibaba.com: "BK-3123SET Supra 2JZ-GE Billet Intake manifold with fuel rail and throttle body 90mm", 4 pages, retrieved from the Internet <URL: http://www.bkcmotorsport.com/product/60462533019-802641114/bk_3123SET_supra_2JZ_GE_Billet_Intake_manifold_with_fuel_and_rail_and_throttle_body_90mm.html>, [retrieved on Jun. 2, 2020].

(Continued)

Primary Examiner — Ania Aman

(74) *Attorney, Agent, or Firm* — Loza & Loza, LLP; Heidi Eisenhut

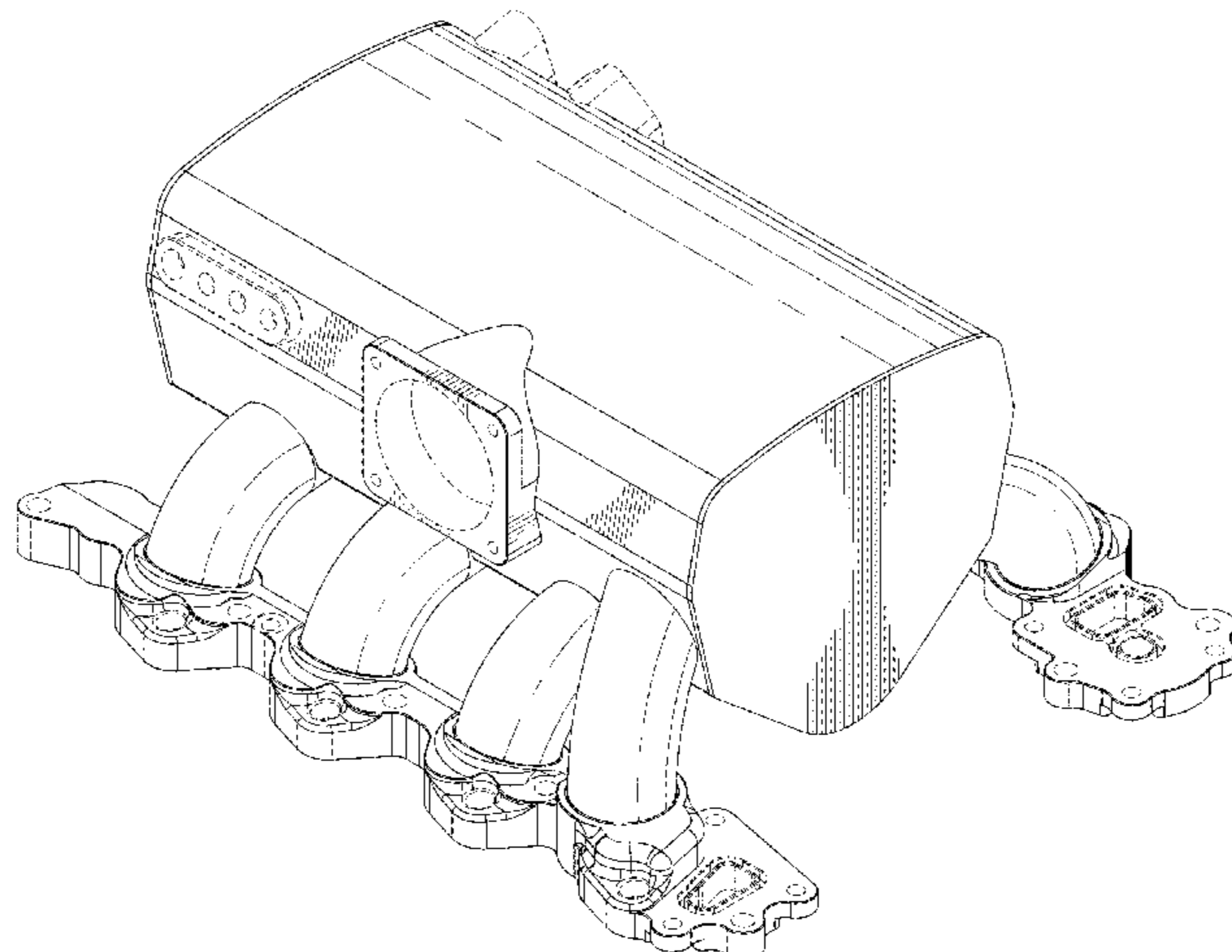
(57) **CLAIM**

The ornamental design for an intake manifold, as shown and described.

DESCRIPTION

FIG. 1 is a front, right, top perspective view of an intake manifold;
FIG. 2 is a front, left, top perspective view of an intake manifold
FIG. 3 is a left side elevation view of the intake manifold of FIG. 1;
FIG. 4 is a right side elevation view of the intake manifold of FIG. 1;
FIG. 5 is a rear elevation view of the intake manifold of FIG. 1;
FIG. 6 is a front elevation view of the intake manifold of FIG. 1;
FIG. 7 is a top plan view of the intake manifold of FIG. 1; and,
FIG. 8 is a bottom plan view of the intake manifold of FIG. 1.
The broken lines show features of the intake manifold that form no part of the claimed design.

1 Claim, 8 Drawing Sheets



(56)

References Cited

U.S. PATENT DOCUMENTS

D517,567 S 3/2006 Teeter
 7,086,365 B1 8/2006 Teeter
 D654,094 S 2/2012 Dralle
 8,122,864 B2 2/2012 Randall et al.
 8,220,430 B2 7/2012 Gupta
 D673,977 S 1/2013 Hsu et al.
 D673,979 S 1/2013 Finnican
 D674,408 S 1/2013 Hsu et al.
 D676,460 S 2/2013 Grubisich
 D677,699 S 3/2013 Finnican
 D677,700 S 3/2013 Hsu et al.
 D680,132 S 4/2013 Finnican
 D688,614 S 8/2013 Meulen
 D700,557 S 3/2014 Glaeser
 D737,862 S 9/2015 Finnican
 9,273,653 B2 3/2016 Wilson
 9,617,957 B2 4/2017 Shinkai et al.
 D802,628 S 11/2017 Fischetto
 D812,100 S 3/2018 Litchfield
 D814,523 S 4/2018 Vaninetti et al.
 D894,239 S * 8/2020 Coates D15/5
 D908,141 S * 1/2021 Wei D15/5
 2010/0269777 A1 10/2010 Jasper
 2011/0169186 A1 7/2011 Bruman et al.
 2017/0067424 A1 3/2017 Krogdhal
 2017/0175688 A1 6/2017 Nola et al.
 2017/0204817 A1 7/2017 Nola
 2017/0211527 A1 7/2017 Nola
 2019/0128221 A1 5/2019 Tiramani et al.

FOREIGN PATENT DOCUMENTS

EP 1046808 A2 * 10/2000 F02M 35/10039
 EP 1772615 A2 4/2007
 JP 2000130275 A * 5/2000 F02B 75/22

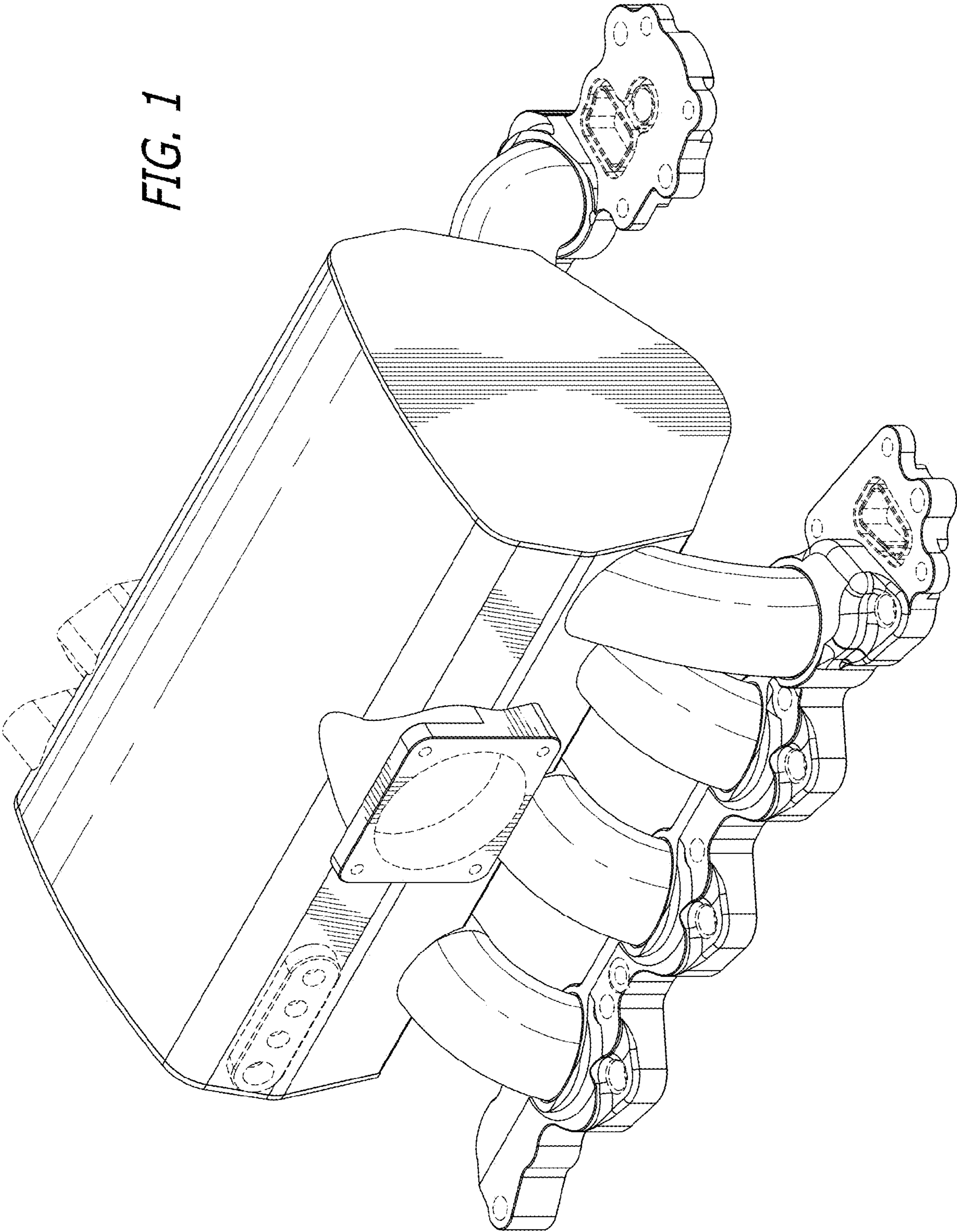
OTHER PUBLICATIONS

amazon.com: “ JEGS Performance Products 513056 Fabricated Intake Manifold 2011-2014 Ford 5.0L: Automotive”, 5 pages, retrieved from the Internet <URL: https://www.amazon.com/...rd_wg=aiTq0&pf_rd_p=7cd8f929-4335-4bf2-a554-7d7588b3dd5f&pf_rd_r=XKMJJXZPC1G97VMEXBFW&pvc=1&refRID=XKMJJXZPC1G97VMEXBFW> [retrieved on Feb. 27, 2020].
 AMAZON.COM: “2JZ GTE Tig Welded Sheet Metal intake W/Rails and 90mm Thottle body”, 6 pages, retrieved from the Internet

<URL: https://www.amazon.com/Welded-Sheet-Metal-intake-Thottle/dp/B0748Y6QJP/ref=sr_1_1?dchild=1&keywords=B0748Y6QJP&qid=1591320393&s=automotive&sr=1-1>, [retrieved 2017].
 AMAZON.COM: “Billet Custom Intake Manifold Kit for 1993+ and up Supra MK4 2JZ-GTE w/ 90MM Throttle Body & Hi Flow Fuel Rail”, 5 pages, retrieved from the Internet <URL: https://www.amazon.com/TOYOTA-2JZ-GTE-CUSTOM-MANI-FOLD-THROTTLER/dp/B071F9CT8Q/ref=sr_1_16?dchild=1&keywords=manifold&qid=1591156534&sr=8-16&srs=20639935011>, [retrieved on Jun. 2, 2020].
 AMAZON.COM: search results for “intake manifold deepmotor search”, 7 pages, retrieved from the internet <URL: https://www.amazon.com/s?k=intake+manifold+deepmotor&ref=nb_sb_noss_2>[retrieved on Jun. 2, 2020].
 AMAZON.COM: “A-Team Performance Intake Manifold 102mm Throttle Body Sheet Metal Fabricated EFI 15° Throttle Opening Compatible with Chevrolet Chevy GMC Pontiac LS LS1 LS2 LS6 Black”, 7 pages, retrieved from the Internet <URL: https://www.amazon.com/Team-Performance-Fabricated-Compatible-Chevrolet/dp/B076Z97CCW/ref=cm_cr_arp_d_product_top?ie=UTF8>[retrieved on Feb. 22, 2021].
 AMAZON.COM: “Sniper 822112-1 Black Low-Profile Sheet Metal Fabricated Intake Manifold for LS3/L92 w/ 102mm Throttle Body Opening & Fuel Rail Kit”, 5 pages, retrieved from the Internet <URL: https://www.amazon.com/Sniper-822112-1-Low-Profile-Fabricated-Manifold/dp/B07RLMX385/ref=sr_1_4?keywords=LS3+L92+intake+manifold+with+fuel+rail+kit+102mm&qid=1582846561&s=automotive&sr=1-4>[retrieved on Feb. 27, 2020].
 AMAZON.COM: “BMW N54 3.0L TIG Weld Intake Manifold 135i 335i 535i E90 to E93 E60 E61 E82 E88”, 5 pages, retrieved from the Internet <URL: https://www.amazon.com/3-0L-Weld-Intake-Manifold-135i/dp/B07B7D1VT2/ref=sr_1_fkmlr1_2?keywords=B MW+ N 54+ Billet+ Intake+ U Manifold&qid=1582652714&s=automotive&sr=1-2-fkmlr1>[retrieved on Feb. 25, 2020].
 EBAY.COM: “Items for sale by deepmo_64 lebay”, 3 pages retrieved from the internet <URL: https://www.ebay.com/sch/deepmo_64/m.html?nkw=&_armrs=1&_from=&jpg=200&rt->[retrieved on Jun. 2, 2020].
 AMAZON.COM: “Tig Welding Aluminum Intake Manifold for BMW N54 3.0L:Automotive”, 5 pages, retrieved from the Internet <URL: https://www.amazon.com/Welded-Aluminum-Intake-Manifold-3-0L/dp/B07KTJNKL8/ref=pd_sbs_263_1/147-9724501-2684428?_encoding=UTF8&pdJdj=B07KTJNKL8&pd_rd_r=35f0a955-e3c3-4984-b6c2-ade6c7d97cOc&pd_rd_w=bmcnb&pd_rd_wg=4Z199&pUd_p=7cd8f929-4345-4bf2-a5544-7d7588b3dd5f&pUd_r=5HNTFPF2563487W1BVR4&pvc=1&refRID=5HNTFPF25> [retrieved Feb. 25, 2020].

* cited by examiner

FIG. 1



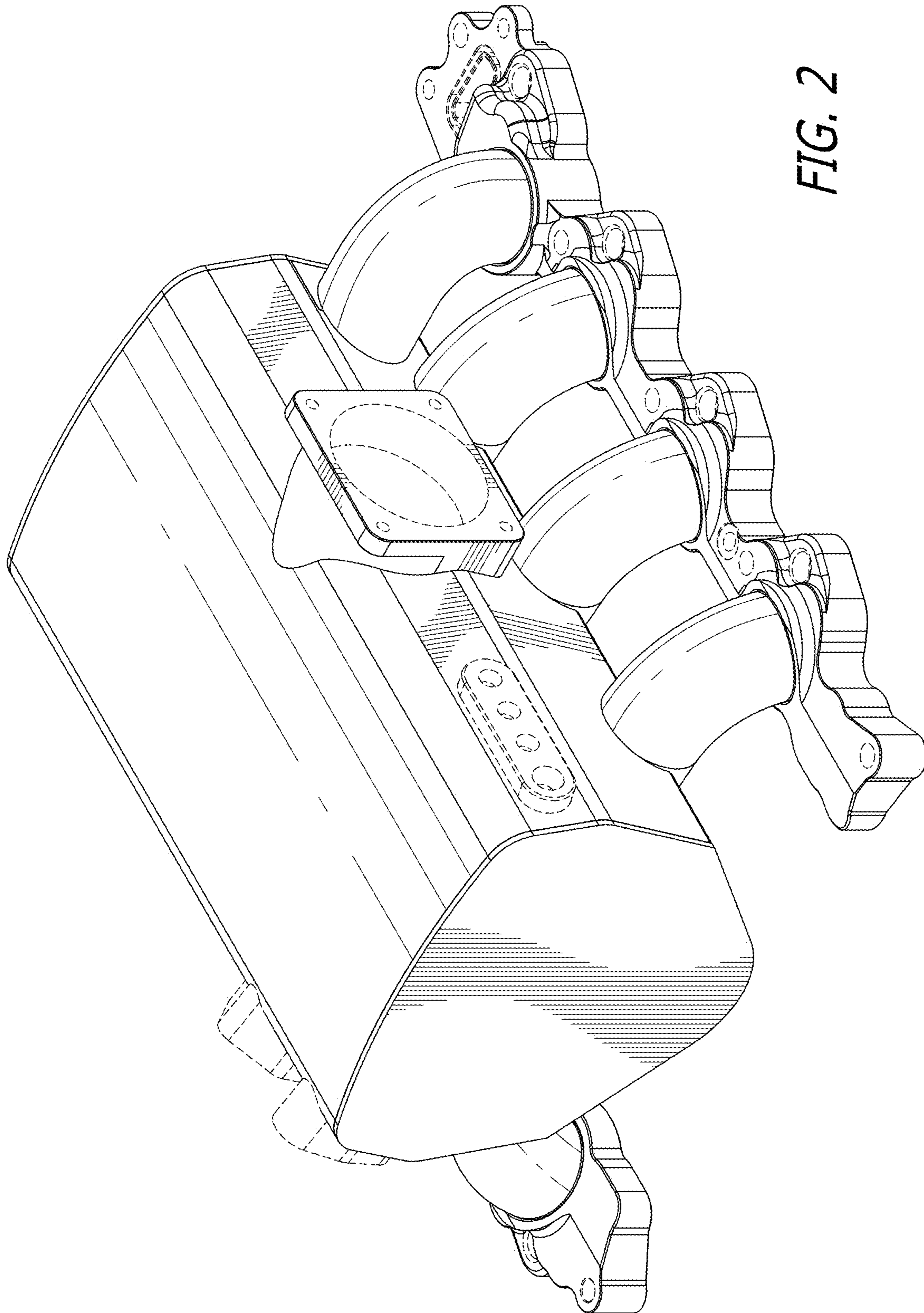


FIG. 2

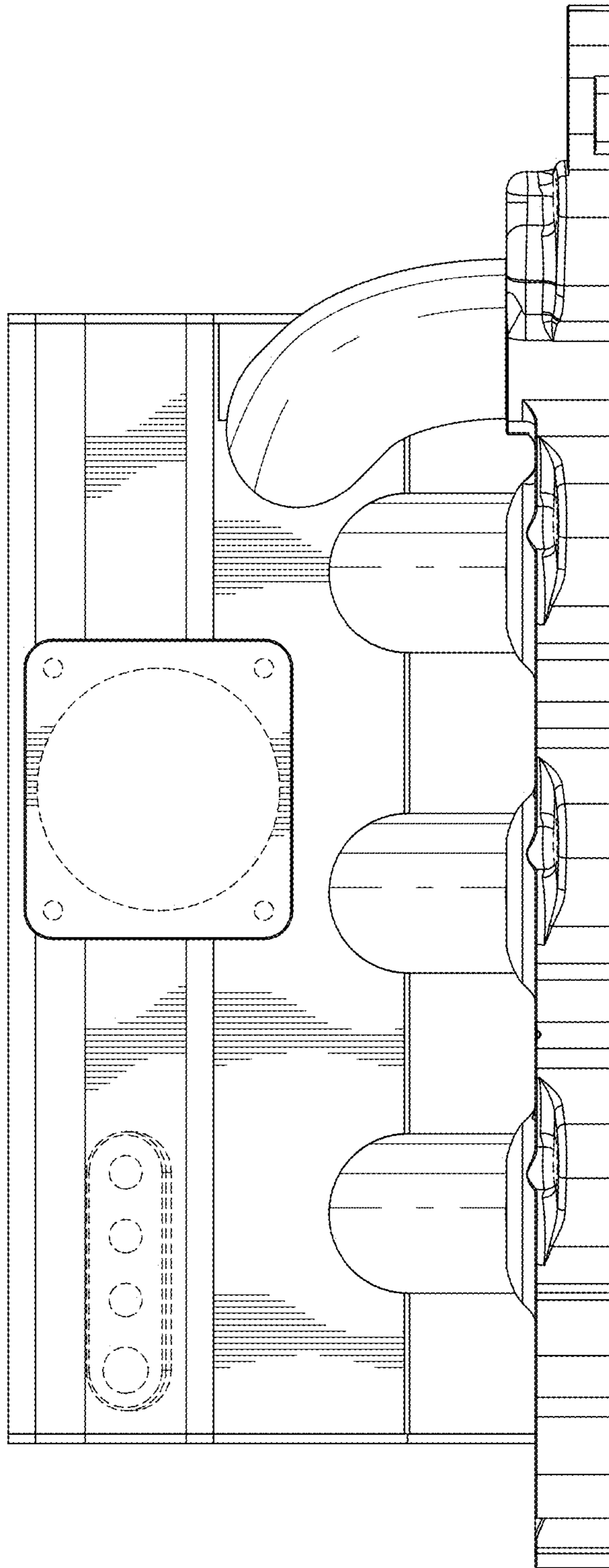


FIG. 3

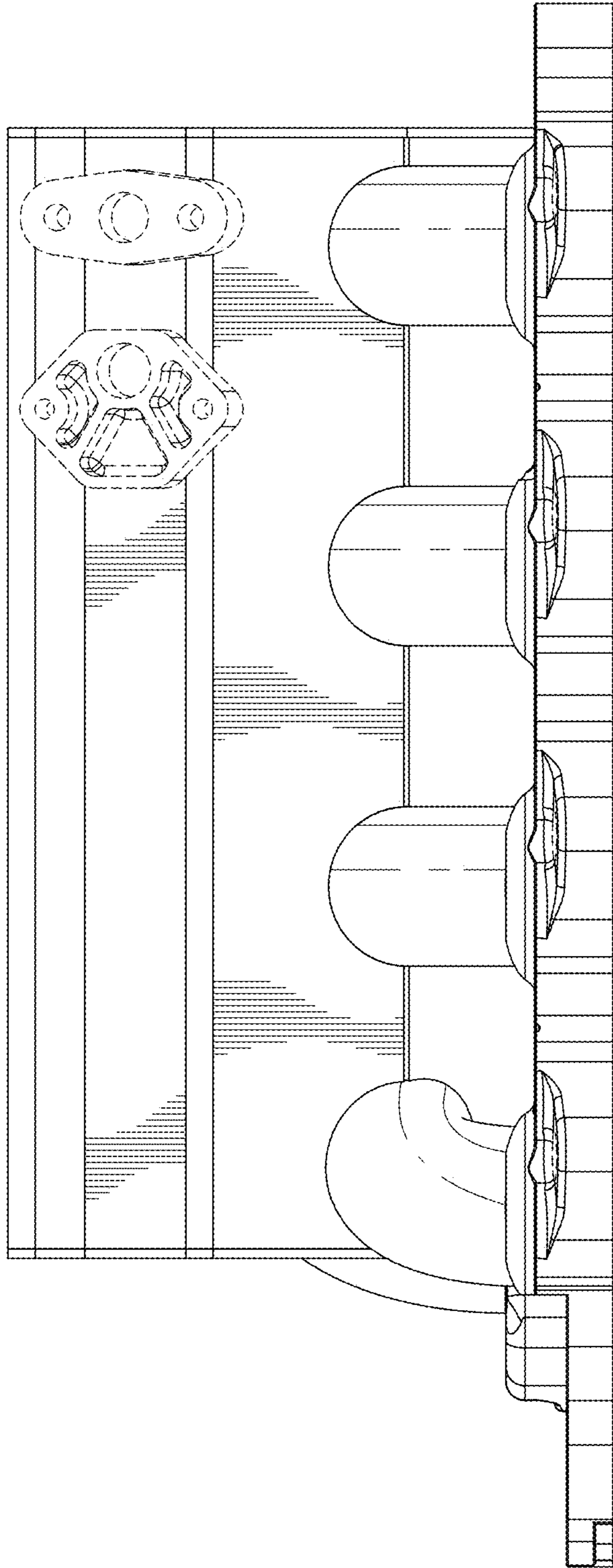


FIG. 4

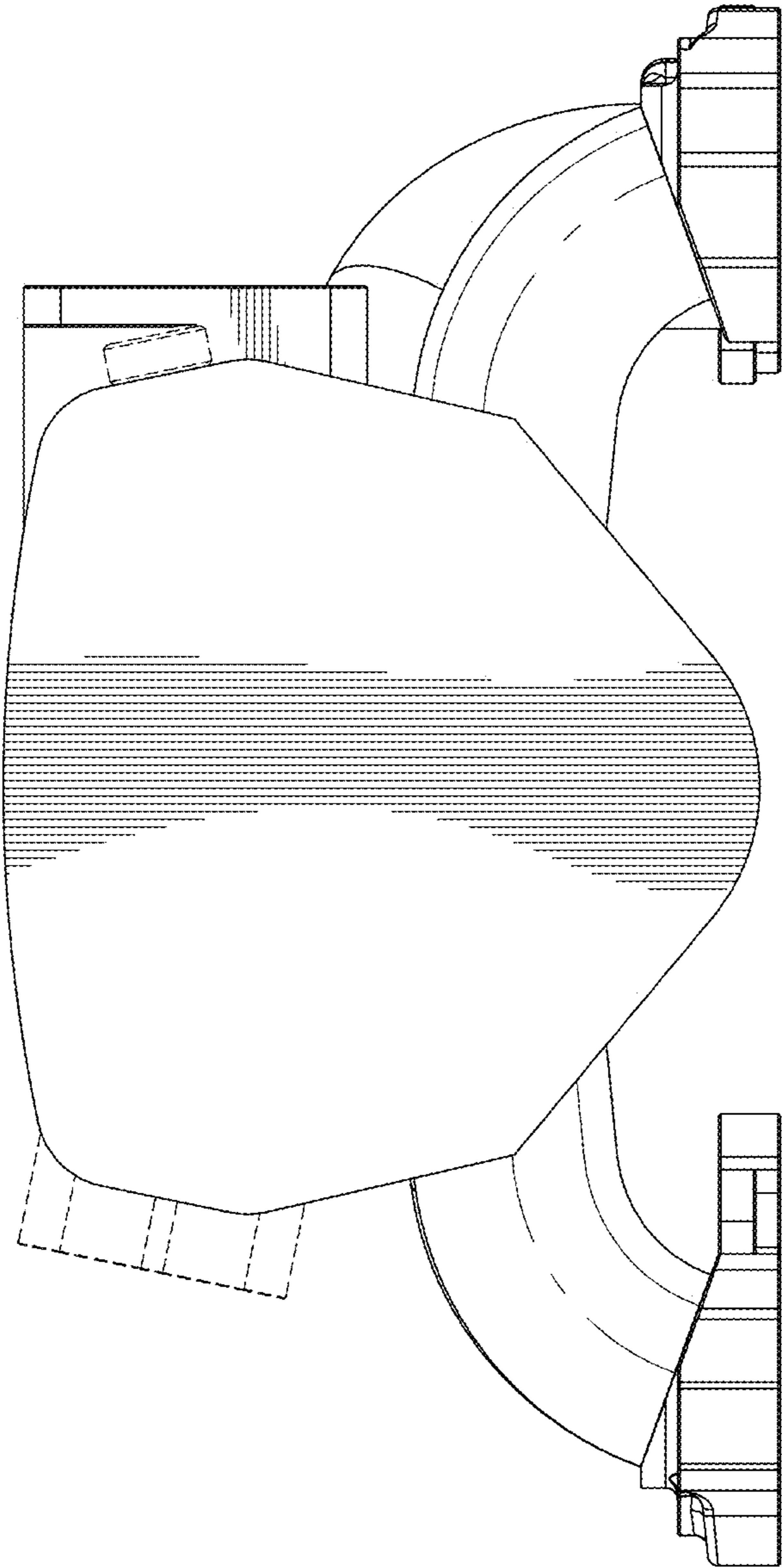


FIG. 5

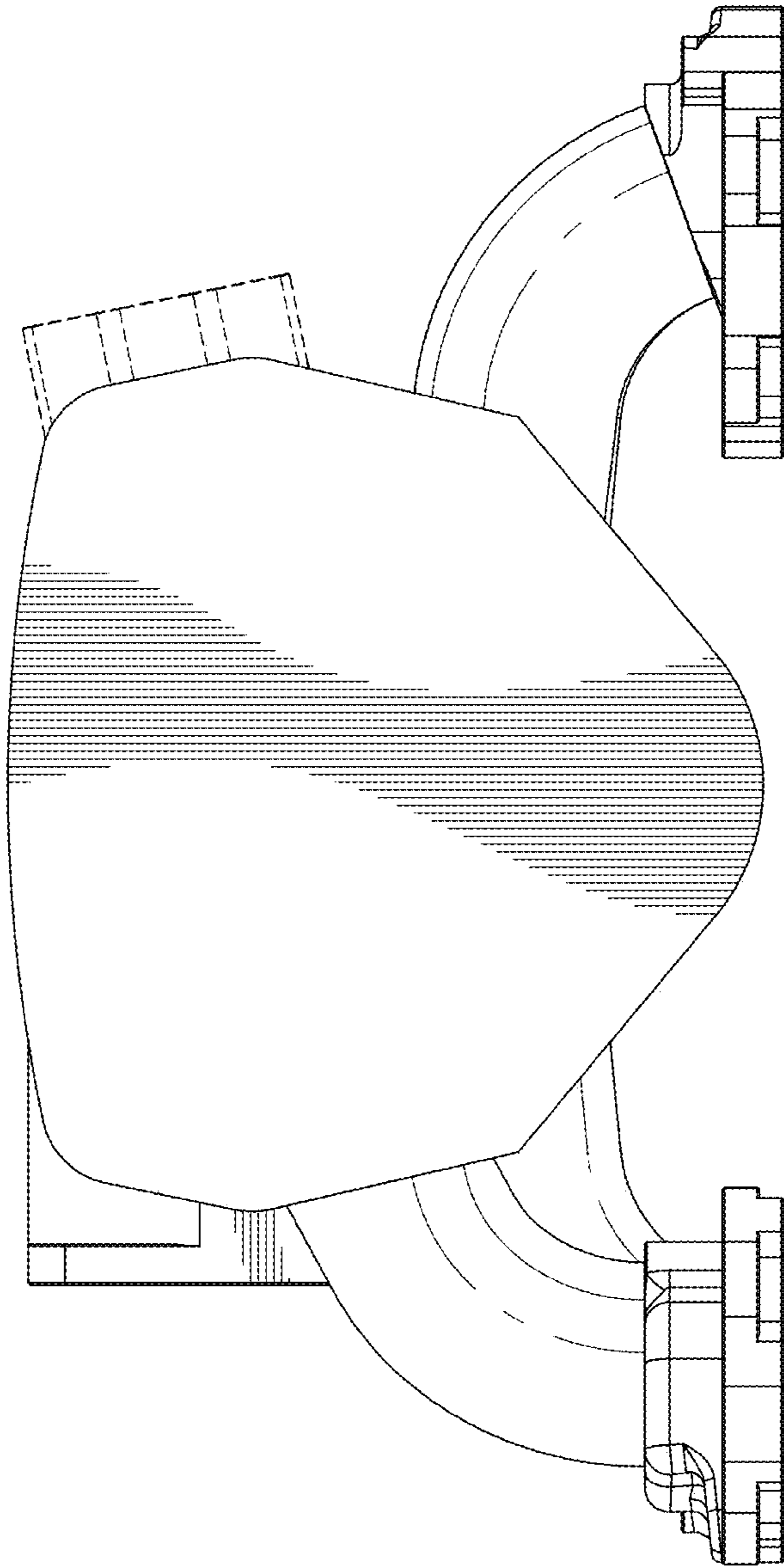


FIG. 6

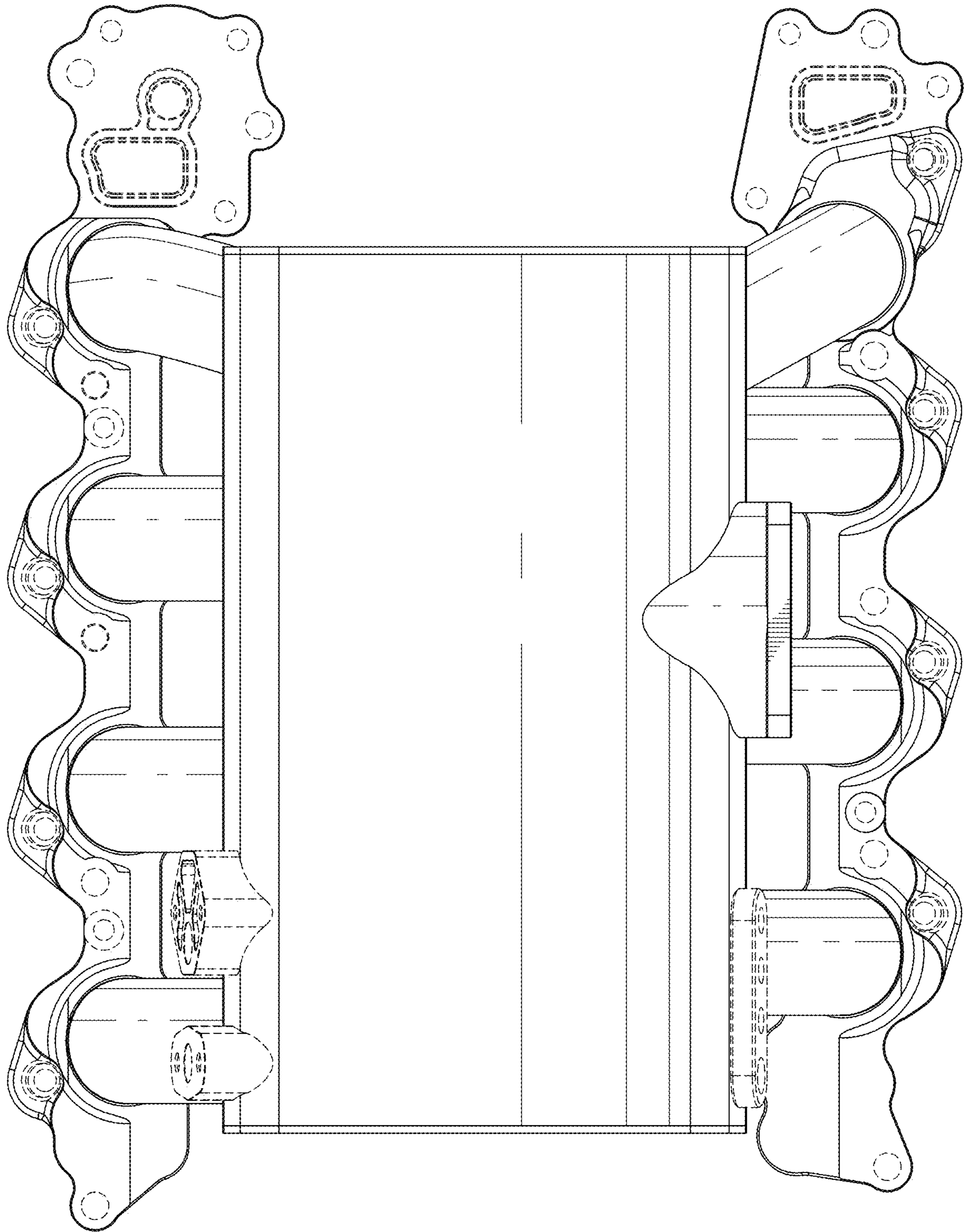


FIG. 7

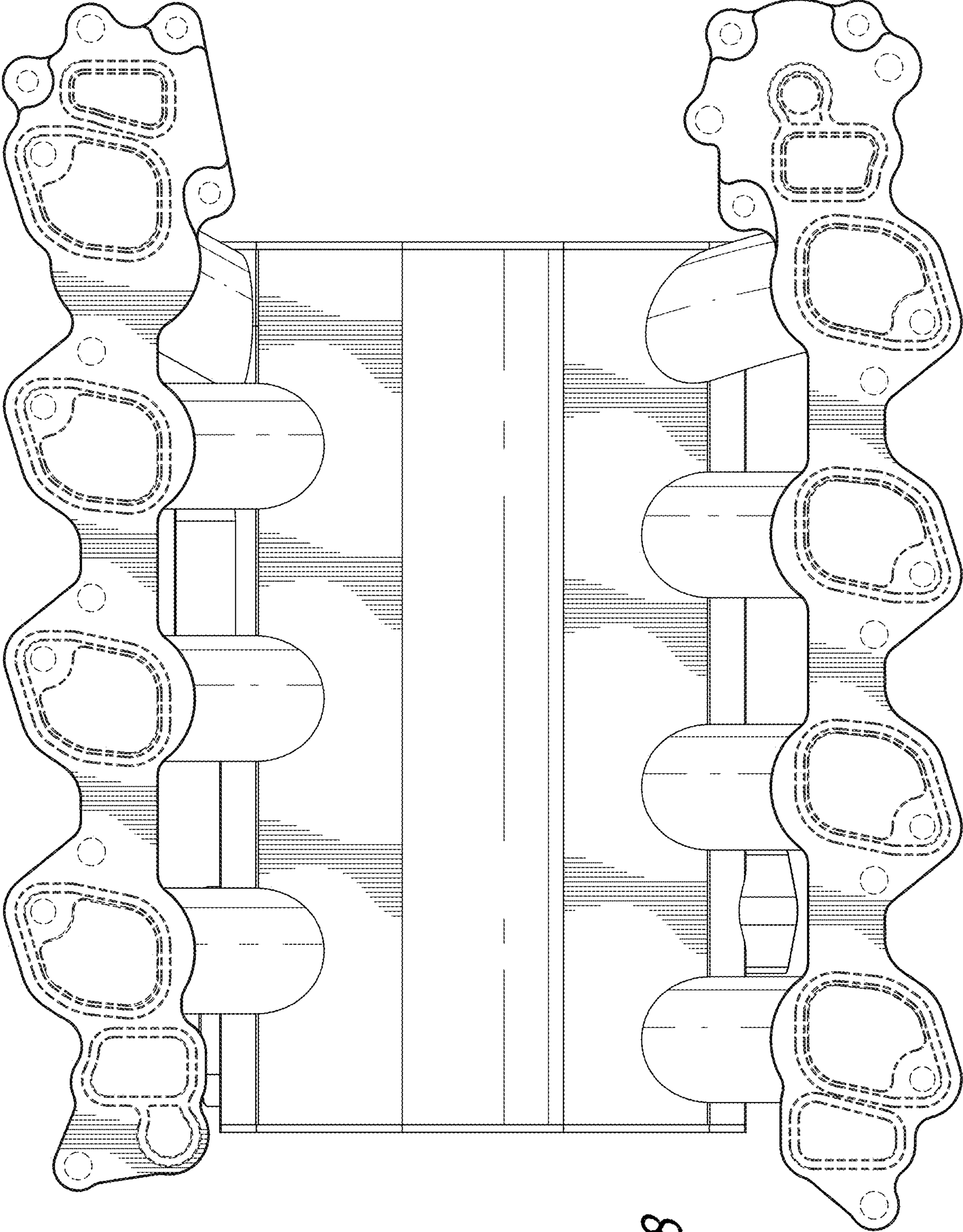


FIG. 8