



US00D957462S

(12) **United States Design Patent** (10) **Patent No.:** **US D957,462 S**  
**Kamble et al.** (45) **Date of Patent:** **\*\* Jul. 12, 2022**

(54) **ROCKER PEDESTAL**  
(71) Applicant: **Powerhouse Engine Solutions**  
**Switzerland IP Holding GmbH, Zug**  
(CH)  
(72) Inventors: **Sandeep Kamble**, Bangalore (IN);  
**Dattatraya Somnath Bhagoji**,  
Bangalore (IN)  
(73) Assignee: **Powerhouse Engine Solutions**  
**Switzerland IP Holding GmbH, Zug**  
(CH)  
(\*\*) Term: **15 Years**  
(21) Appl. No.: **29/739,815**  
(22) Filed: **Jun. 29, 2020**  
(51) **LOC (13) Cl.** ..... **15-01**  
(52) **U.S. Cl.**  
USPC ..... **D15/5**  
(58) **Field of Classification Search**  
USPC ..... D15/1-9, 9.1, 9.2  
CPC ... F01L 1/181; F02B 75/22; F02B 2075/1832;  
F02B 2275/34; F02F 1/38; F02F  
2001/245  
See application file for complete search history.

D921,700 S \* 6/2021 Keatley ..... D15/5  
D927,556 S \* 8/2021 Vaidyanathan ..... D15/5  
D931,920 S \* 9/2021 Reiter ..... D15/149  
D933,113 S \* 10/2021 Reiter ..... D15/149

**OTHER PUBLICATIONS**

“Koenig Expander® MB Sealing technology,” YouTube Website,  
Available Online at <https://www.youtube.com/watch?v=zcCnGM4ih64>, Jun. 21, 2015, 4 pages.  
Kamble, S. et al., “An Ornamental Design for a Rocker Shaft,” U.S.  
Appl. No. 29/739,807, filed Jun. 29, 2020, 8 pages.  
Kamble, S. et al., “An Ornamental Design for a Rocker Arm,” U.S.  
Appl. No. 29/739,813, filed Jun. 29, 2020, 9 pages.

\* cited by examiner

*Primary Examiner* — Michael C Stout  
*Assistant Examiner* — Fritzgerald L Butac  
(74) *Attorney, Agent, or Firm* — McCoy Russell LLP

(57) **CLAIM**

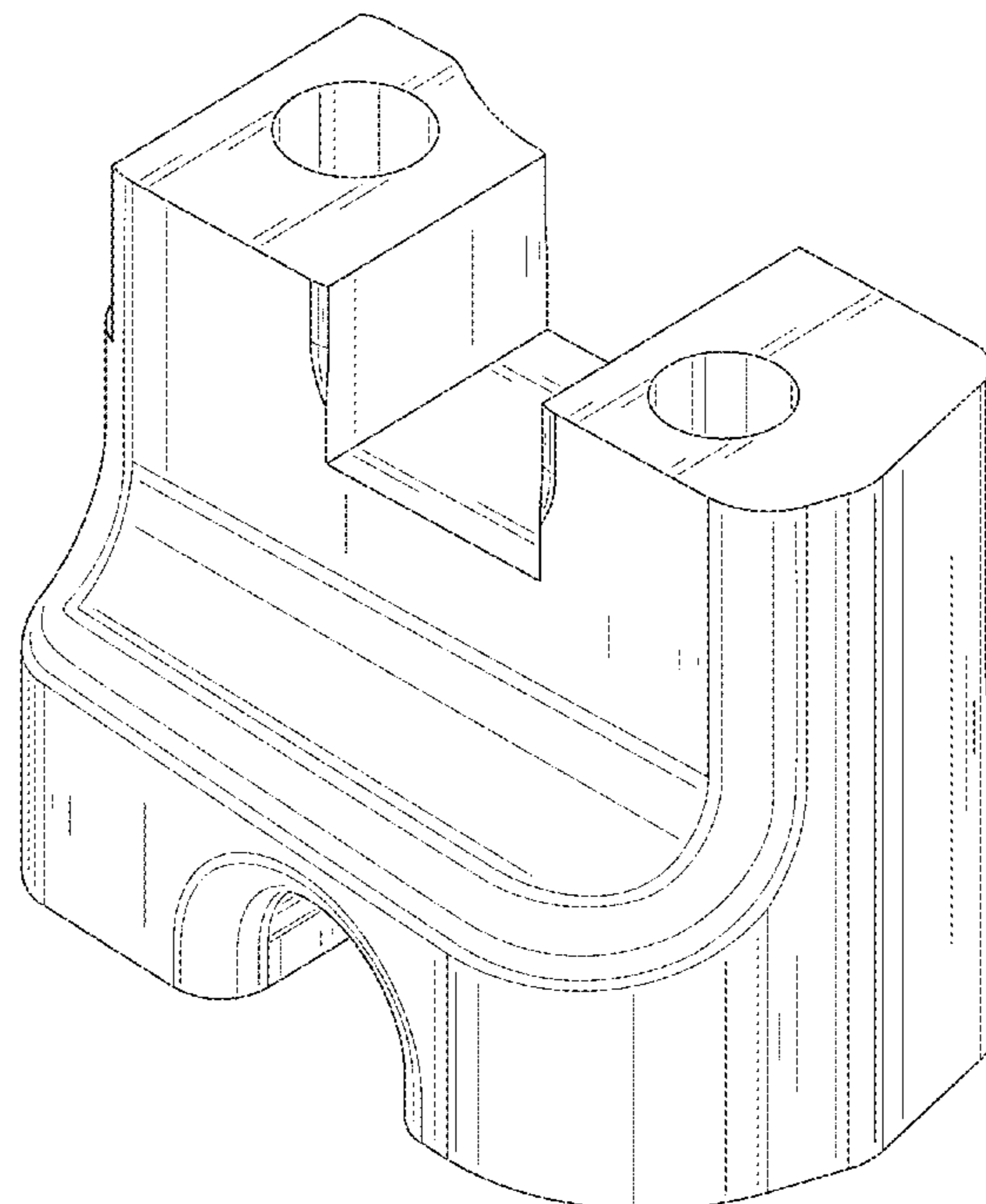
The ornamental design for a rocker pedestal, as shown and described.

**DESCRIPTION**

FIG. 1 is a front-top-right perspective view of a rocker pedestal, according to the present invention.  
FIG. 2 is a front view of the rocker pedestal.  
FIG. 3 is a rear view of the rocker pedestal.  
FIG. 4 is a left side view of the rocker pedestal.  
FIG. 5 is a right side view of the rocker pedestal.  
FIG. 6 is a top view of the rocker pedestal; and,  
FIG. 7 is a bottom view of the rocker pedestal.  
The broken lines in FIG. 7 of the drawings show portions of the rocker pedestal that form no part of the claimed design.

**1 Claim, 7 Drawing Sheets**

(56) **References Cited**  
U.S. PATENT DOCUMENTS  
D587,284 S \* 2/2009 Stopanio ..... D15/5  
D703,238 S \* 4/2014 Ueno ..... D15/5  
D703,239 S \* 4/2014 Ueno ..... D15/5  
D797,153 S \* 9/2017 Kencevski ..... D15/5  
D820,320 S \* 6/2018 Kencevski ..... D15/5  
D909,415 S \* 2/2021 Keatley ..... D15/5



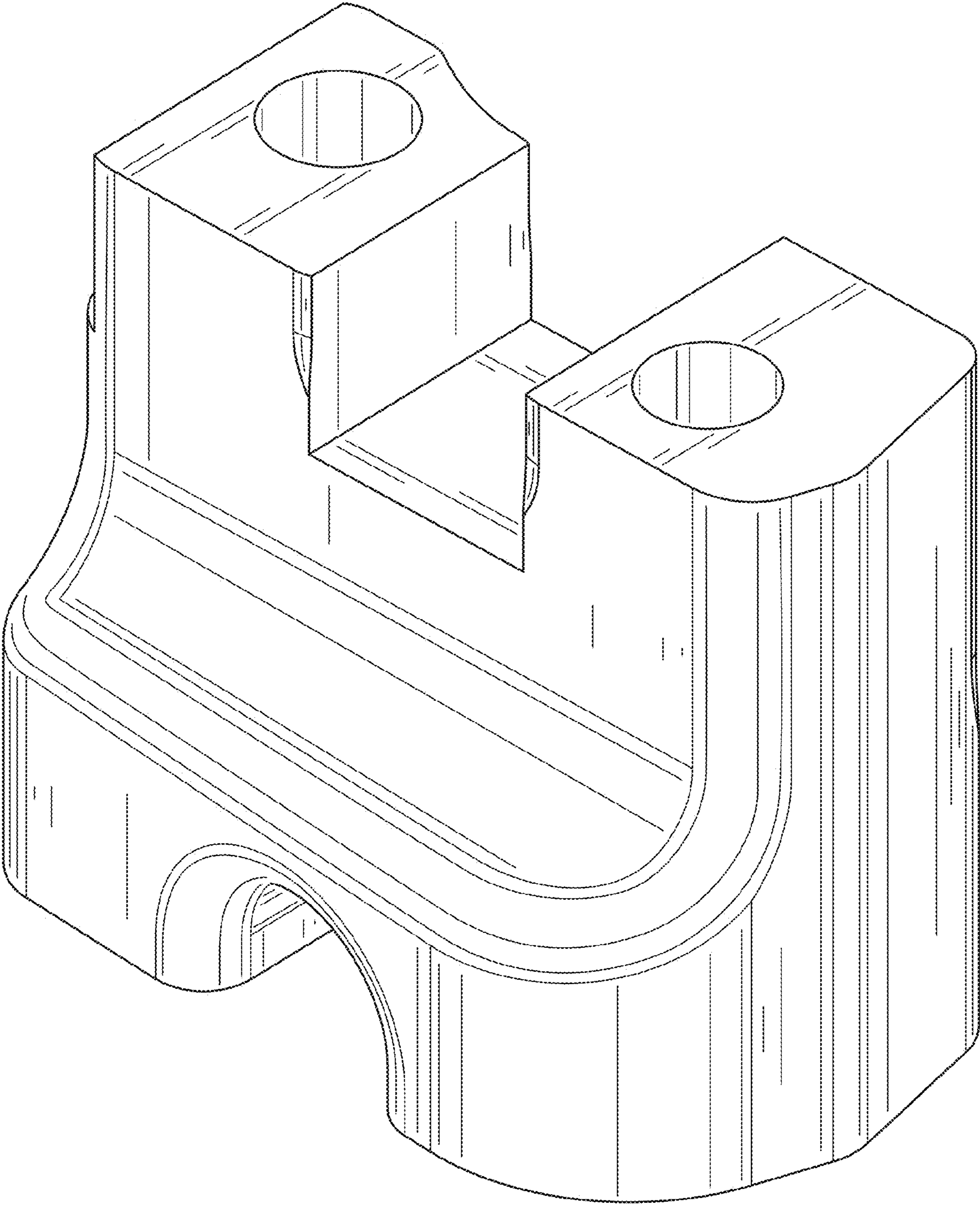


FIG. 1

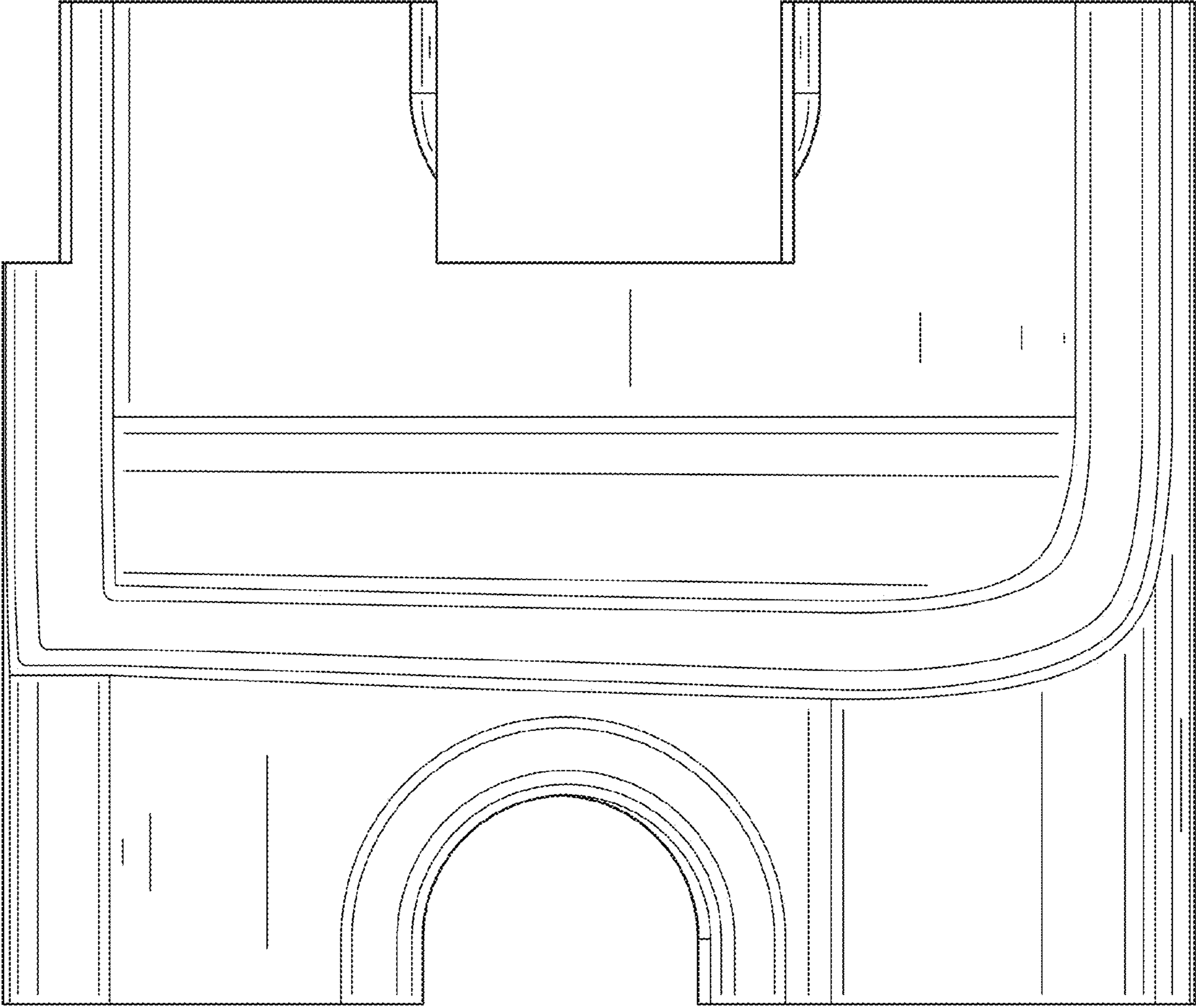


FIG. 2

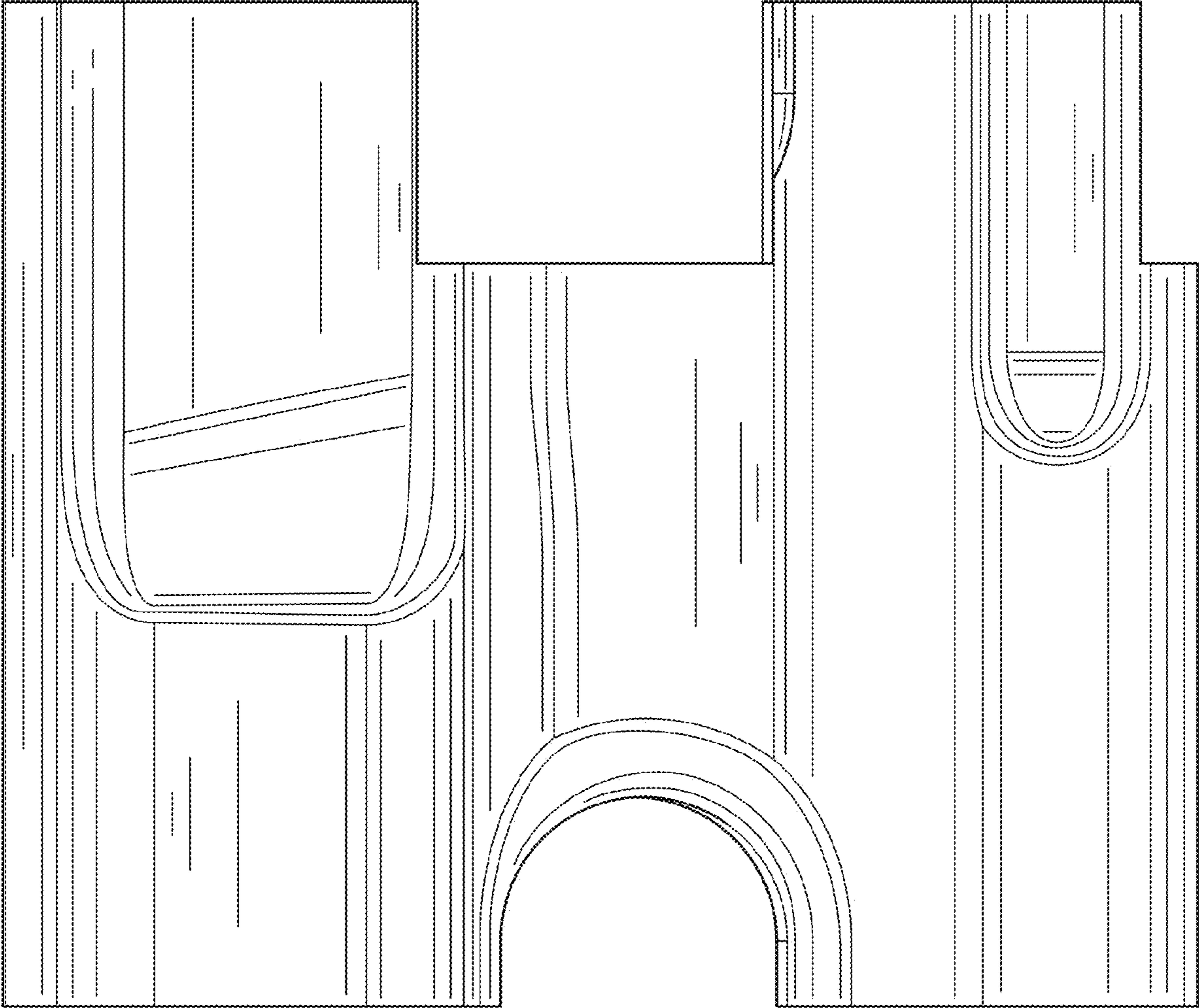


FIG. 3

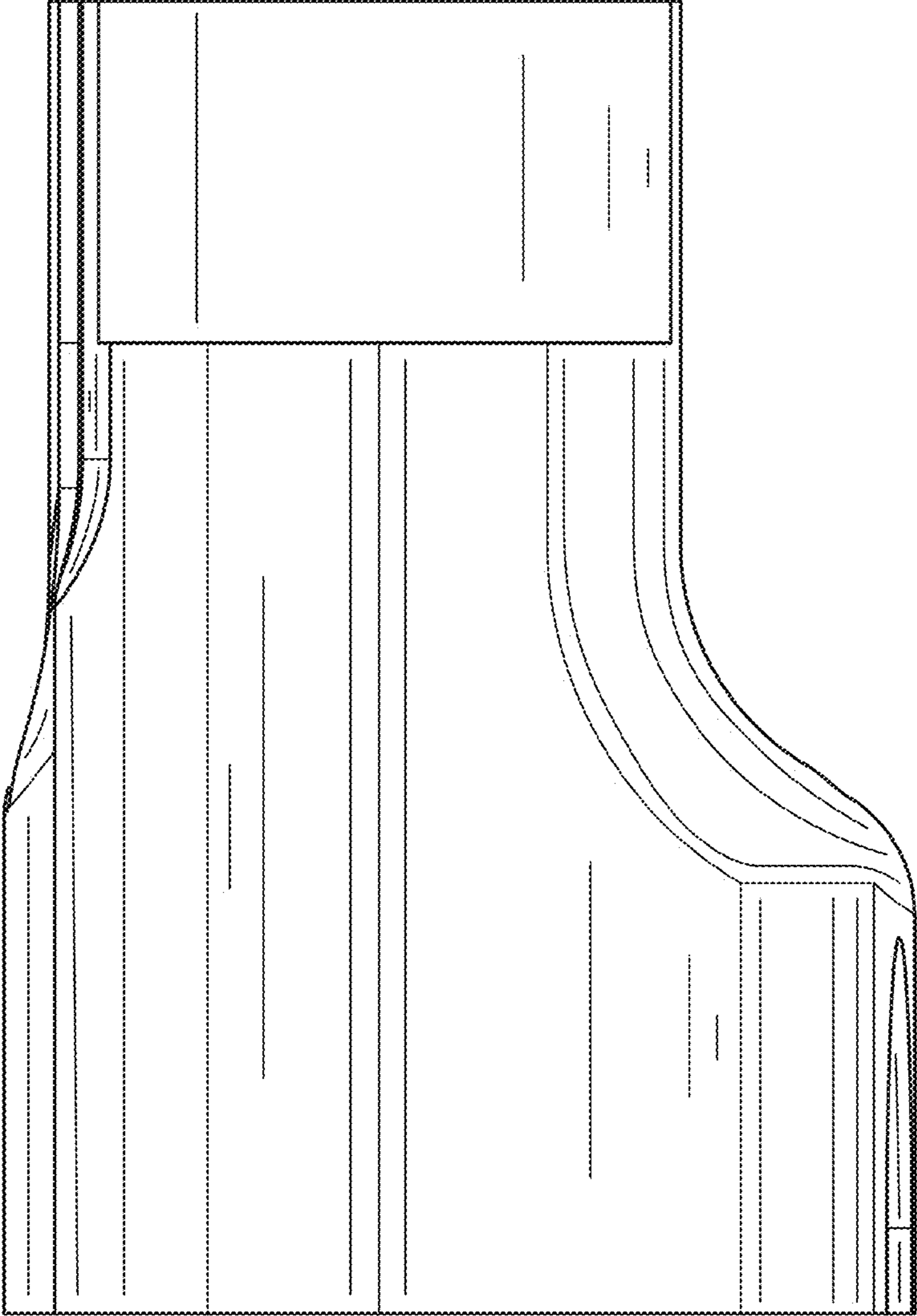


FIG. 4

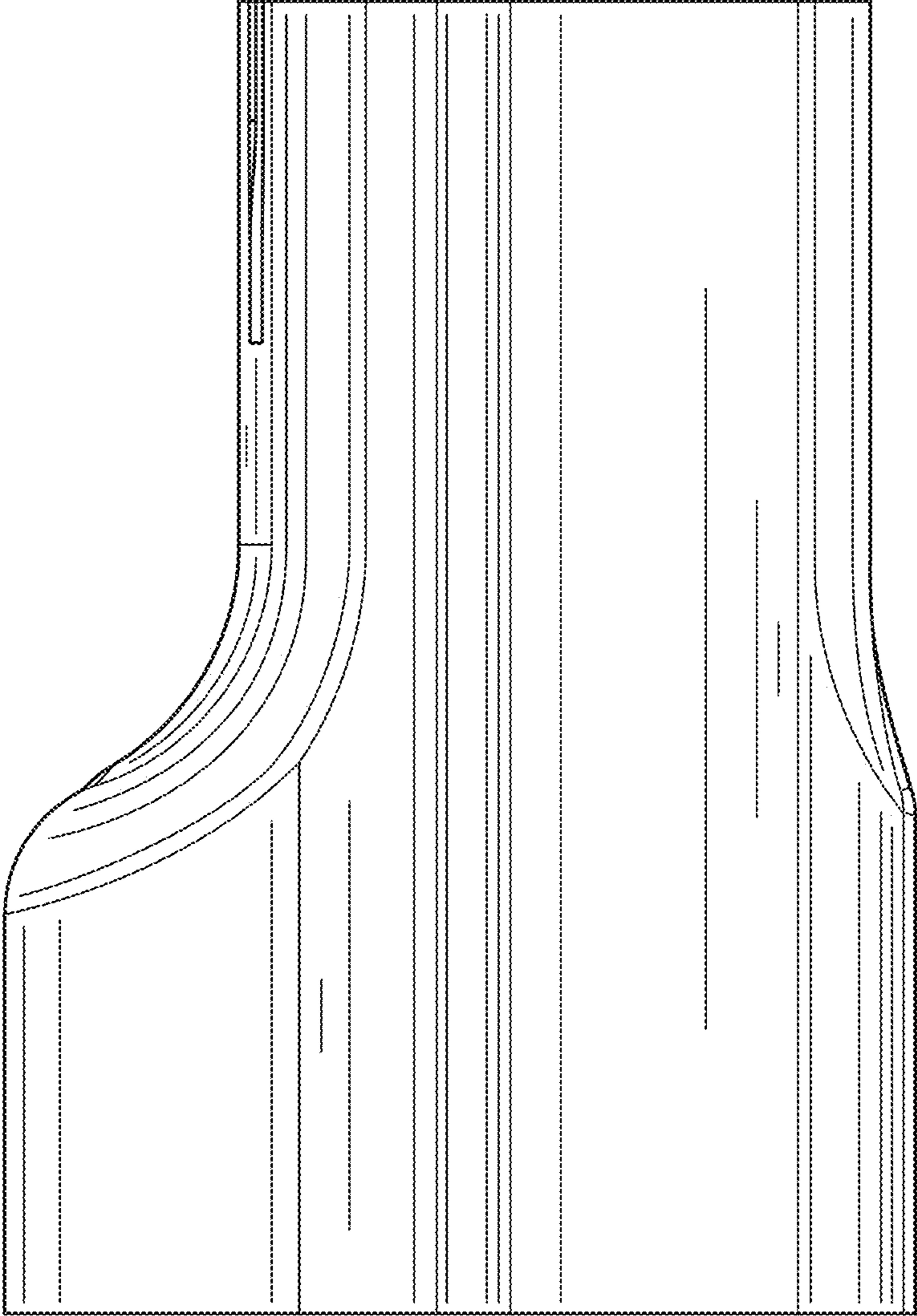


FIG. 5

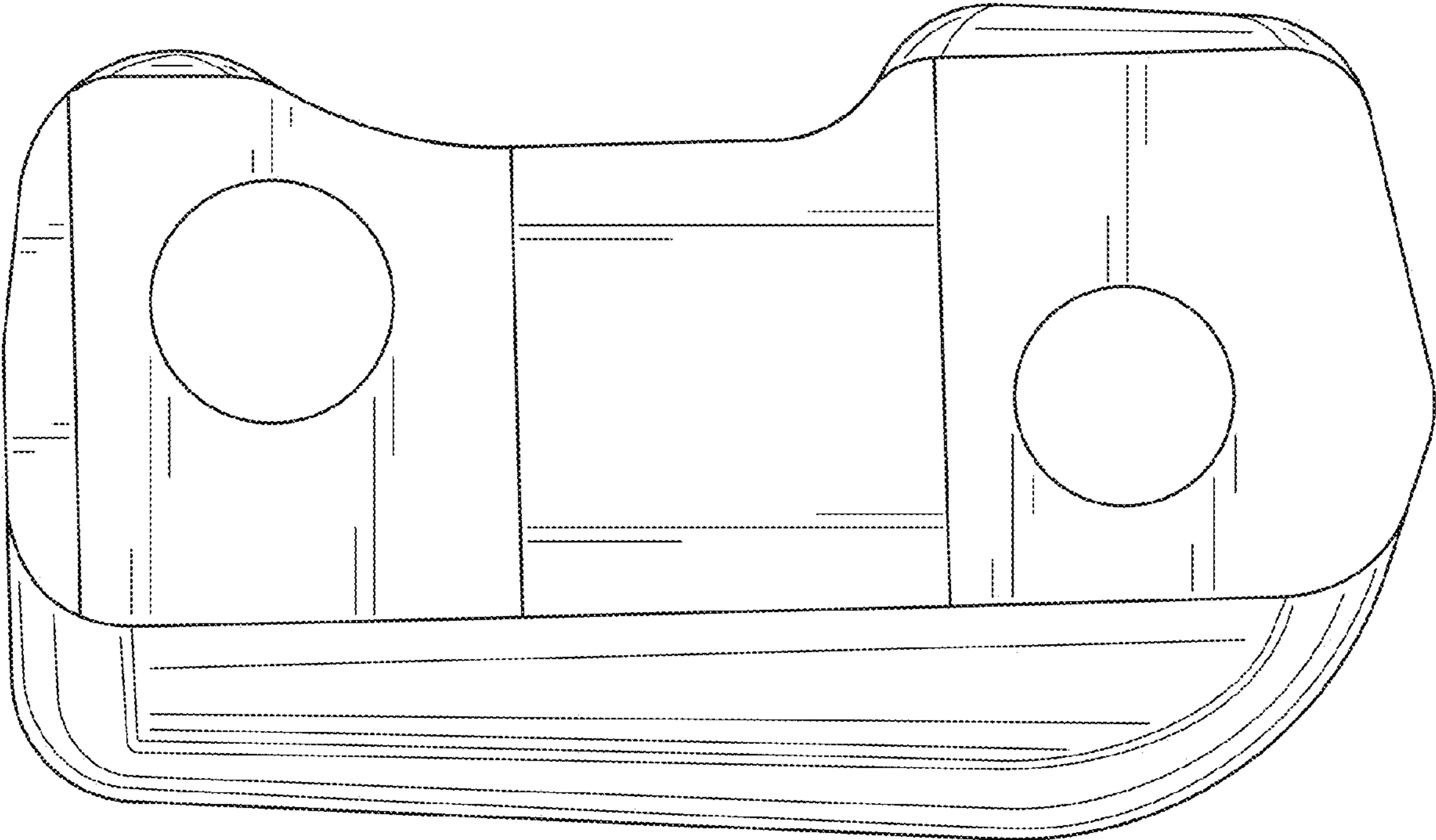


FIG. 6

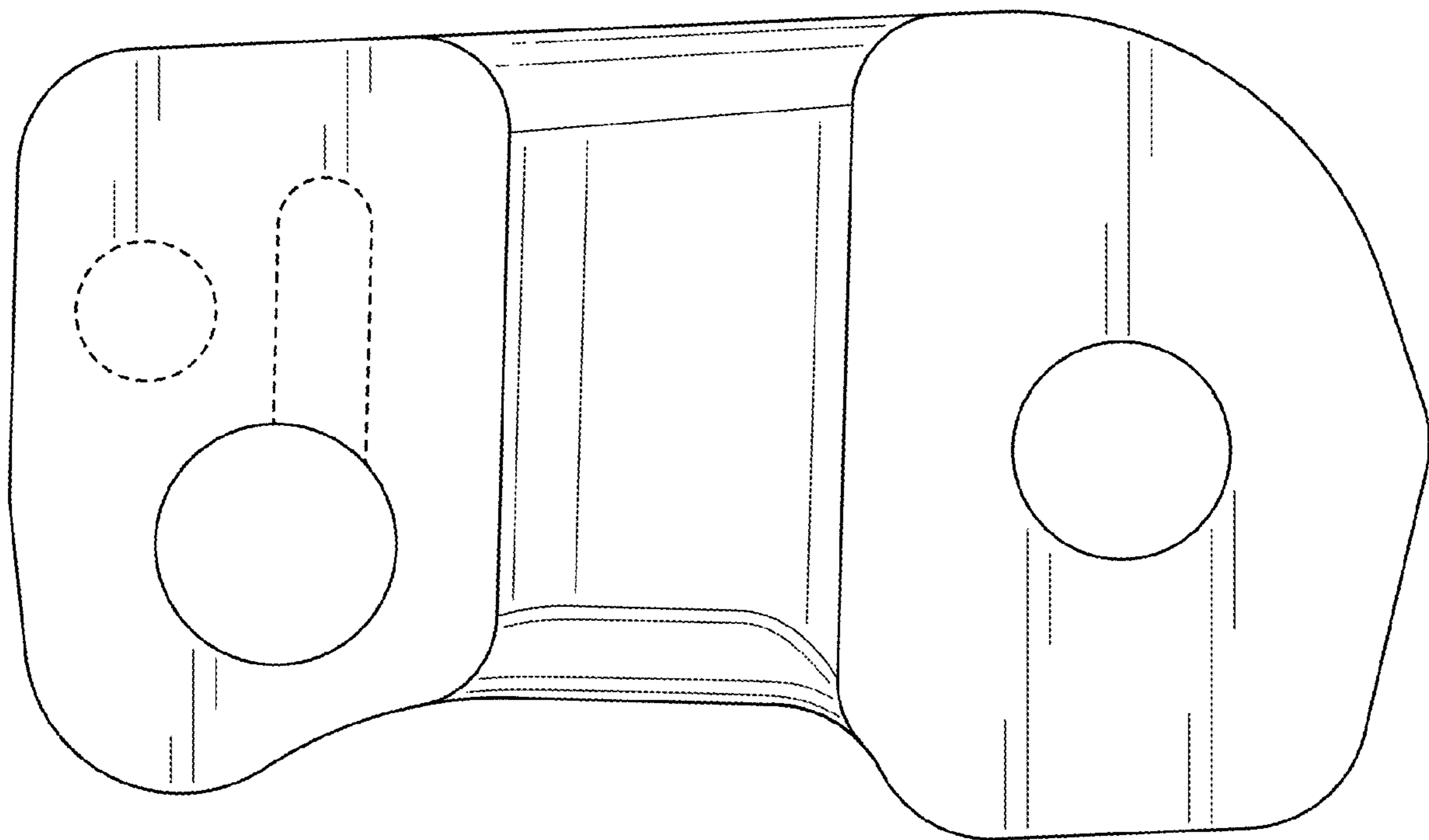


FIG. 7