



US00D957460S

(12) **United States Design Patent**  
**Tafe**

(10) **Patent No.:** **US D957,460 S**

(45) **Date of Patent:** **\*\* Jul. 12, 2022**

(54) **TRANSMISSION COOLER FOR  
AUTOMOTIVE APPLICATIONS**

(71) Applicant: **Resource Intl Inc.**, New Castle, DE  
(US)

(72) Inventor: **Dan Tafe**, Newark, DE (US)

(73) Assignee: **Resource Intl Inc.**, New Castle, DE  
(US)

(\*\*) Term: **15 Years**

(21) Appl. No.: **29/652,654**

(22) Filed: **Oct. 19, 2020**

(51) **LOC (13) Cl.** ..... **15-01**

(52) **U.S. Cl.**  
USPC ..... **D15/5**

(58) **Field of Classification Search**  
USPC ..... D15/1, 2, 6, 3, 4, 5, 149; D23/323;  
D13/179  
CPC ..... F02B 29/0425; F02B 29/0412; F02B  
29/0437; F02B 29/0443; F02B 29/045;  
F28D 7/0066; F28D 1/0408; F28F 1/04;  
F28F 1/12; F28F 9/02; F28F 21/02;  
B60H 1/14; B60H 1/3211; B60H  
1/00271; B60H 1/3205; B60H 1/00342;  
F01P 11/08; F01P 11/04; B21D 53/08;  
F02M 26/27; F02M 26/31; F02M  
35/10268  
See application file for complete search history.

(56) **References Cited**

**U.S. PATENT DOCUMENTS**

10,264,706 B2 \* 4/2019 Wan ..... F28D 1/05366  
D892,877 S \* 8/2020 Wettig ..... D13/179

D892,878 S \* 8/2020 Liu ..... D13/179  
D900,161 S \* 10/2020 Tafe ..... D15/5  
D905,115 S \* 12/2020 Tafe ..... D15/5  
D905,116 S \* 12/2020 Liu ..... D15/5  
D940,014 S \* 1/2022 Wettig ..... D12/166  
2006/0081361 A1 \* 4/2006 Gabbey ..... F28F 9/002  
165/119  
2016/0341488 A1 \* 11/2016 Wan ..... H01L 23/427  
2016/0356557 A1 \* 12/2016 Giordano ..... B60K 11/04  
2017/0122666 A1 \* 5/2017 Jo ..... F28F 9/0265  
2017/0166043 A1 \* 6/2017 Yun ..... B60K 11/04  
2017/0248380 A1 \* 8/2017 Arnott ..... F28F 9/007  
2018/0347446 A1 \* 12/2018 Han ..... F01P 3/18  
2019/0078846 A1 \* 3/2019 Wan ..... H01L 23/427

\* cited by examiner

*Primary Examiner* — Ania Aman

(74) *Attorney, Agent, or Firm* — Condo Roccia Koptiw  
LLP

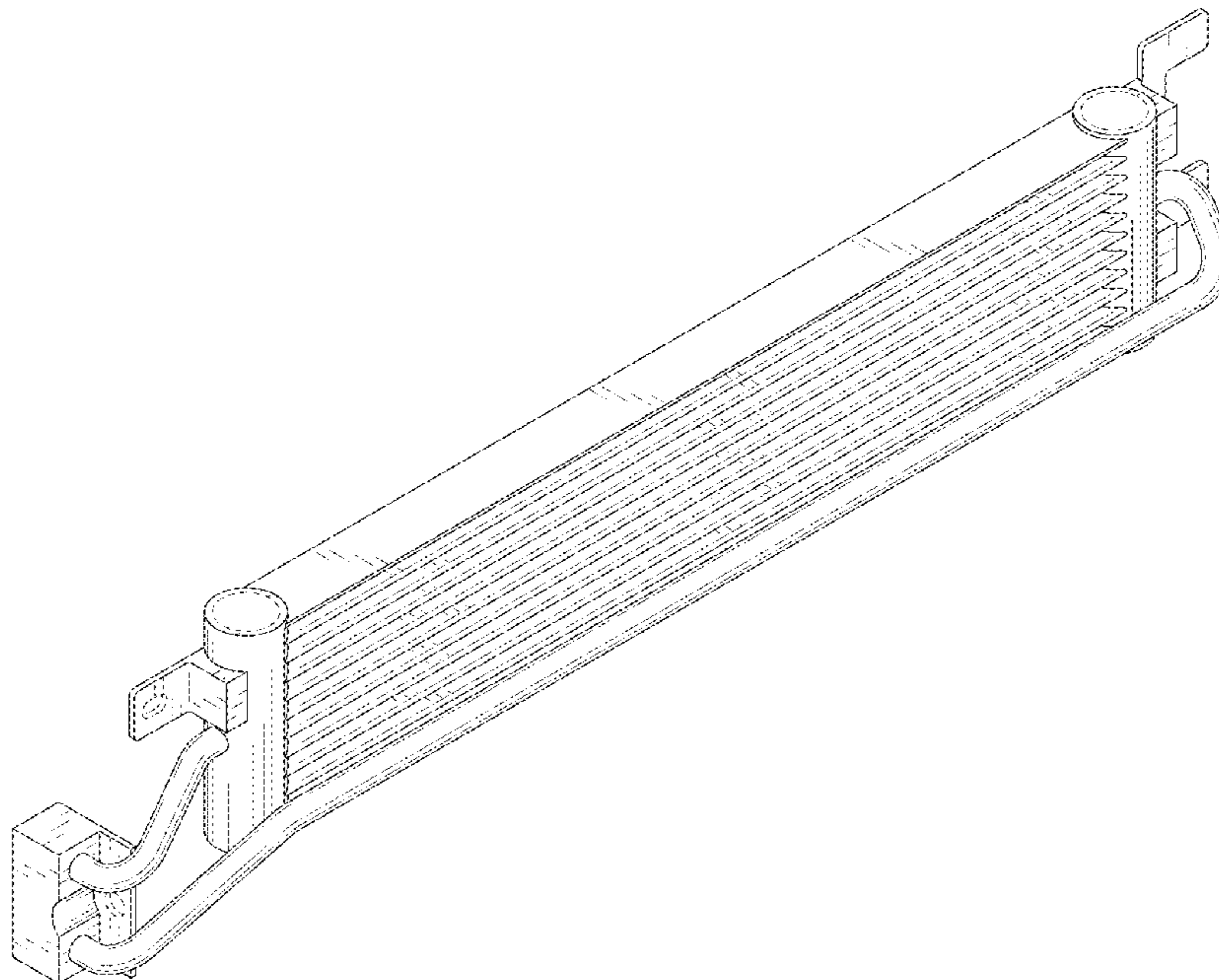
(57) **CLAIM**

The ornamental design for a transmission cooler for auto-  
motive applications, as shown and described.

**DESCRIPTION**

FIG. 1 is a top front perspective view of the transmission cooler for automotive applications showing my new design; FIG. 2 is a front elevation view thereof; FIG. 3 with the rear elevation view being a mirror image thereof; FIG. 4 is a right elevation view thereof; FIG. 5 is a left side elevation view thereof; FIG. 6 is a top plan view thereof; and, FIG. 7 is a bottom plan view thereof. The broken lines shown in the drawings illustrate portions of the transmission cooler for automotive applications that form no part of the claimed design.

**1 Claim, 4 Drawing Sheets**



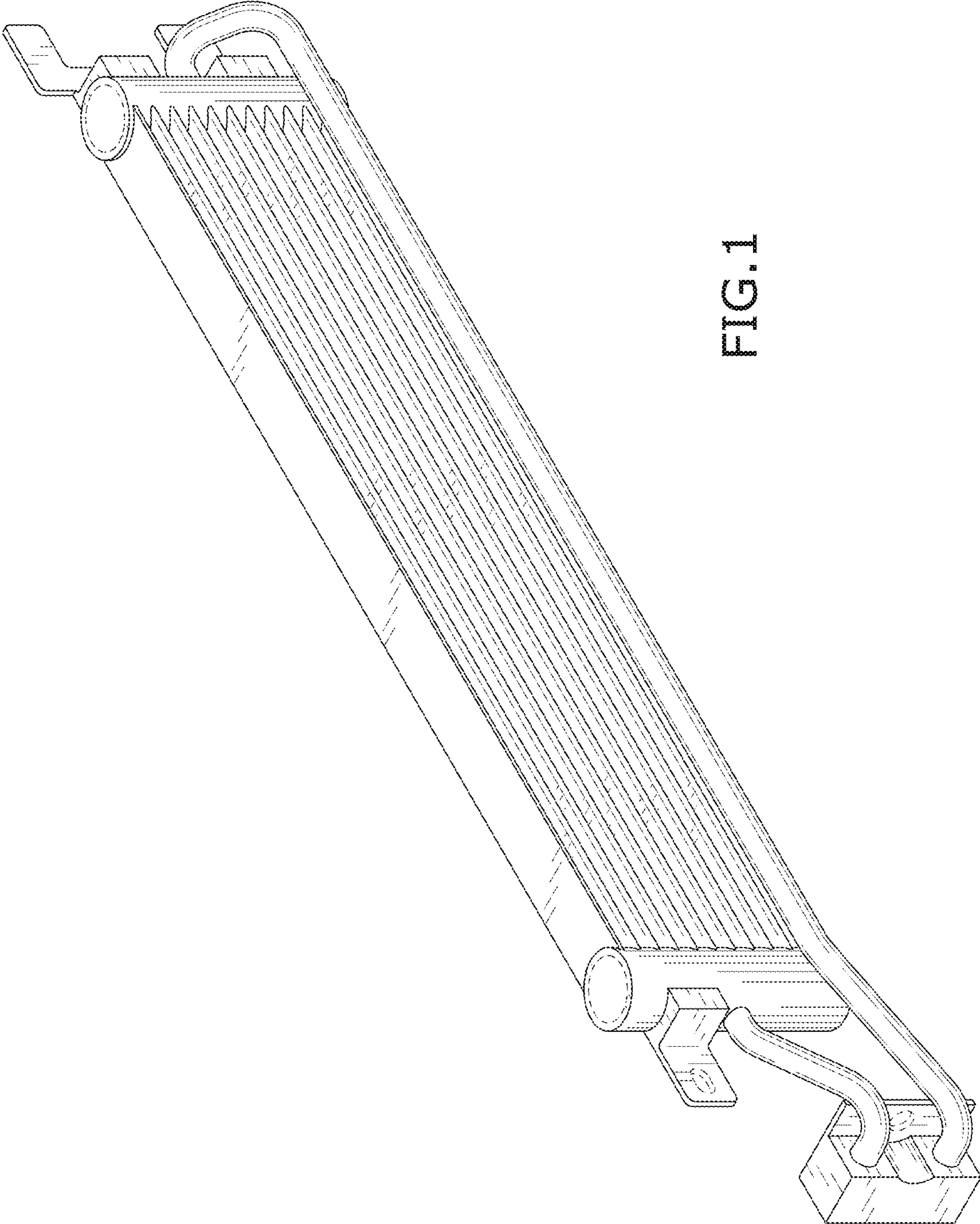


FIG. 1



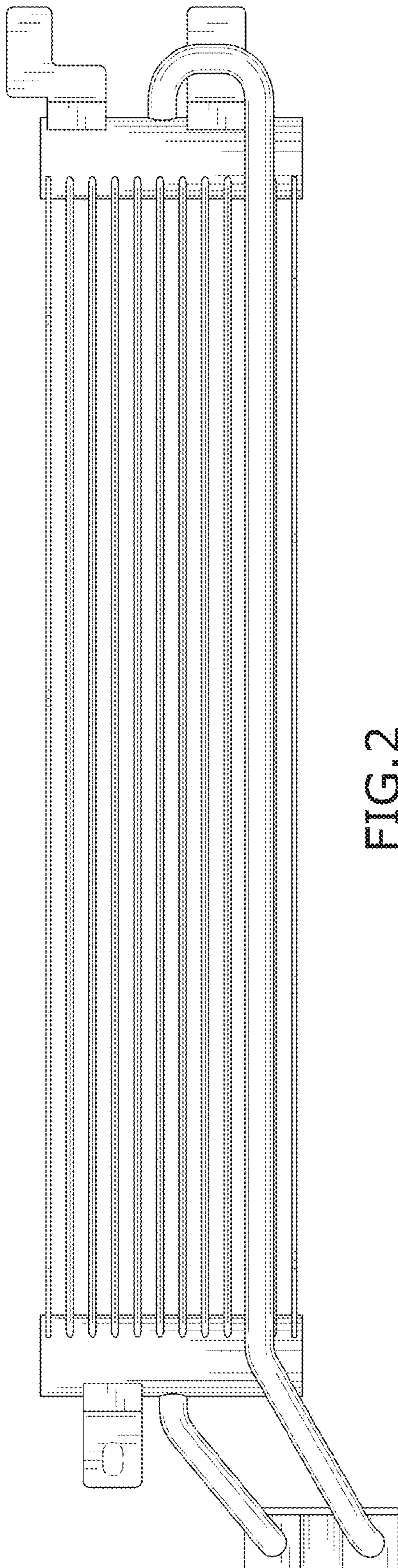


FIG. 2

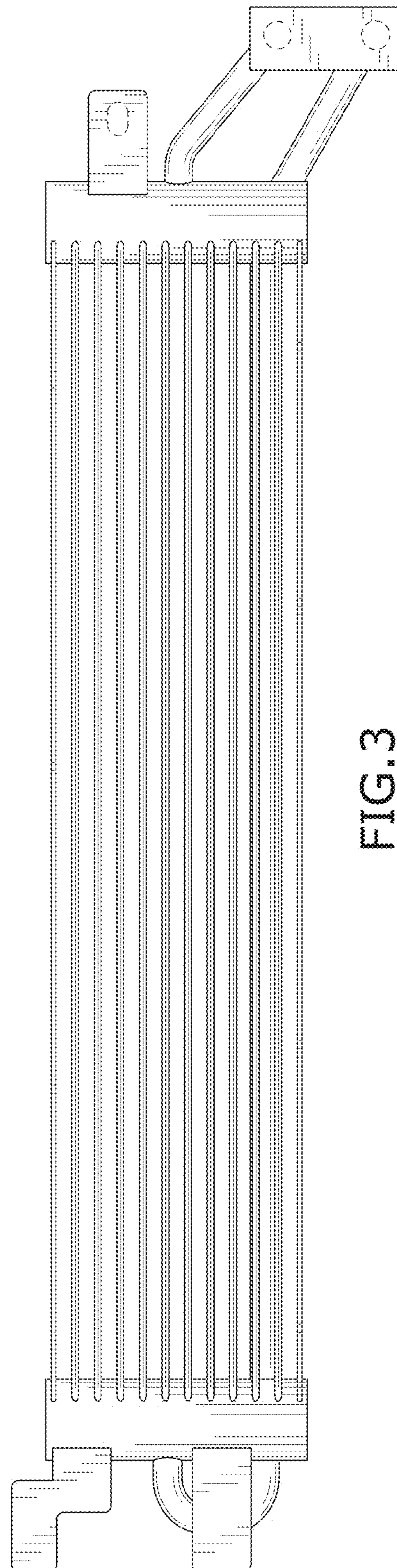


FIG. 3

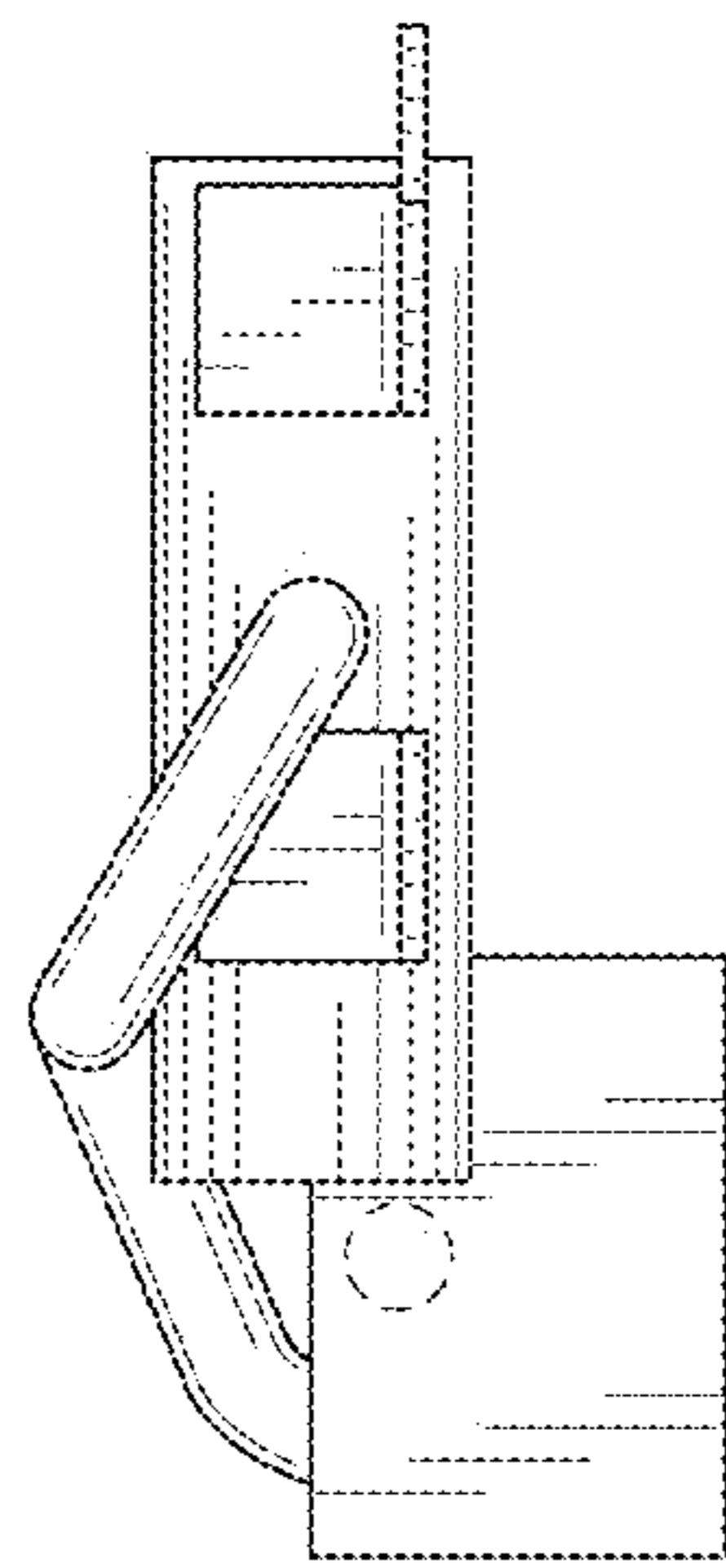


FIG. 4

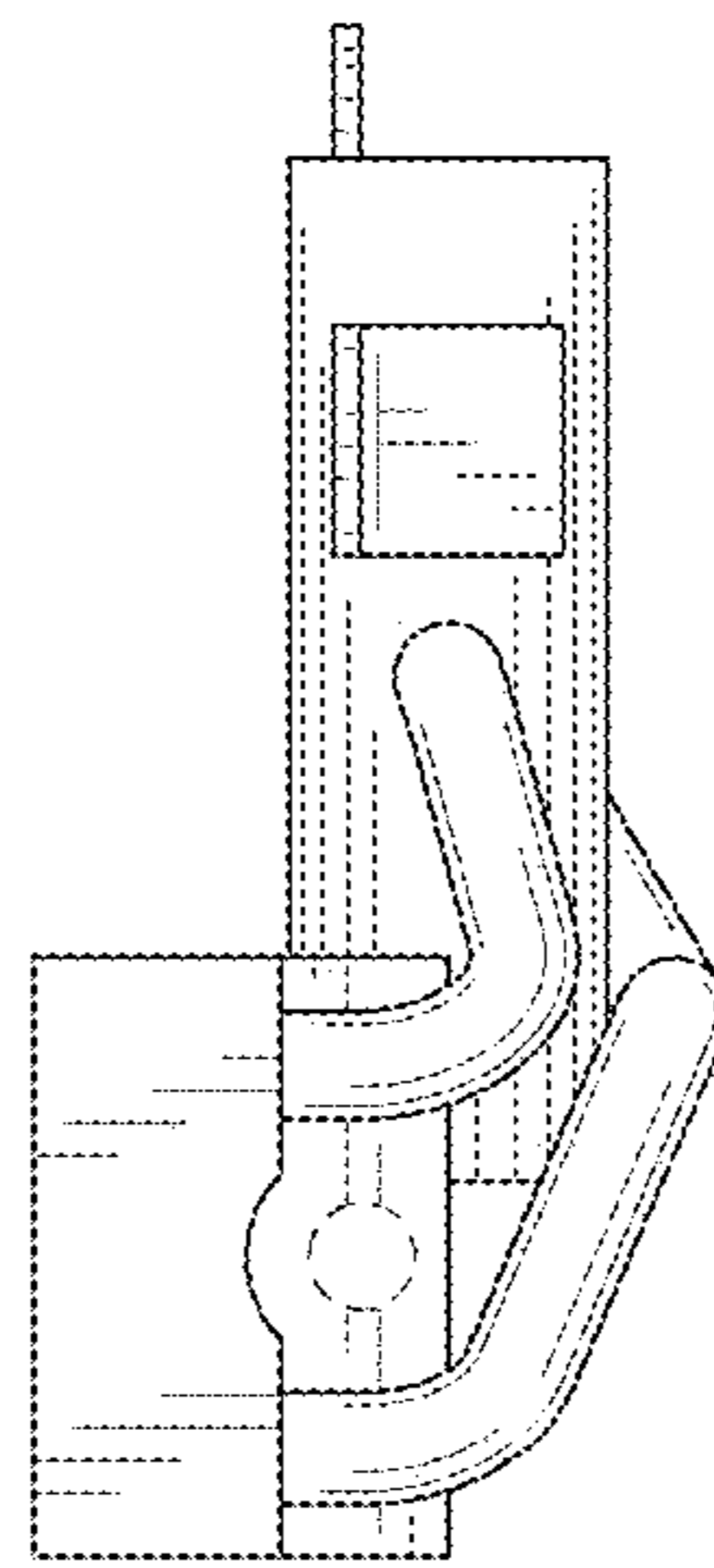


FIG. 5

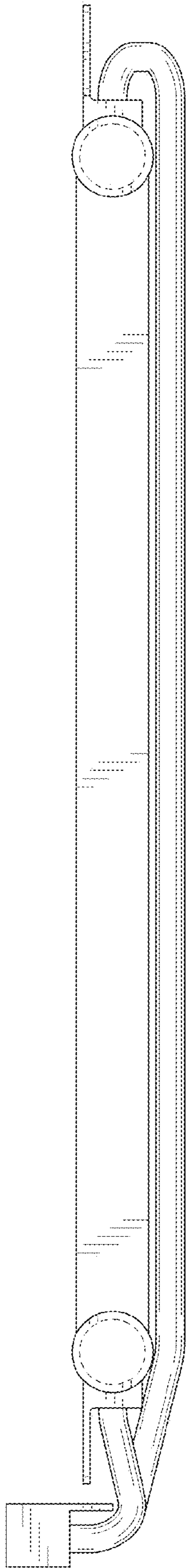


FIG. 6

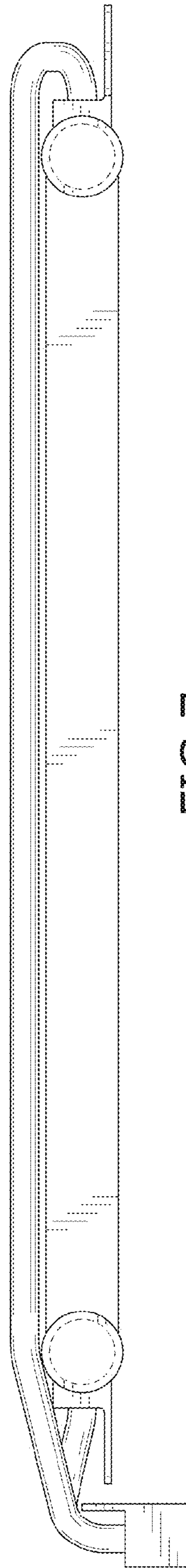


FIG. 7