



US00D957408S

(12) **United States Design Patent** (10) **Patent No.:** **US D957,408 S**  
**Eun** (45) **Date of Patent:** **\*\* Jul. 12, 2022**

(54) **CRADLE FOR POS TERMINAL**  
(71) Applicant: **POSBANK CO., LTD.**, Seoul (KR)  
(72) Inventor: **Dong-Uk Eun**, Gwangmyeong-si (KR)  
(73) Assignee: **POSBANK CO., LTD.**, Seoul (KR)  
(\*\*) Term: **15 Years**  
(21) Appl. No.: **29/768,480**  
(22) Filed: **Jan. 29, 2021**

(30) **Foreign Application Priority Data**  
Jul. 31, 2020 (KR) ..... 30-2020-0035758

(51) **LOC (13) Cl.** ..... **14-02**

(52) **U.S. Cl.**  
USPC ..... **D14/447**

(58) **Field of Classification Search**  
USPC ..... D14/371-382, 125-129, 336, 337,  
D14/447-452, 492, 335, 239, 457,  
D14/439-441, 432, 251-253; D8/349,  
D8/354, 363, 373, 376, 380; D21/333;  
D12/415; D3/218; 348/180, 184, 325,  
348/739, 825

CPC ..... G06F 3/0412; G06F 3/016; G06F 3/0488;  
G06F 3/011; G06F 3/038; G06F 3/03543;  
G06F 3/0338; G06F 3/0202; G06F  
3/0219; G06F 3/0213; G06F 1/1616;  
G06F 3/023; G06F 3/04883; G02F  
1/13338; G02F 1/1313; G02F 1/1333;  
G02F 1/135; G02F 1/132; G02F  
1/133308; G02F 1/134309; G02F  
1/13718; G09G 3/3648; G06K 15/1252;  
B41J 2/465; G03F 7/70291; G02B  
27/0172; G02B 5/30; G02B 2027/0118;  
G02B 27/0101; F16M 13/02; F16M  
13/00; F16M 11/10; F16M 11/04; F16M  
2200/08; F16M 11/2021; A47B 21/0314;

A47B 88/044; A47B 2021/0335; H02G  
3/126; F16B 47/00; F16B 47/006; A47G  
1/17; A47K 2201/00

See application file for complete search history.

(56) **References Cited**

U.S. PATENT DOCUMENTS

D687,484 S *	8/2013	Eun	.....	D18/4.6
D689,126 S *	9/2013	Eun	.....	D18/4.6
D755,796 S *	5/2016	Gibson	.....	D14/447
D791,861 S *	7/2017	Battle	.....	D18/4.5
D812,564 S *	3/2018	Feng	.....	D13/108
D815,594 S *	4/2018	Chen	.....	D13/108
D850,525 S *	6/2019	Eun	.....	D18/4.6
D857,791 S *	8/2019	Luo	.....	D18/4.1
D870,718 S *	12/2019	Peters	.....	D14/447
D872,171 S *	1/2020	Luo	.....	D18/4.1
D892,123 S *	8/2020	Campbell	.....	D14/434

(Continued)

*Primary Examiner* — Katie Jane Stofko

(74) *Attorney, Agent, or Firm* — Kile Park Reed & Houtteman PLLC

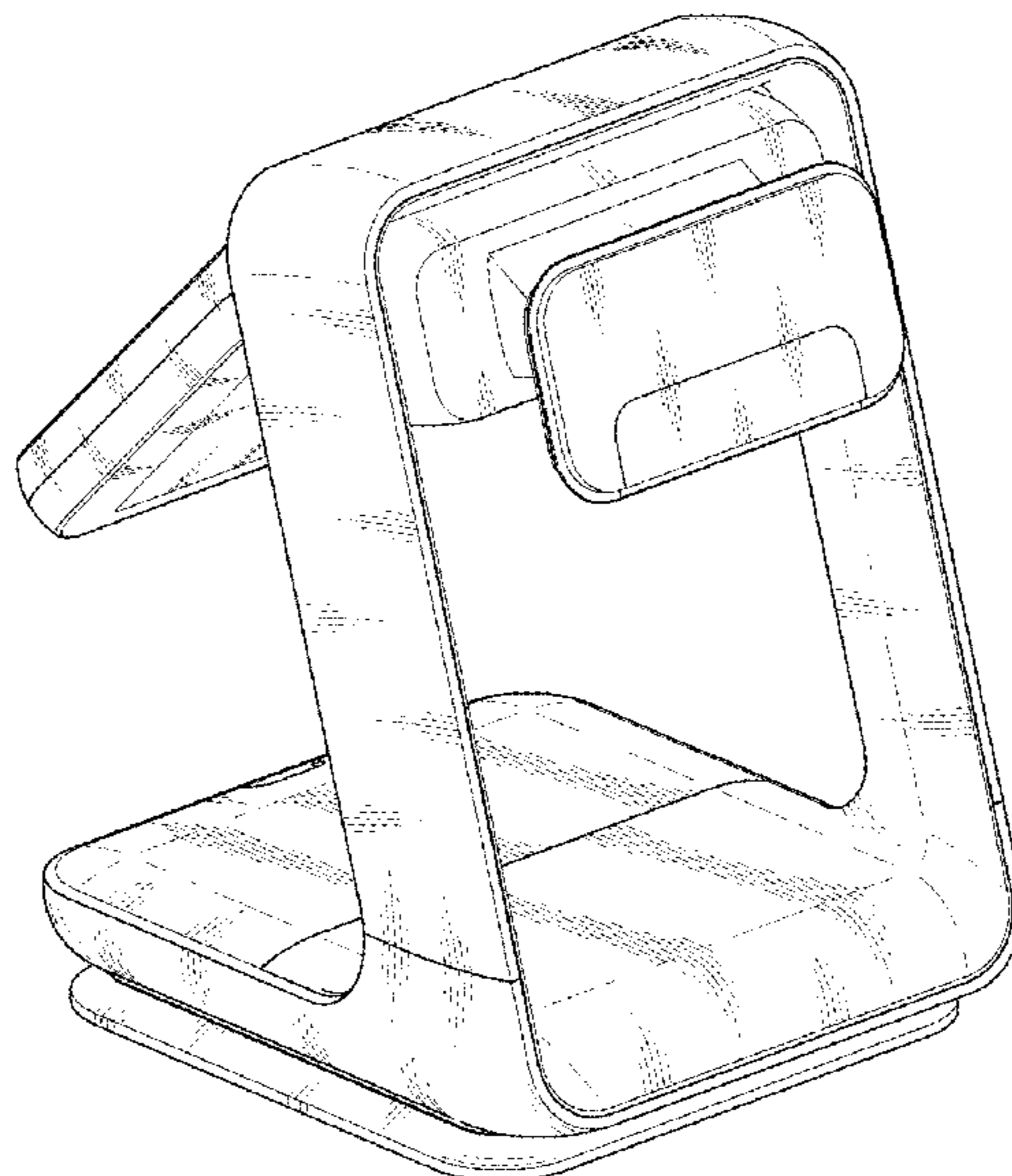
(57) **CLAIM**

I claim, the ornamental design for a cradle for POS terminal, as shown and described.

**DESCRIPTION**

FIG. 1 is a top, front and left side perspective view of a cradle for POS terminal, according to the present design; FIG. 2 is a front elevational view thereof; FIG. 3 is a rear elevational view thereof; FIG. 4 is a left-side elevational view thereof; FIG. 5 is a right-side elevational view thereof; FIG. 6 is a top elevational view thereof; FIG. 7 is a bottom elevational view thereof; FIG. 8 is a top, rear and right side perspective view thereof; and, FIG. 9 is a bottom, front and left side perspective view thereof.

**1 Claim, 9 Drawing Sheets**



(56)

**References Cited**

U.S. PATENT DOCUMENTS

D911,277 S \* 2/2021 Shang ..... D13/108  
D927,491 S \* 8/2021 Helman ..... D14/434

\* cited by examiner

FIG. 1

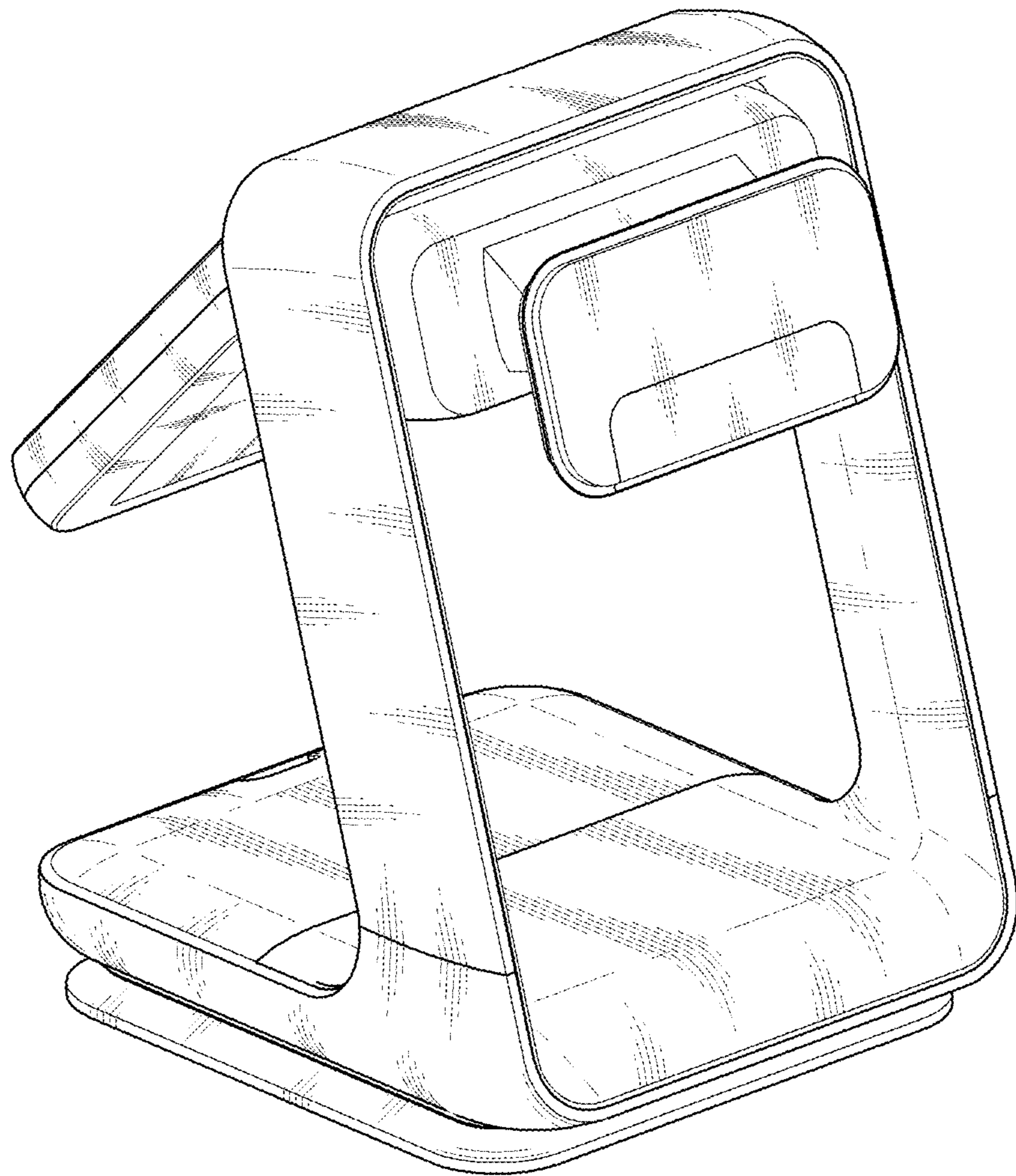


FIG. 2

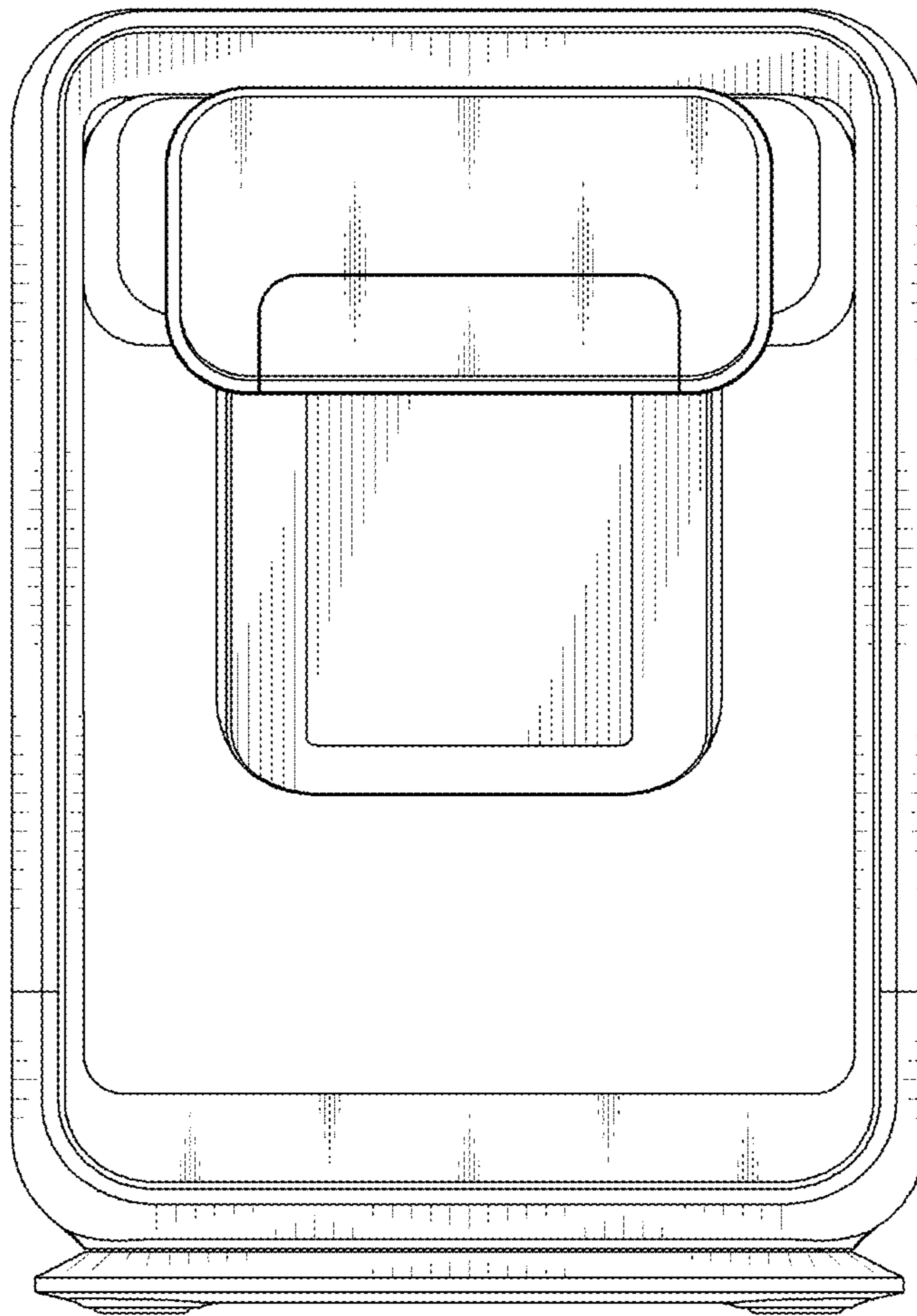


FIG. 3

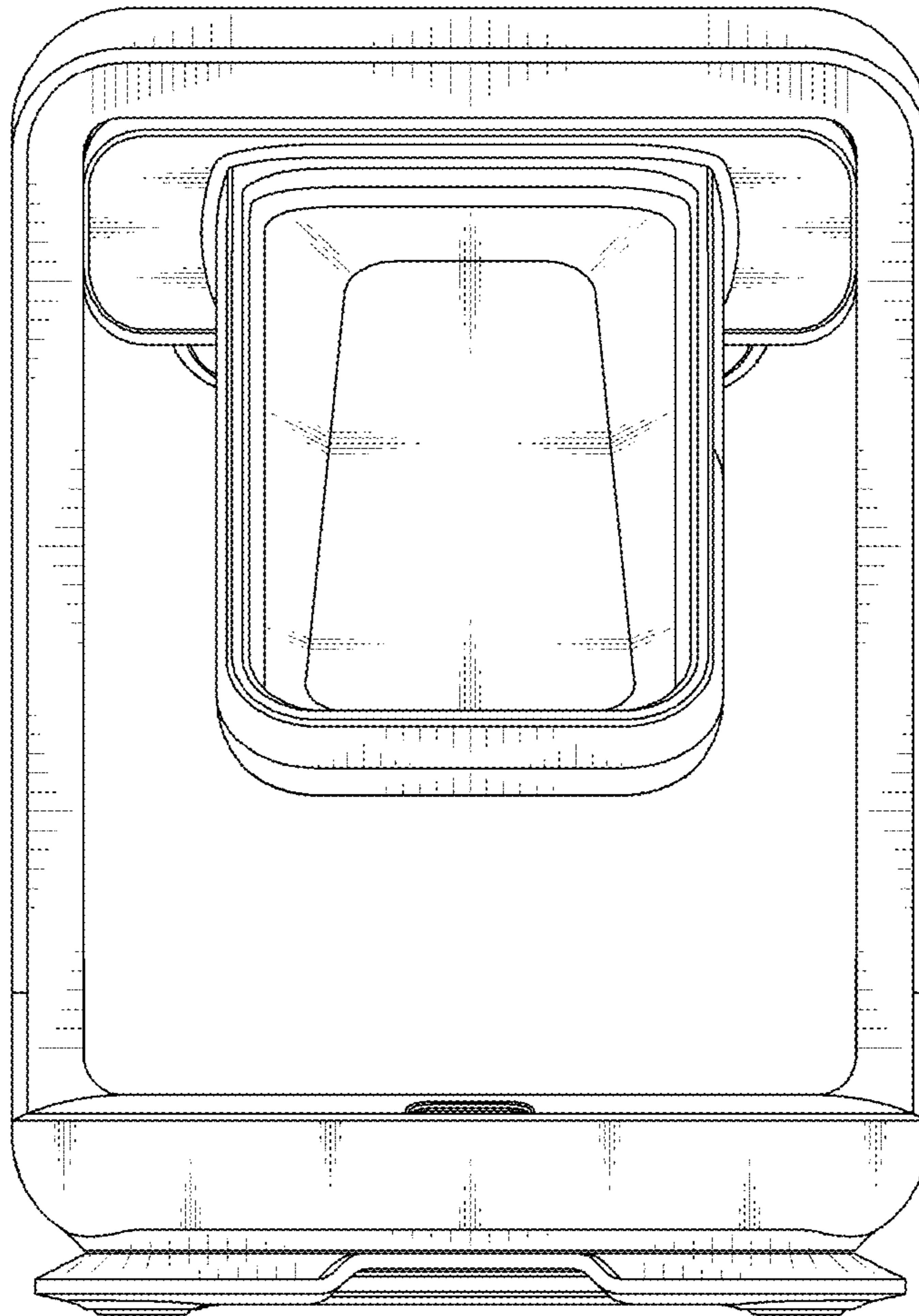


FIG. 4

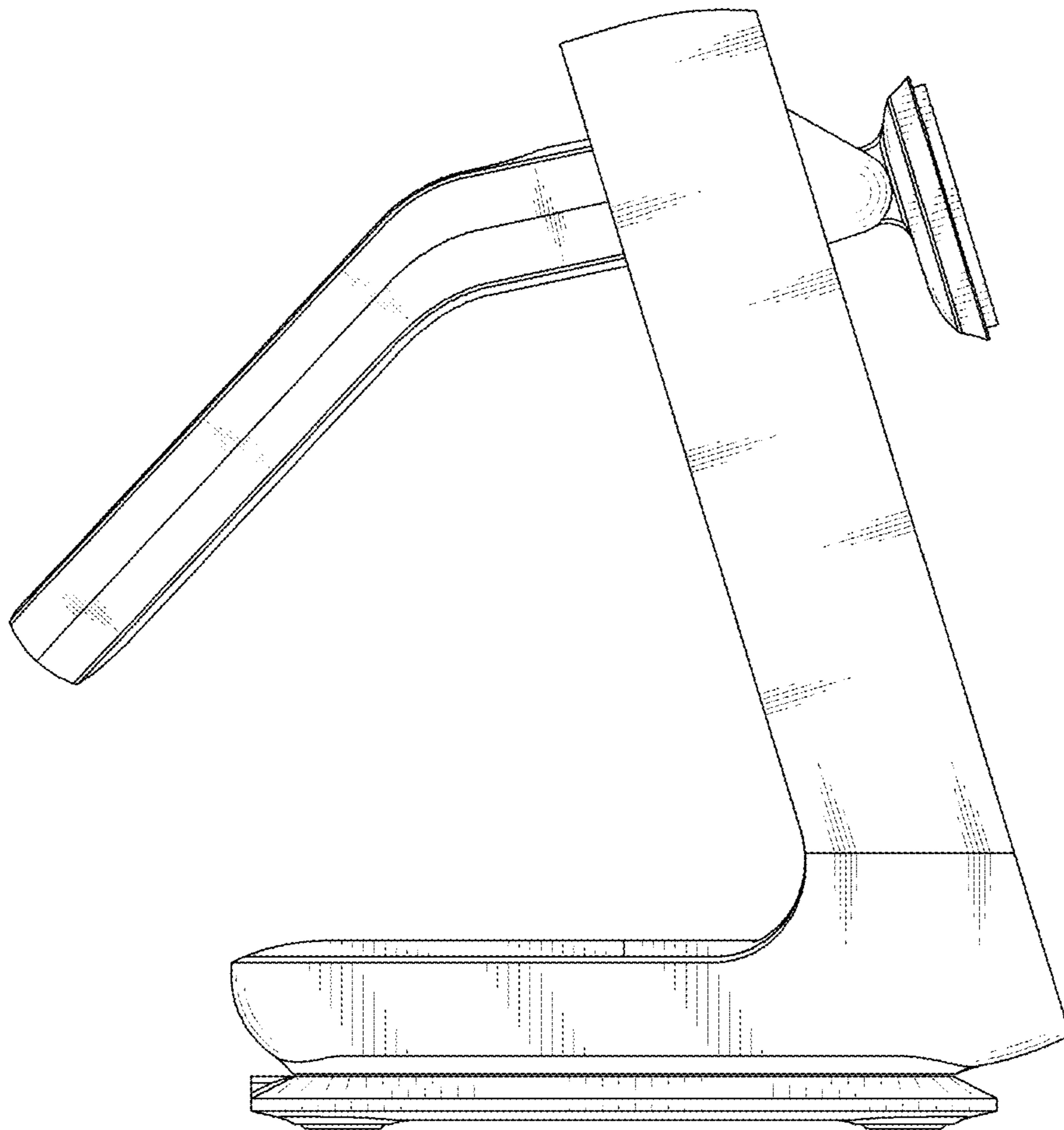


FIG. 5

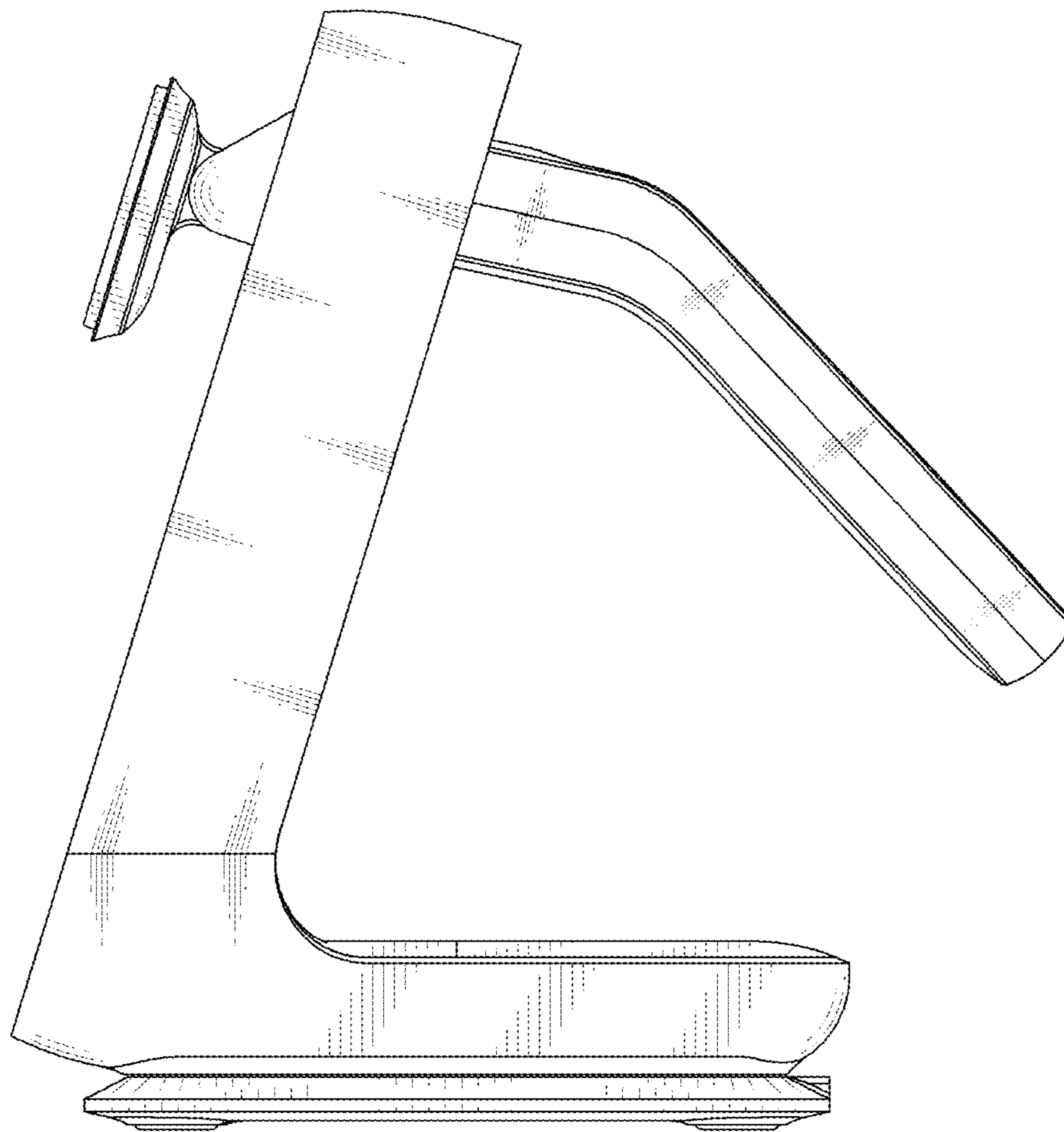


FIG. 6

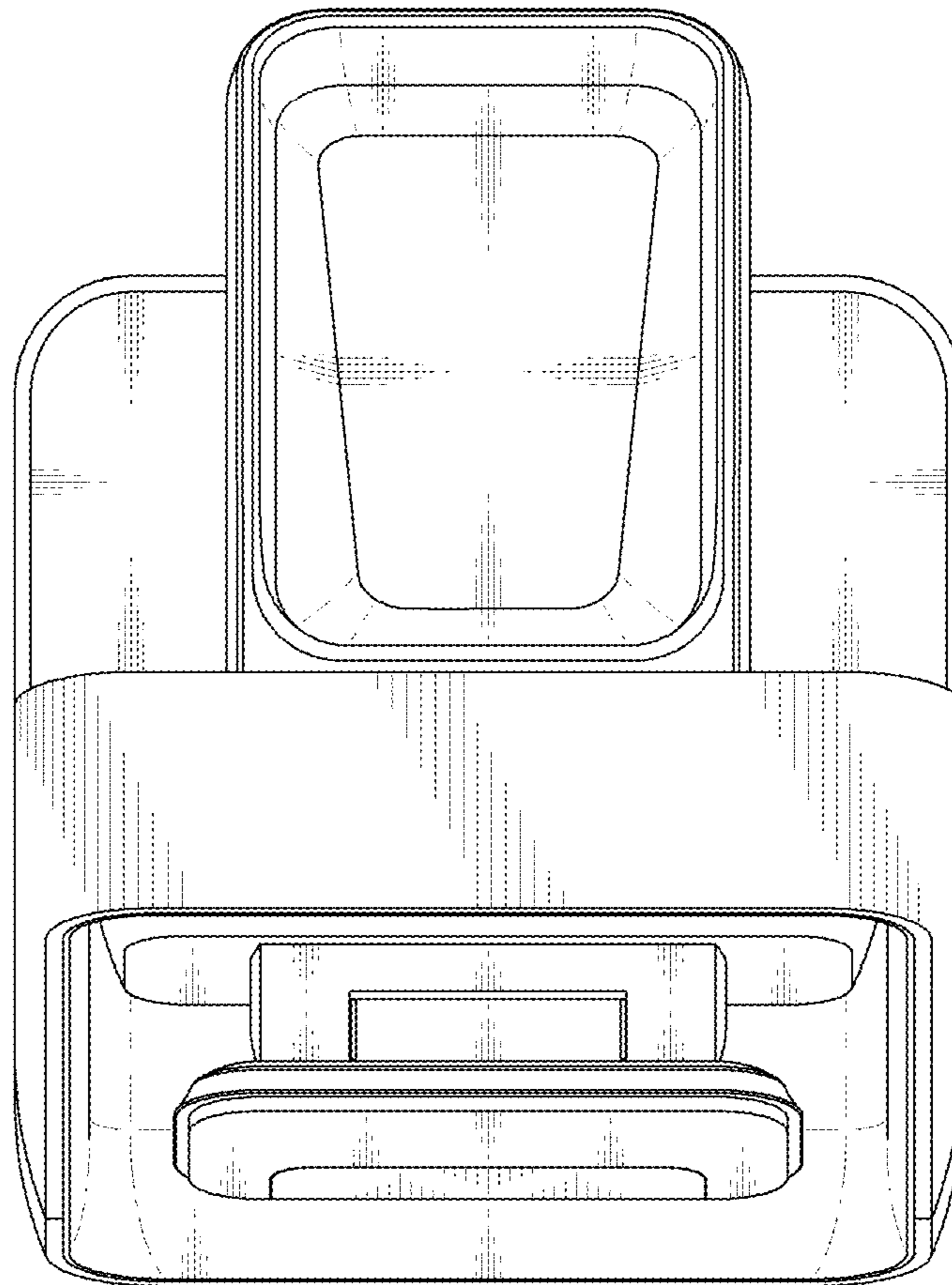




FIG. 7

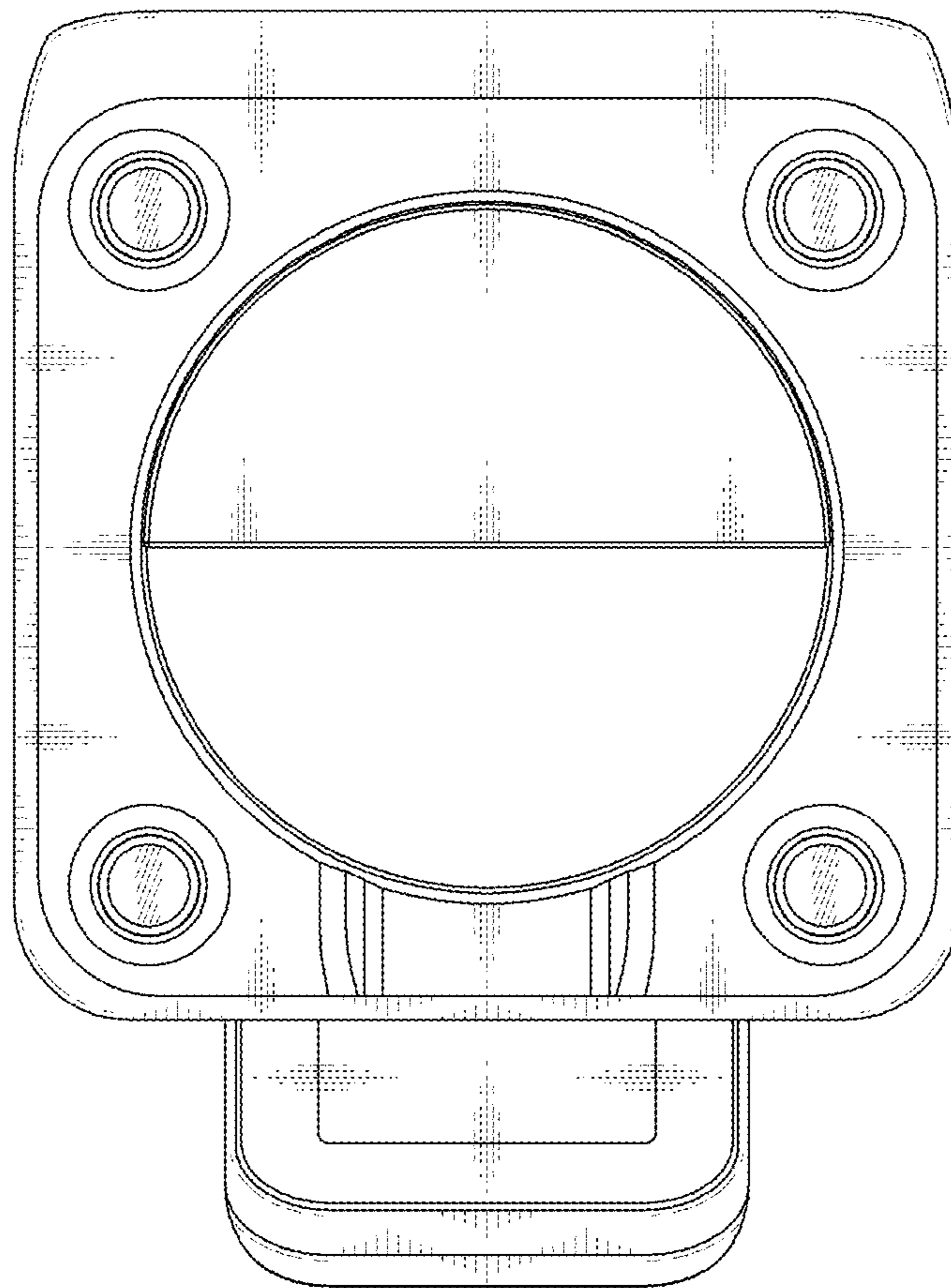


FIG. 8

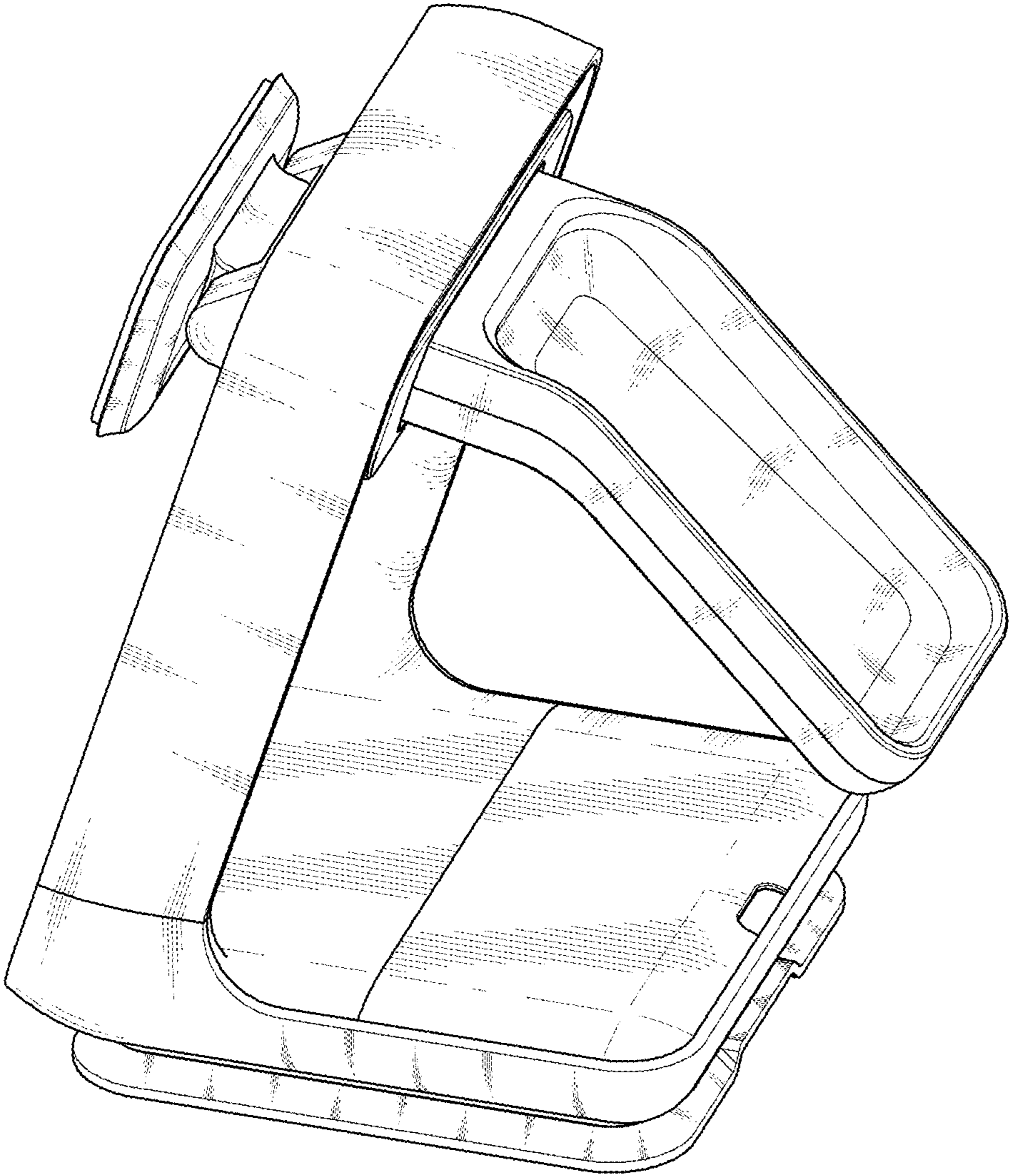


FIG. 9

