

US00D957407S

(12) **United States Design Patent** (10) **Patent No.:** **US D957,407 S**  
**Grulkowski et al.** (45) **Date of Patent:** **\*\* Jul. 12, 2022**

(54) **CRADLE MOUNT FOR SMART DEVICE**

(71) Applicant: **Legrand AV Inc.**, Eden Prairie, MN (US)

(72) Inventors: **Aaron Grulkowski**, Eden Prairie, MN (US); **Colin Downer-Carlson**, Eden Prairie, MN (US); **Mark Plummer**, Eden Prairie, MN (US); **Mark Trebicki**, Eden Prairie, MN (US); **Thomas Mitchell**, Eden Prairie, MN (US); **Wyatt Grunerud**, Eden Prairie, MN (US)

(73) Assignee: **Legrand AV Inc.**, Eden Prairie, MN (US)

(\*\*) Term: **15 Years**

(21) Appl. No.: **29/739,745**

(22) Filed: **Jun. 29, 2020**

(51) **LOC (13) Cl.** ..... **08-07**

(52) **U.S. Cl.**  
USPC ..... **D14/447**

(58) **Field of Classification Search**  
USPC ..... D14/447, 432, 434, 439, 440, 451, 452, D14/457, 239, 253; D8/363, 373, 380; D6/406.3, 406.4, 406.5, 406.6; D12/415; D13/108  
CPC ..... A47B 21/04; A47B 2097/006; A47B 2097/005; A47B 2023/049; A45C 2011/002; A45C 2011/003; F16M 2200/00; F16M 13/00

See application file for complete search history.

(56) **References Cited**

**U.S. PATENT DOCUMENTS**

D586,348 S \* 2/2009 Leung ..... D12/415  
D857,704 S \* 8/2019 Verschoor ..... D14/447

D862,454 S \* 10/2019 Chun ..... D14/253  
D874,455 S \* 2/2020 Akagawa ..... D14/253  
D877,637 S \* 3/2020 Haag ..... D10/98  
D881,896 S \* 4/2020 Burns ..... D14/447  
D881,899 S \* 4/2020 Li ..... D14/447  
D906,343 S \* 12/2020 Li ..... D14/447  
D915,949 S \* 4/2021 Mendez ..... D12/114

\* cited by examiner

*Primary Examiner* — Angela J Lee

(74) *Attorney, Agent, or Firm* — Bradley J. Thorson

(57) **CLAIM**

The ornamental design for a cradle mount for smart device, as shown and described.

**DESCRIPTION**

FIG. 1 is a front isometric view of the cradle mount for smart device holding a smart device;

FIG. 2 is a front isometric view of the cradle mount for smart device;

FIG. 3 is a front elevation view of the cradle mount for smart device

FIG. 4 is a left elevation view of the cradle mount for smart device;

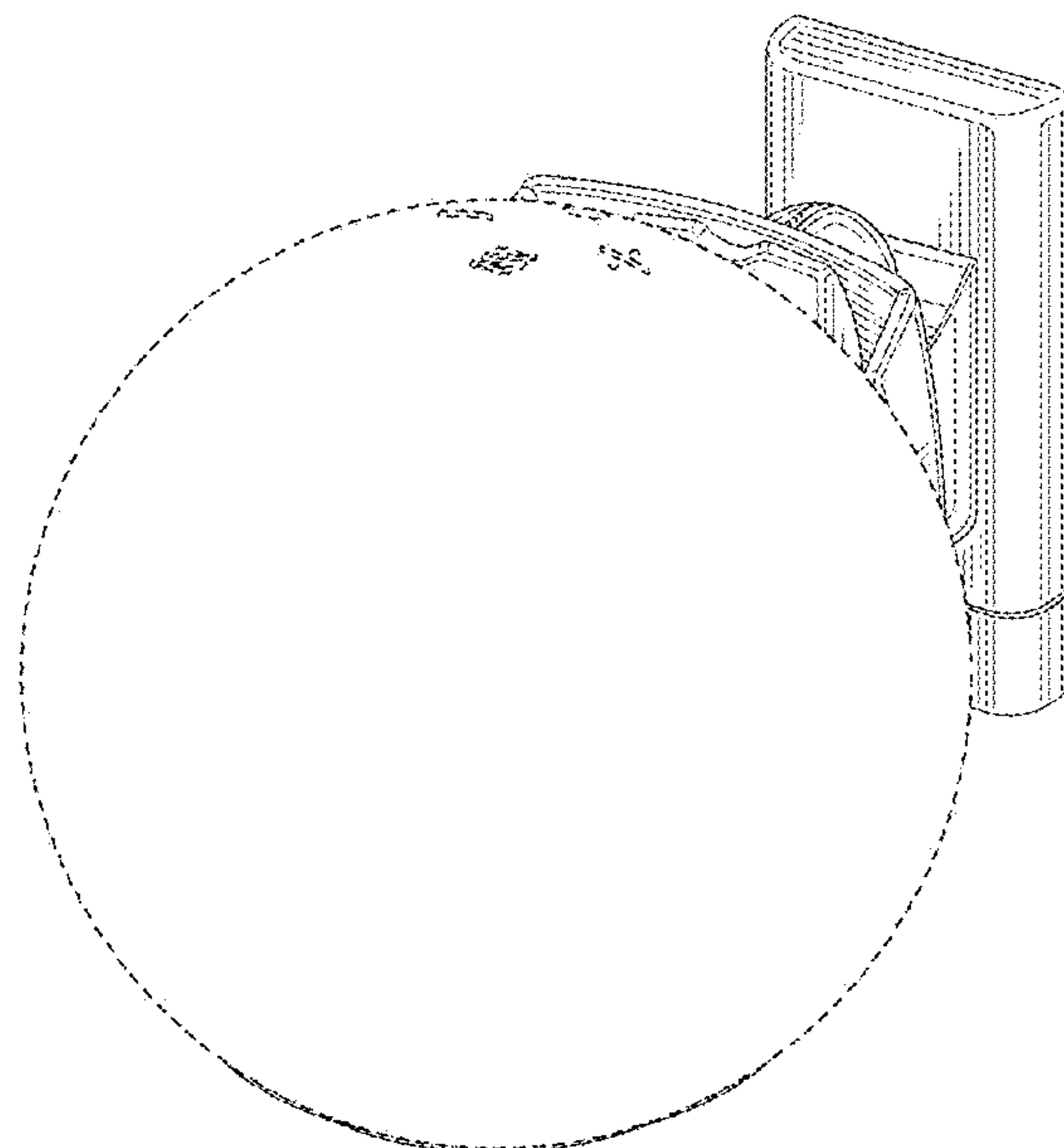
FIG. 5 is a right elevation view of the cradle mount for smart device;

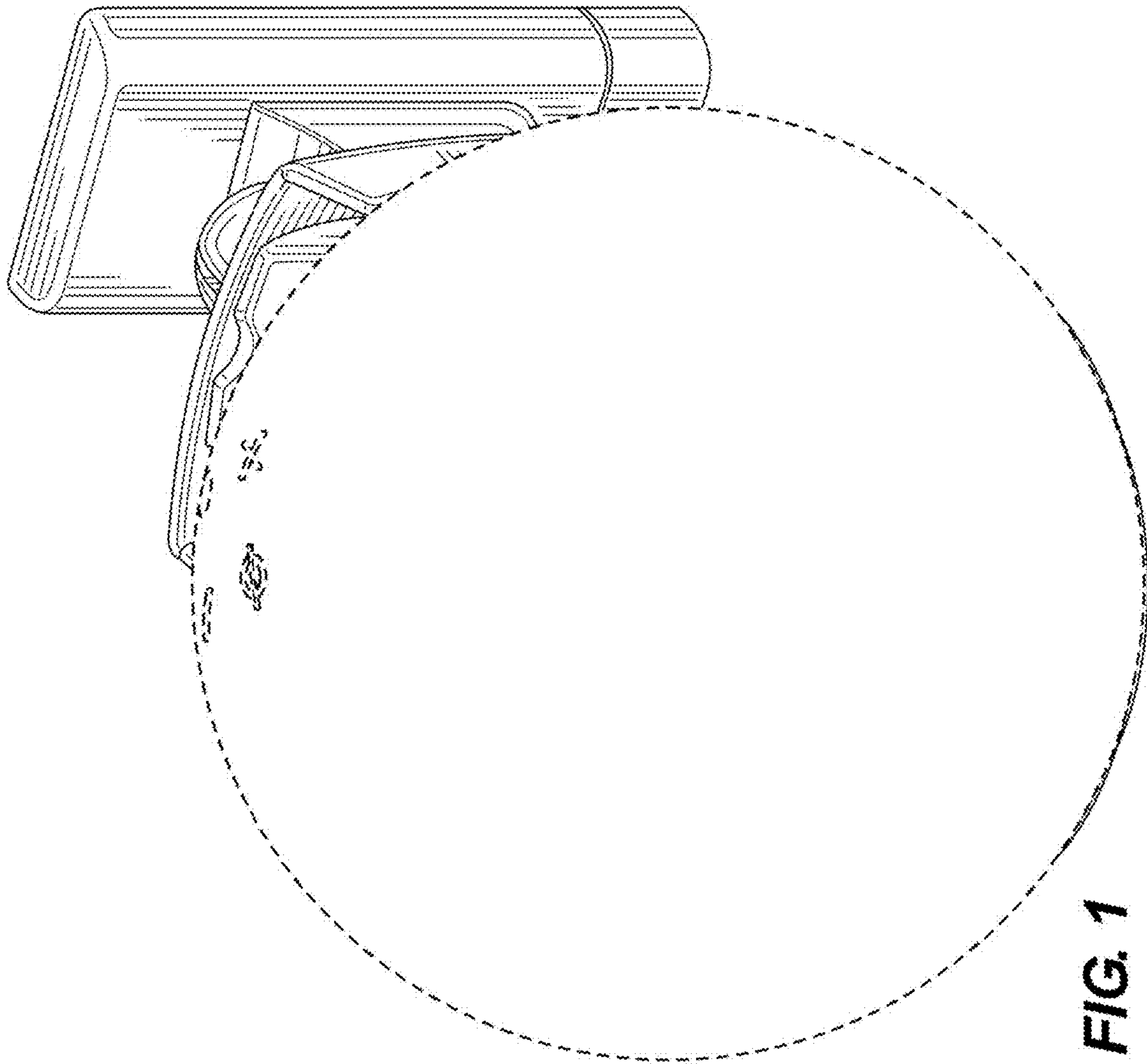
FIG. 6 is a top plan view of the cradle mount for smart device; and,

FIG. 7 is a bottom plan view of the cradle mount for smart device.

The portions of the figures rendered in broken lines form no part of the claimed invention. The broken lines shown in the drawings represent portions of the cradle mount for smart device that form no part of the claimed design.

**1 Claim, 7 Drawing Sheets**





**FIG. 1**

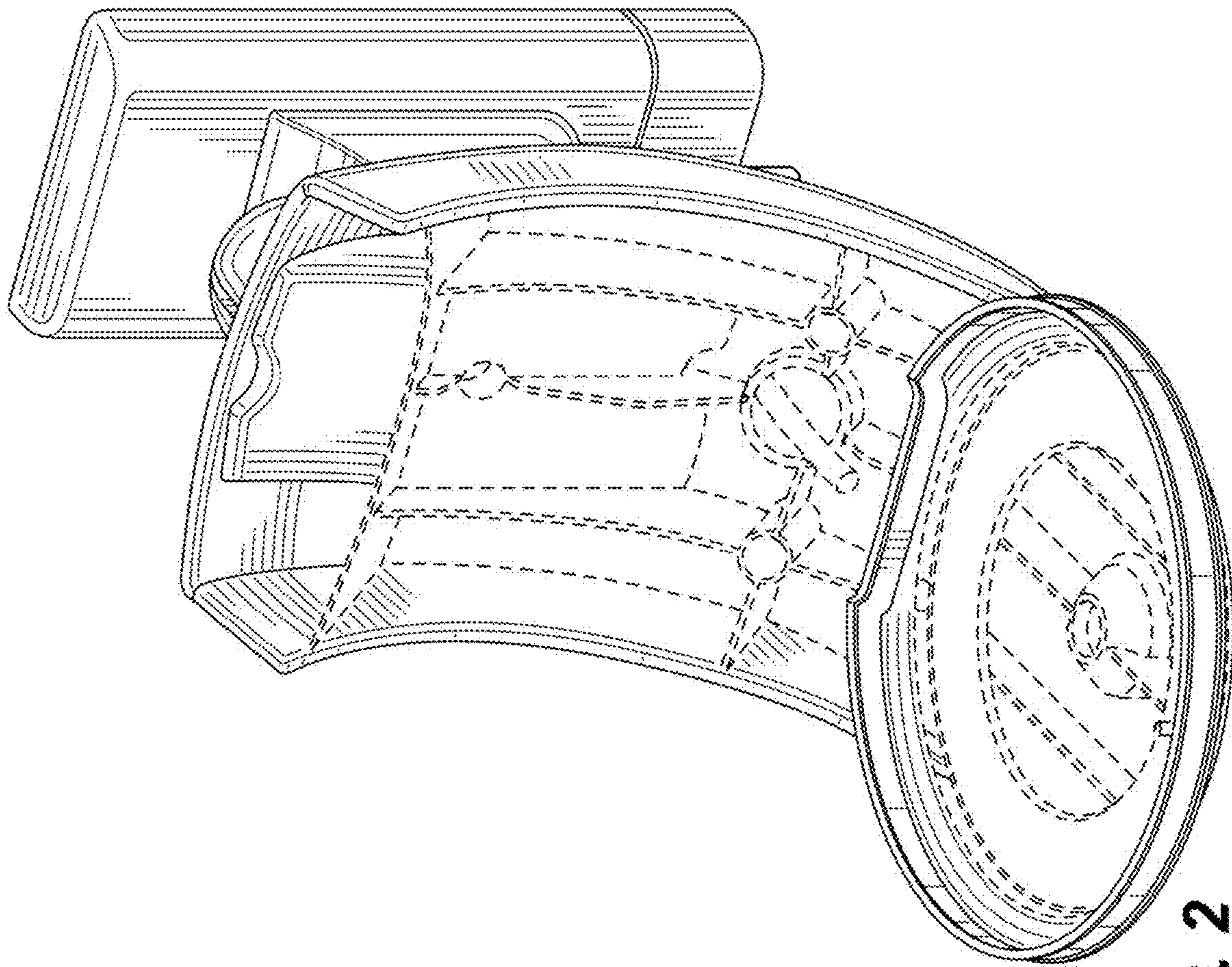
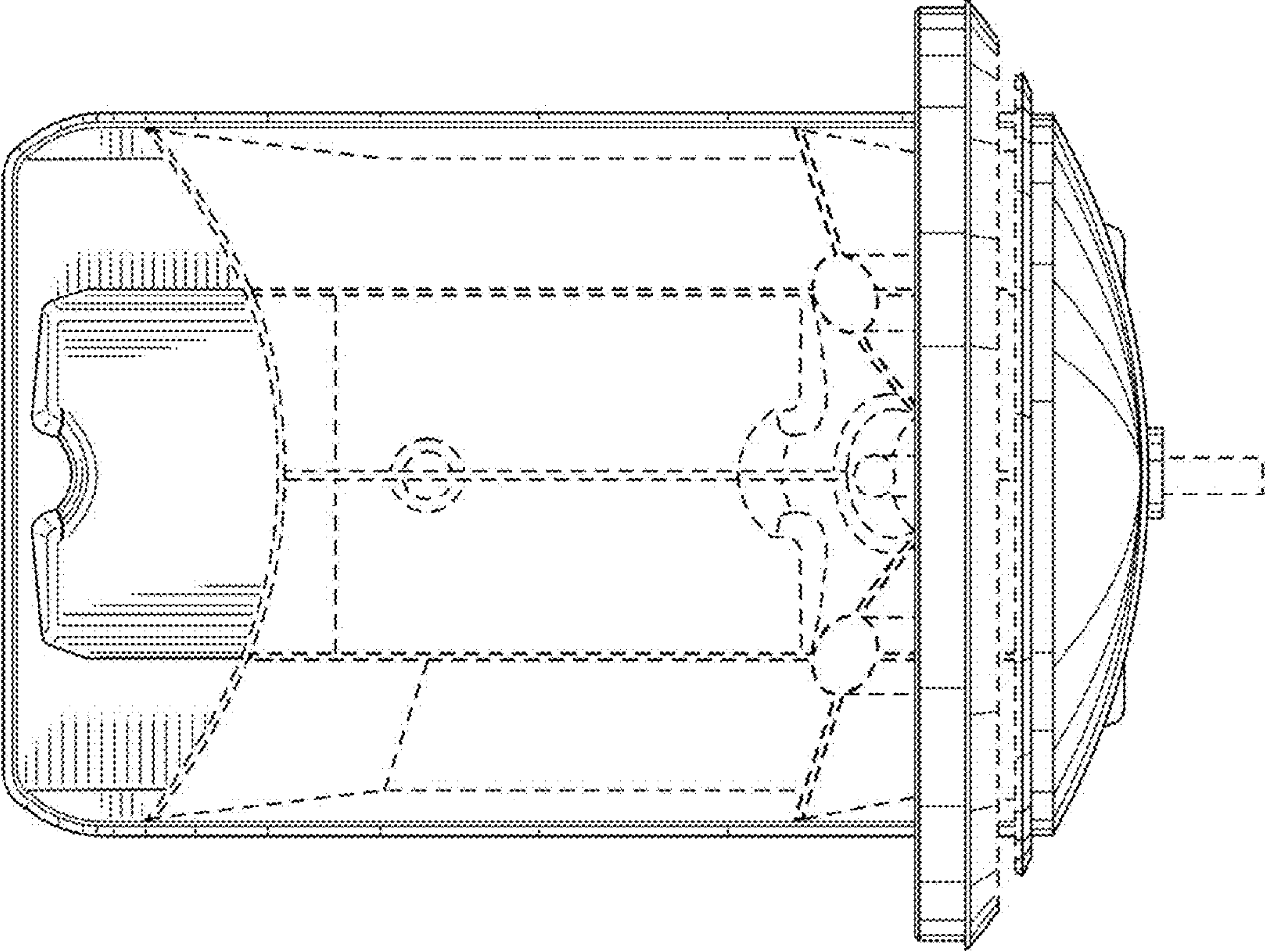


FIG. 2





**FIG. 3**

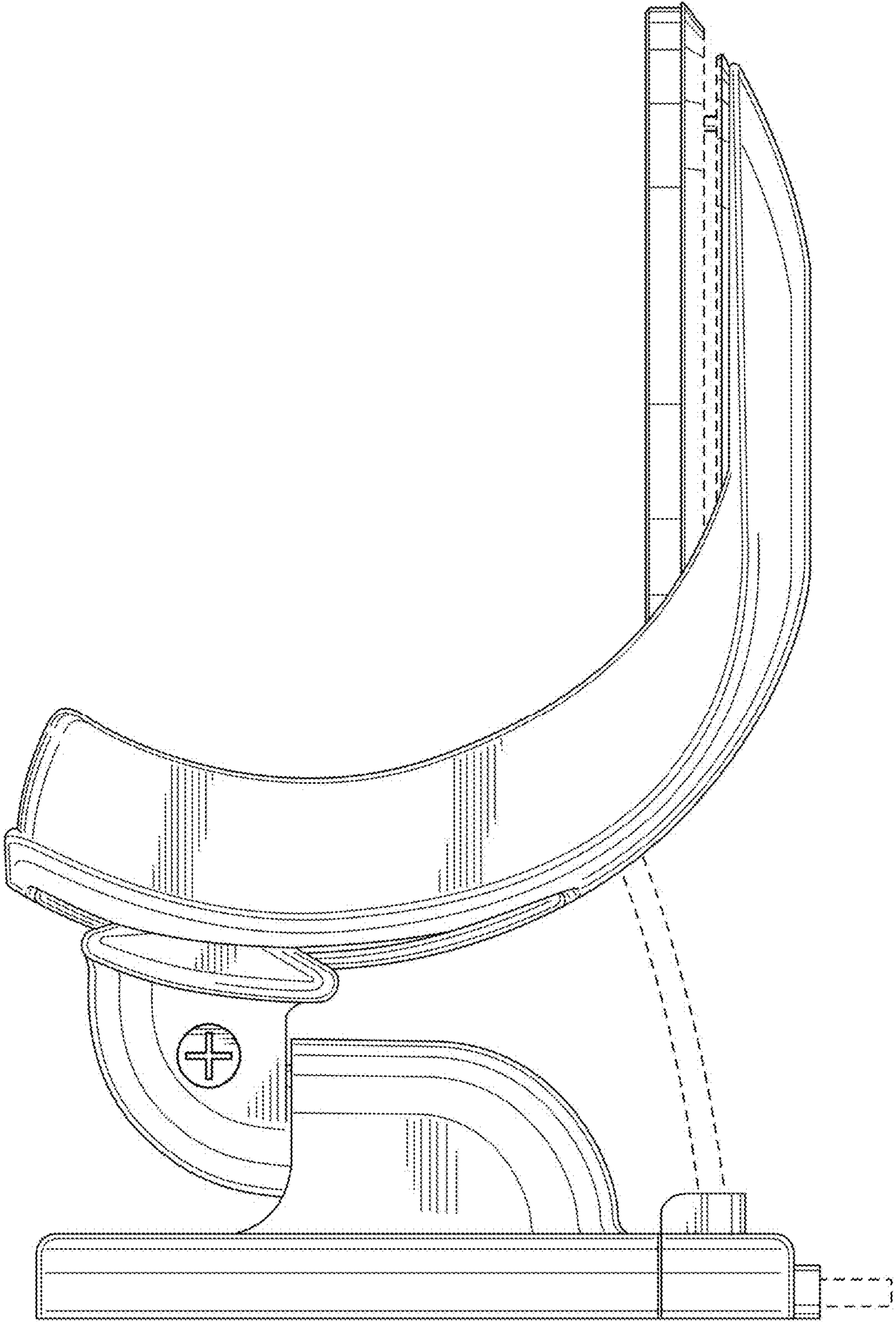


FIG. 4

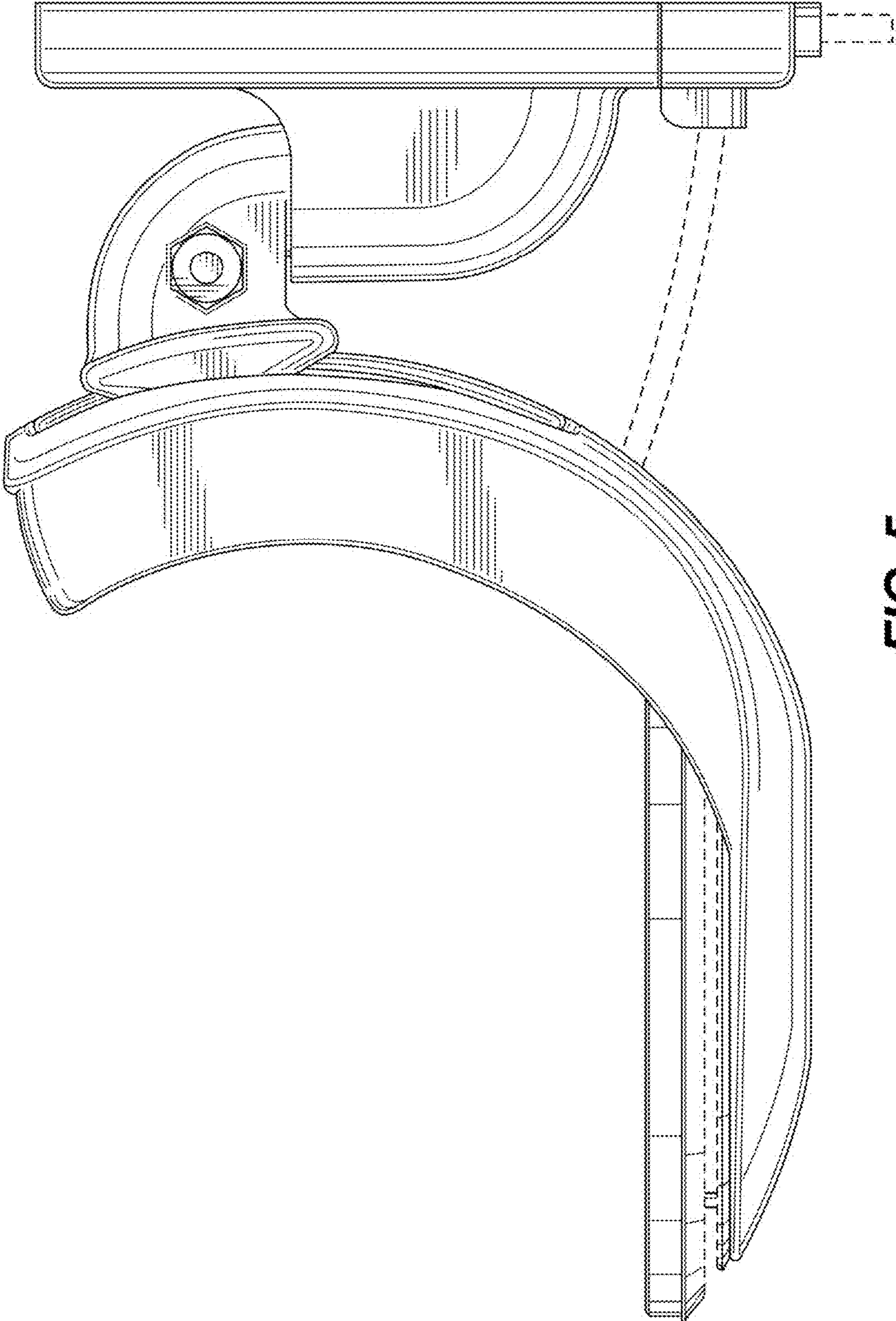
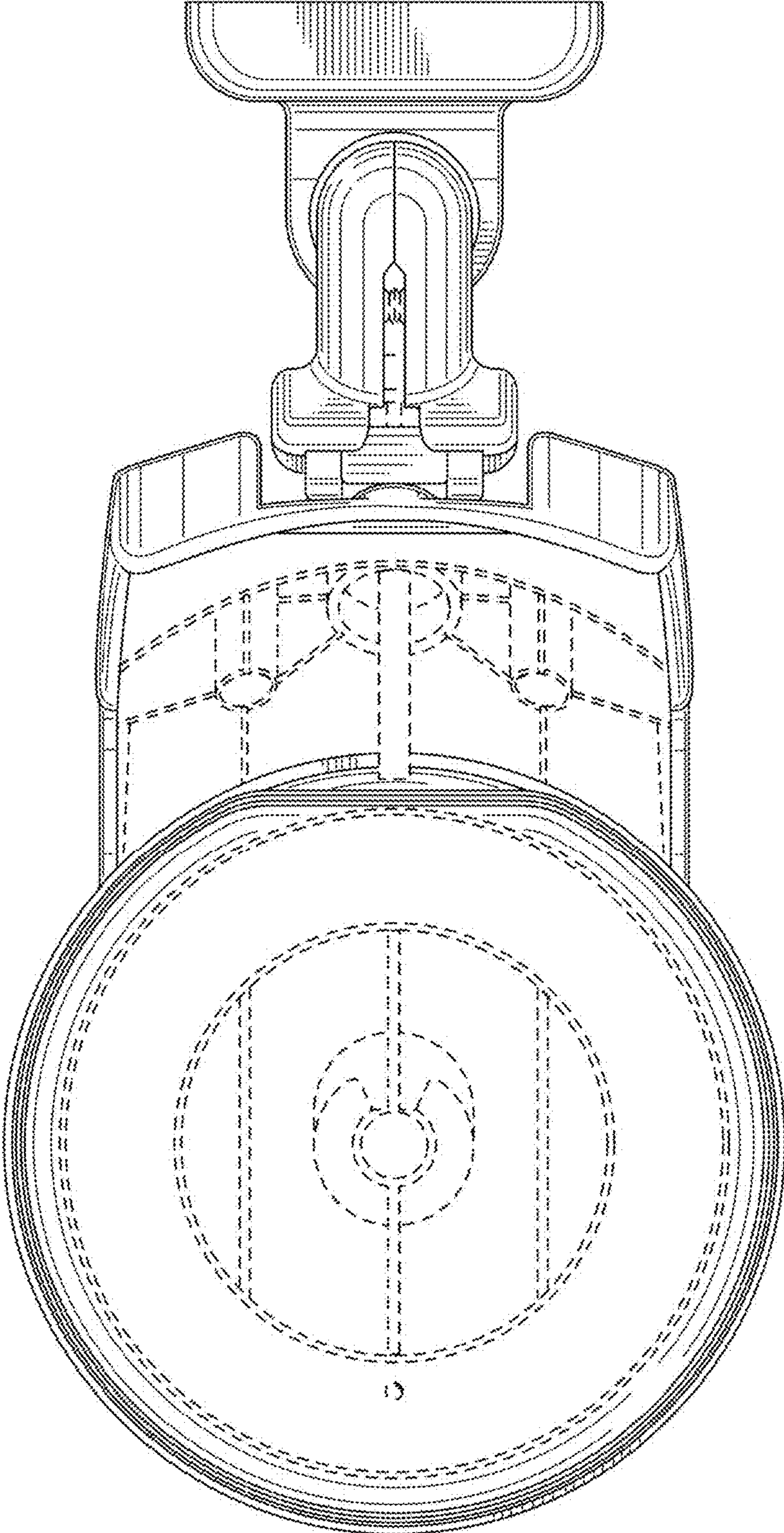
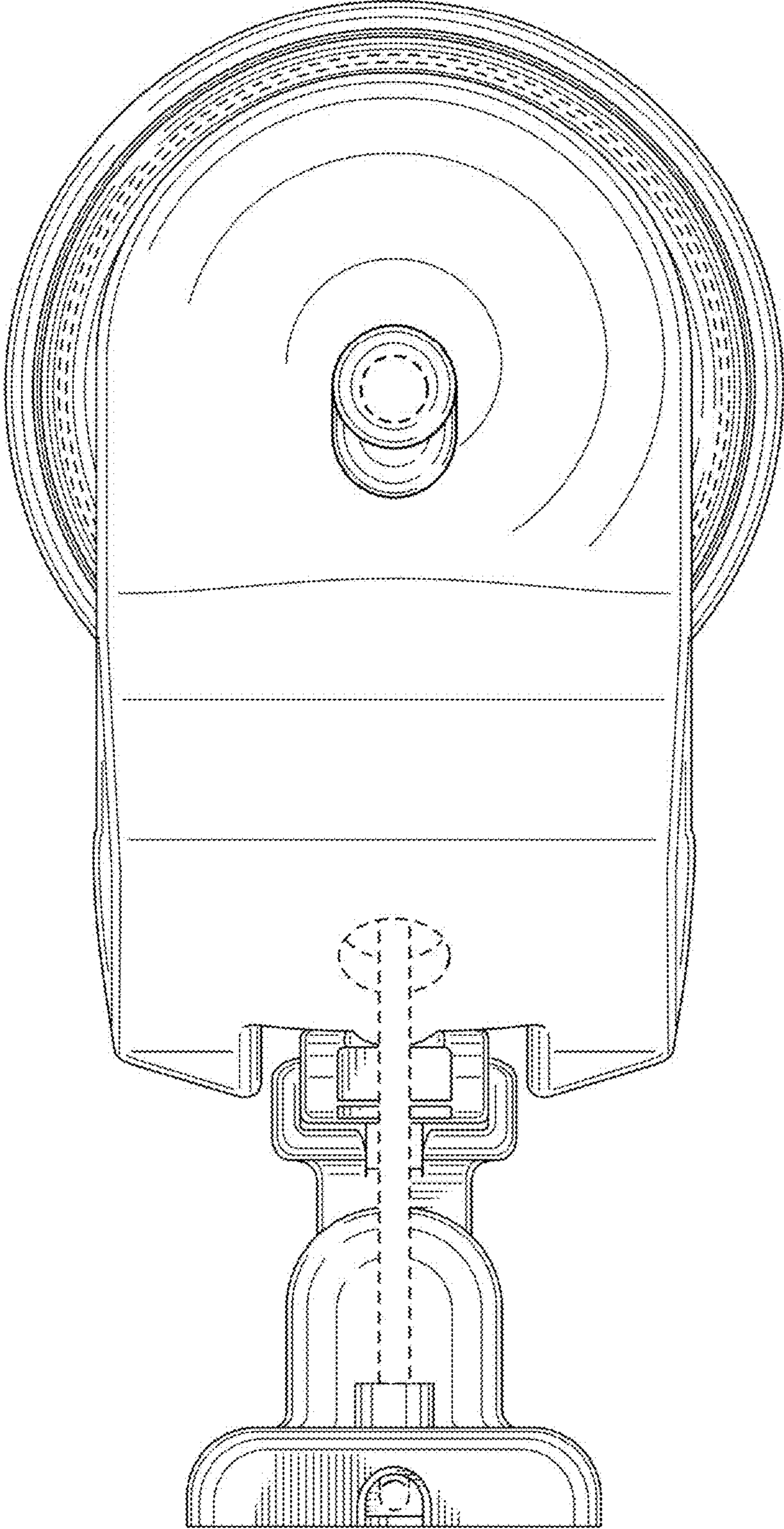


FIG. 5





**FIG. 6**



**FIG. 7**