



US00D957404S

(12) **United States Design Patent** (10) **Patent No.:** **US D957,404 S**
Liu et al. (45) **Date of Patent:** **** Jul. 12, 2022**

(54) **DIGITAL WALLET CASE**
(71) Applicant: **Cobo Global Limited**, Grand Cayman (KY)
(72) Inventors: **Lixin Liu**, Shanghai (CN); **Xiejun Tan**, Shanghai (CN); **Qiaoping Luo**, Shanghai (CN)
(73) Assignee: **COBO GLOBAL LIMITED**, Grand Cayman (KY)
(**) Term: **15 Years**
(21) Appl. No.: **29/662,907**
(22) Filed: **Sep. 10, 2018**
(51) **LOC (13) Cl.** **14-02**
(52) **U.S. Cl.**
USPC **D14/440**
(58) **Field of Classification Search**
USPC D14/138 AA, 138 AB, 138 AC, 138 AD, D14/138 C, 138 G, 248, 250, 314, D14/315-318, 341-347, 371, 374, 440; D10/50, 65, 104.1; D19/26, 59-60, 113; D21/324, 329-330, 332; D3/212, 217, D3/218, 247
CPC ... H04M 1/0202; H04M 1/0266; H04M 1/725
See application file for complete search history.

D906,235 S * 12/2020 Liu D13/103
D907,636 S * 1/2021 Chen D14/433
D936,648 S * 11/2021 Liu D14/341

FOREIGN PATENT DOCUMENTS

CN 305492131 * 12/2019
EM 006279675-0001 * 3/2019
GB 9006279675-0001 * 3/2019

OTHER PUBLICATIONS

Cobo Vault Pro (Keystone Pro)—Cryptocurrency Hardware Wallet, date first available: Apr. 13, 2020, [retrieved Jul. 15, 2021], Retrieved from Internet, URL: <<https://www.amazon.com/Cobo-Vault-Pro-Cryptocurrency-self-Destruct/dp/B08726FFP4>> (Year: 2020).*

(Continued)

Primary Examiner — Barbara Fox
Assistant Examiner — Aram Kwon
(74) *Attorney, Agent, or Firm* — Fenwick & West LLP

(57) **CLAIM**

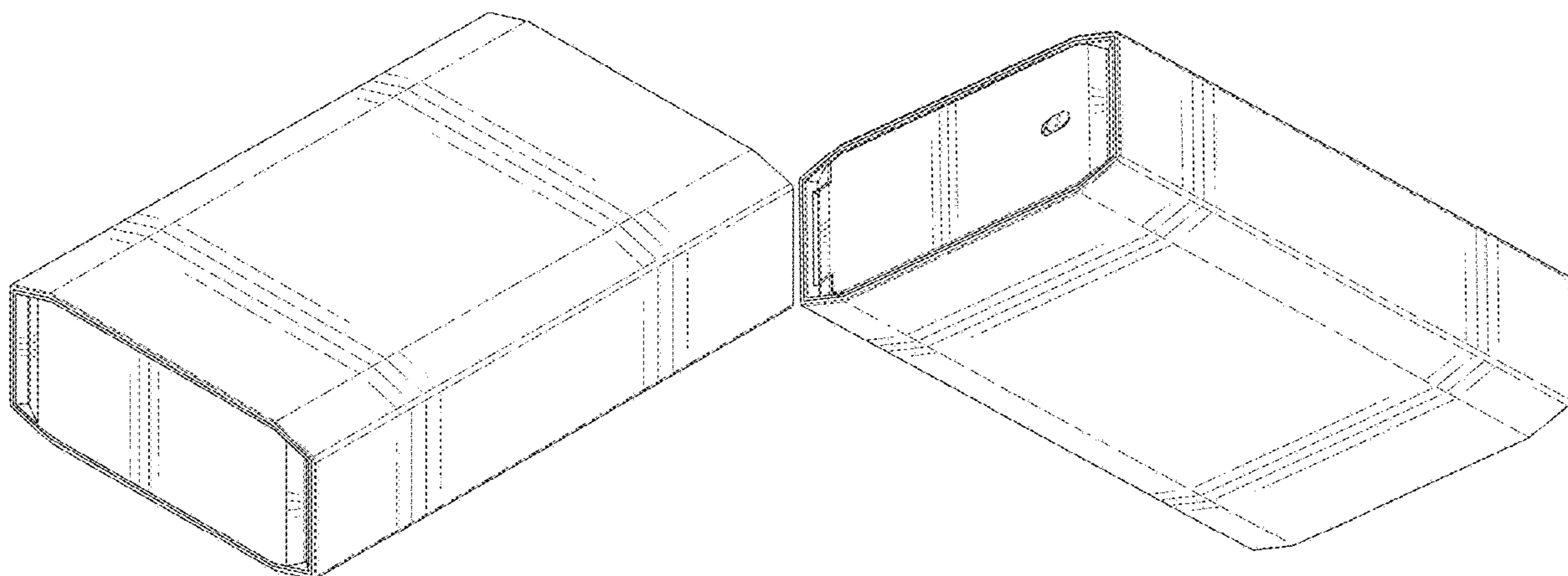
The ornamental design for a digital wallet case, as shown and described.

DESCRIPTION

FIG. 1 is a front, bottom, and right side perspective view of a digital wallet case;
FIG. 2 is a rear, top, and left side perspective view thereof;
FIG. 3 is a bottom elevational view thereof;
FIG. 4 is a top elevational view thereof;
FIG. 5 is a left side elevational view thereof;
FIG. 6 is a right side elevational view thereof;
FIG. 7 is a front plan view thereof; and,
FIG. 8 is a rear plan view thereof.

1 Claim, 8 Drawing Sheets

(56) **References Cited**
U.S. PATENT DOCUMENTS
D332,776 S * 1/1993 Kelly D14/346
D542,788 S * 5/2007 Gutmann D14/480.5
D587,266 S * 2/2009 Deguchi D14/480.7
D632,076 S * 2/2011 Westrick D3/247
D769,241 S * 10/2016 Mazz D14/341
D812,048 S * 3/2018 Mazz D14/341
D878,383 S * 3/2020 McEuen D14/480.5



(56)

References Cited

OTHER PUBLICATIONS

SecuX W20—Most Secure Crypto Hardware Wallet, date first available: Apr. 8, 2019, [retrieved Jul. 15, 2021], Retrieved from Internet, URL: <https://www.amazon.com/dp/B07Q19WN6G/ref=sspa_dk_detail_6?psc=1&pd_rd_i=B07Q19WN6G&pd_rd_w=00nOD&pf_rd_p=eff89026-4a7e-4247-%E2%80%A61/11> (Year: 2019).*

Cobo Raises \$13M in Series A Funding Round, Oct. 18, 2018, [retrieved Jul. 15, 2021], Retrieved from Internet, URL: <<https://news.bitcoin.com/chinese-cryptocurrency-wallet-cobo-raises-13-million-in-series-a-funding/>> (Year: 2018).*

Darkflash ATX desktop computer case, date not available, [retrieved Jul. 16, 2021], Retrieved from Internet, URL: <<https://www.aliexpress.com/item/4001223580527.html>> (Year: 2021).*

Pure Base 500 Mid-Tower Case, review date: Feb. 25, 2020, [retrieved Jul. 16, 2021], Retrieved from Internet, UR: <https://www.bhphotovideo.com/c/product/1508506-REG/be_quiet_bg035_pure_base_500_mid_tower.html/reviews?ap=y&ap=y&smp=y&smp=y&lsft=BI%3A514&gclid=EA1aIQobChMlpKjdr_Pn8QIVzgalCR34UAmzEAKYDiABEgIJ>.*

Cube toolless gaming computer case, date not available, [retrieved Jul. 6, 2021], Retrieved from Internet, URL: <https://www.alibaba.com/product-detail/cube-toolless-gaming-computer-case-and_60376228364.html> (Year: 2021).*

* cited by examiner

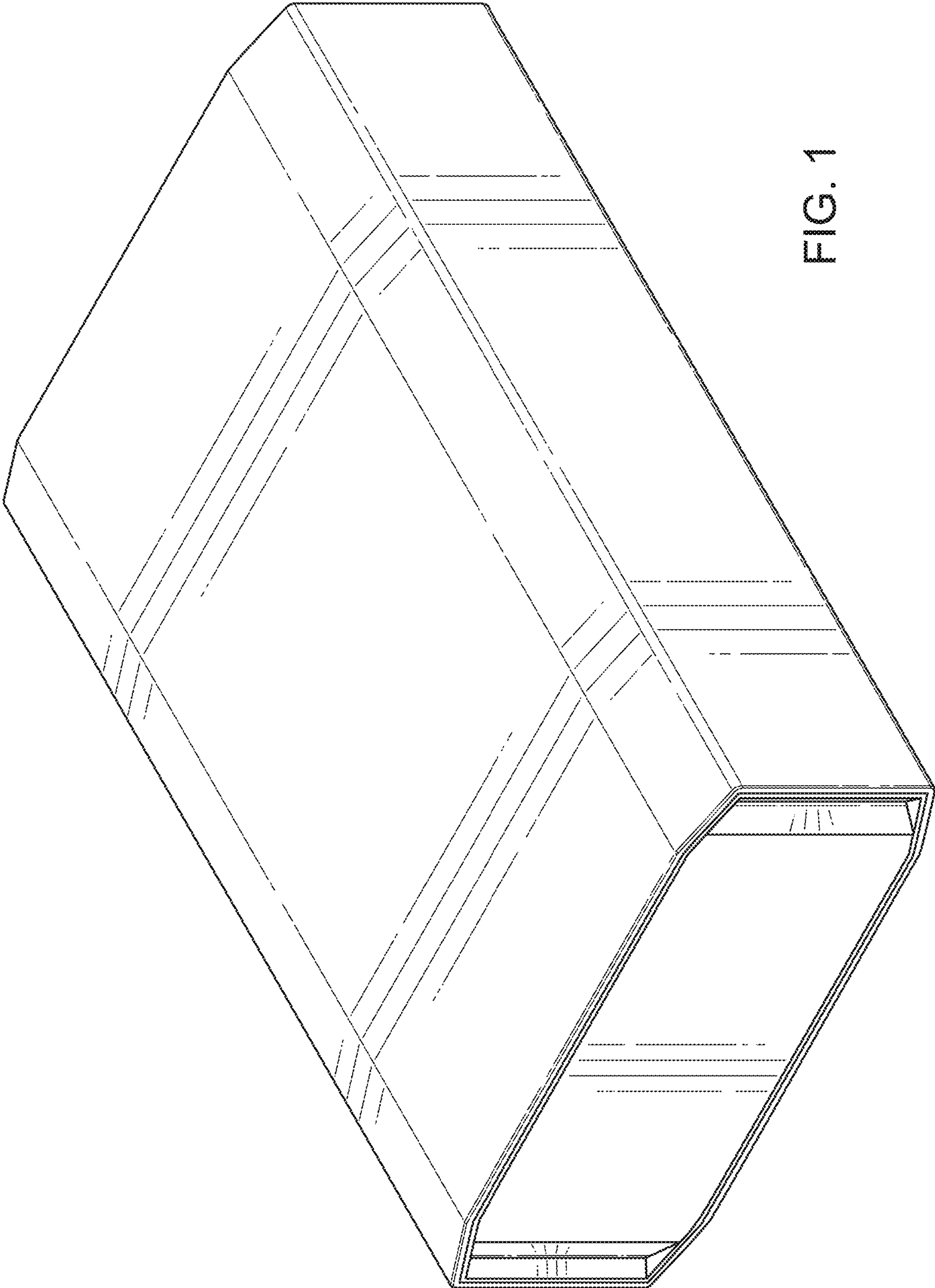


FIG. 1

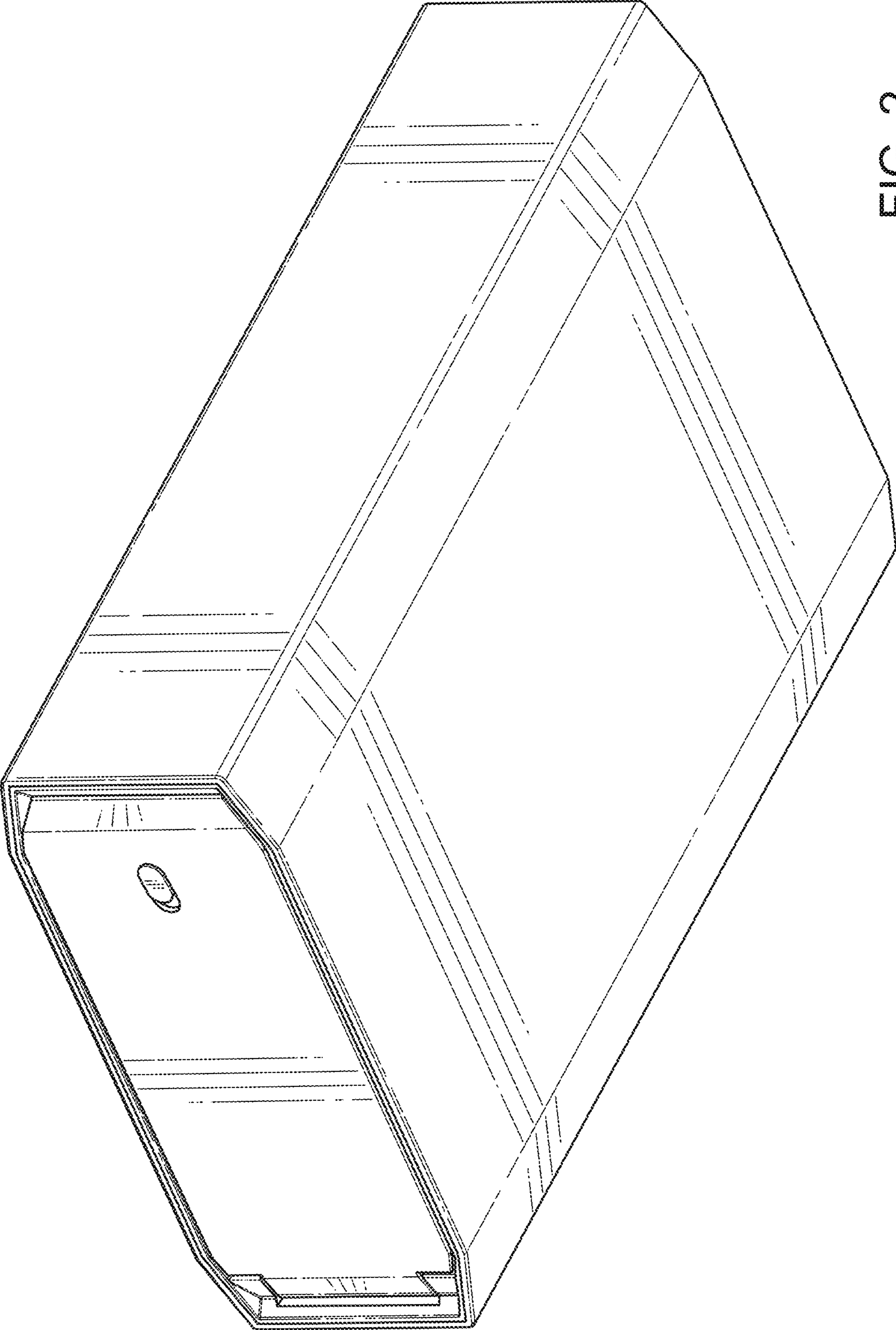


FIG. 2

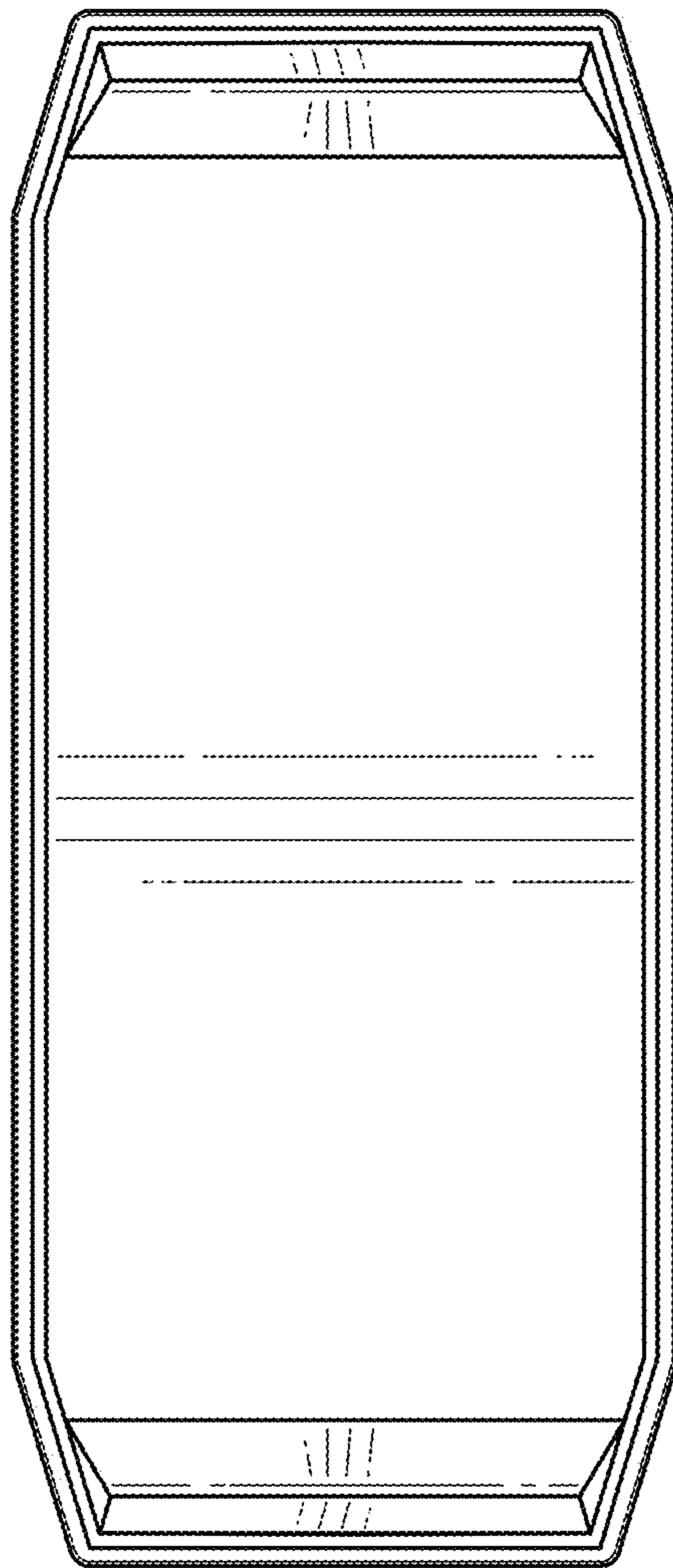


FIG. 3

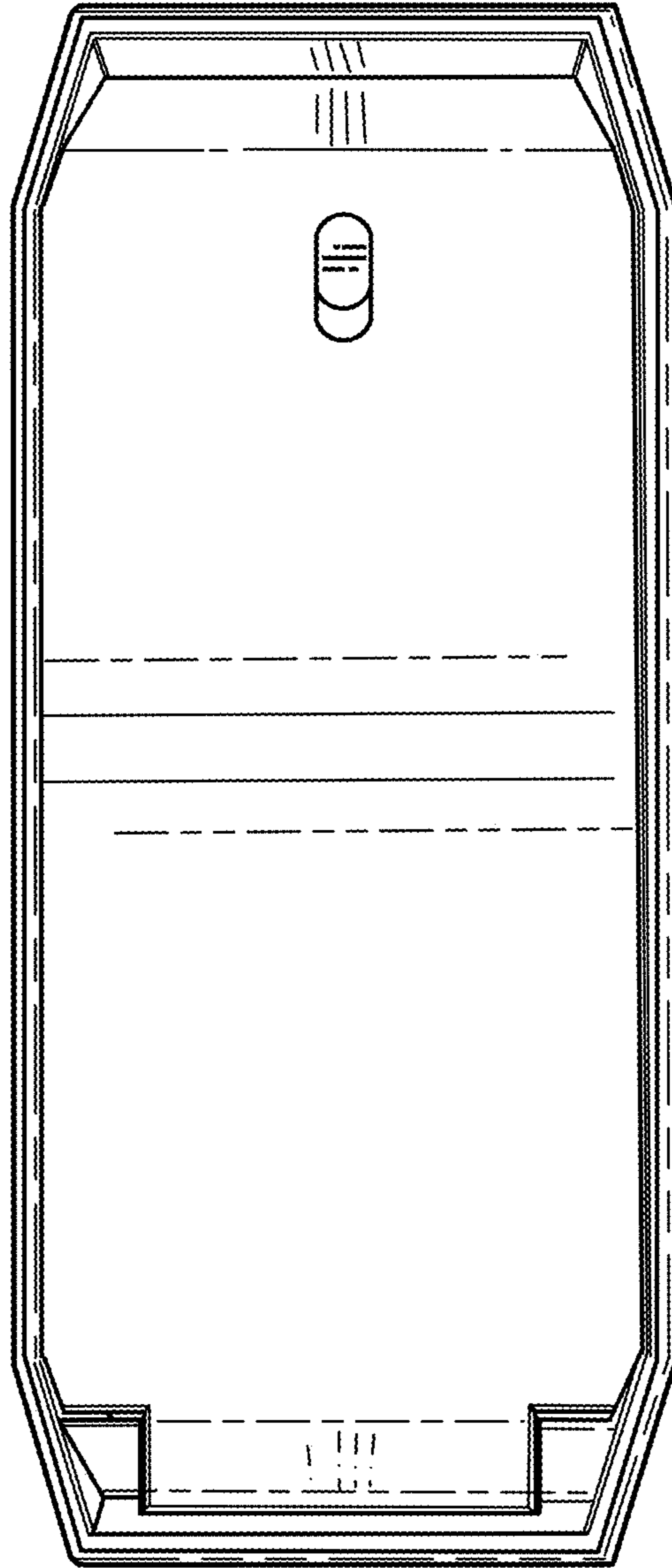


FIG. 4

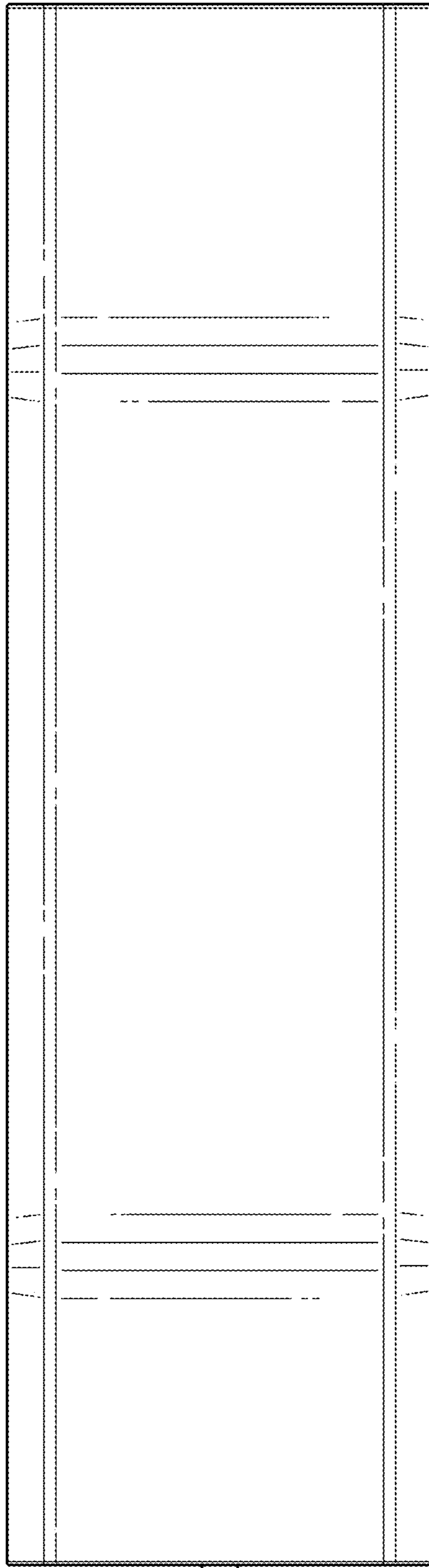


FIG. 5

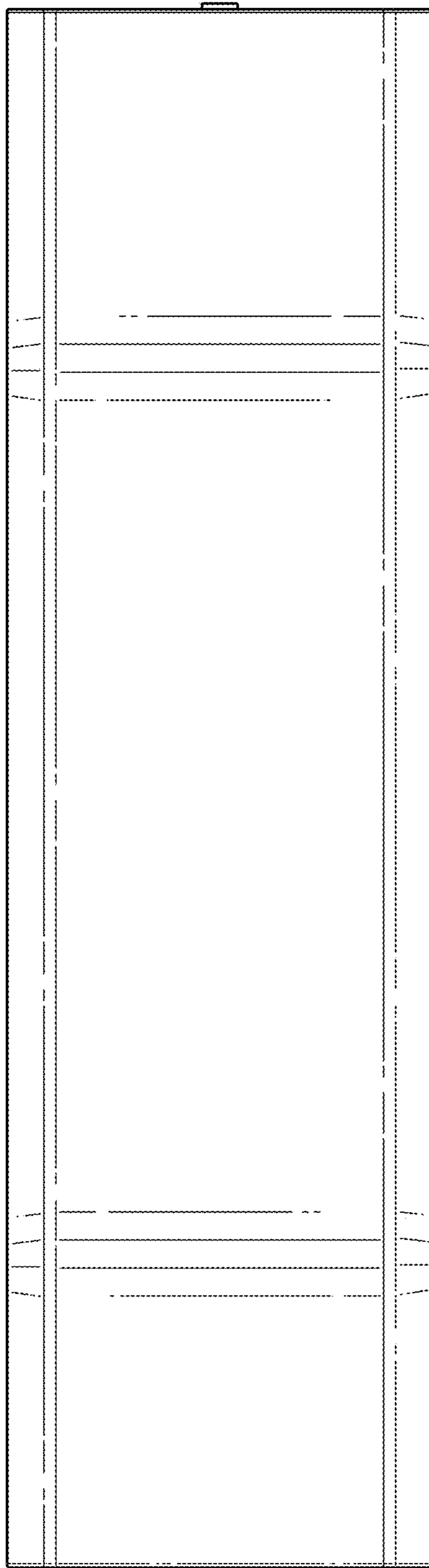


FIG. 6

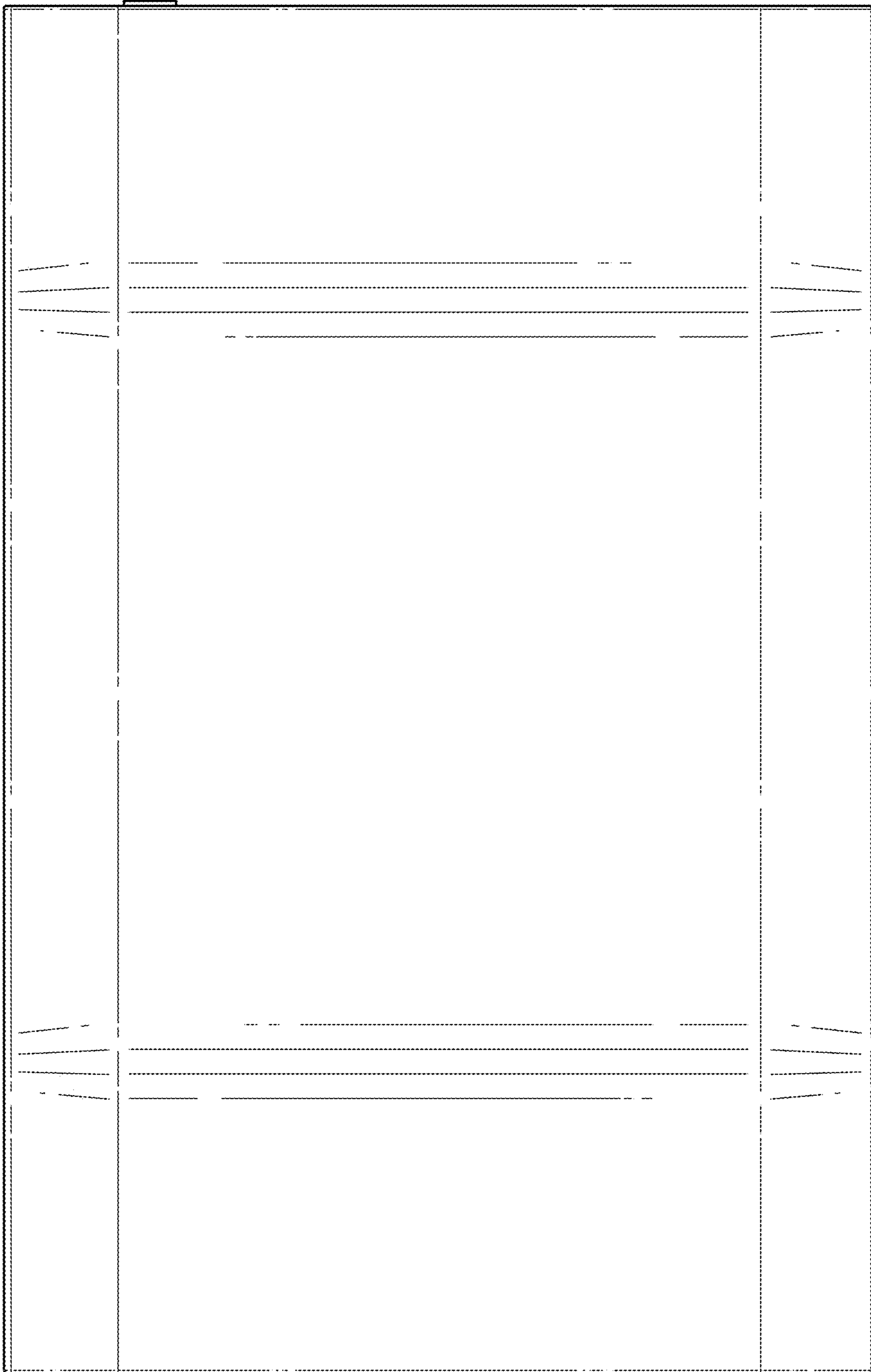


FIG. 7

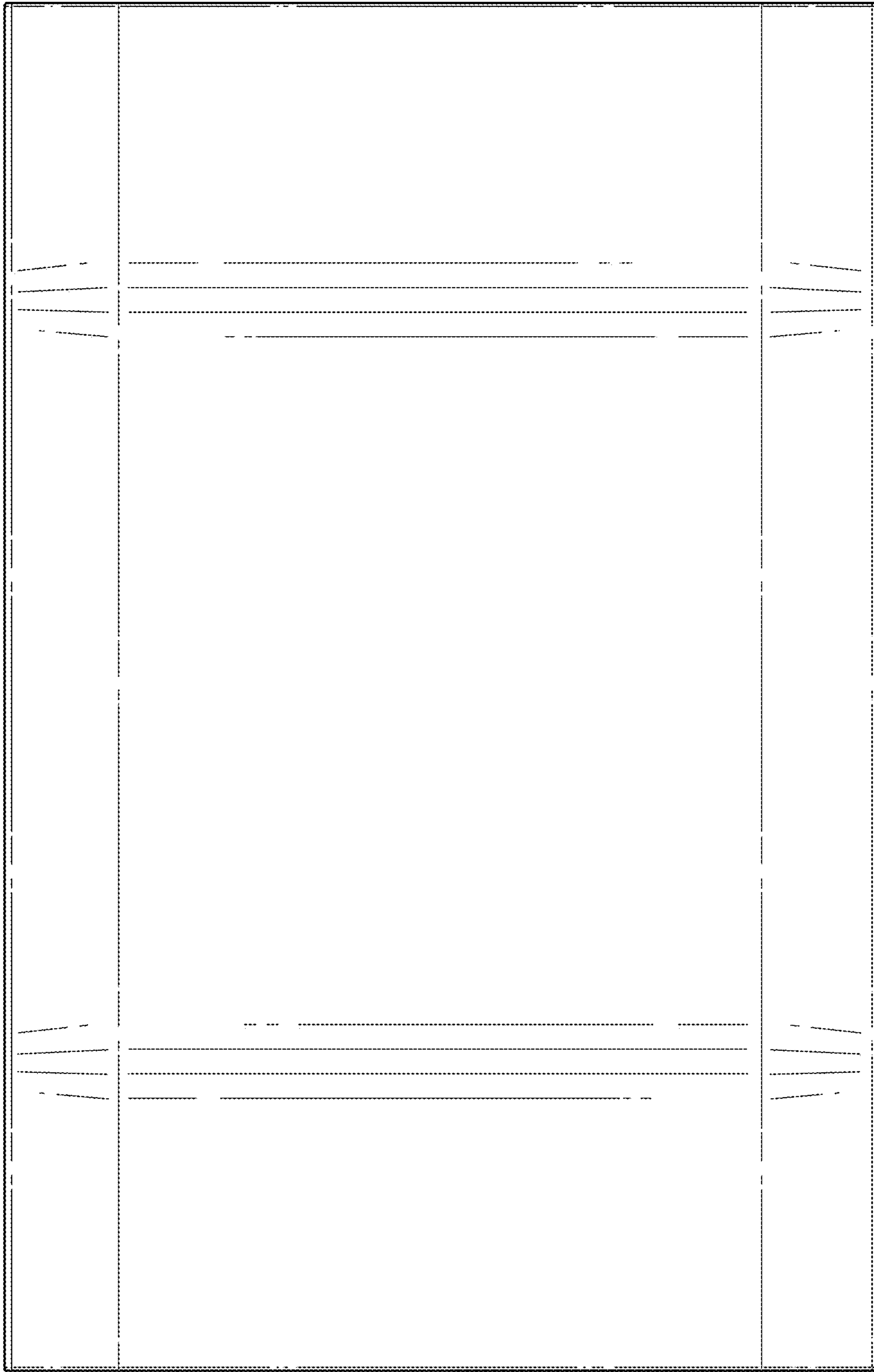


FIG. 8