



US00D957402S

(12) **United States Design Patent**  
**Akana et al.**

(10) **Patent No.:** **US D957,402 S**  
(45) **Date of Patent:** **\*\* Jul. 12, 2022**

(54) **HOUSING MODULE FOR AN ELECTRONIC DEVICE**

(71) Applicant: **Apple Inc.**, Cupertino, CA (US)

(72) Inventors: **Jody Akana**, San Francisco, CA (US); **Molly Anderson**, San Francisco, CA (US); **Bartley K. Andre**, Palo Alto, CA (US); **Shota Aoyagi**, San Francisco, CA (US); **Anthony Michael Ashcroft**, San Francisco, CA (US); **Marine C. Bataille**, San Francisco, CA (US); **Jeremy Bataillou**, San Francisco, CA (US); **Trent J. Canales**, Sacramento, CA (US); **Abidur Rahman Chowdhury**, San Francisco, CA (US); **Clara Geneviève Marine Courtaigne**, Palo Alto, CA (US); **Markus Diebel**, San Francisco, CA (US); **Richard Hung Minh Dinh**, Saratoga, CA (US); **Michael Walter Firka**, Cupertino, CA (US); **Jonathan Gomez Garcia**, San Francisco, CA (US); **M. Evans Hankey**, San Francisco, CA (US); **Julian Hoenig**, San Francisco, CA (US); **Richard P. Howarth**, San Francisco, CA (US); **Jonathan P. Ive**, San Francisco, CA (US); **Julian Jaede**, San Francisco, CA (US); **Duncan Robert Kerr**, San Francisco, CA (US); **Benjamin J. Pope**, Mountain View, CA (US); **Peter Russell-Clarke**, San Francisco, CA (US); **Benjamin Andrew Shaffer**, San Jose, CA (US); **Sung-Ho Tan**, San Francisco, CA (US); **Clement Tissandier**, San Francisco, CA (US); **Eugene Antony Whang**, San Francisco, CA (US); **Rico Zörkendörfer**, San Francisco, CA (US)

(73) Assignee: **Apple Inc.**, Cupertino, CA (US)

(\*\*) Term: **15 Years**

(21) Appl. No.: **29/714,471**

(22) Filed: **Nov. 22, 2019**

(51) **LOC (13) Cl.** ..... **14-02**

(52) **U.S. Cl.**  
USPC ..... **D14/439**

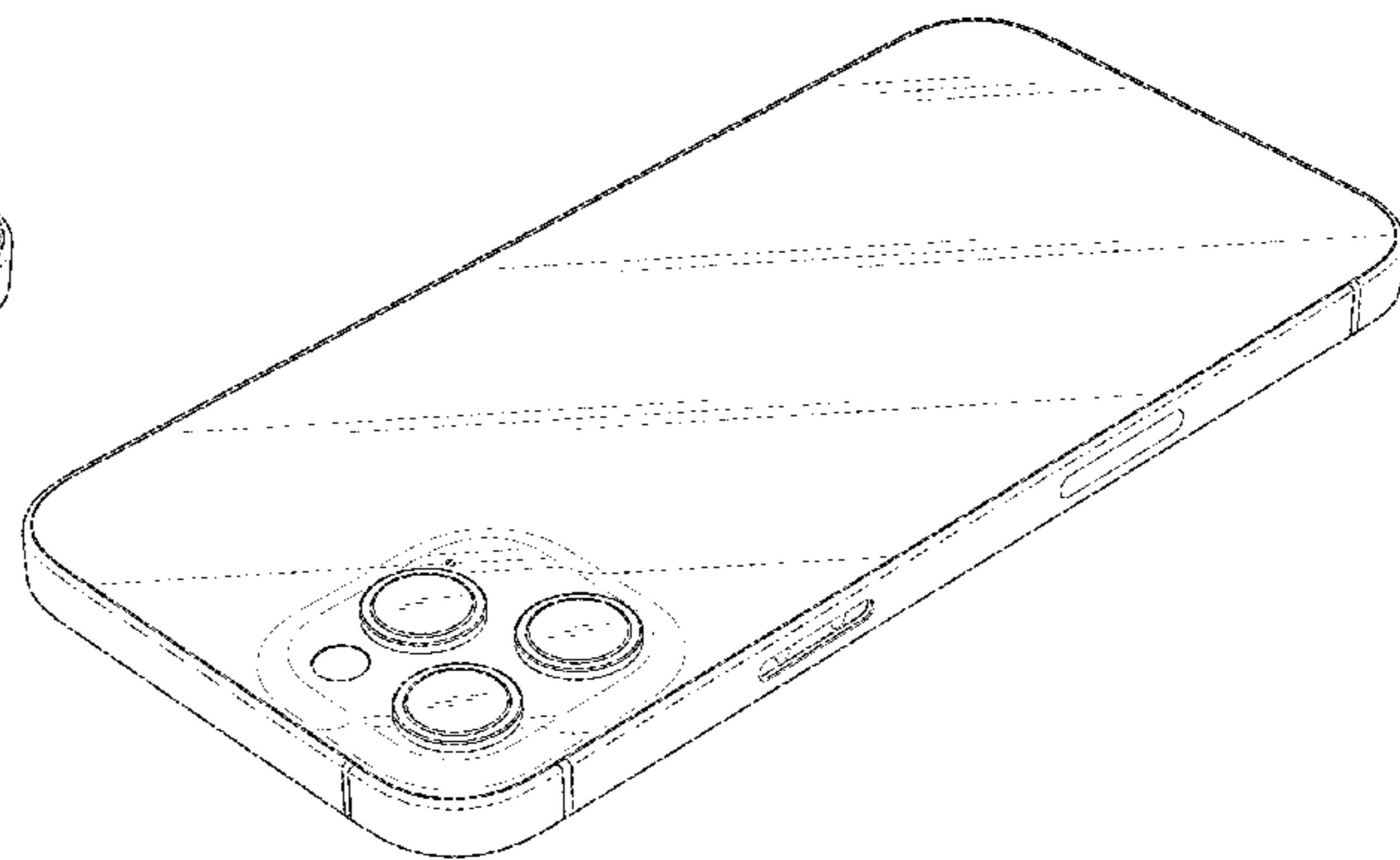
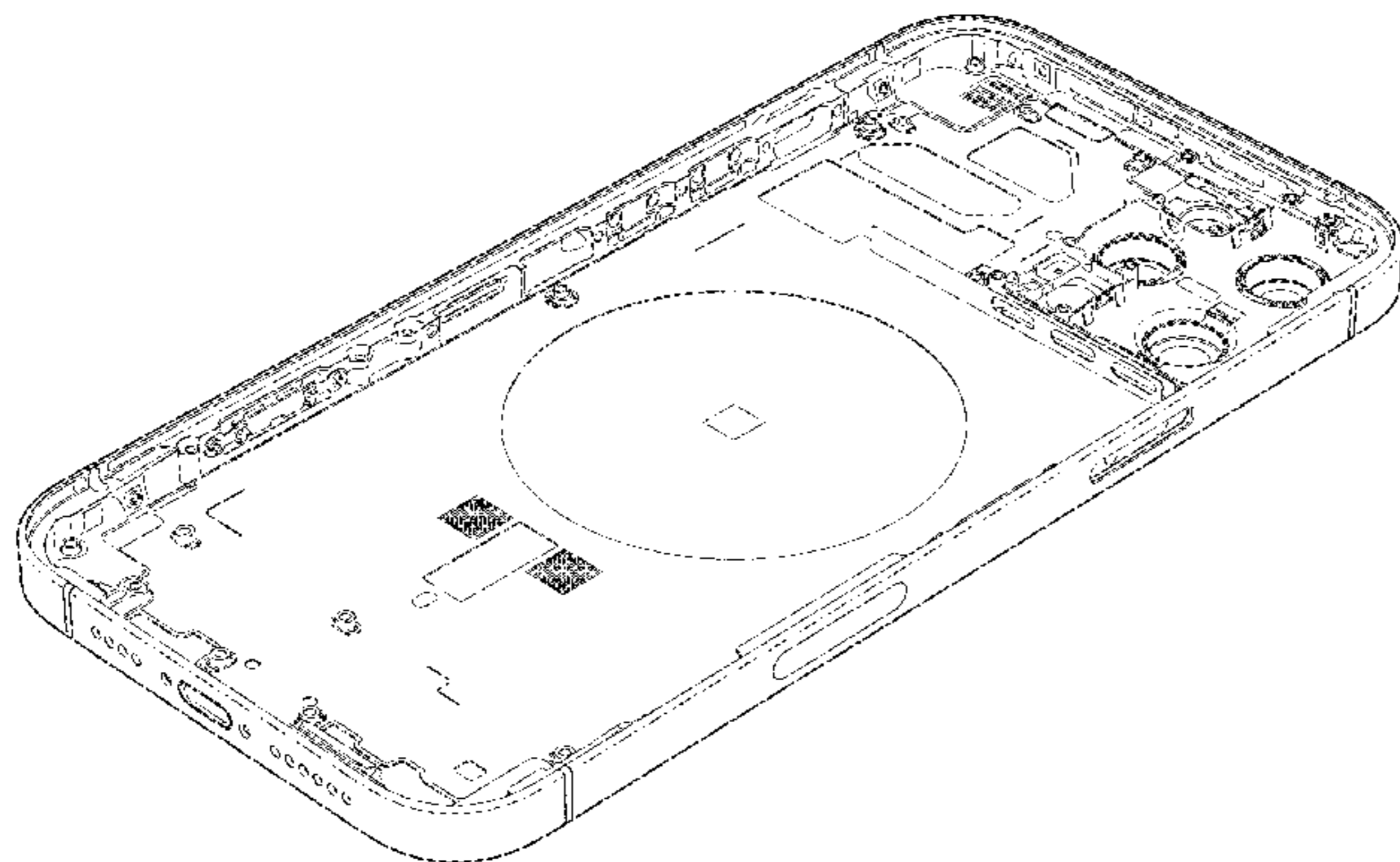
(58) **Field of Classification Search**  
USPC ..... D14/125–134, 137, 138 R, 138 AA, D14/138 AB, 138 AC, 138 AD, 138 G, D14/147, 203.1–203.8, 217, 218, 238.1, D14/247, 248, 250, 257, 299, 315–318, D14/332, 336, 341–347, 371, 374–377, D14/388, 389, 420, 424, 426, 429, 432, D14/489, 492, 496, 425, 433–453, 464, D14/468, 469, 471, 511; D6/300–310; D10/50, 65, 98, 104.1; D16/241; D17/24, 99; D18/4.6, 6; D20/10, 19, 39; D21/329, 330, 517  
CPC . A63H 33/3016; G06F 1/1613; G06F 1/1641; G06F 1/1643; G06F 1/1647; G06F 1/1626; G06F 3/04883; G06F 3/0486; G06F 3/04847; G06F 3/04845; G06F 3/0484; G06F 3/04817; H04B 1/3838; H04M 1/0235; H04M 1/0237; H04M 1/0239; H04M 1/0268; H04M 1/027; H04M 1/0295; H04M 1/02; H04M 1/0279; H04M 1/0277; H04M 1/0266; H04M 1/0202; H04M 1/026; H04M 1/0281; H04M 1/0283; H04N 13/045; H05K 5/0017; H05K 5/02; H05K 5/0217; H05K 5/0004

See application file for complete search history.

(56) **References Cited**

U.S. PATENT DOCUMENTS

D114,891 S	5/1939	Fogel
D191,070 S	8/1961	McCreery
D411,448 S	6/1999	Baker
D465,486 S	11/2002	Lee et al.
D556,681 S	12/2007	Kim
D574,819 S	8/2008	Andre et al.
D575,056 S	8/2008	Tan
7,660,560 B2	2/2010	Zuo et al.
7,697,281 B2	4/2010	Dabov et al.
D619,361 S	7/2010	Andre et al.
D622,716 S	8/2010	Andre et al.





# US D957,402 S

D623,180 S 9/2010 Diebel  
D624,403 S 9/2010 Hansen et al.  
7,796,381 B2 9/2010 Zuo et al.  
D624,815 S 10/2010 Hansen et al.  
D625,303 S 10/2010 Kim  
D625,524 S 10/2010 Schwartz et al.  
D627,343 S 11/2010 Andre et al.  
7,911,774 B2 3/2011 Nakanishi et al.  
D643,837 S 8/2011 Smith et al.  
D647,519 S 10/2011 Rothbaum et al.  
D648,718 S 11/2011 Andre et al.  
D653,202 S 1/2012 Hasbrook et al.  
D662,503 S 6/2012 Akana et al.  
D666,202 S 8/2012 Dinh et al.  
8,250,724 B2 8/2012 Dabov et al.  
D670,281 S 11/2012 Corpuz et al.  
D671,102 S 11/2012 Rothbaum et al.  
D677,664 S 3/2013 Akana et al.  
D677,666 S 3/2013 Akana et al.  
D681,032 S 4/2013 Akana et al.  
D697,068 S 1/2014 Andre et al.  
D697,511 S 1/2014 Andre et al.  
D697,918 S 1/2014 Akana et al.  
D699,717 S 2/2014 Akana et al.  
D710,813 S 8/2014 Ichinose  
D718,753 S 12/2014 Akana et al.  
D720,747 S 1/2015 Kim et al.  
D721,346 S 1/2015 Lee et al.  
D723,495 S 3/2015 Jeong  
D723,567 S 3/2015 Akana et al.  
D729,809 S 5/2015 Akana et al.  
D730,361 S 5/2015 Akana et al.  
D732,498 S 6/2015 Huang et al.  
D732,539 S 6/2015 Akana et al.  
D733,146 S 6/2015 Akana et al.  
D735,726 S 8/2015 Chen  
9,114,487 B2 8/2015 Kiple et al.  
D743,389 S 11/2015 Akana et al.  
9,176,701 B2 11/2015 Becze  
D747,319 S 1/2016 Lee  
D747,723 S 1/2016 Kim et al.  
D749,077 S \* 2/2016 Akana ..... D14/439  
D749,590 S 2/2016 Dinh et al.  
D749,591 S 2/2016 Akana et al.  
D756,948 S 5/2016 Kim et al.  
D757,675 S 5/2016 Seo et al.  
D759,008 S 6/2016 Akana et al.  
D765,661 S 9/2016 Akana et al.  
D768,637 S 10/2016 Akana et al.  
D770,411 S 11/2016 Zhang  
D772,865 S 11/2016 Akana et al.  
D772,877 S 11/2016 Akana et al.  
D774,031 S 12/2016 Otani  
D777,155 S 1/2017 Kim et al.  
D778,905 S 2/2017 Akana et al.  
D780,742 S 3/2017 Guerdum et al.  
D781,807 S 3/2017 Hubbard et al.  
D791,139 S 7/2017 Akana et al.  
D791,732 S 7/2017 Xu et al.  
D795,260 S 8/2017 Schlossberg et al.  
D796,469 S 9/2017 Jin  
D798,260 S 9/2017 Seo et al.  
D800,716 S 10/2017 Akana et al.  
D803,209 S 11/2017 Akana et al.  
D806,705 S 1/2018 Akana et al.  
D815,632 S 4/2018 Akana et al.  
D815,633 S 4/2018 Akana et al.  
D815,634 S 4/2018 Akana et al.  
D816,649 S 5/2018 Song et al.  
D824,389 S \* 7/2018 Dinh ..... D14/439  
D824,390 S 7/2018 Akana et al.  
D831,025 S 10/2018 Akana et al.  
D848,999 S \* 5/2019 Akana ..... H04M 1/0279  
D14/341  
D849,009 S 5/2019 Akana et al.  
D849,010 S \* 5/2019 Akana ..... D14/439  
D893,495 S \* 8/2020 Akana ..... D14/439  
D895,626 S \* 9/2020 Akana ..... D14/439  
D895,628 S \* 9/2020 Akana ..... D14/439

D896,232 S \* 9/2020 Akana ..... D14/439  
D901,479 S \* 11/2020 Altschul ..... D14/250  
D901,480 S \* 11/2020 Altschul ..... H04M 1/0279  
D14/250  
D905,065 S \* 12/2020 Akana ..... D14/439  
D905,696 S \* 12/2020 Akana ..... D14/439  
D908,670 S \* 1/2021 Zhu ..... D14/248  
D909,388 S \* 2/2021 Akana ..... D14/439  
10,959,350 B2 \* 3/2021 Lee ..... H04M 1/0266  
D924,241 S \* 7/2021 Akana ..... D14/439  
D926,766 S \* 8/2021 Akana ..... D14/439  
D926,768 S \* 8/2021 Akana ..... D14/439  
D926,769 S \* 8/2021 Akana ..... D14/439  
11,082,545 B2 \* 8/2021 Kim ..... H04M 1/0266  
D933,072 S \* 10/2021 Akana ..... D14/439  
D938,955 S \* 12/2021 Akana ..... D14/432  
D939,509 S \* 12/2021 Dinh ..... D14/439  
2006/0281501 A1 12/2006 Zuo et al.  
2009/0245565 A1 10/2009 Mittleman et al.  
2010/0146766 A1 6/2010 Dabov et al.  
2012/0008266 A1 1/2012 Nomura  
2012/0092812 A1 4/2012 Lewis et al.  
2021/0034114 A1 \* 2/2021 Cha ..... G06F 1/1626  
2021/0044685 A1 \* 2/2021 Bui Dac ..... H04M 1/0266  
2021/0055059 A1 \* 2/2021 Lee ..... G06F 1/1626  
2021/0091816 A1 \* 3/2021 Noh ..... H04B 1/3838  
2021/0092856 A1 \* 3/2021 Jou ..... G06F 1/1626  
2021/0099560 A1 \* 4/2021 Kim ..... H04M 1/0277  
2021/0168229 A1 \* 6/2021 Kallman ..... G06F 1/1686  
2021/0204435 A1 \* 7/2021 Choi ..... G06F 1/1626  
2021/0251079 A1 \* 8/2021 Park ..... H04M 1/0277

## OTHER PUBLICATIONS

Apple Launches iPhone 8 and iPhone 8 Plus Starting at \$699, dated Sep. 12, 2017, Retrieved from the Internet, (URL: <https://www.guidingtech.com/72676/apple-launches-iphone8/>).

Back Rear Housing Cover Battery Door Replacement Part for iPhone 8/8 Plus, Quality, dated May 9, 2018, Retrieved from the Internet, (URL: <http://domobest.manufacturer.globalsources.com/si/6008848956994/pdtl/Repair-part/1157196030/Battery-...>).

Fingas R, "Leak claims to show schematic for 2019's upcoming 'iPhone XI'," dated Mar. 28, 2019, Retrieved from the Internet, (URL: <https://appleinsider.com/articles/19/03/28/leak-claims-to-show-schematic-for-2019s-upcoming-iphone-xi>).

HTC: Apple ripped off our unibody phone design and antenna bands, not the other way round, dated Oct. 22, 2015, Retrieved from the Internet, (URL: <http://www.idownloadblog.com/2015/10/22/htc-antenna-design-statement/>).

IPhone 6 Back Housing Replacement (Space Gray), dated May 9, 2018, Retrieved from the Internet, (URL: <https://www.phonepartworld.com/iphone-6-aluminum-back-housing-replacement-gray>).

IPad Pro Design The only thing that hasn't changed is the name., dated Nov. 1, 2018, Retrieved from the Internet, (URL: <https://web.archive.org/web/20181101223019/https://www.apple.com/ipad-pro/design/>).

Replacement for iPhone X Rear Housing with Frame-White, dated May 9, 2018, Retrieved from the Internet: (URL: <https://www.unionrepair.com/replacement-for-iphone-x-rear-housing-with-frame-white.html>).

Team Digit, "EXCLUSIVE: First look at 2019 Apple iPhone XI renders," dated Jan. 6, 2019, Retrieved from the Internet, (URL: <https://www.digit.in/news/mobile-phones/exclusive-first-look-at-2019-iphone-xi-renders-45655.html>), 3 pages.

The iPhone 8 is excellent, but not for everyone, dated Sep. 19, 2017, Retrieved from the Internet, (URL: <https://mashable.com/2017/09/19/apple-iphone-8-and-iphone-8-plus-review/#fOyLRIFRkql>).

Twitter, @OnLeaks, "Excitement level over 9000!!!" , dated Jan. 5, 2019, Retrieved from the Internet, (URL: <https://twitter.com/OnLeaks/status/1081902300434780161>).

Wayback Machine Internet Archive, "iPhone 7 Pre-order Sep. 9," Apple Inc., dated Sep. 7, 2016, Retrieved from the Internet, (URL: <https://web.archive.org/web/2016090191555/https://www.apple.com/shop/buy-iphone/iphone-7>).

U.S. Appl. No. 29/833,186; filed Apr. 1, 2022.

U.S. Appl. No. 29/833,187; filed Apr. 1, 2022.

U.S. Appl. No. 29/833,188; filed Apr. 1, 2022.

\* cited by examiner

*Primary Examiner* — Llorelys Martinez

*Assistant Examiner* — Kwabena A. Ankobiah

(74) *Attorney, Agent, or Firm* — Sterne, Kessler,  
Goldstein & Fox P.L.L.C.

(57) **CLAIM**

The ornamental design for a housing module for an electronic device, as shown and described.

**DESCRIPTION**

FIG. 1 is a bottom and front perspective view of a housing module for an electronic device showing the claimed design;

FIG. 2 is a top and rear perspective view thereof;

FIG. 3 is a front elevation view thereof;

FIG. 4 is a rear elevation view thereof;

FIG. 5 is a left side elevation view thereof;

FIG. 6 is a right side elevation view thereof;

FIG. 7 is a top plan view thereof; and,

FIG. 8 is a bottom plan view thereof.

The broken lines in the figures show portions of the housing module for an electronic device that form no part of the claimed design.

**1 Claim, 6 Drawing Sheets**



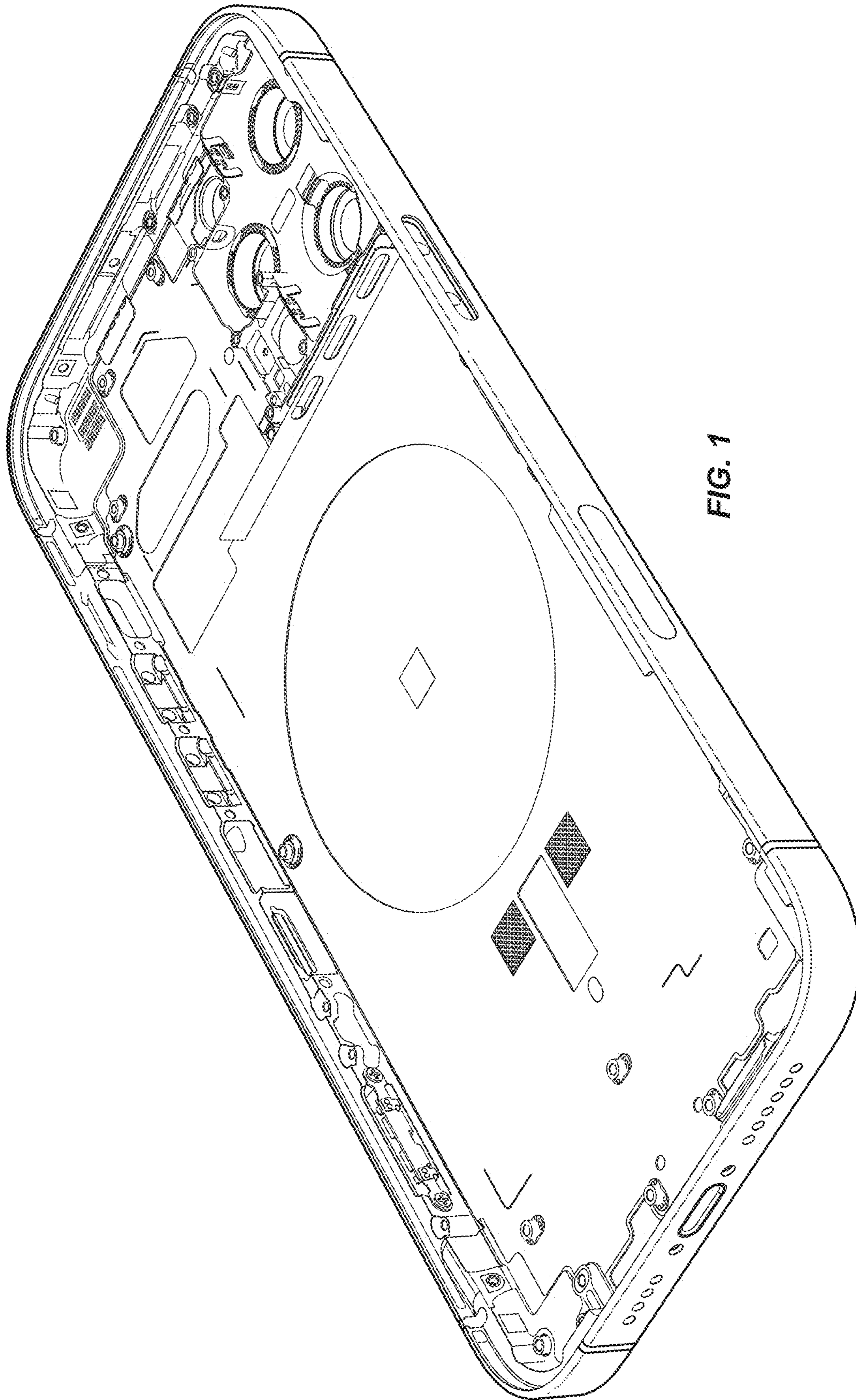


FIG. 1

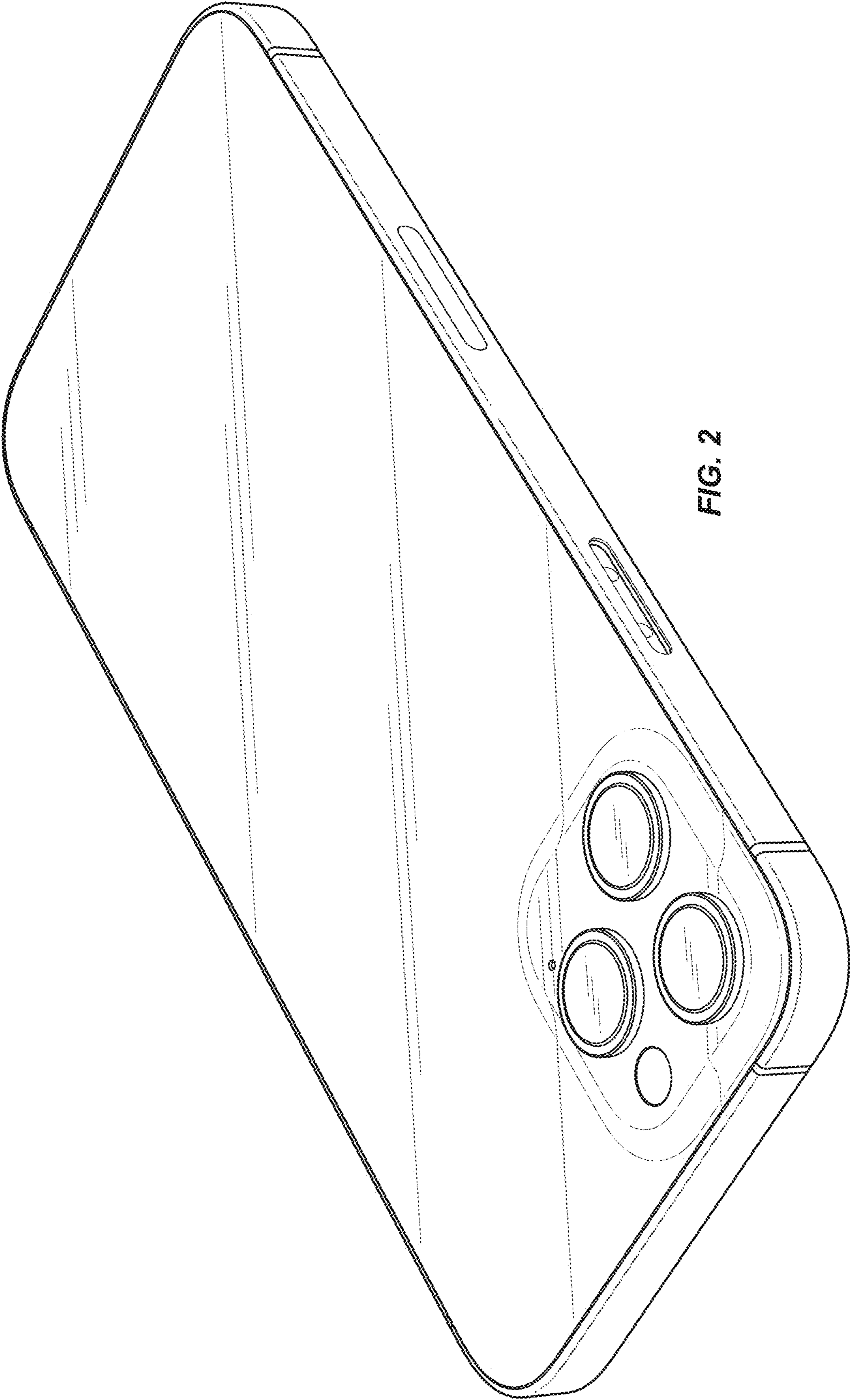


FIG. 2



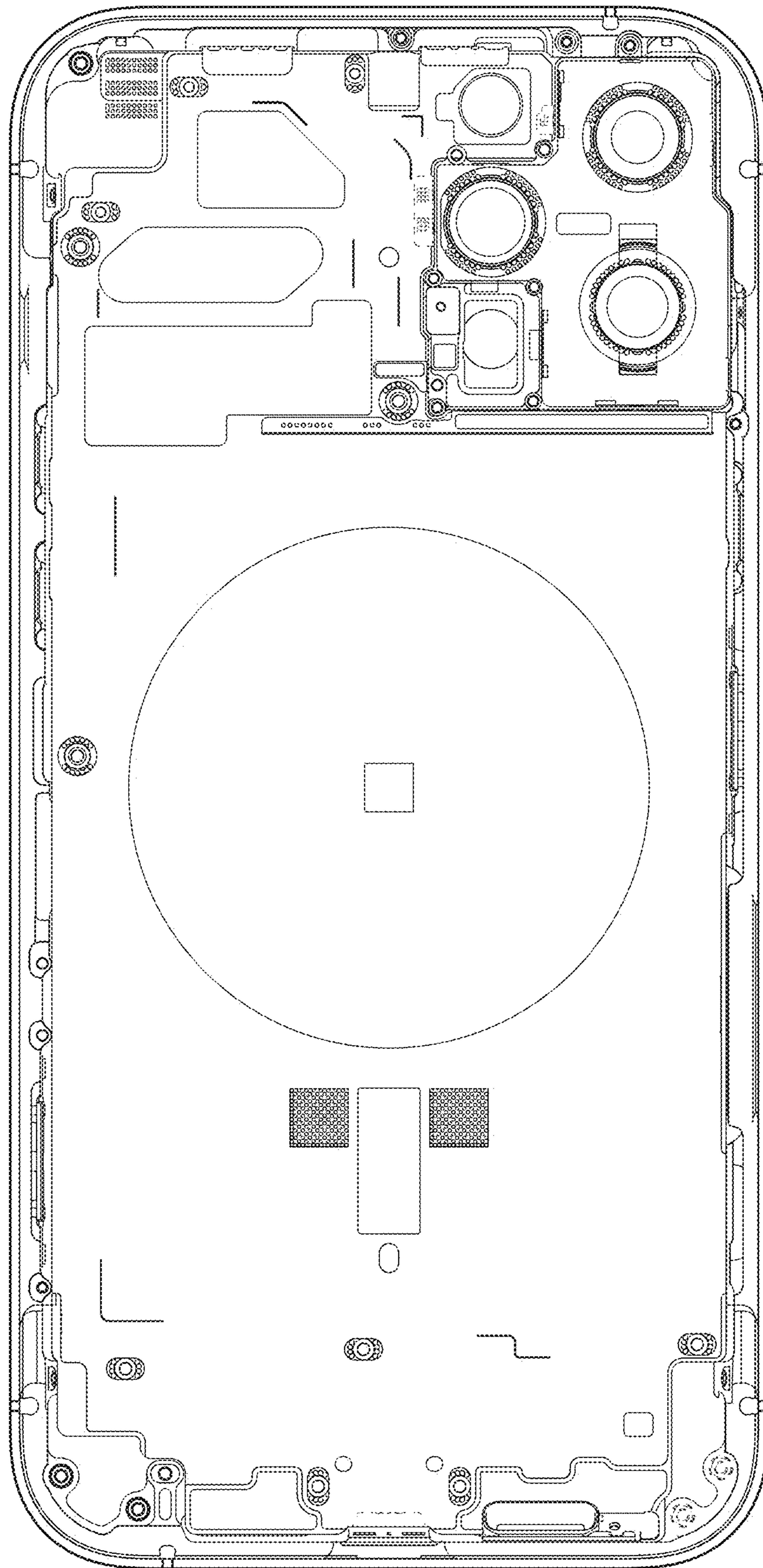


FIG. 3

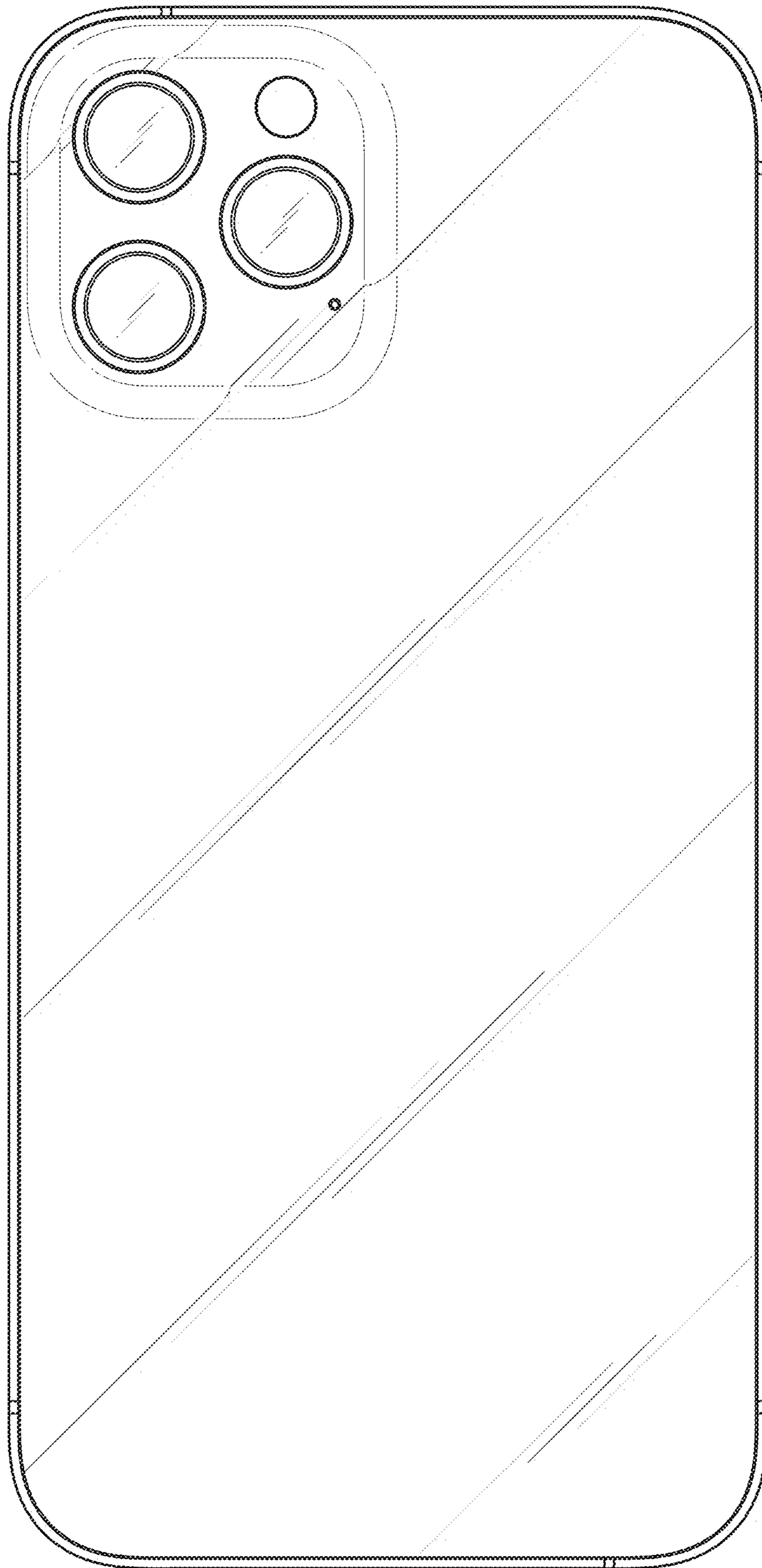


FIG. 4

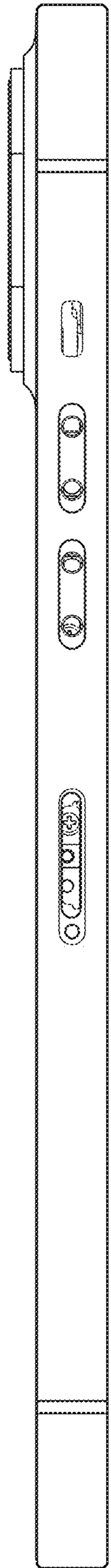


FIG. 5



FIG. 6



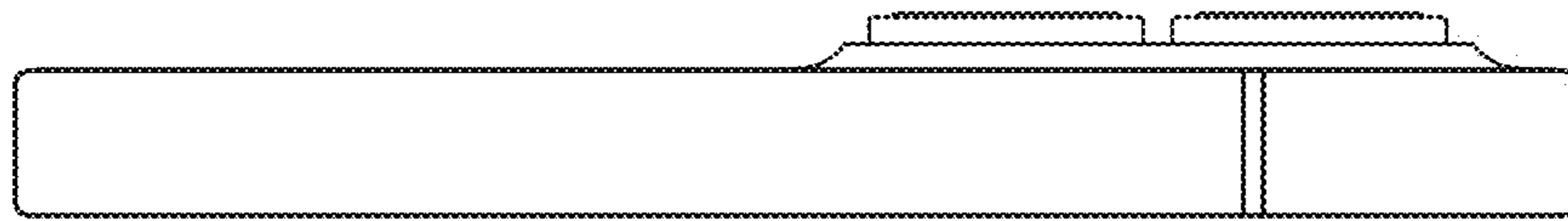


FIG. 7

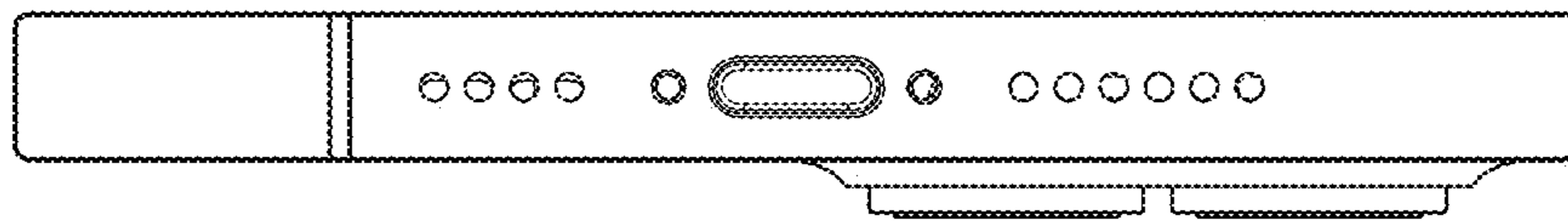


FIG. 8