



US00D957398S

(12) **United States Design Patent**
Min et al.

(10) **Patent No.:** **US D957,398 S**

(45) **Date of Patent:** **** Jul. 12, 2022**

(54) **PORTABLE DOCKING STATION**

(71) Applicant: **ASUSTEK COMPUTER INC.**, Taipei (TW)

(72) Inventors: **Hao-Siang Min**, Taipei (TW);
Yung-Hsiang Chen, Taipei (TW);
Chin-Chung Lai, Taipei (TW)

(73) Assignee: **ASUSTEK COMPUTER INC.**, Taipei (TW)

(**) Term: **15 Years**

(21) Appl. No.: **29/737,116**

(22) Filed: **Jun. 5, 2020**

(51) **LOC (13) Cl.** **14-02**

(52) **U.S. Cl.**
USPC **D14/434; D14/455**

(58) **Field of Classification Search**
USPC D14/434, 440, 447, 251–253, 432, 451,
D14/452, 454, 140, 142, 149, 217, 240,
D14/299, 496, 356, 358, 357, 433, 359,
D14/361, 363, 385, 392, 455; D13/103,
D13/107, 108, 118, 119, 184
CPC G06F 1/1632; G06F 1/1635; G06F 1/1637;
G06F 1/1662; G06F 1/1669; G06F
1/1624;

(Continued)

(56) **References Cited**

U.S. PATENT DOCUMENTS

D432,133 S * 10/2000 Oross D14/439
6,937,468 B2 * 8/2005 Lin G06F 1/1632
361/679.41

D664,953 S * 8/2012 Hung D14/327

(Continued)

FOREIGN PATENT DOCUMENTS

EP 2560070 A2 * 2/2013 G06F 1/1632

OTHER PUBLICATIONS

Asus Transformer Pad Infinity Mobile Dock: Unboxing & Review, (online) 1 pg. Posted Aug. 4, 2012 [retrieved Jan. 6, 2022] <https://www.youtube.com/watch?v=g3CAAtA6HMX4>.*

Primary Examiner — Marie D. Fast Horse
(74) *Attorney, Agent, or Firm* — Muncy, Geissler, Olds & Lowe, PC

(57) **CLAIM**

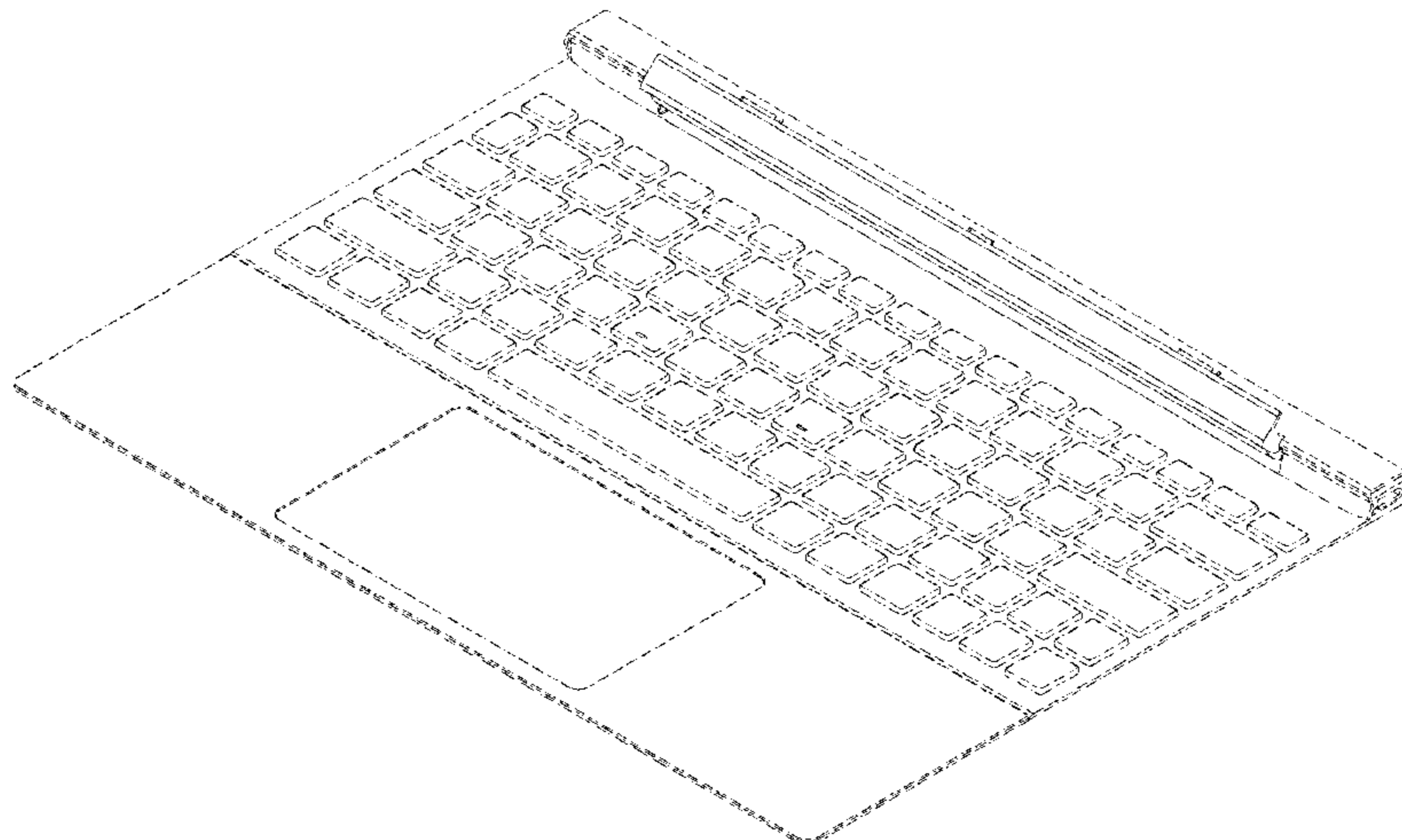
The ornamental design for a portable docking station, as shown and described.

DESCRIPTION

FIG. 1 is a top front perspective view of a portable docking station showing our new design;
FIG. 2 is a front view thereof;
FIG. 3 is a rear view thereof;
FIG. 4 is a left side view thereof;
FIG. 5 is a right side view thereof;
FIG. 6 is a top view thereof;
FIG. 7 is a top front perspective view thereof showing the insert portion in a downward position for use;
FIG. 8 is another perspective view thereof, shown in an alternate downward position wherein an environmental tablet is connected to the portable docking station in a closed configuration;
FIG. 9 is another perspective view thereof, shown in an alternate position wherein the environmental tablet is connected to the portable docking station in an open configuration; and,
FIG. 10 is another perspective view thereof, shown in another alternate downward position wherein the environmental tablet is connected to the portable docking station in another configuration.

The bottom view has been omitted as it does not show the claimed design. The broken lines showing the tablet in FIGS. 8-10 depict environment only and form no part of the

(Continued)



claim; while all other broken lines in the drawings depict portions of the portable docking station that form no part of the claimed design.

1 Claim, 10 Drawing Sheets

(58) Field of Classification Search

CPC G06F 1/1654; F16M 11/00; F16M 11/04; F16M 11/041

See application file for complete search history.

(56) References Cited

U.S. PATENT DOCUMENTS

D684,155 S *	6/2013	Hsu	D14/434	2012/0299530 A1 *	11/2012	Hsu	H02J 7/34
D685,381 S *	7/2013	Symons	D14/447				320/103
D693,338 S *	11/2013	Chen	D14/315	2013/0039000 A1 *	2/2013	Vicente, Jr.	G06F 1/1632
8,599,542 B1 *	12/2013	Healey	G06F 1/1669				361/679.41
			361/679.17	2013/0155583 A1 *	6/2013	Yang	G06F 1/1632
D705,771 S *	5/2014	Kubota	D14/315				361/679.01
D708,604 S *	7/2014	Tanner	D14/315	2013/0163187 A1 *	6/2013	Wang	G06F 1/1632
D708,605 S *	7/2014	Yang	D14/315				361/679.41
8,817,456 B2 *	8/2014	Lin	G06F 1/1632	2013/0170126 A1 *	7/2013	Lee	G06F 1/1632
			361/679.29				361/679.17
D717,806 S *	11/2014	Yum	D14/455	2013/0335914 A1 *	12/2013	Lee	G06F 1/1669
D721,375 S *	1/2015	Choi	D14/434				361/679.41
8,964,363 B2 *	2/2015	Hu	G06F 1/1632	2014/0002974 A1 *	1/2014	Kuo	G06F 1/1669
			361/679.02				361/679.01
D726,713 S *	4/2015	Lee	D14/315	2014/0111915 A1 *	4/2014	Tseng	G06F 1/1681
9,007,761 B2 *	4/2015	Wolff	G06F 1/1632				361/679.01
			361/679.43	2014/0111923 A1 *	4/2014	Hu	G06F 1/1669
D728,583 S *	5/2015	Choi	D14/455				361/679.2
D729,816 S *	5/2015	Park	D14/455	2014/0133080 A1 *	5/2014	Hwang	G06F 1/1632
D733,139 S *	6/2015	Lee	D14/392				361/679.17
D734,757 S *	7/2015	Myung	D14/439	2014/0177162 A1 *	6/2014	Ho	G06F 1/1632
D734,762 S *	7/2015	Itano	D14/455				361/679.43
D735,211 S *	7/2015	Itano	D14/455	2014/0355191 A1 *	12/2014	Lin	G06F 1/1679
D736,761 S *	8/2015	Tanner	D14/315				361/679.17
D740,296 S *	10/2015	Itano	D14/455	2014/0355192 A1 *	12/2014	Lin	G06F 1/1681
9,256,256 B2 *	2/2016	Liang	G06F 1/1632				361/679.17
D756,365 S *	5/2016	Huang	D14/447	2014/0355210 A1 *	12/2014	Hashimoto	G06F 1/1632
D757,012 S *	5/2016	Shi	D14/434				361/679.58
D765,077 S *	8/2016	Park	D14/392	2014/0362509 A1 *	12/2014	Lin	G06F 1/1669
D766,233 S *	9/2016	Lam	D14/315				361/679.12
D770,441 S *	11/2016	Kong	D14/315	2015/0042567 A1 *	2/2015	Funakoshi	G06F 1/1632
D775,130 S *	12/2016	Otani	D14/391				345/168
D775,624 S *	1/2017	Kong	D14/315	2015/0055289 A1 *	2/2015	Chang	G06F 1/1632
D776,652 S *	1/2017	Kolle	D14/315				361/679.43
D784,344 S *	4/2017	Myung	D14/439	2015/0070280 A1 *	3/2015	Tsuji	G06F 1/1632
D785,635 S *	5/2017	Watanabe	D14/434				345/168
D804,466 S *	12/2017	Okuley	D14/315	2015/0092333 A1 *	4/2015	Kim	G06F 1/1632
D806,087 S *	12/2017	Sharma	G06F 1/1669				361/679.17
			D14/455	2015/0098182 A1 *	4/2015	Liu	G06F 1/1632
D815,098 S *	4/2018	Teramoto	D14/434				361/679.55
D815,644 S *	4/2018	Nakajima	D14/455	2015/0153771 A1 *	6/2015	Lin	G06F 1/1632
D829,708 S *	10/2018	Wu	D14/315				361/679.09
D834,035 S *	11/2018	Nakajima	D14/456	2015/0192957 A1 *	7/2015	Lee	G06F 1/1632
D839,271 S *	1/2019	King-Murrey	D14/432				361/679.58
10,203,729 B1 *	2/2019	Chen	G06F 1/1632	2015/0268694 A1 *	9/2015	Hiratomo	G06F 1/1669
10,353,435 B2 *	7/2019	Deng	G06F 1/1632				361/679.08
D869,457 S *	12/2019	Tzou	D14/317	2016/0054761 A1 *	2/2016	Wolff	E05D 7/10
D869,458 S *	12/2019	Tzou	D14/317				361/679.09
D874,455 S *	2/2020	Akagawa	D14/447	2016/0062413 A1 *	3/2016	Sano	E05D 11/10
D874,457 S *	2/2020	Oakley	D14/327				361/679.09
D905,694 S *	12/2020	Goh	D14/439	2016/0062484 A1 *	3/2016	Sugiura	G06F 1/1632
D912,658 S *	3/2021	Okuley	D14/315				345/156
11,042,197 B2 *	6/2021	Li	G06F 1/1632	2016/0147259 A1 *	5/2016	Taki	G06F 1/1632
D932,464 S *	10/2021	Yen	D14/214				710/304
2011/0292584 A1 *	12/2011	Hung	G06F 1/1632	2016/0149428 A1 *	5/2016	Nunami	G06F 1/1632
			361/679.26				320/136
				2016/0149597 A1 *	5/2016	Takasu	G06F 1/1632
							455/127.2
				2016/0154473 A1 *	6/2016	Yato	G06F 1/1632
							345/156
				2016/0216743 A1 *	7/2016	Kamphuis	G06F 1/1632
				2016/0252971 A1 *	9/2016	Shirata	G06F 1/1632
							345/168
				2017/0153664 A1 *	6/2017	Tsai	G06F 1/1632
				2017/0191608 A1 *	7/2017	Li	G06F 1/1632
				2018/0181167 A1 *	6/2018	Lam	G06F 1/1632
				2018/0261957 A1 *	9/2018	Li	G06F 1/1632
				2019/0121445 A1 *	4/2019	Wang	G06F 1/1632
				2019/0258300 A1 *	8/2019	Gerardi	G06F 1/1632
				2019/0265816 A1 *	8/2019	Saito	G06F 1/1669
				2020/0392759 A1 *	12/2020	Morrison	G06F 1/1679
				2021/0072798 A1 *	3/2021	Yamamoto	G06F 1/1632

* cited by examiner

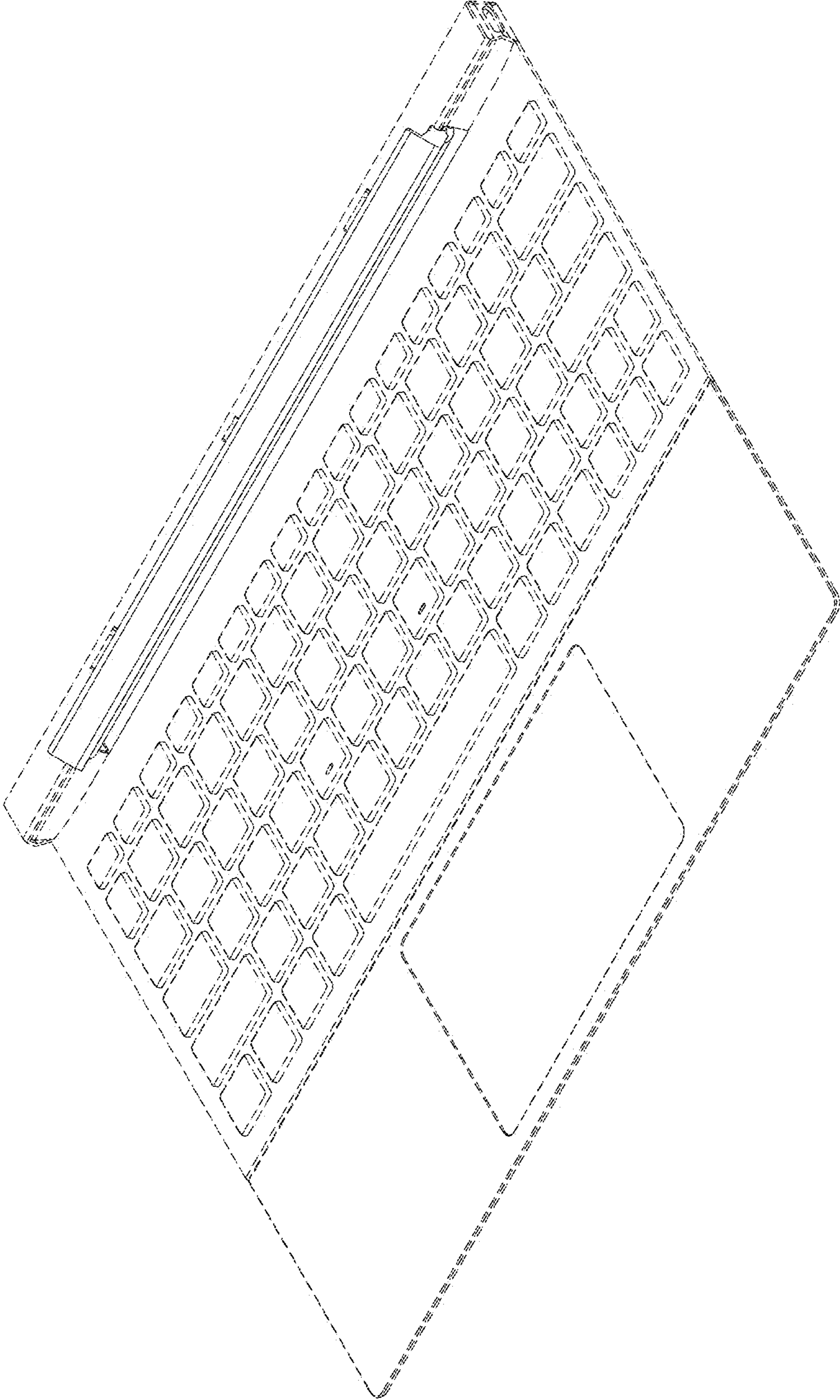


FIG.1

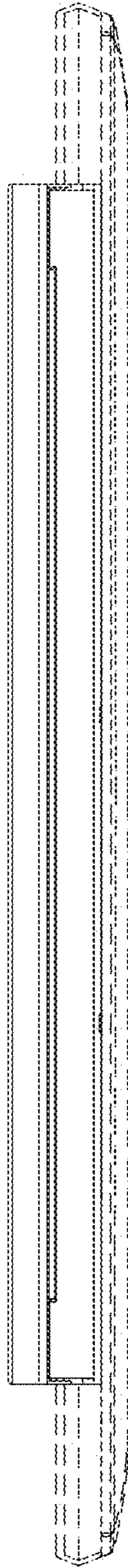


FIG.2



FIG.3

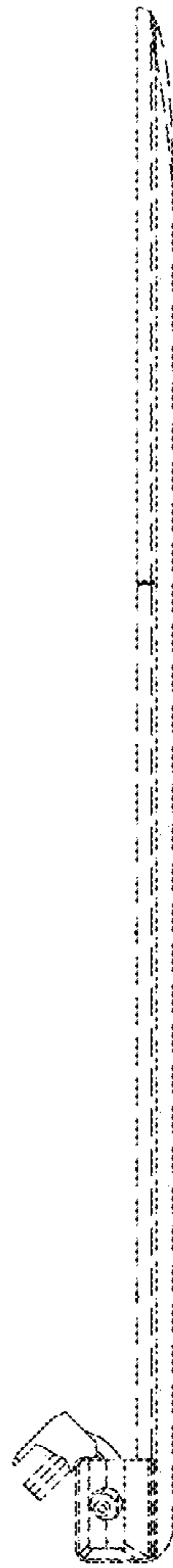


FIG.4



FIG.5

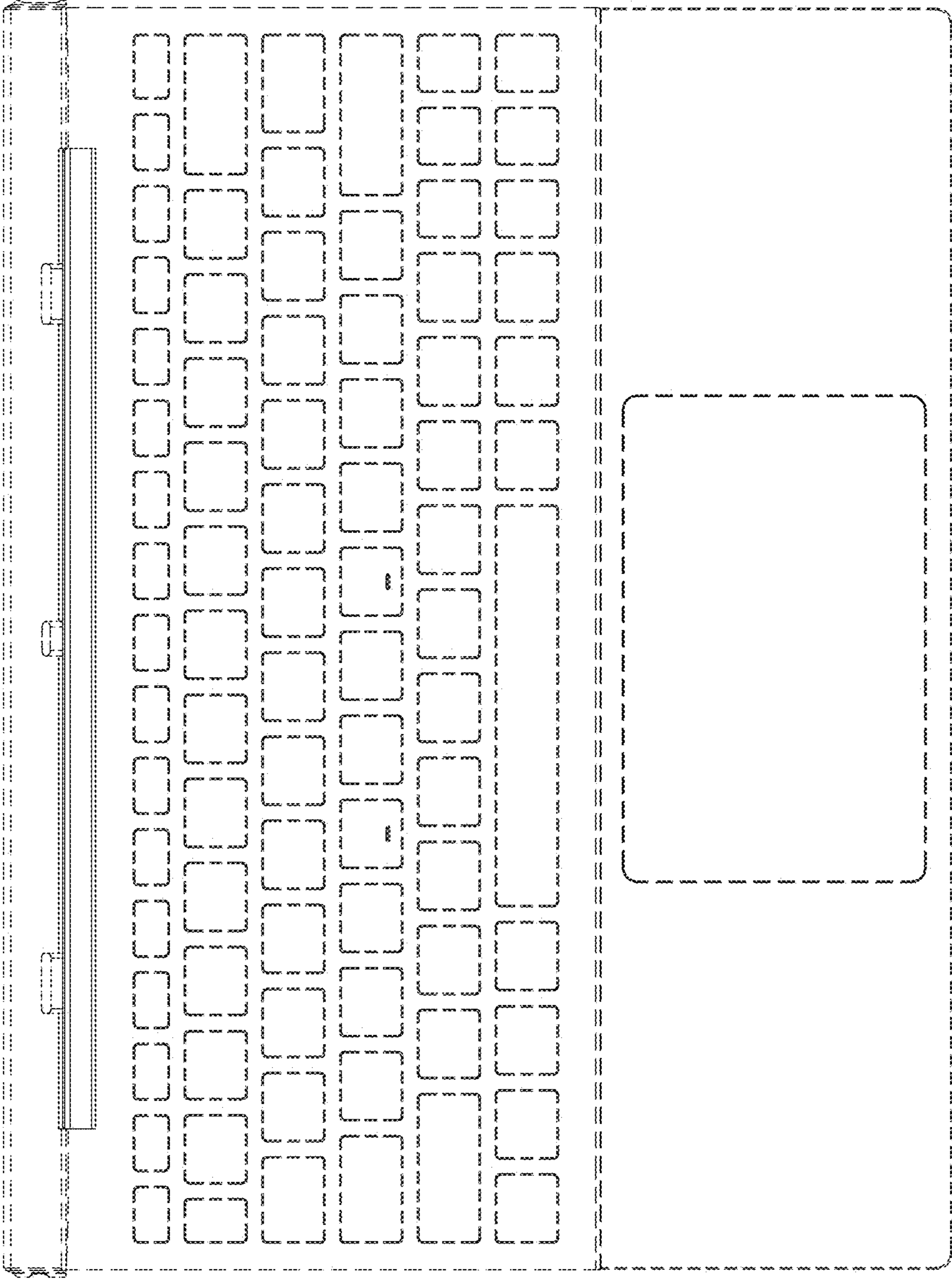


FIG.6

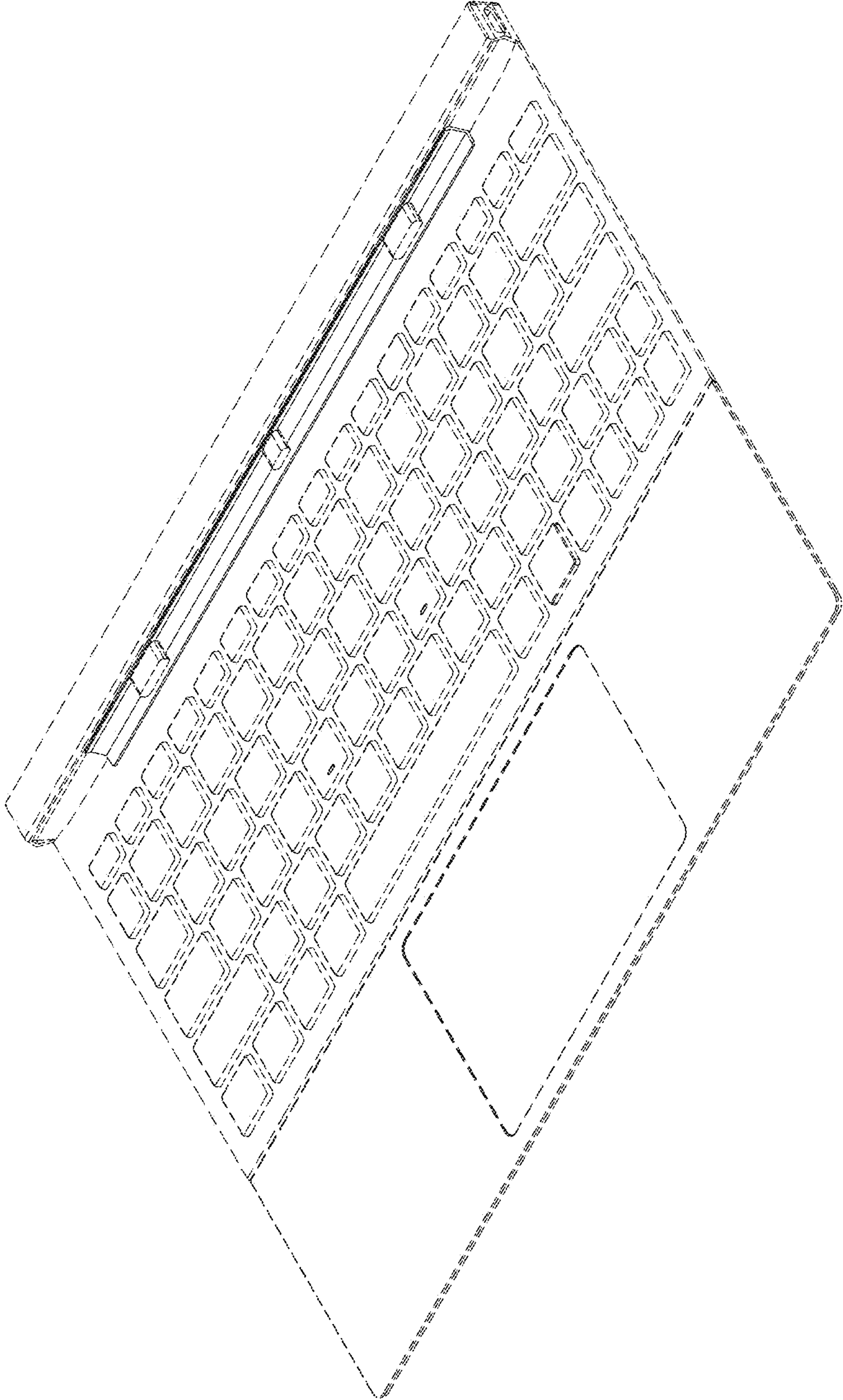


FIG.7

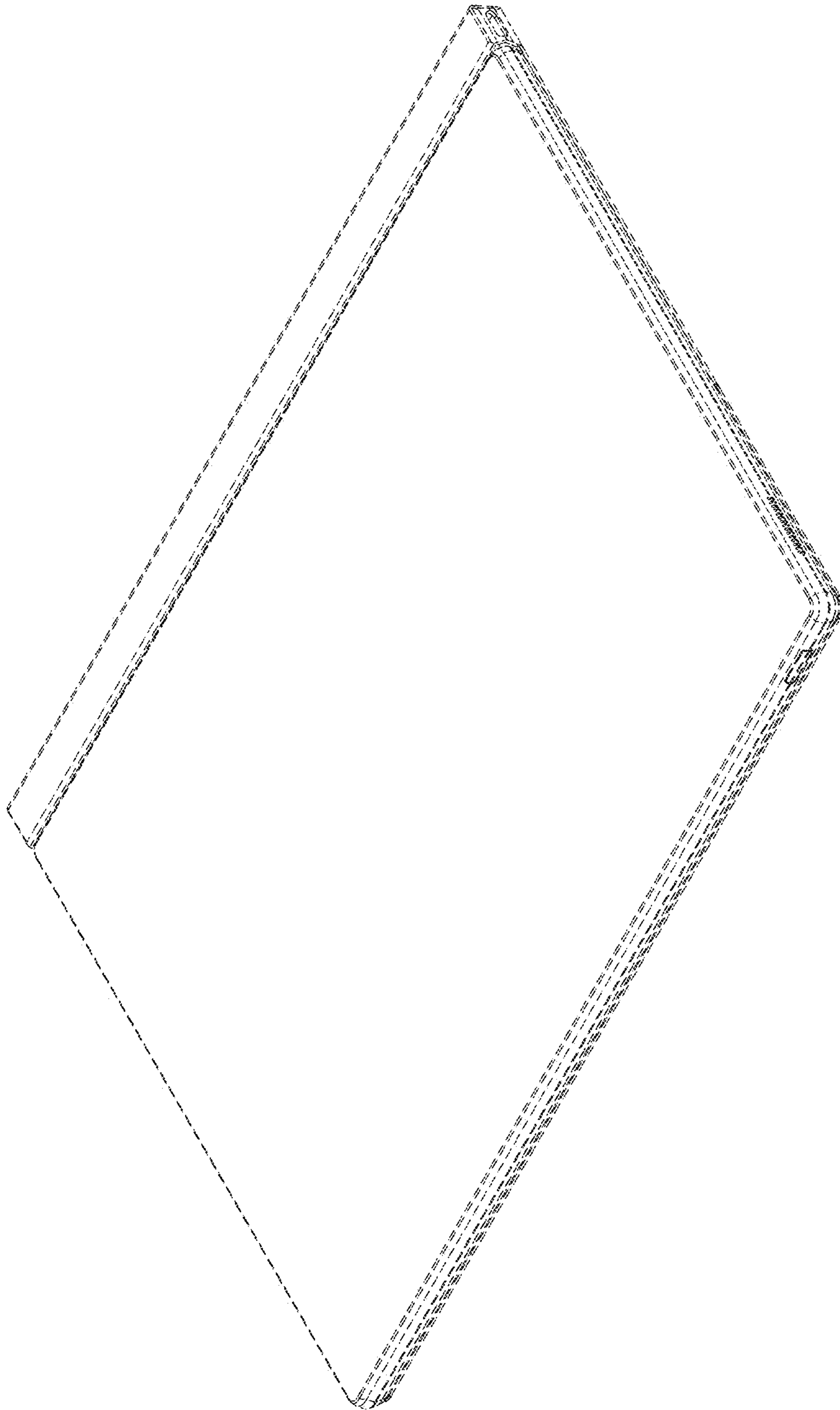


FIG. 8

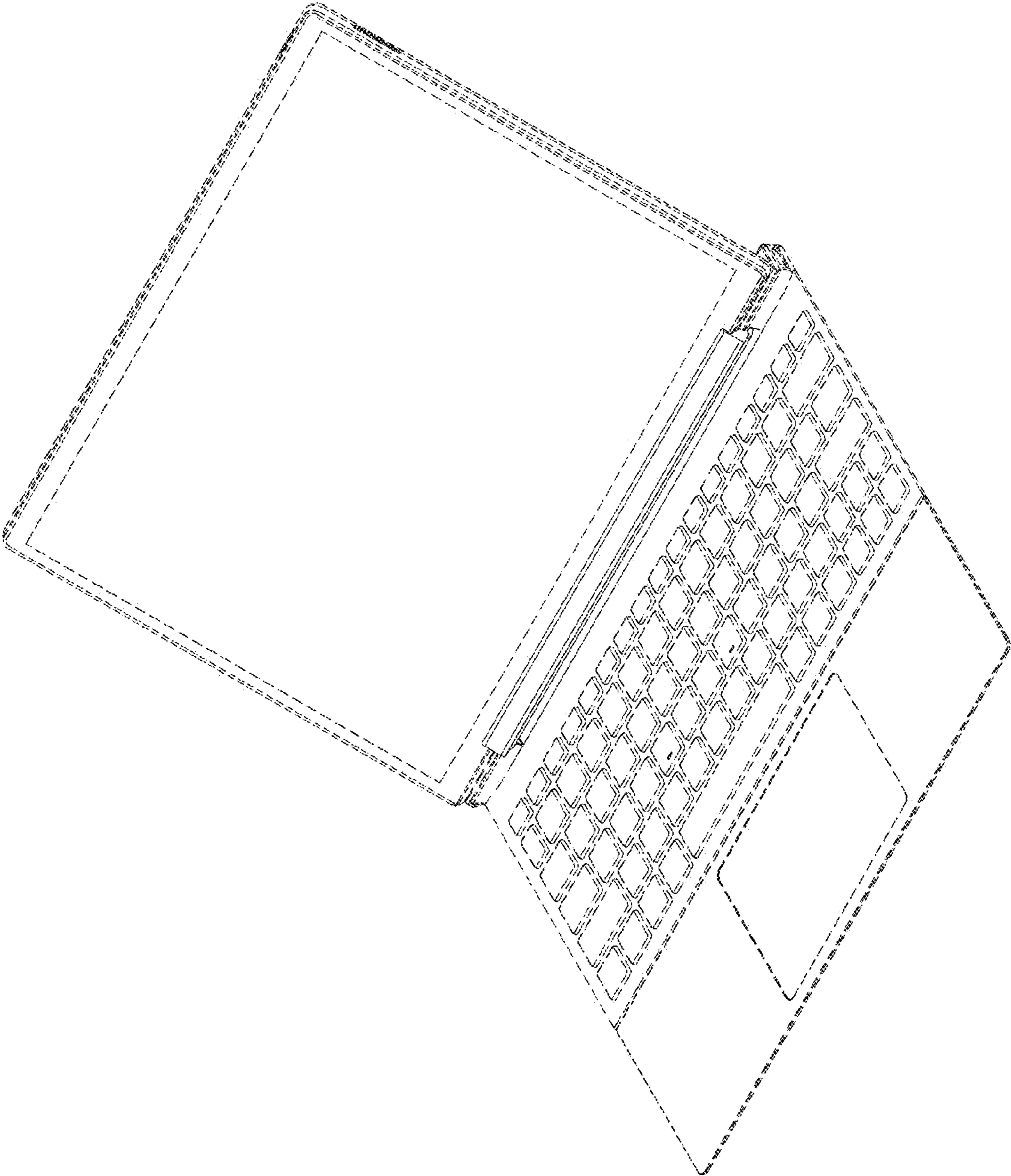


FIG.9

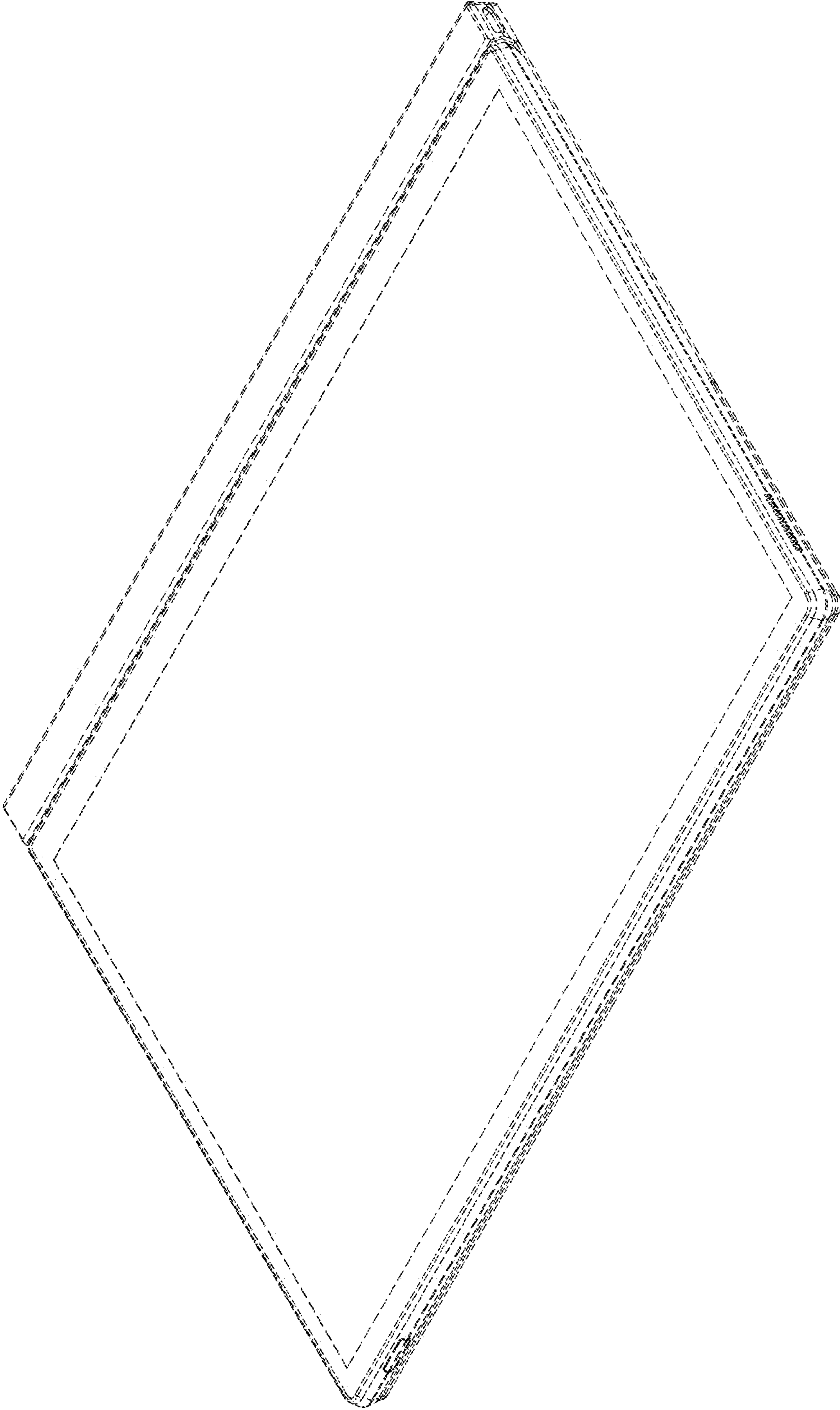


FIG.10