



US00D957397S

(12) **United States Design Patent** (10) **Patent No.:** **US D957,397 S**  
**Thoma et al.** (45) **Date of Patent:** **\*\* Jul. 12, 2022**

(54) **CONNECTOR OF USB INTERFACE**

(71) Applicant: **DENTSPLY SIRONA Inc.**, York, PA (US)

(72) Inventors: **Dieter Thoma**, Einhausen (DE);  
**Giuseppe Coppola**, Astoria, NY (US);  
**Judith Tenzer**, Burgrieden (DE)

(73) Assignee: **DENTSPLY SIRONA INC.**, York, PA (US)

(\*\*) Term: **15 Years**

(21) Appl. No.: **29/748,809**

(22) Filed: **Sep. 1, 2020**

(51) **LOC (13) Cl.** ..... **14-02**

(52) **U.S. Cl.**  
USPC ..... **D14/433**

(58) **Field of Classification Search**  
USPC .... D14/356, 432-434, 453, 454, 511, 203.8,  
D14/209.1, 238.1, 240, 125; 439/638,  
439/928, 105, 502; 710/303, 304;  
361/679.41, 679.55, 679.56; D13/110,  
D13/133, 146  
CPC ..... H01R 24/64; H01R 24/62; H01R 12/714;  
H01R 13/506; H01R 13/6658

See application file for complete search history.

(56) **References Cited**

**U.S. PATENT DOCUMENTS**

D551,626 S \* 9/2007 Ho ..... D13/147  
D627,302 S \* 11/2010 Lin ..... D13/147

D737,202 S \* 8/2015 Liu ..... D14/480.1  
D824,332 S \* 7/2018 Ackerman ..... D13/117  
D829,218 S \* 9/2018 Wang ..... D14/480.1  
D864,120 S \* 10/2019 Forrest ..... D13/147  
D889,472 S \* 7/2020 Laine ..... D14/433  
D890,708 S \* 7/2020 Forrest ..... D13/147  
D894,905 S \* 9/2020 Liu ..... D14/433  
D904,417 S \* 12/2020 Cueto ..... D14/240  
D912,675 S \* 3/2021 Kim ..... D13/153  
D935,418 S \* 11/2021 Zhang ..... D14/433  
D937,838 S \* 12/2021 Laine ..... D14/433

\* cited by examiner

*Primary Examiner* — Austin Murphy

(74) *Attorney, Agent, or Firm* — Dentsply Sirona Inc.

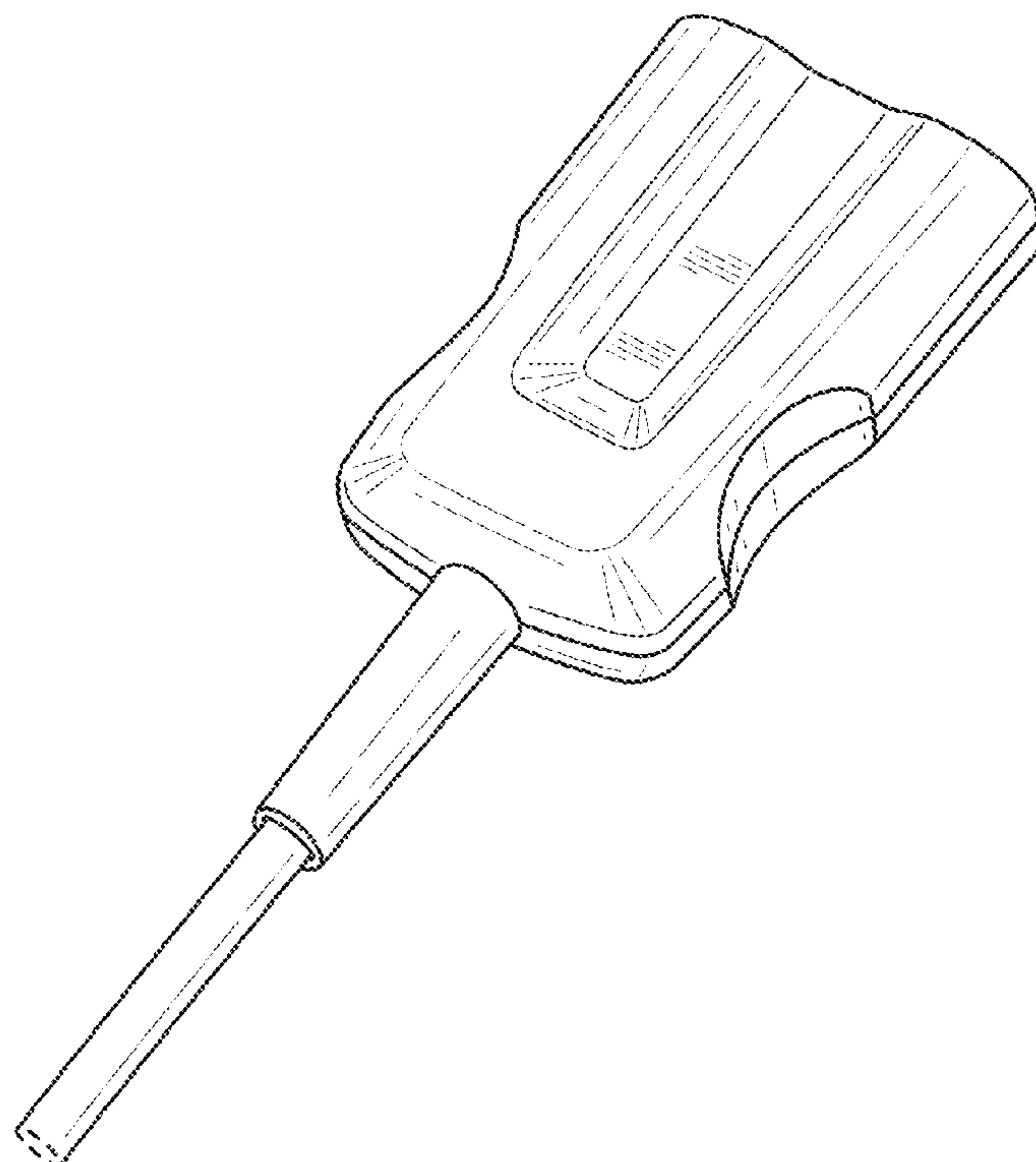
(57) **CLAIM**

The ornamental design for a connector of an USB interface, as shown and described.

**DESCRIPTION**

FIG. 1 is an isometric view of a connector of an USB interface showing our new design;  
FIG. 2 is a top view thereof;  
FIG. 3 is a bottom view thereof;  
FIG. 4 is a front view thereof;  
FIG. 5 is a rear view thereof;  
FIG. 6 is a first side view thereof; and,  
FIG. 7 is a second side view thereof.

**1 Claim, 4 Drawing Sheets**



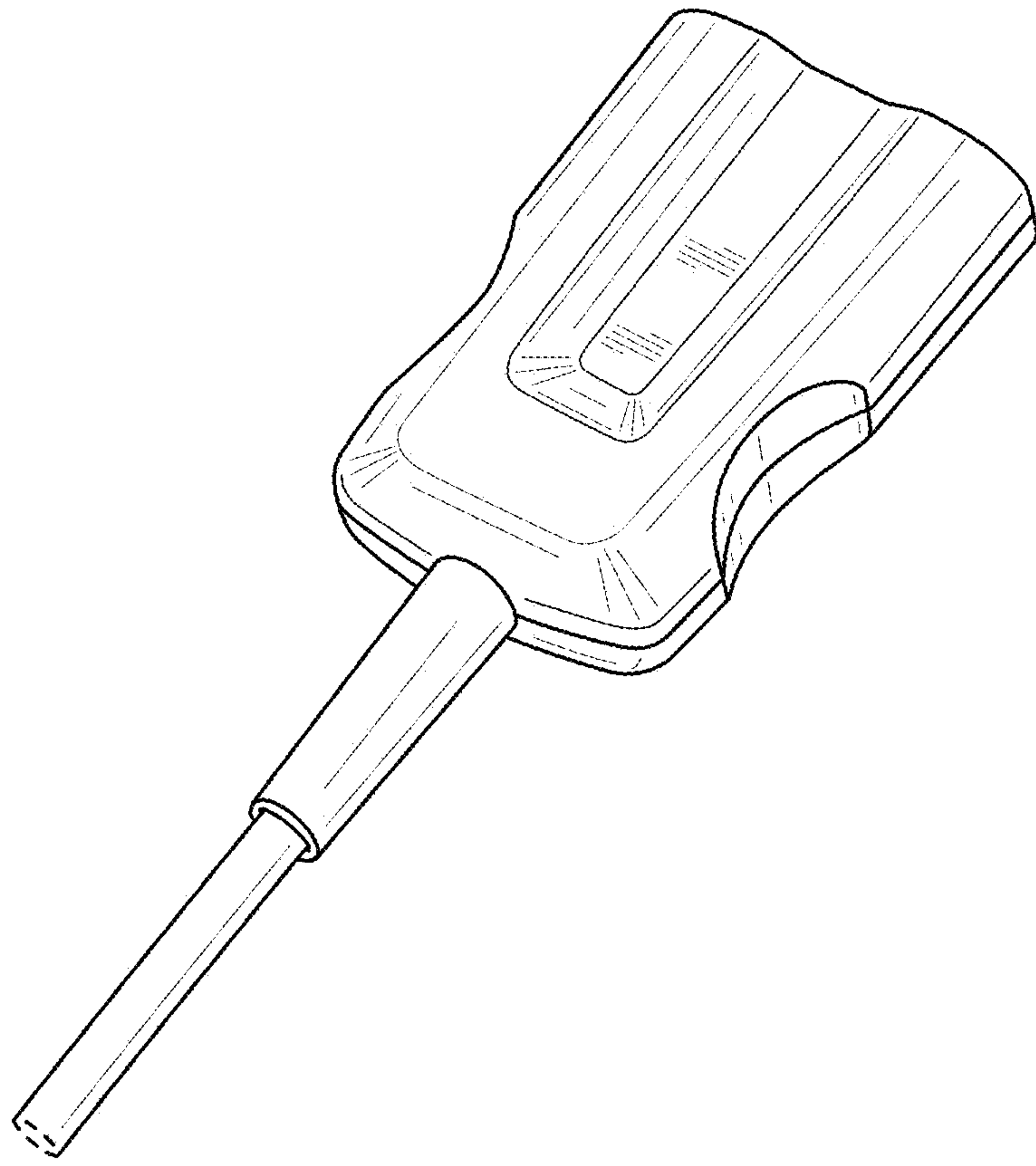


FIG. 1

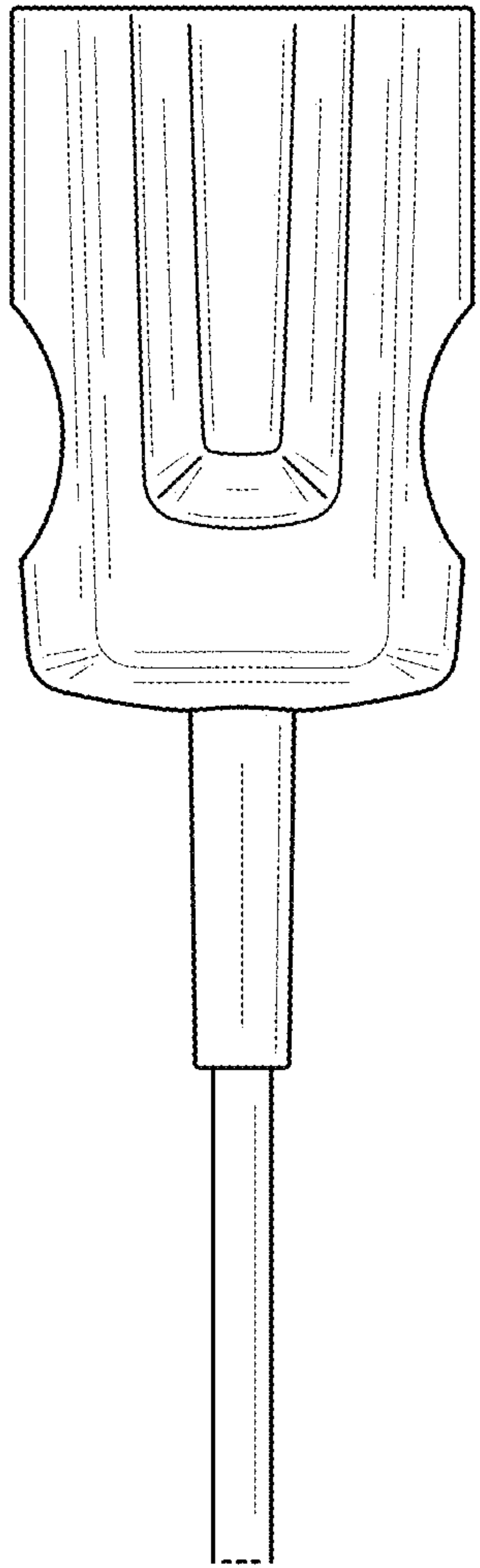


FIG. 2

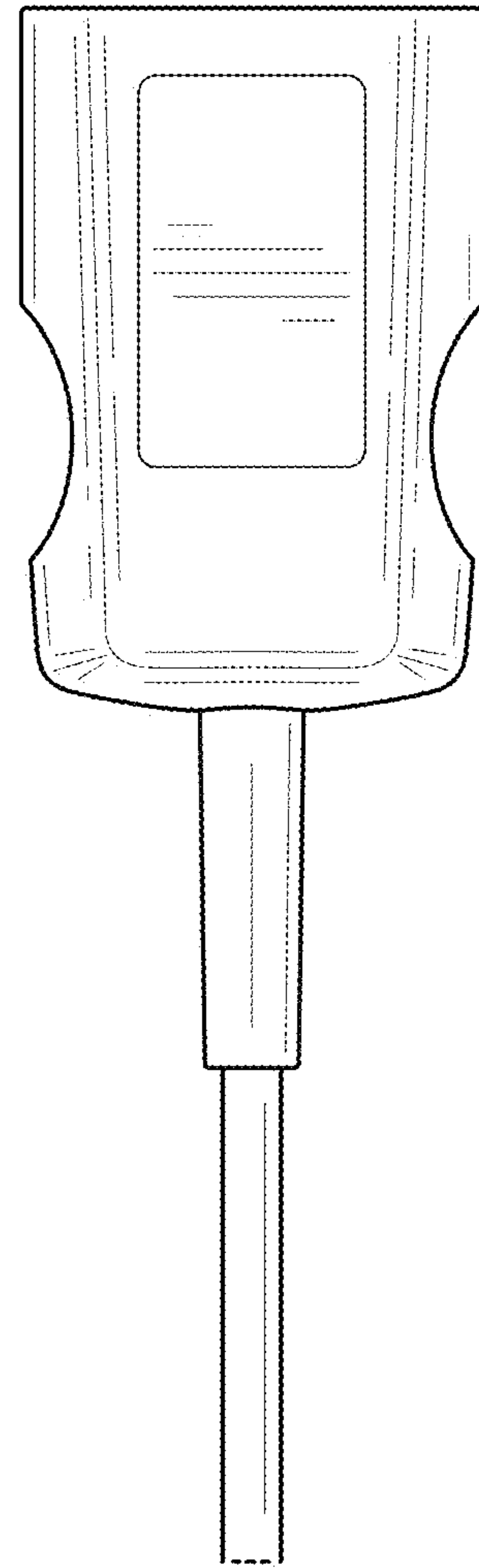


FIG. 3

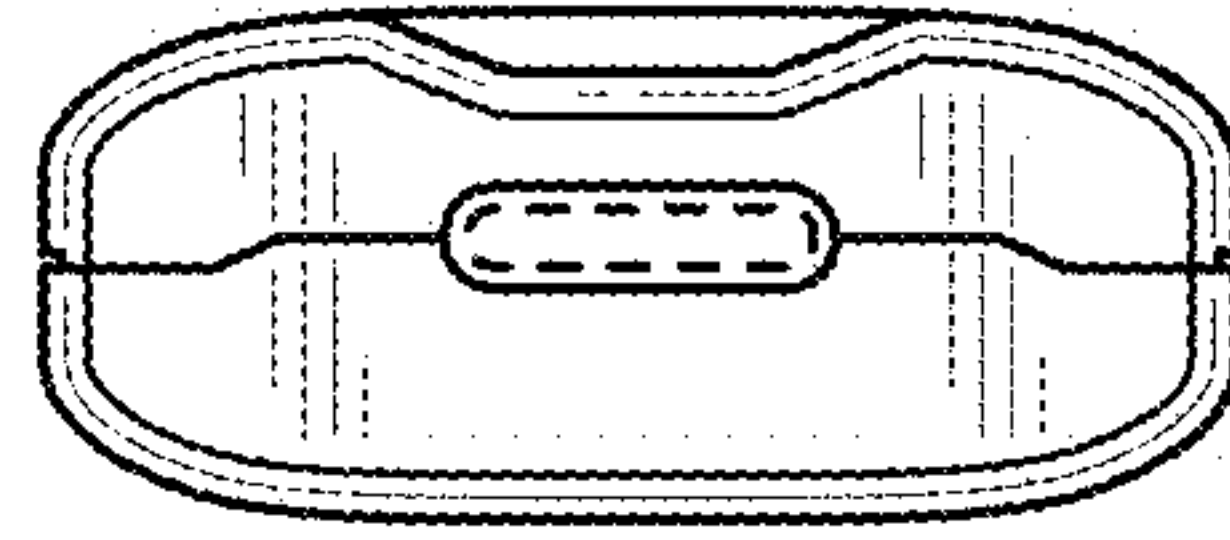


FIG. 4

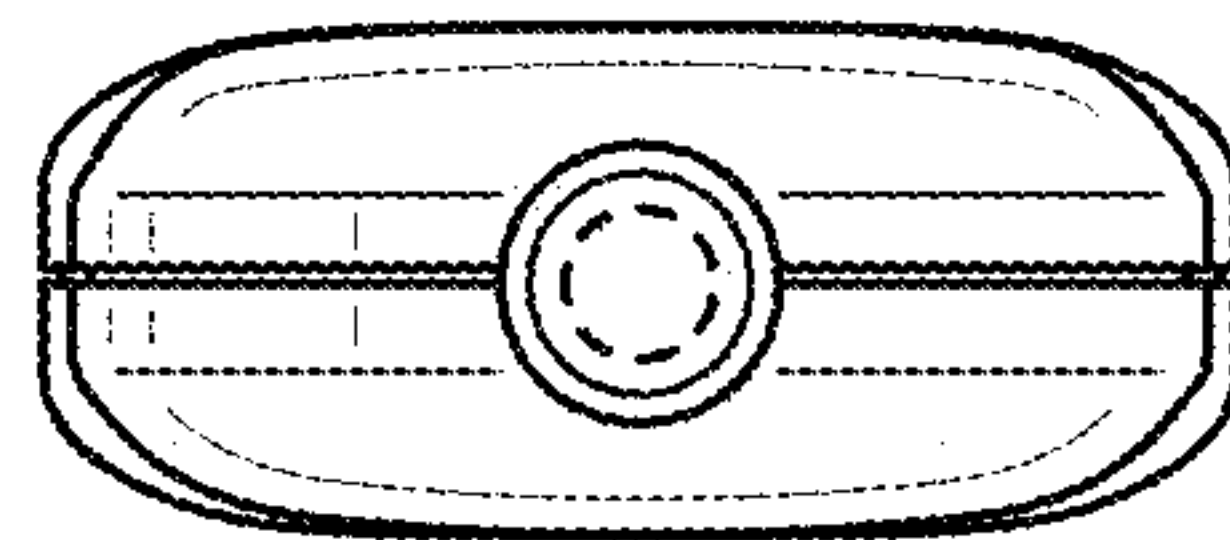


FIG. 5

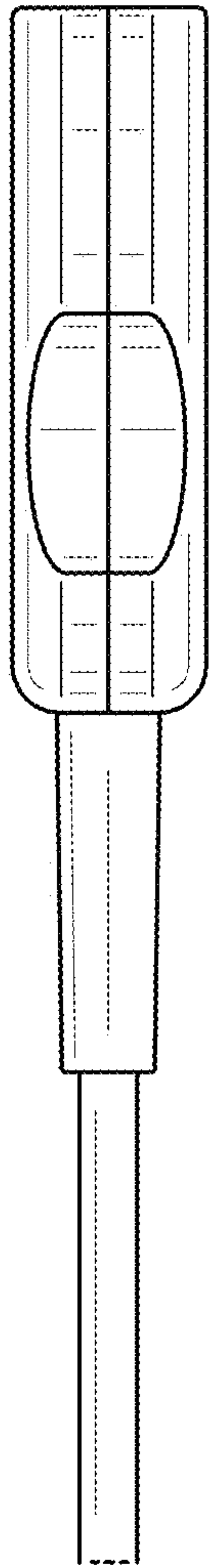


FIG. 6

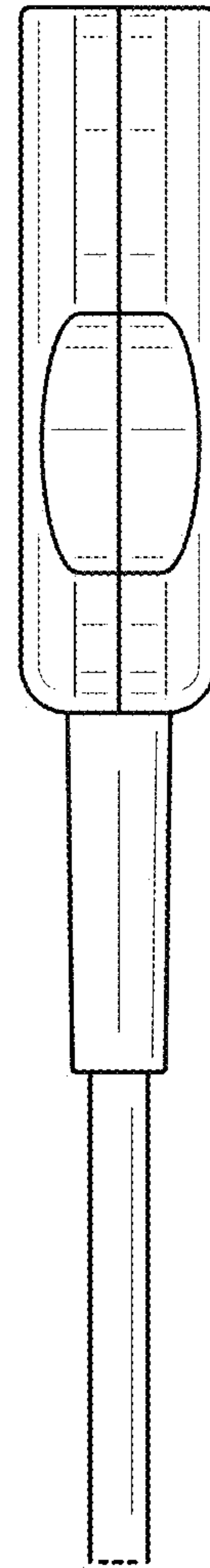


FIG. 7