



US00D957395S

(12) **United States Design Patent** (10) **Patent No.:** **US D957,395 S**  
**Tanaka** (45) **Date of Patent:** **\*\* Jul. 12, 2022**

(54) **SCANNER**

(71) Applicant: **BROTHER INDUSTRIES, LTD.**,  
Nagoya (JP)

(72) Inventor: **Nozomi Tanaka**, Nagoya (JP)

(73) Assignee: **BROTHER INDUSTRIES, LTD.**,  
Nagoya (JP)

(\*\*) Term: **15 Years**

(21) Appl. No.: **29/765,309**

(22) Filed: **Jan. 7, 2021**

(30) **Foreign Application Priority Data**

Jul. 7, 2020 (JP) ..... 2020-013814 D

(51) **LOC (13) Cl.** ..... **14-02**

(52) **U.S. Cl.**  
USPC ..... **D14/422**

(58) **Field of Classification Search**  
USPC ..... D14/421-425; D18/55, 49, 46, 40,  
D18/36-39, 41, 44-56, 34.3; 235/462,  
235/455, 470, 462.43, 482, 483; 358/474,  
358/486, 488, 496, 498, 452, 449, 451,  
358/453.1, 1.13, 1.16; 318/685, 696;  
355/81, 75; 399/405, 367, 379, 380;  
382/217; 715/209, 222, 226, 274;  
400/613, 613.1-613.4, 690.1-690.4,  
400/691-694; 271/264, 127, 131, 117,  
271/118, 162

CPC ..... H04N 1/00; H04N 1/12; H04N 1/00013;  
H04N 1/00015; H04N 1/00018; H04N  
1/00026; H04N 1/00557; H04N 1/00564;  
H04N 1/00567; H04N 1/0057; H04N  
1/00572; H04N 1/00586; H04N 1/00588;  
H04N 1/00591; H04N 1/00594; H04N  
1/00596; H04N 1/00604; H04N 1/00519;  
H04N 1/00559; H04N 1/1013; H04N  
1/10; H04N 1/00551; H04N 1/00278;  
H04N 2201/0081; H04N 2201/0456;  
H04N 2201/0446; H04N 2201/00; H04N

2201/0094; H04N 1/00525; H04N  
1/0049; H04N 1/00493; H04N 1/00496;  
H04N 1/00527; H04N 1/0053; H04N  
1/00533; H04N 1/00535; H04N 1/00538;  
H04N 1/00541; H04N 1/00543; H04N  
1/00037; H04N 1/00092; H04N 1/00702;  
H04N 1/02815; H04N 1/4076; H04N  
1/40056; H04N 1/02845; G03G 15/0142;  
G03G 15/605; G03G 15/602; B65H 5/26;  
B65H 5/30; B65H 7/00; B65H 2402/515;  
B65H

(Continued)

(56) **References Cited**

U.S. PATENT DOCUMENTS

D218,991 S \* 10/1970 Allport ..... D18/14  
5,199,695 A \* 4/1993 Nakahata ..... B65H 1/12  
271/9.12

(Continued)

*Primary Examiner* — Susan Moon Lee

(74) *Attorney, Agent, or Firm* — Oliff PLC

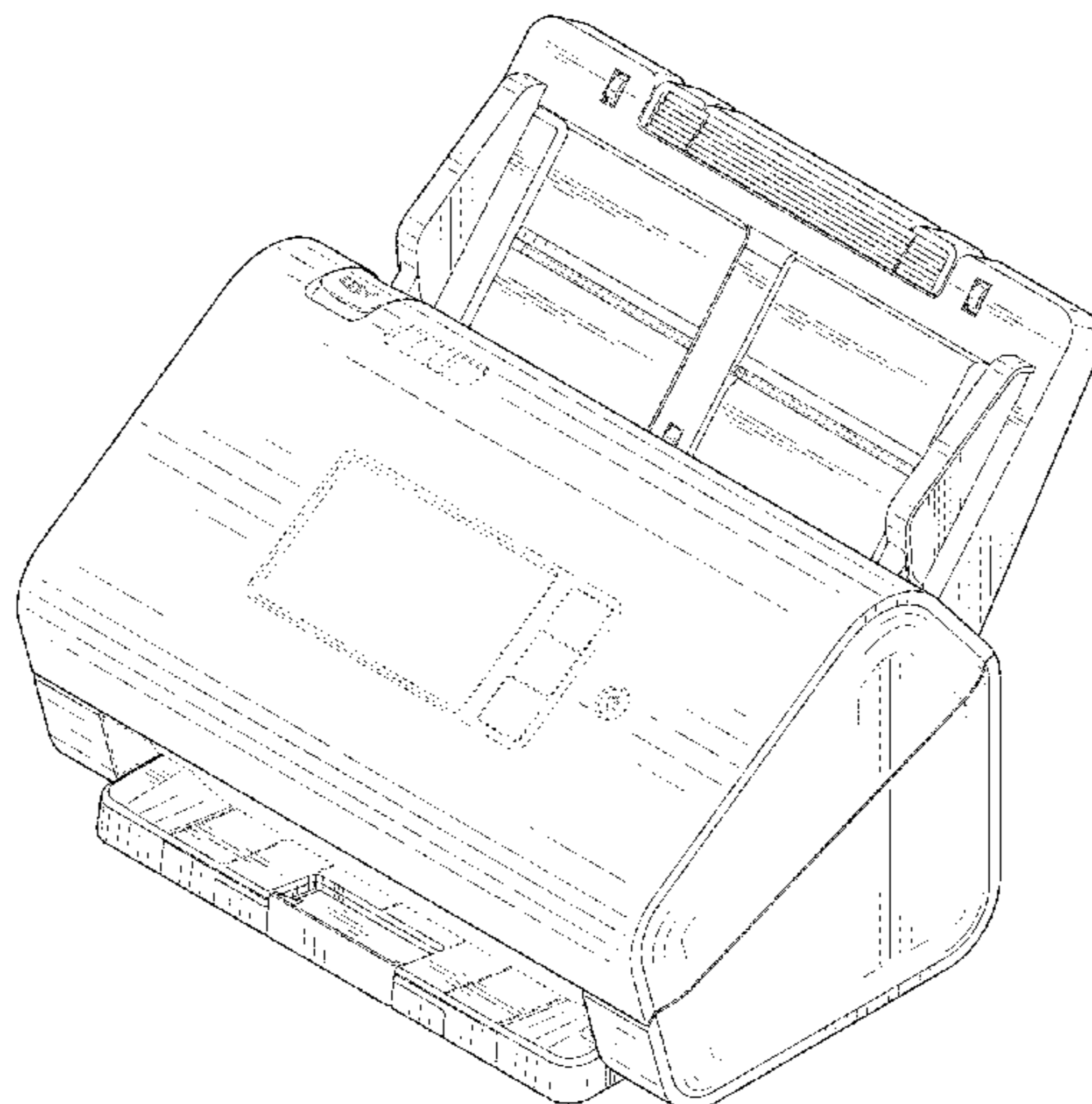
(57) **CLAIM**

The ornamental design for a scanner, as shown and described.

**DESCRIPTION**

FIG. 1 is a perspective view of a scanner;  
FIG. 2 is a front elevational view thereof;  
FIG. 3 is a rear elevational view thereof;  
FIG. 4 is a left-side elevational view thereof;  
FIG. 5 is a right-side elevational view thereof;  
FIG. 6 is a top plan view thereof;  
FIG. 7 is a bottom plan view thereof; and,  
FIG. 8 is a reduced perspective view thereof in an alternate position.  
The evenly spaced broken lines depict unclaimed parts of the scanner and form no part of the claimed design.

**1 Claim, 8 Drawing Sheets**





(56)

**References Cited**

U.S. PATENT DOCUMENTS

2018/0179006 A1\* 6/2018 Kogi ..... B65H 7/14  
2018/0194579 A1\* 7/2018 Harada ..... B65H 3/523

\* cited by examiner

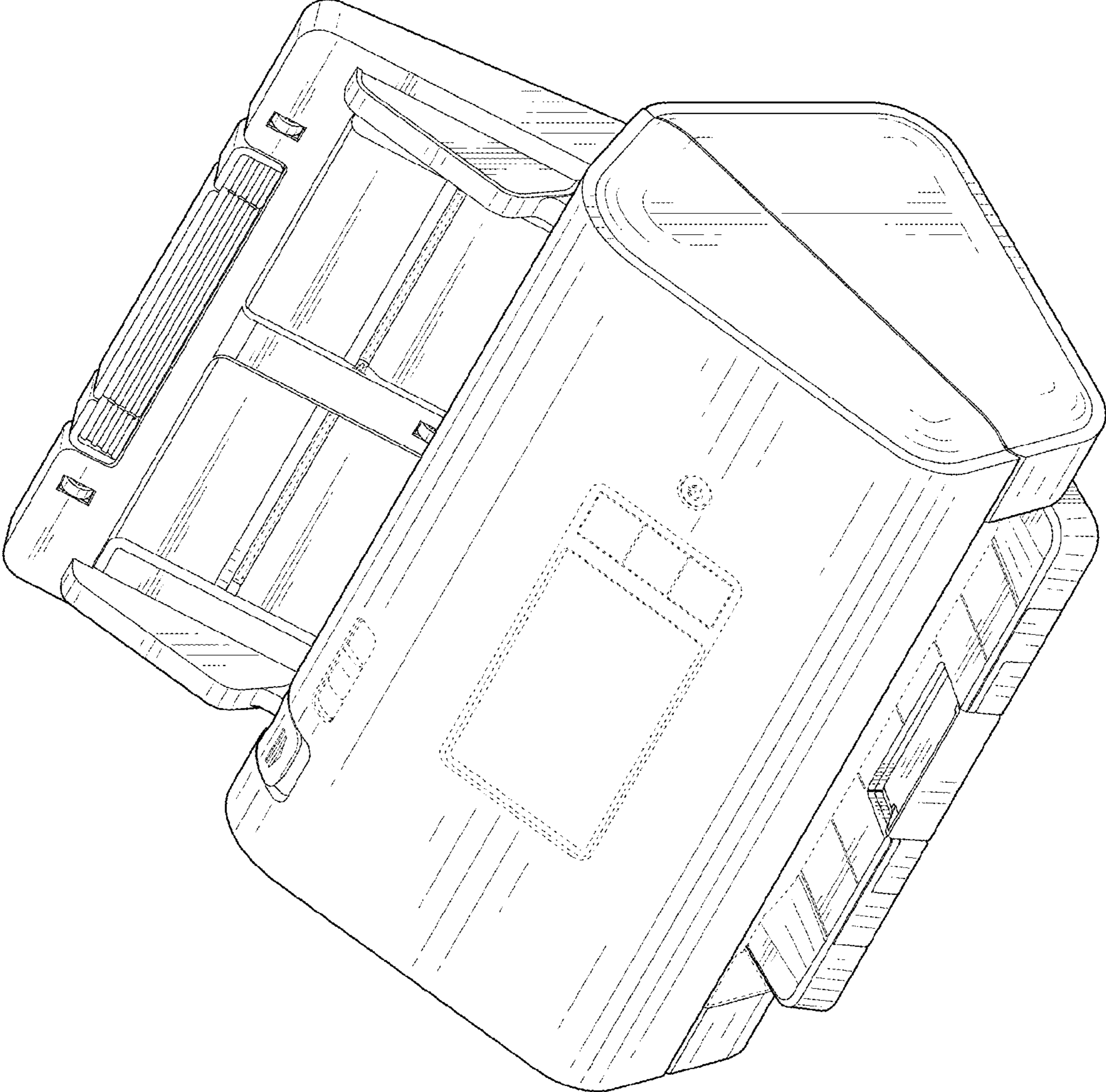


FIG. 1

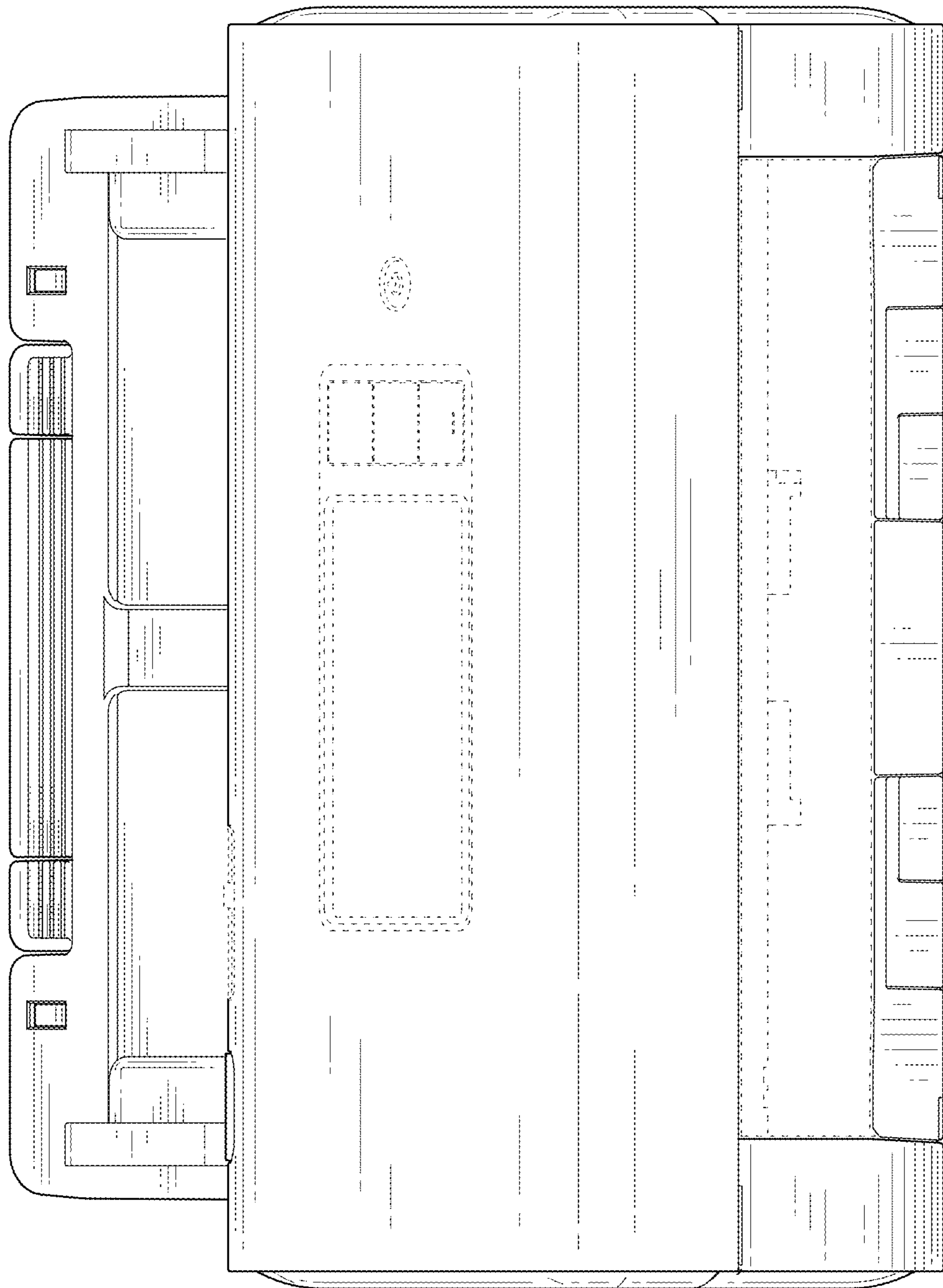


FIG. 2

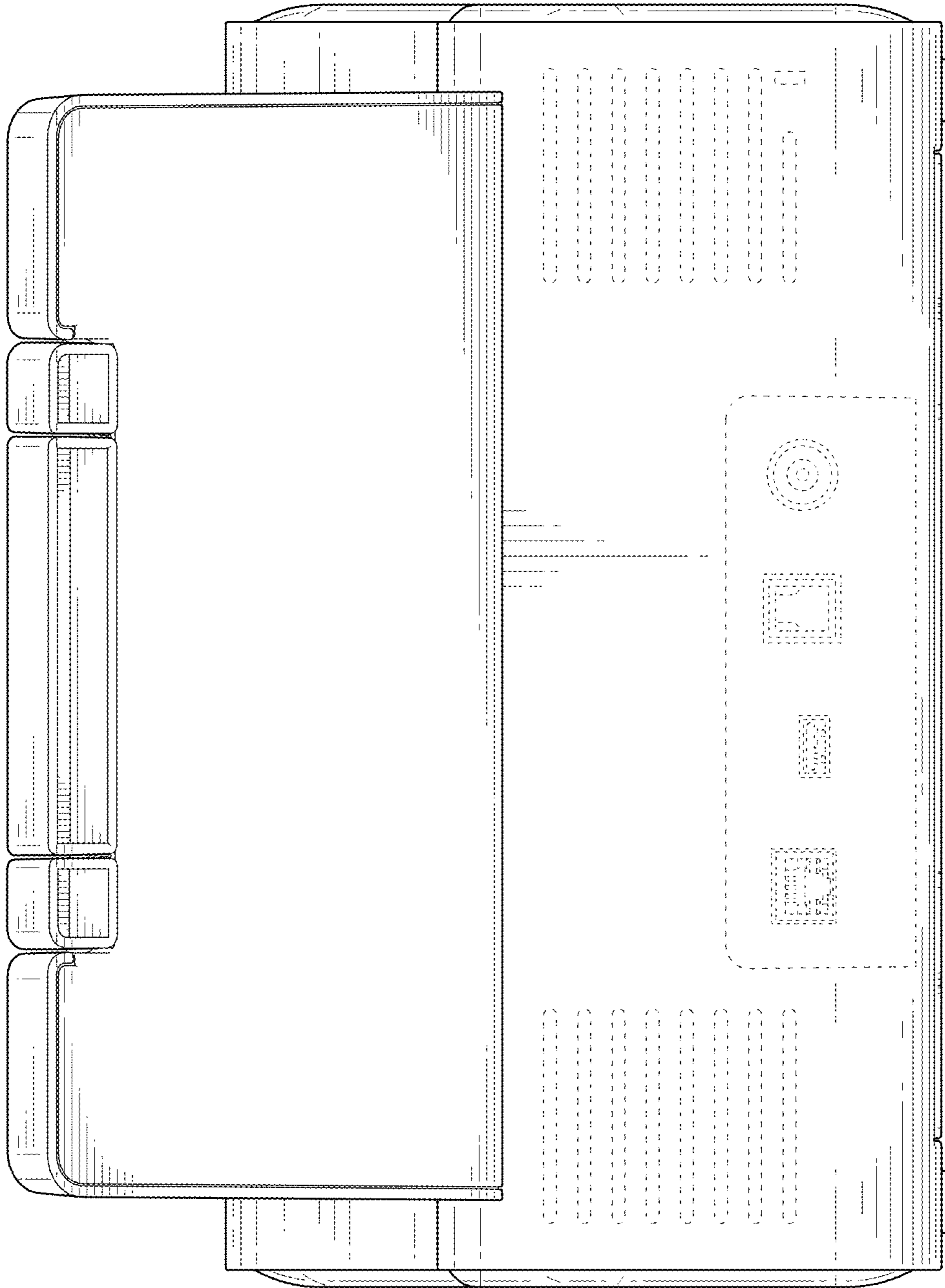


FIG. 3

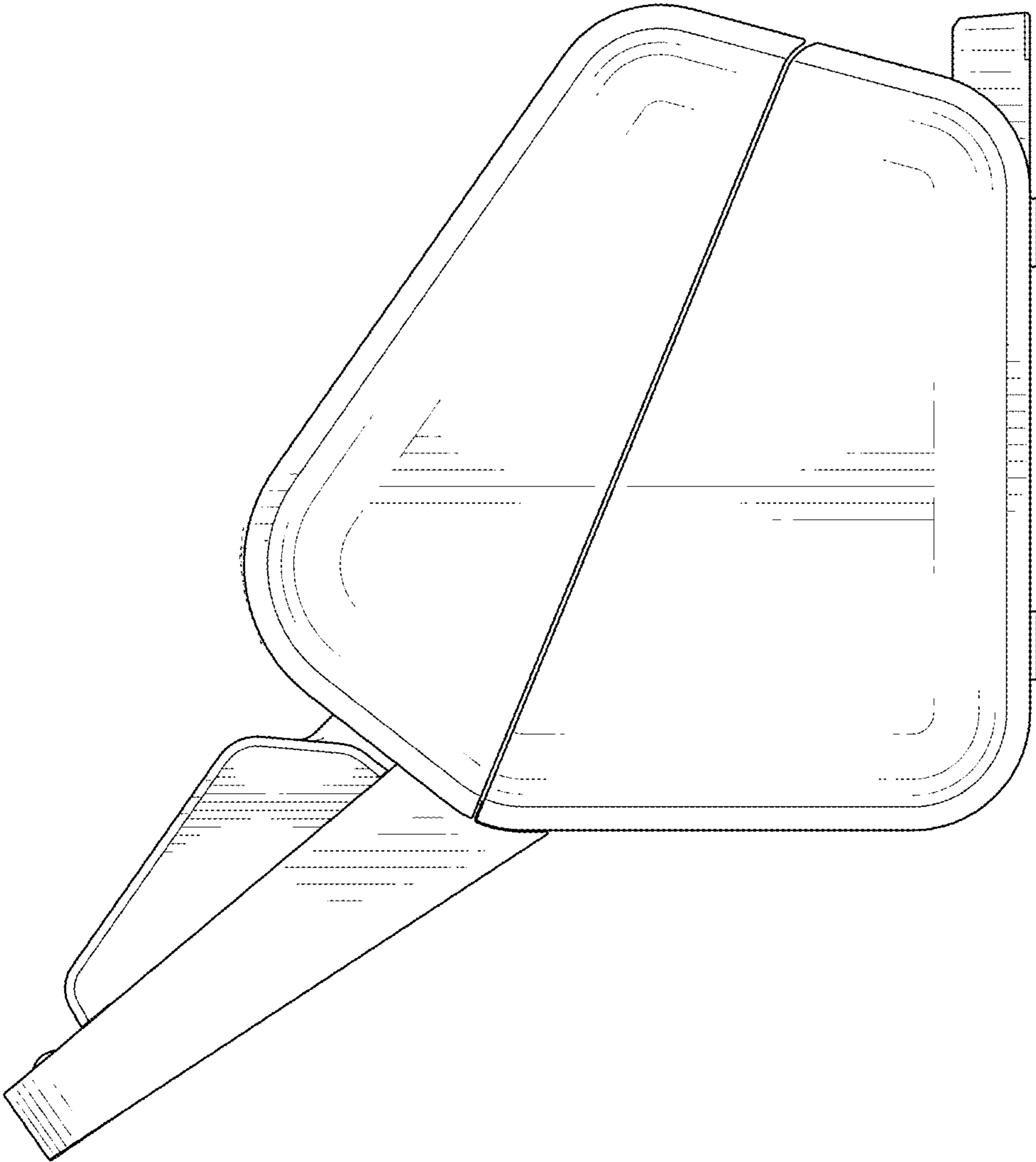


FIG. 4

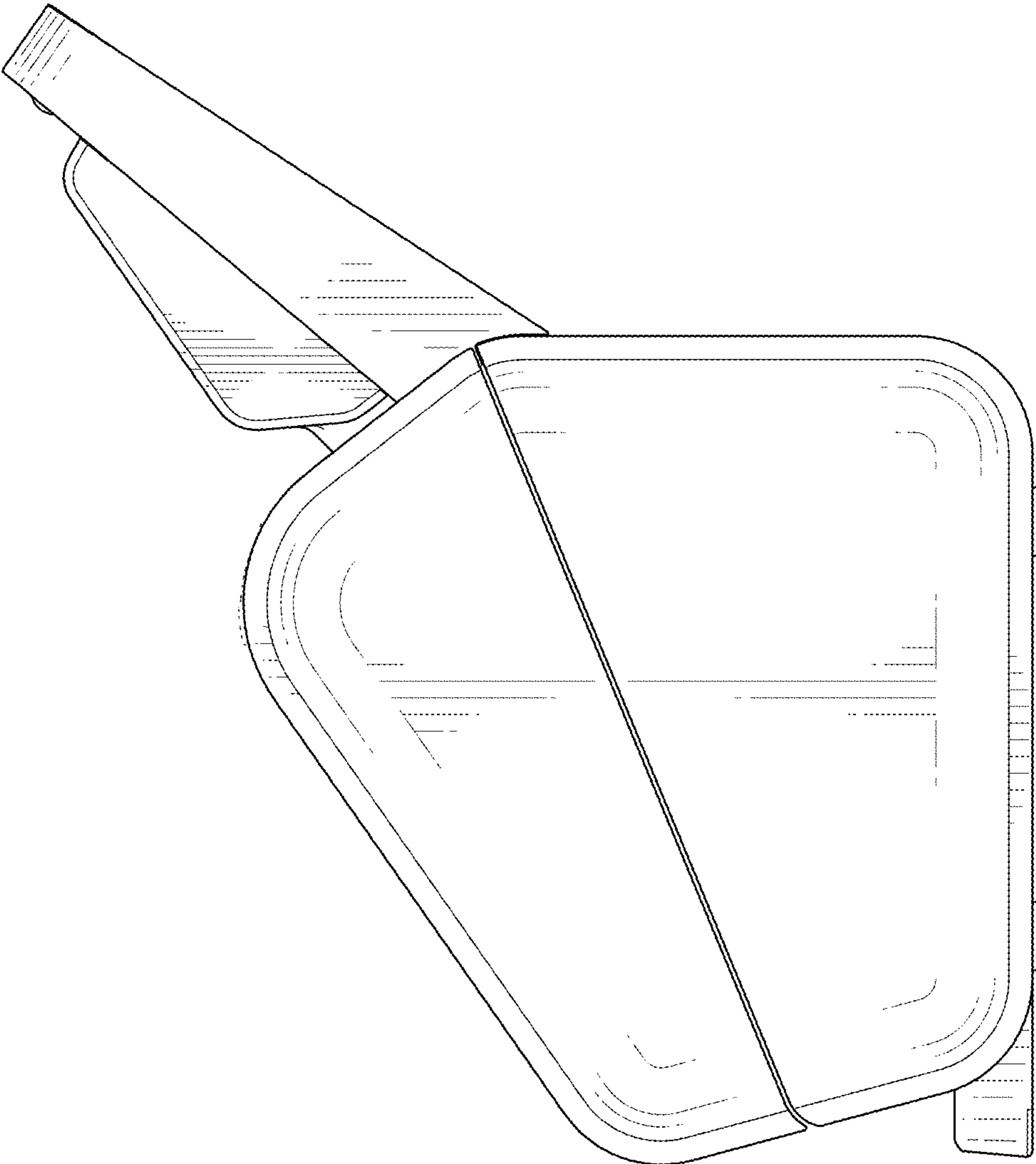


FIG. 5



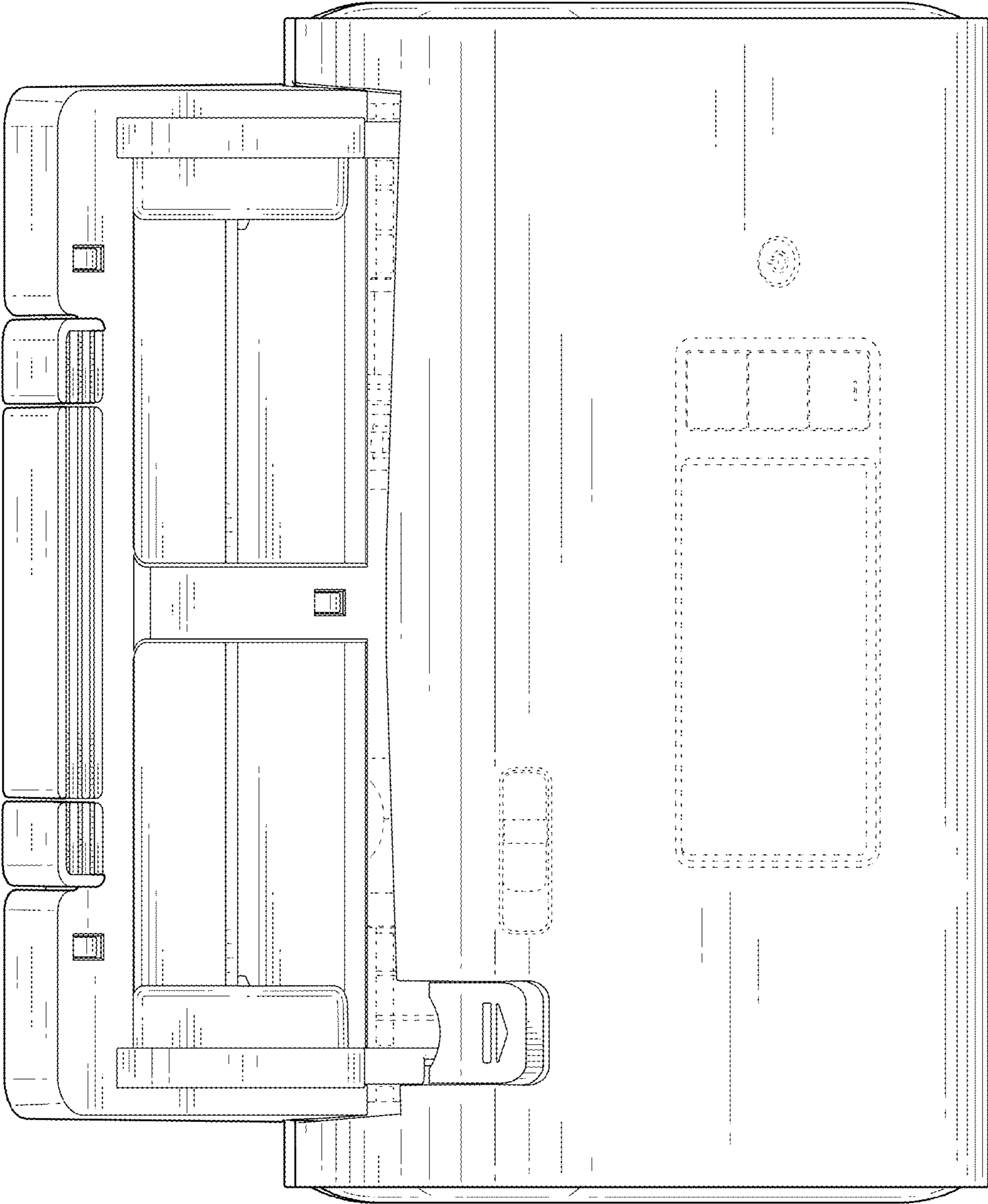


FIG. 6

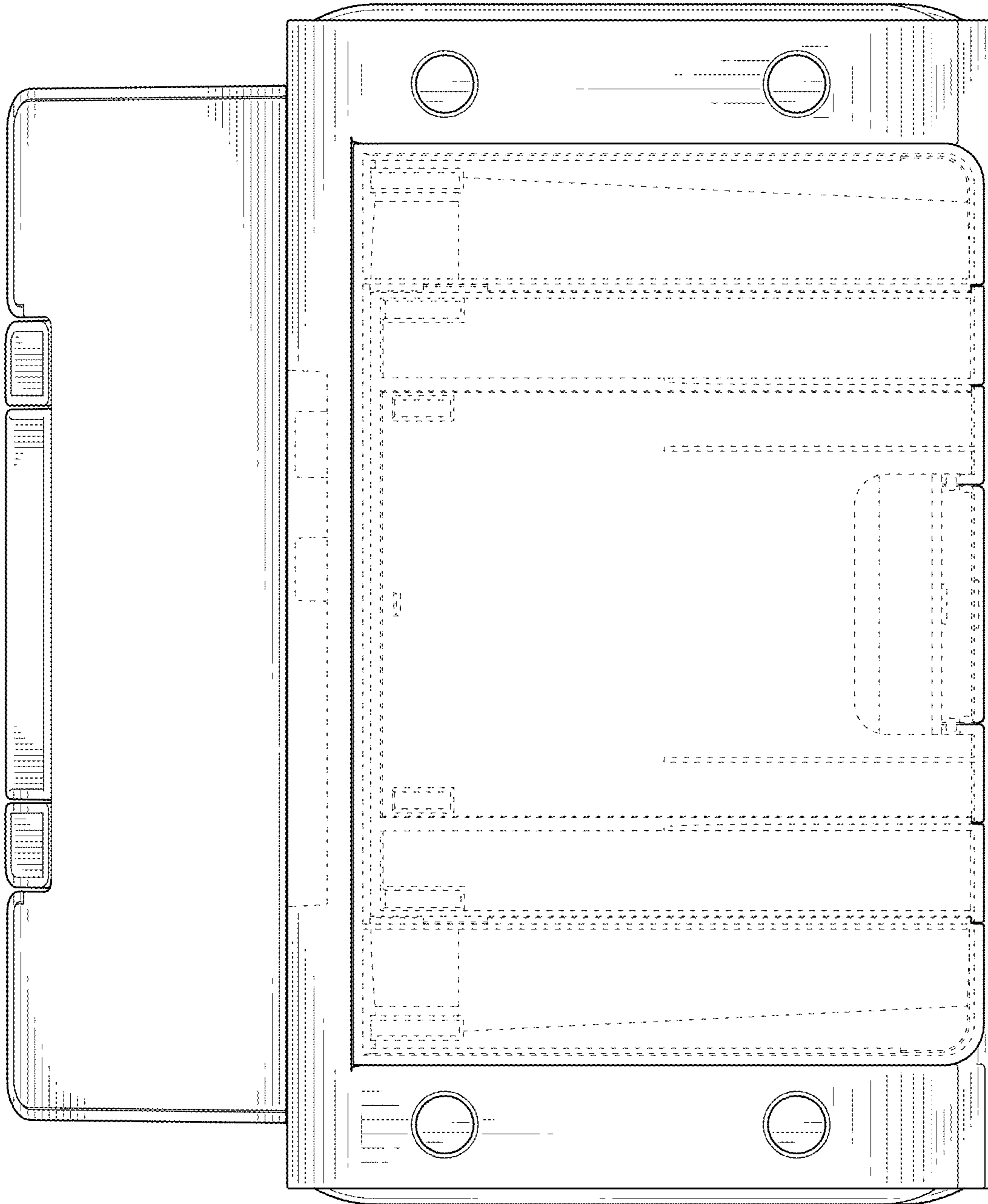


FIG. 7

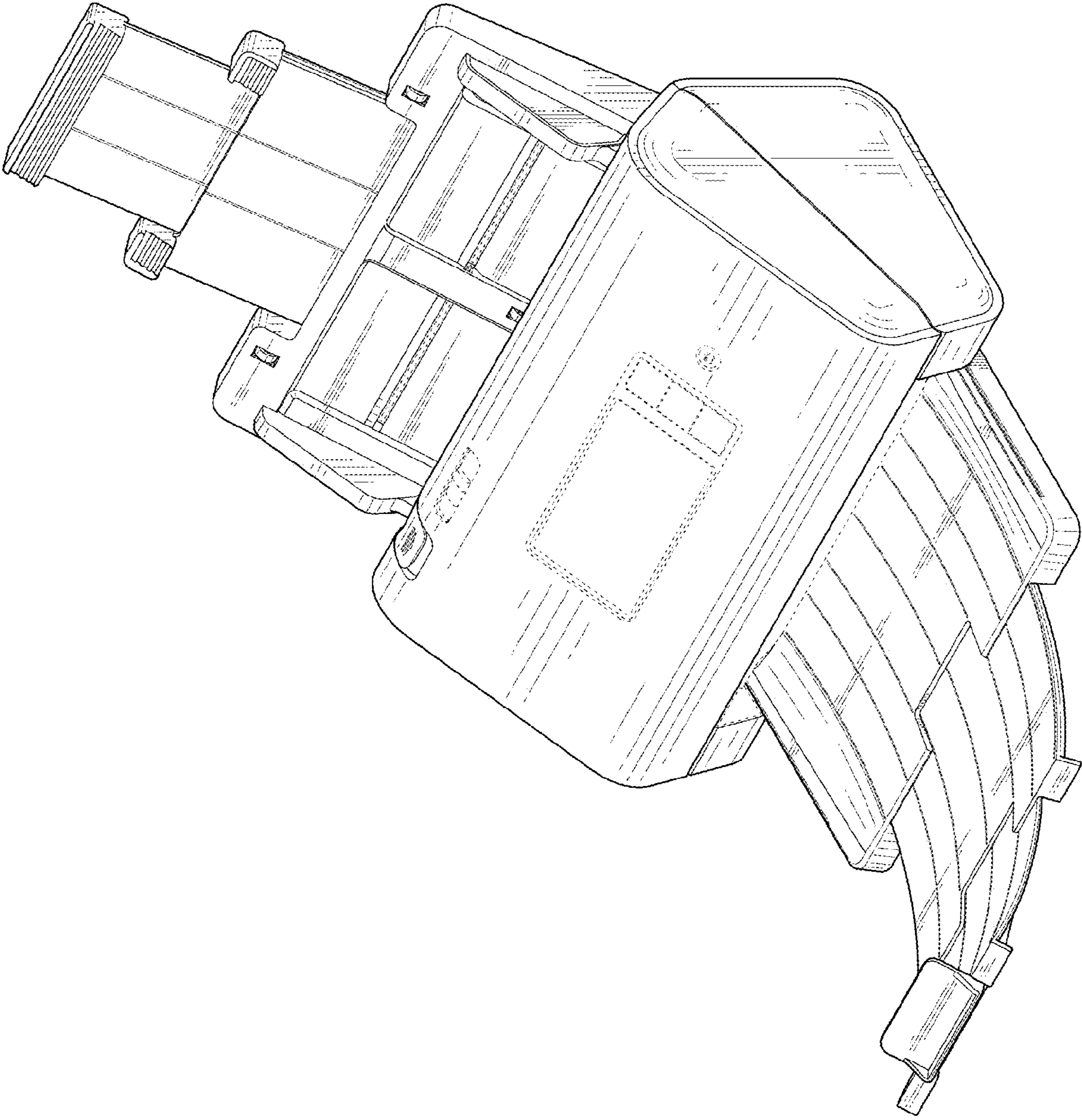


FIG. 8