



US00D957393S

(12) **United States Design Patent**
Jiang et al.

(10) **Patent No.:** **US D957,393 S**
(45) **Date of Patent:** **** Jul. 12, 2022**

(54) **MONITOR**

(71) Applicant: **Wistron Corporation**, New Taipei (TW)

(72) Inventors: **Zexiong Jiang**, New Taipei (TW);
Jingyang Liang, New Taipei (TW);
Yougang Wang, New Taipei (TW);
Wei-Chia Huang, New Taipei (TW)

(73) Assignee: **Wistron Corporation**, New Taipei (TW)

(**) Term: **15 Years**

(21) Appl. No.: **29/709,308**

(22) Filed: **Oct. 14, 2019**

(30) **Foreign Application Priority Data**

Aug. 7, 2019 (TW) 108304684

(51) **LOC (13) Cl.** **14-02**

(52) **U.S. Cl.**
USPC **D14/374**

(58) **Field of Classification Search**
USPC D14/126, 129, 130, 132, 133, 159, 239,
D14/307, 336, 371, 372, 374, 375, 376,
D14/383, 448, 451, 496; D10/46, 65,
D10/104.1, 109.1, 75; D24/138, 107,
D24/184, 169, 216; D20/10, 18, 19, 21,
D20/39

CPC G06F 1/1601; G06F 1/1605; G06F 1/1607;
G06F 1/1637; G06F 1/1642; G06F 1/182;
G06F 1/20; G06F 2200/1612; G06F
3/0421; G06F 3/0428; G06F 3/0488

See application file for complete search history.

(56) **References Cited**

U.S. PATENT DOCUMENTS

D347,840 S * 6/1994 Gale D14/126
D411,842 S * 7/1999 Ota D14/126

D428,415 S * 7/2000 Shibata D14/126
D490,420 S * 5/2004 Solomon D14/341
D532,759 S * 11/2006 Park D14/126
D620,905 S * 8/2010 Honda D14/126
D672,770 S * 12/2012 Shih D14/374
D726,717 S * 4/2015 Lee D14/371
D738,334 S * 9/2015 Shin D14/126

(Continued)

FOREIGN PATENT DOCUMENTS

CN 305750899 * 1/2020
CN 306308650 * 2/2021

OTHER PUBLICATIONS

Wistron All-In-One PC. (online) 3 pgs. Image Uploads Oct. 2013.
[retrieved Jan. 21, 2022] <http://www.haapd.com/wistron-all-in-one-pc/> IMG URL: <http://www.haapd.com/wp-content/uploads/2013/10/wistron-image-2-540-by-380.jpg>.*

(Continued)

Primary Examiner — Marie D. Fast Horse
(74) *Attorney, Agent, or Firm* — Winston Hsu

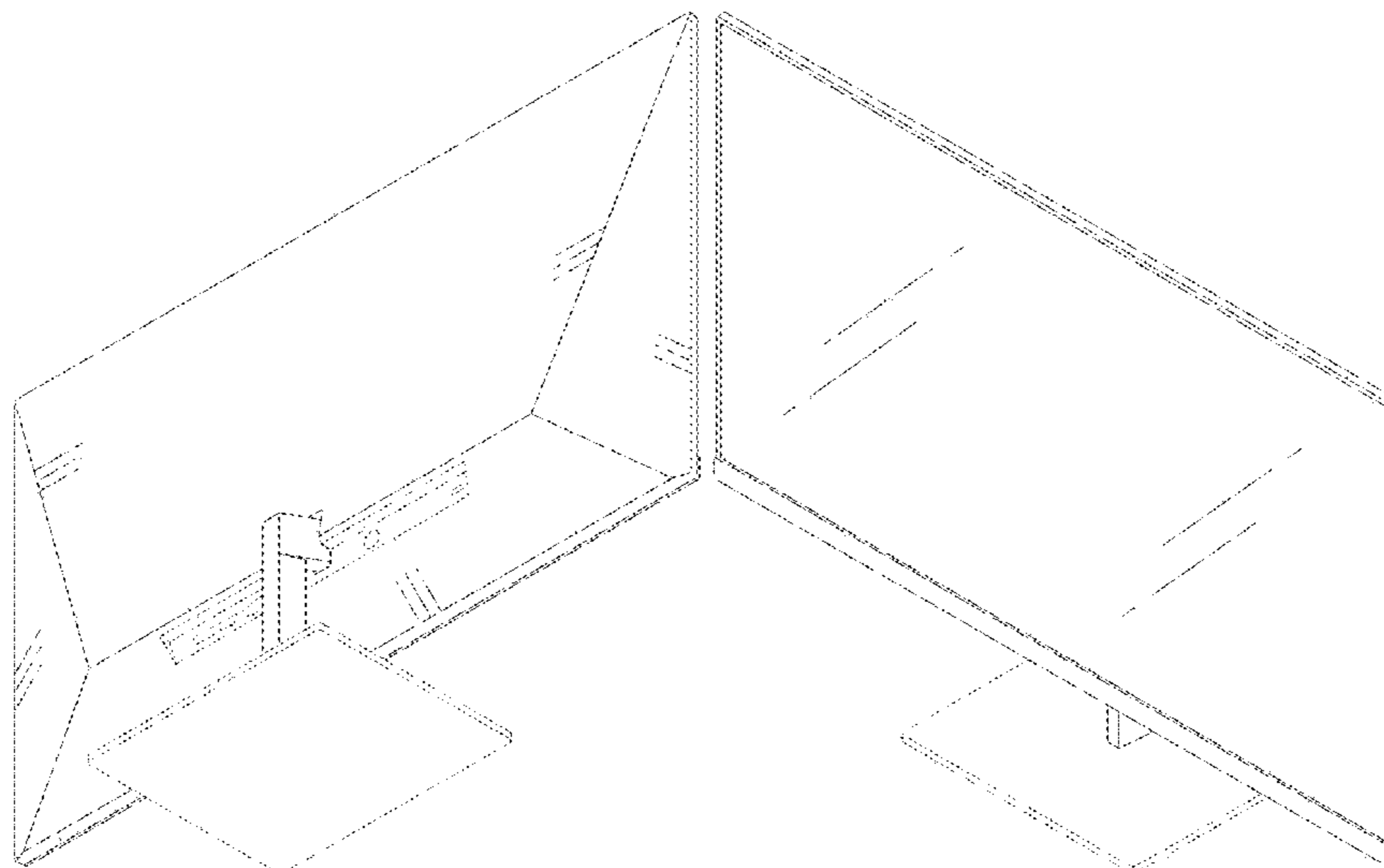
(57) **CLAIM**

The ornamental design for a monitor, as shown and described.

DESCRIPTION

FIG. 1 is a bottom, rear, left side perspective view of a monitor, showing our new design;
FIG. 2 is a top, front, right side perspective view thereof;
FIG. 3 is a front elevation view thereof;
FIG. 4 is a rear elevation view thereof;
FIG. 5 is a left side elevation view thereof;
FIG. 6 is a right side elevation view thereof;
FIG. 7 is a top plan view thereof; and,
FIG. 8 is a bottom plan view thereof.
The broken lines depict portions of the monitor that form no part of the claimed design.

1 Claim, 8 Drawing Sheets



(56)

References Cited

U.S. PATENT DOCUMENTS

D747,717 S * 1/2016 Kim D14/371
 D761,748 S * 7/2016 Han D14/126
 D762,603 S * 8/2016 Han D14/126
 D763,813 S * 8/2016 Lu D14/126
 D791,131 S * 7/2017 Oh D14/374
 9,720,549 B2 * 8/2017 Hou G06F 3/0421
 D797,736 S * 9/2017 Chu D14/374
 D805,511 S * 12/2017 Sun D14/336
 D806,069 S * 12/2017 Peng D14/336
 D816,673 S * 5/2018 Lim D14/374
 D817,329 S * 5/2018 Chu D14/374
 D821,395 S * 6/2018 Thetard D14/374
 D827,644 S * 9/2018 Kim D14/377
 D838,268 S * 1/2019 Little D14/314
 D854,540 S * 7/2019 Kim D14/336
 D873,262 S * 1/2020 Fernando D14/307
 D888,054 S * 6/2020 Tai D14/374
 D895,617 S * 9/2020 Little D14/374
 D899,388 S * 10/2020 Park D14/126
 D918,195 S * 5/2021 Dong D14/307
 D935,457 S * 11/2021 Ryu D14/374
 D938,412 S * 12/2021 Chen D14/307
 D938,950 S * 12/2021 Yoon D14/336
 D941,290 S * 1/2022 Little D14/374
 D945,991 S * 3/2022 Kim D14/336
 D945,997 S * 3/2022 Han D14/374
 D947,174 S * 3/2022 Chu D14/336
 D947,187 S * 3/2022 Han D14/374
 D947,188 S * 3/2022 Ryu D14/374

2010/0053874 A1* 3/2010 Yukawa G06F 1/1601
 361/679.21
 2013/0258609 A1* 10/2013 Ke H05K 5/02
 361/747
 2020/0081482 A1* 3/2020 Huang G06F 1/1601

OTHER PUBLICATIONS

The Best All-in-One Computers, (online) 11 pgs. Image Sep. 6, 2017. [retrieved Jan. 21, 2022] <https://www.gearpatrol.com/tech/a74257/best-all-in-one-desktop-computers/>.*

HP Collaboration G6 All-in-One Computer, (online) 6 pgs. [retrieved Jan. 24, 2022] https://www.officedepot.com/a/products/5441319/HP-Collaboration-G6-All-in-One/?utm_source=google&utm_medium=cpc&mediacampaignid=71700000037439704_1447190395&gclid=EAla1QobChMI-fGr6tXK9QIVh4vICh01dADMEAQYCSABEgKVcPD_BwE&gclidsrc=aw.ds.*

Datasheet—HP ProOne 600 G6 22 All-in-One PC. (online pdf) 4 pgs. Jul. 2, 2020. [retrieved Jan. 24, 2022] <https://www8.hp.com/h20195/v2/GetDocument.aspx?docname=4aa7-7741enuc>.*

Datasheet—HP Collaboration G6 24 All-in-One with Zoom Rooms, (online pdf) 3 pgs. Dec. 2021. [retrieved Jan. 24, 2022] https://cdn.cnetcontent.com/syndication/feeds/hp/inline-content/7F/1/A/3/5/5/1A3551528CA6103F223C3CCBCAF04DB8D68A9B0B_source.PDF.*

HP Pavilion 24-inch All-in-One Computer—24-xa0040. (online) 6 pgs. Available Sep. 23, 2018. [retrieved Jan. 24, 2022] https://www.amazon.com/dp/B07GR4WLB3?ref=emc_p_m_6_i.*

* cited by examiner

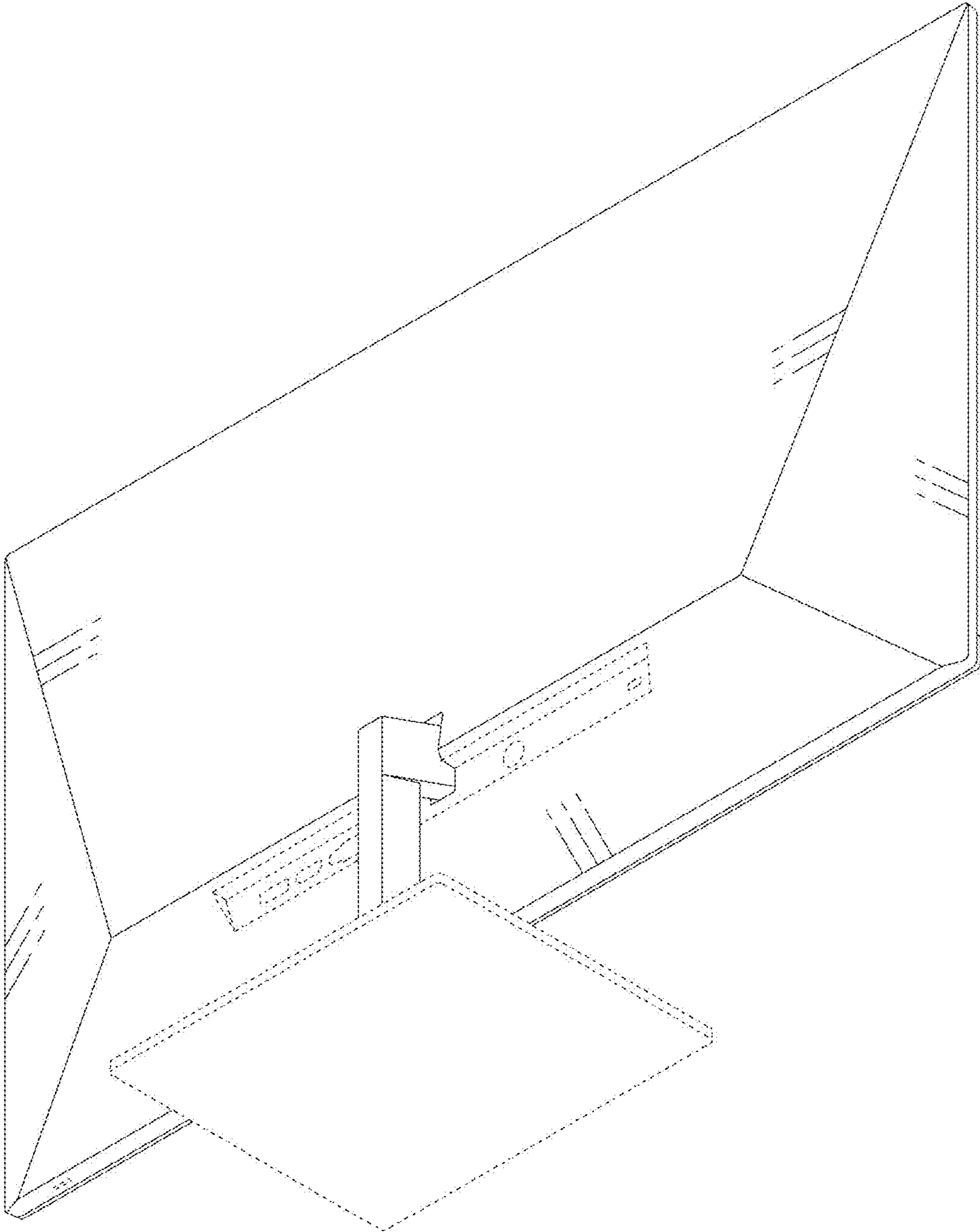


FIG. 1

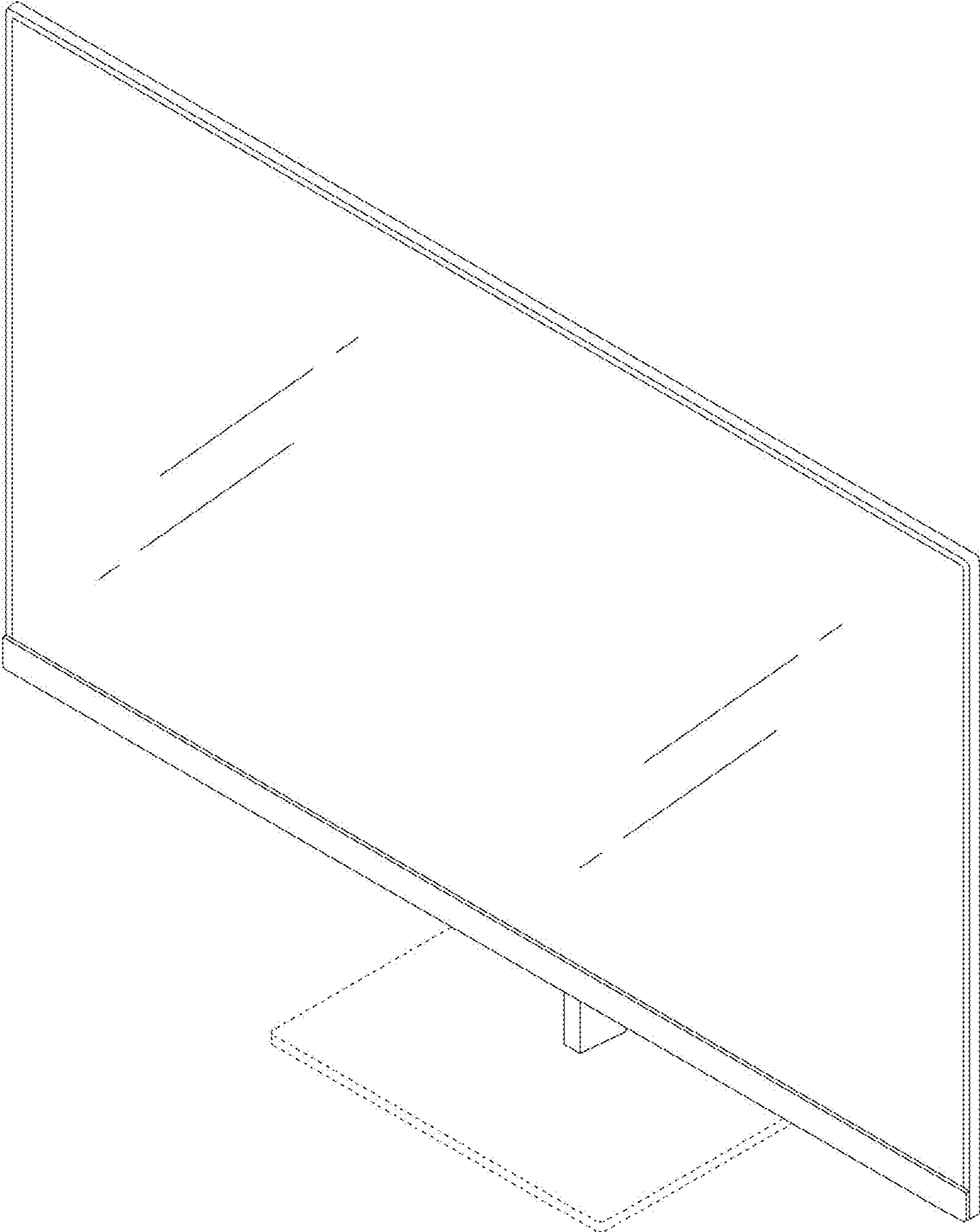


FIG. 2

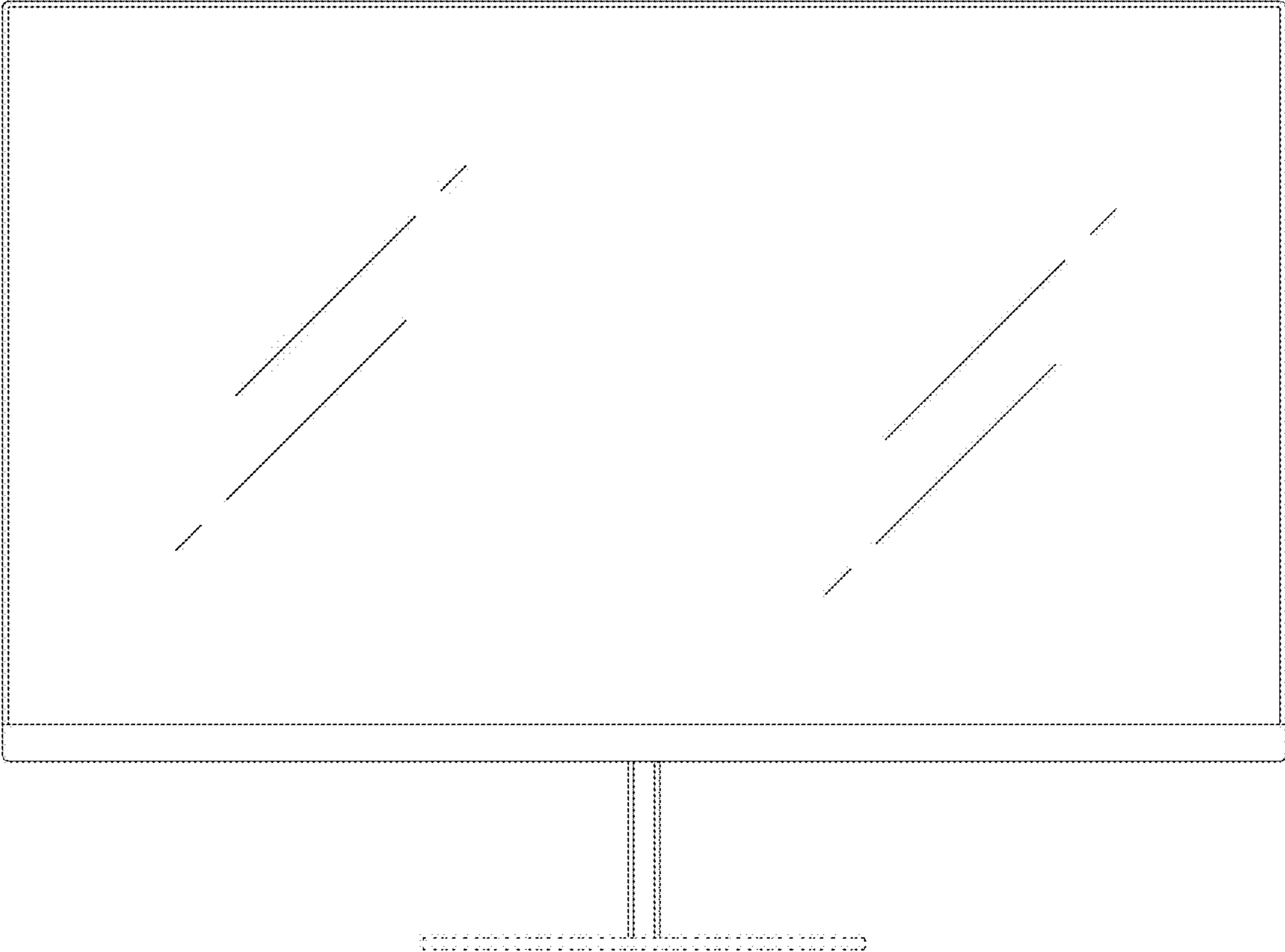


FIG. 3

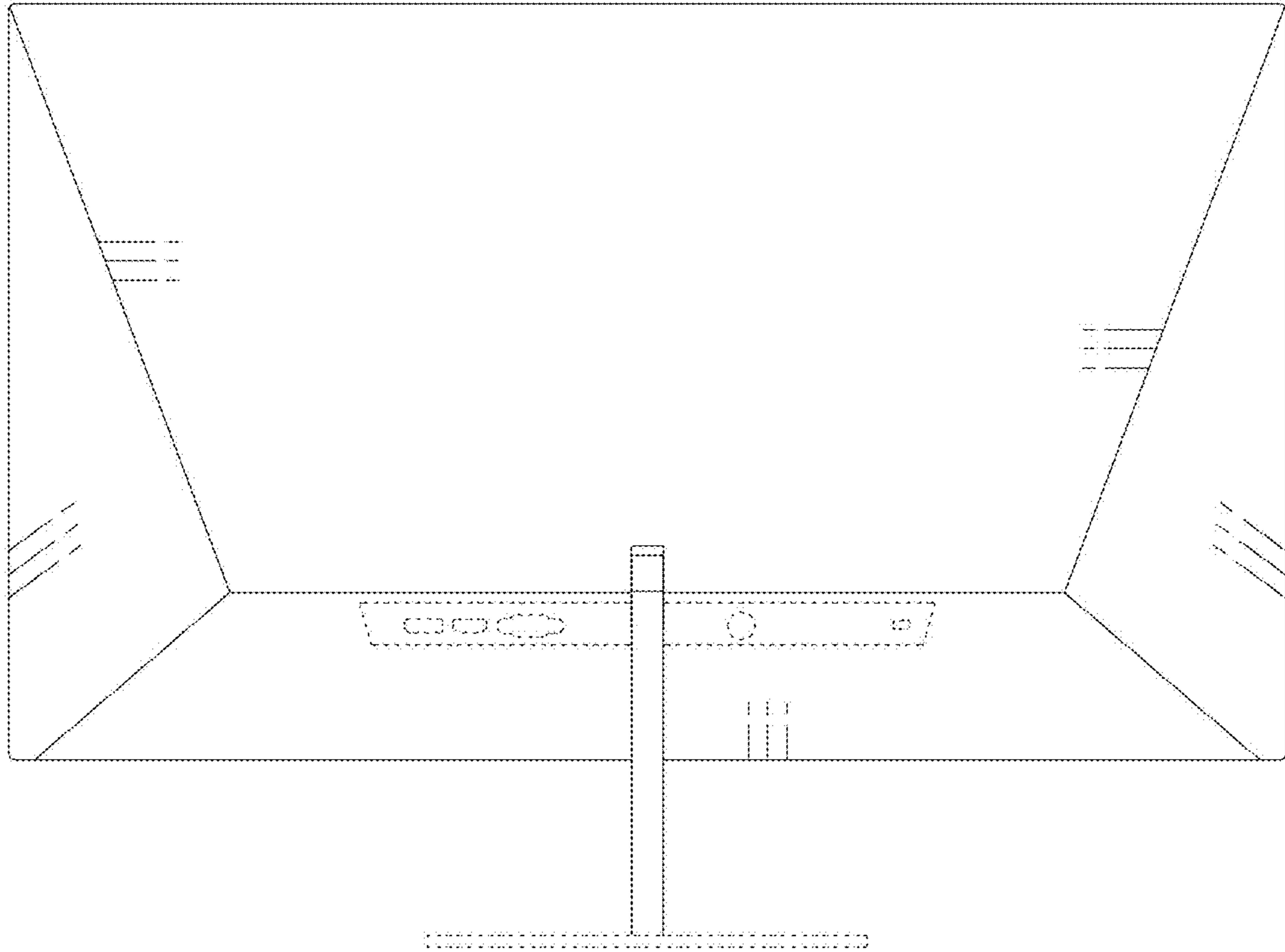


FIG. 4

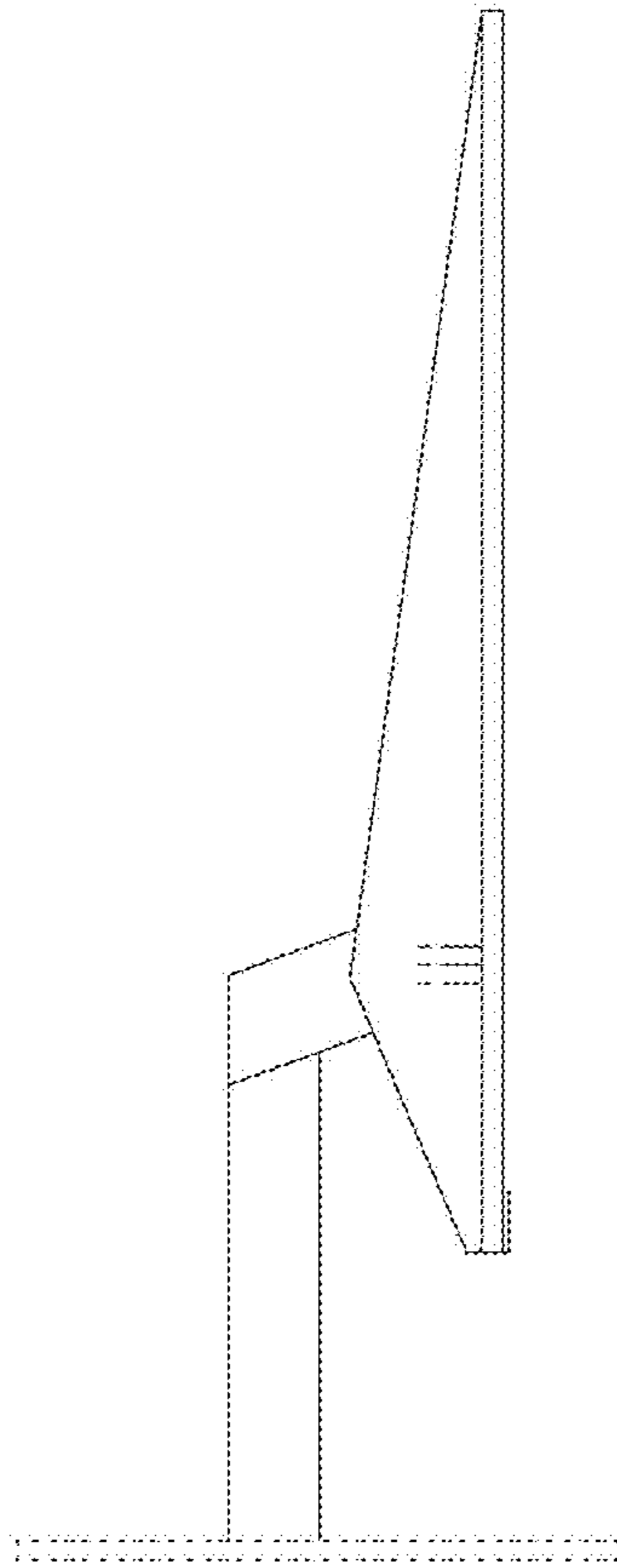


FIG. 5

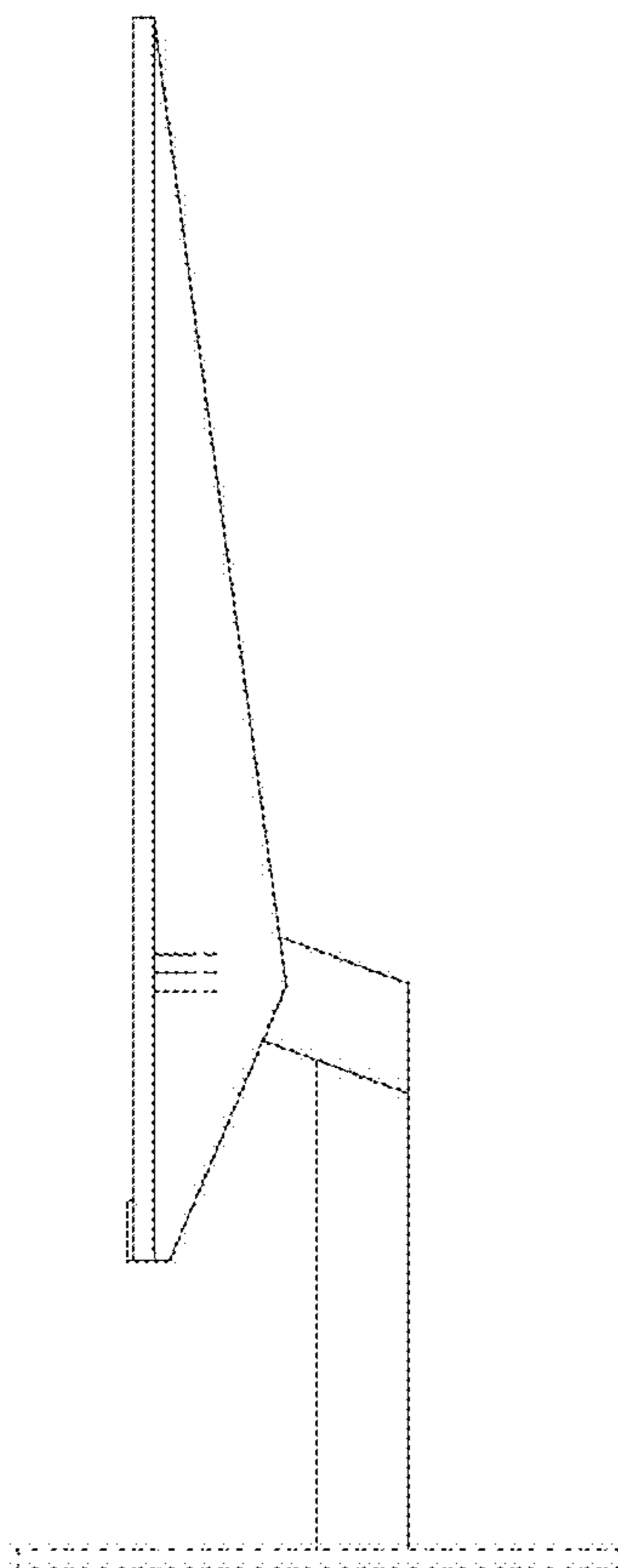


FIG. 6

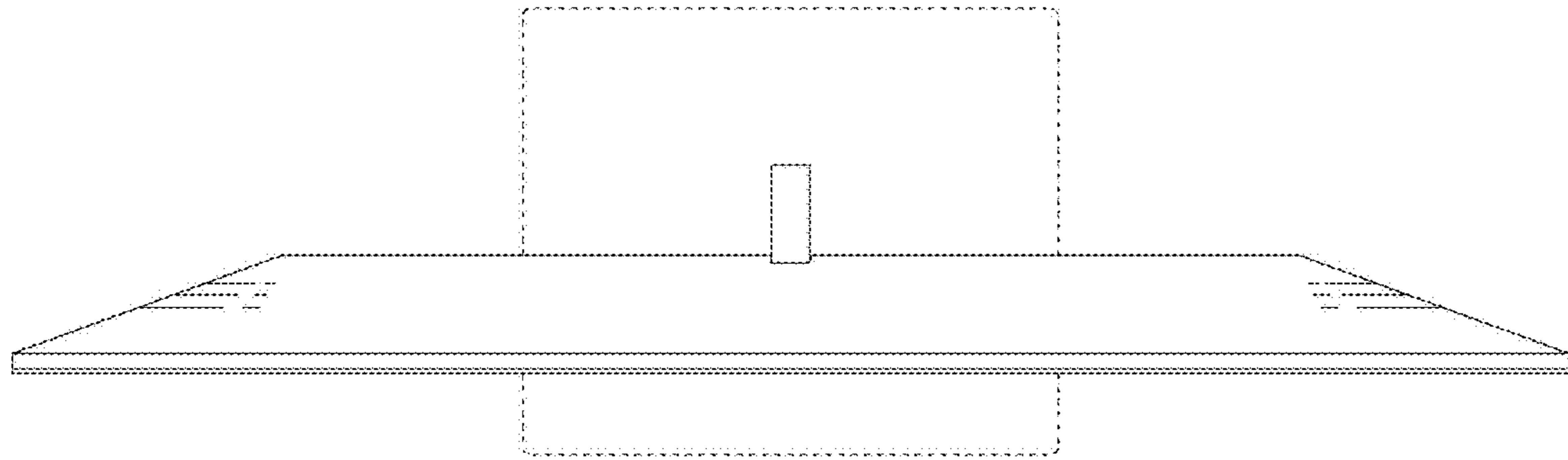


FIG. 7



FIG. 8