



US00D957392S

(12) **United States Design Patent**
Roig et al.

(10) **Patent No.:** **US D957,392 S**
(45) **Date of Patent:** **** *Jul. 12, 2022**

(54) **HEADSET STRAP**

(71) Applicant: **Facebook Technologies, LLC**, Menlo Park, CA (US)
(72) Inventors: **Enric Vial Roig**, Seattle, WA (US); **Mauricio Romano**, Redmond, WA (US); **David Michael Pickett**, Seattle, WA (US); **Peter Allan Chase Newbury**, Burlington, WA (US); **Quintin Morris**, Seattle, WA (US); **Peter Wesley Bristol**, Seattle, WA (US); **Joseph Patrick Sullivan**, Seattle, WA (US); **Glen Jason Tompkins**, Woodinville, WA (US); **Joel Bernard Jacobs**, Seattle, WA (US)

(73) Assignee: **Facebook Technologies, LLC**, Menlo Park, CA (US)

(*) Notice: This patent is subject to a terminal disclaimer.

(**) Term: **15 Years**

(21) Appl. No.: **29/826,008**

(22) Filed: **Feb. 8, 2022**

Related U.S. Application Data

(63) Continuation of application No. 29/754,281, filed on Oct. 8, 2020.

(51) **LOC (13) Cl.** **14-02**

(52) **U.S. Cl.**
USPC **D14/372**

(58) **Field of Classification Search**
USPC D14/372, 496, 432, 371, 125, 126, 129, D14/299; D16/300-342; 351/158, 153,

(Continued)

(56) **References Cited**

U.S. PATENT DOCUMENTS

3,892,792 A 7/1975 Yankee
3,893,478 A 7/1975 Peters
(Continued)

FOREIGN PATENT DOCUMENTS

EP 2937005 B1 1/2018
WO 2020021951 A1 1/2020

OTHER PUBLICATIONS

Lang B., "HoloLens 2 Specs Reveal 2-3 Hour 'Active' Battery Life, Optional Top Strap, & More," Feb. 24, 2019, 5 pages, Retrieved from the Internet: URL: <https://www.roadtovr.com/hololens-2-specs-resolution-field-of-view-battery-life/>.

(Continued)

Primary Examiner — Austin Murphy

(74) *Attorney, Agent, or Firm* — FisherBroyles, LLP

(57) **CLAIM**

The ornamental design for a headset strap, as shown and described.

DESCRIPTION

FIG. 1 is a front perspective view of a headset strap showing the claimed design;

FIG. 2 is a rear perspective view thereof;

FIG. 3 is a front view thereof;

FIG. 4 is a rear view thereof;

FIG. 5 is a top view thereof;

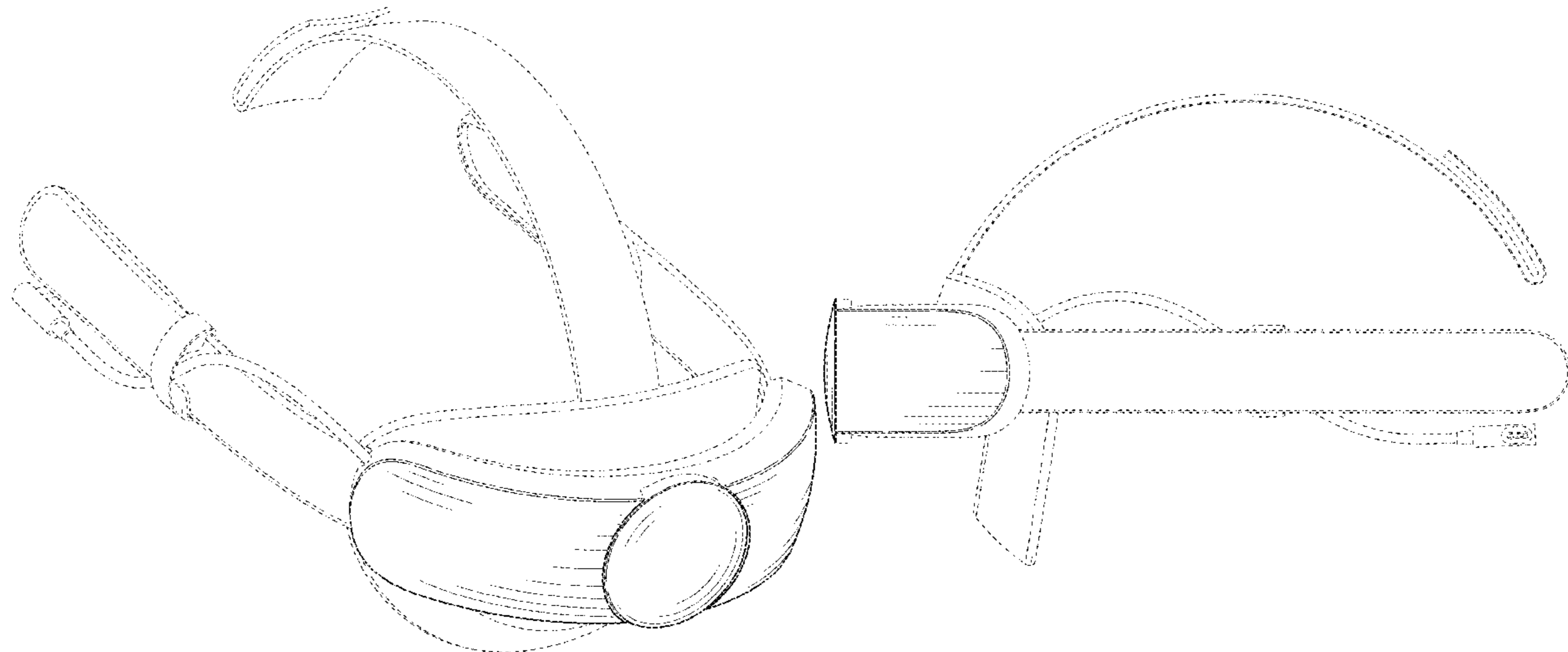
FIG. 6 is a bottom view thereof;

FIG. 7 is a left side view thereof; and,

FIG. 8 is a right side view thereof.

The broken lines shown in the figures illustrate portions of the headset strap that form no part of the claimed design.

1 Claim, 7 Drawing Sheets



(58) **Field of Classification Search**
 USPC 351/144; 345/7-9, 905; 455/344;
 348/115, 53, 121, 739
 CPC G02B 27/017; G02B 27/0158; G02B
 27/0161; G02B 27/0181; G02B 27/0185;
 G02B 27/0189
 See application file for complete search history.

(56) **References Cited**
 U.S. PATENT DOCUMENTS

D398,403	S	9/1998	Bishop et al.	
9,385,396	B2	7/2016	Goh et al.	
D778,909	S	2/2017	Nokuo	
D780,753	S	3/2017	Park et al.	
D809,517	S	2/2018	Sakata et al.	
D823,855	S	7/2018	Robertson et al.	
D827,642	S	9/2018	Liu et al.	
D829,208	S	9/2018	Dallmeyer et al.	
D834,016	S	11/2018	Raffle et al.	
10,146,262	B1	12/2018	Magrath et al.	
D838,719	S	1/2019	Wei et al.	
10,297,868	B2	5/2019	Choi et al.	
D861,680	S	10/2019	Chou et al.	
D863,300	S	10/2019	Boger et al.	
D865,764	S	11/2019	Miller et al.	
D867,362	S	11/2019	Chou et al.	
D870,977	S	12/2019	Berggren et al.	
D872,079	S	1/2020	Huang et al.	
D875,093	S	2/2020	Park	
D875,094	S	2/2020	Miller et al.	
D882,568	S	4/2020	Park	
D882,569	S	4/2020	Tsao	
D883,280	S	5/2020	Shao et al.	
D885,383	S	5/2020	Chang et al.	
10,663,737	B1	5/2020	Magrath et al.	
D889,464	S	* 7/2020	Wang	D14/372
D892,792	S	8/2020	Miller et al.	
D893,478	S	8/2020	Watanabe et al.	
D896,221	S	9/2020	Lee et al.	
D898,025	S	10/2020	Bhat et al.	
D898,738	S	10/2020	Denhez et al.	
D900,095	S	10/2020	Wang et al.	
D900,099	S	10/2020	Park	
D904,402	S	* 12/2020	Marquis	D14/372
D905,055	S	* 12/2020	Shao	D14/206
D910,014	S	2/2021	Amijo et al.	
D910,015	S	2/2021	Amijo et al.	
D910,018	S	2/2021	Amijo et al.	
D912,048	S	3/2021	Wei et al.	

D916,086	S	4/2021	Zhang et al.	
D916,702	S	* 4/2021	Newsom	D14/372
D917,476	S	4/2021	Zhang et al.	
D918,203	S	5/2021	Chen	
D918,864	S	5/2021	Bulte et al.	
D918,904	S	5/2021	Jackson et al.	
D920,974	S	6/2021	Chi	
D924,234	S	* 7/2021	Meng	D14/372
D925,528	S	7/2021	Bristol et al.	
D925,529	S	7/2021	Morris et al.	
D925,530	S	7/2021	Morris et al.	
D926,757	S	8/2021	Wang	
D927,785	S	8/2021	Wu	
D928,151	S	* 8/2021	Hu	D14/372
D929,401	S	8/2021	Chiang et al.	
D929,402	S	8/2021	Jiang	
D931,277	S	9/2021	Denhez et al.	
D931,278	S	* 9/2021	Pombo	D14/372
D932,488	S	* 10/2021	Huang	D14/372
D937,262	S	11/2021	Chi	
D939,017	S	* 12/2021	Liang	D16/339
2012/0297520	A1	11/2012	Gleason et al.	
2017/0238643	A1	8/2017	Pereira et al.	
2018/0042330	A1	2/2018	Wu	
2018/0335632	A1	11/2018	Cho et al.	
2019/0339736	A1	11/2019	Chang et al.	

OTHER PUBLICATIONS

“LG G Flex,” Wikipedia, Nov. 12, 2013, 2 pages, Retrieved from the Internet: URL: https://en.wikipedia.org/wiki/LG_G_Flex.
 Barreiros J., et al., “Fabric Reinforced Soft Actuators,” U.S. Appl. No. 17/111,549, filed Dec. 4, 2020, 71 pages.
 Flores J.A.B., et al., “Fabric Reinforced Soft Actuators,” U.S. Appl. No. 63/050,310, filed Jul. 10, 2020, 56 pages.
 Howard J., et al., “Curved Batteries, Devices, and Accessories,” U.S. Appl. No. 62/901,082, filed Sep. 16, 2019, 75 pages.
 Howard J., et al., “Curved Battery-Pack Devices and Accessories,” U.S. Appl. No. 16/818,614, filed Mar. 13, 2020, 117 pages.
 Howard J., et al., “Non-Uniformly Curved Batteries,” U.S. Appl. No. 16/818,611, filed Mar. 13, 2020, 115 pages.
 International Search Report and Written Opinion for International Application No. PCT/US2021/044233, dated Oct. 29, 2021, 15 pages.
 Morris Q., et al., “Head-Mounted Display,” U.S. Appl. No. 29/723,785, filed Feb. 10, 2020, 23 pages.
 Roig E.V., et al., “Head Cradle for Head-Mounted Display and Related Systems and Devices,” U.S. Appl. No. 63/060,716, filed Aug. 4, 2020, 65 pages.

* cited by examiner

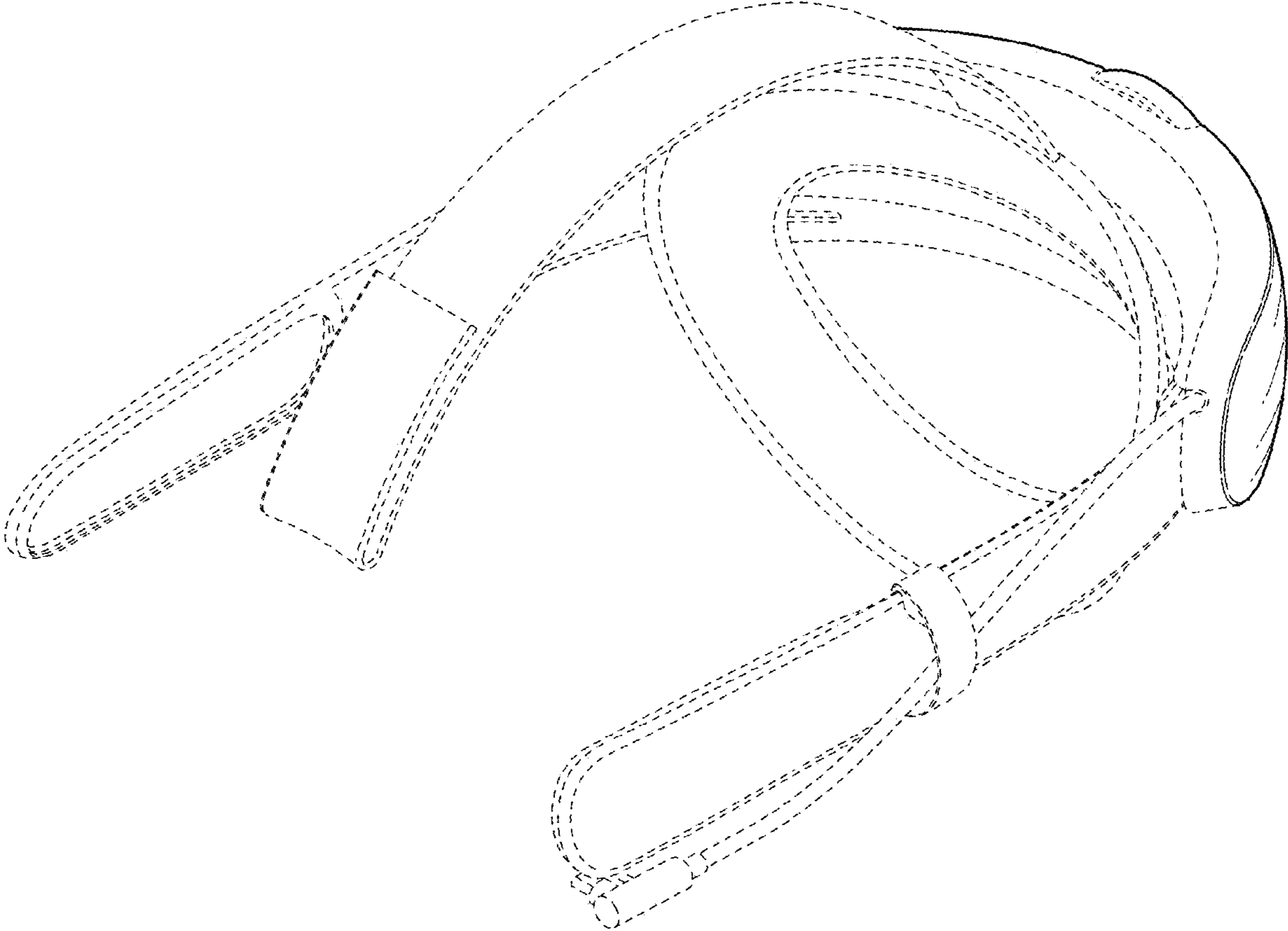


FIG. 1

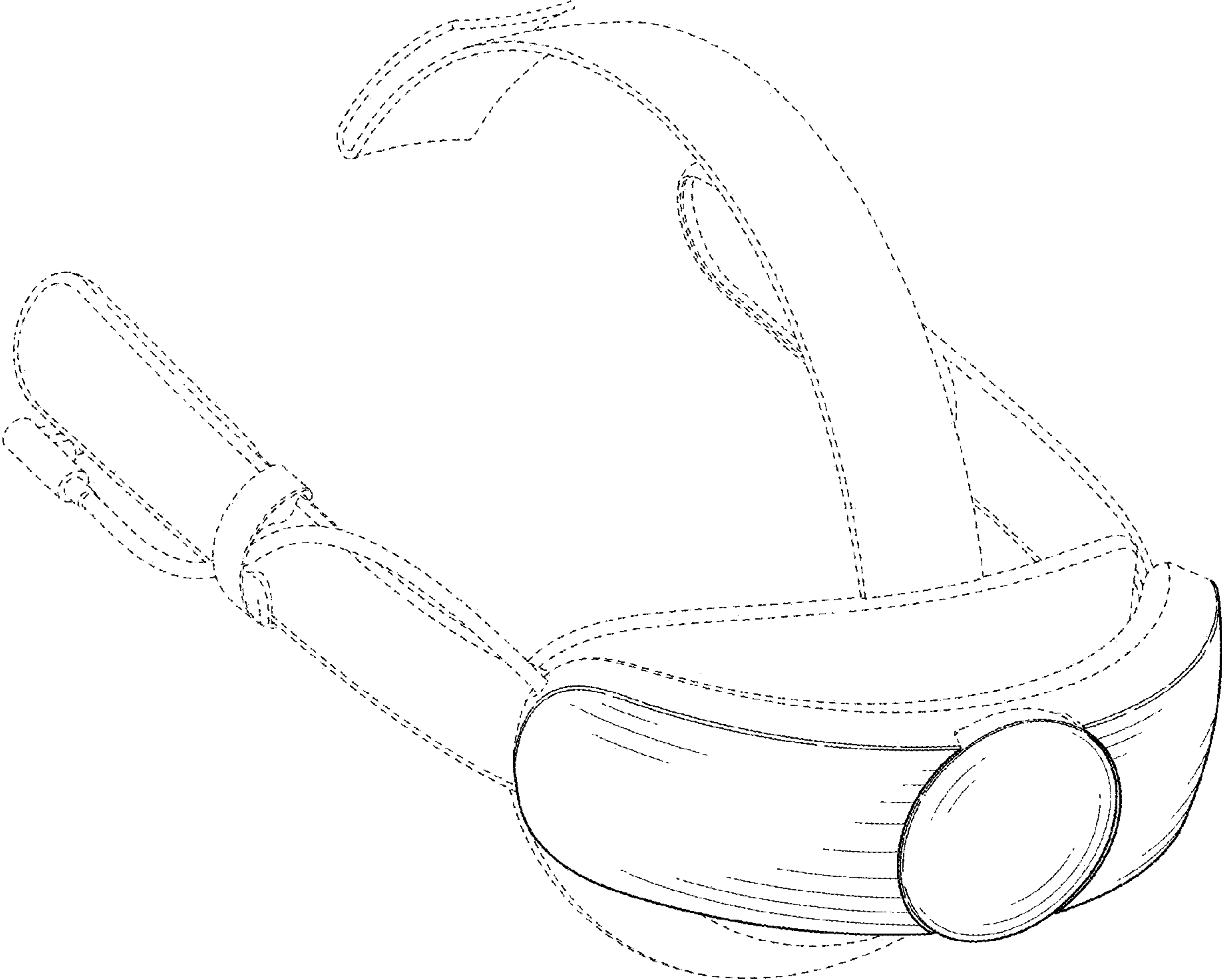


FIG. 2

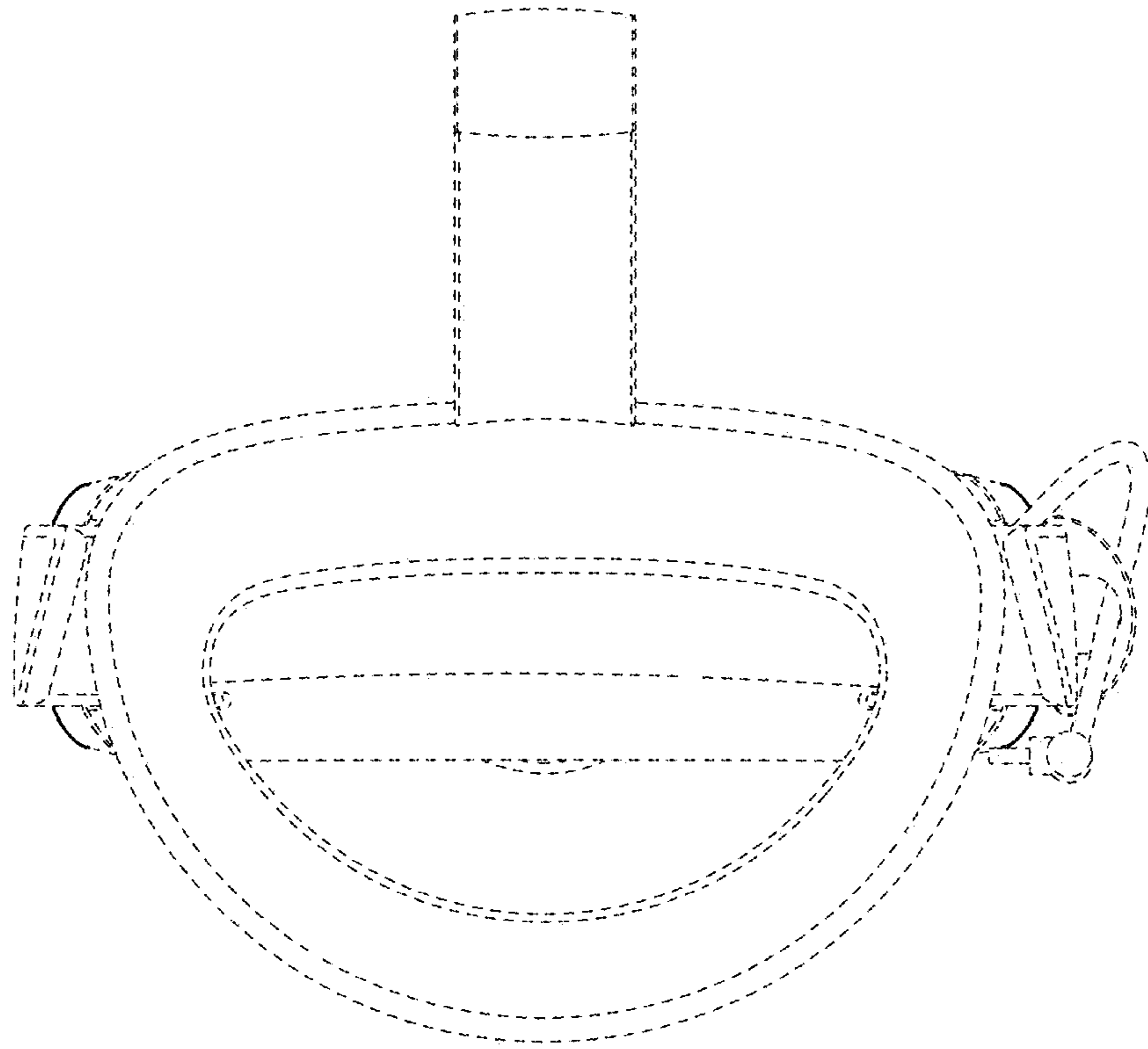


FIG. 3

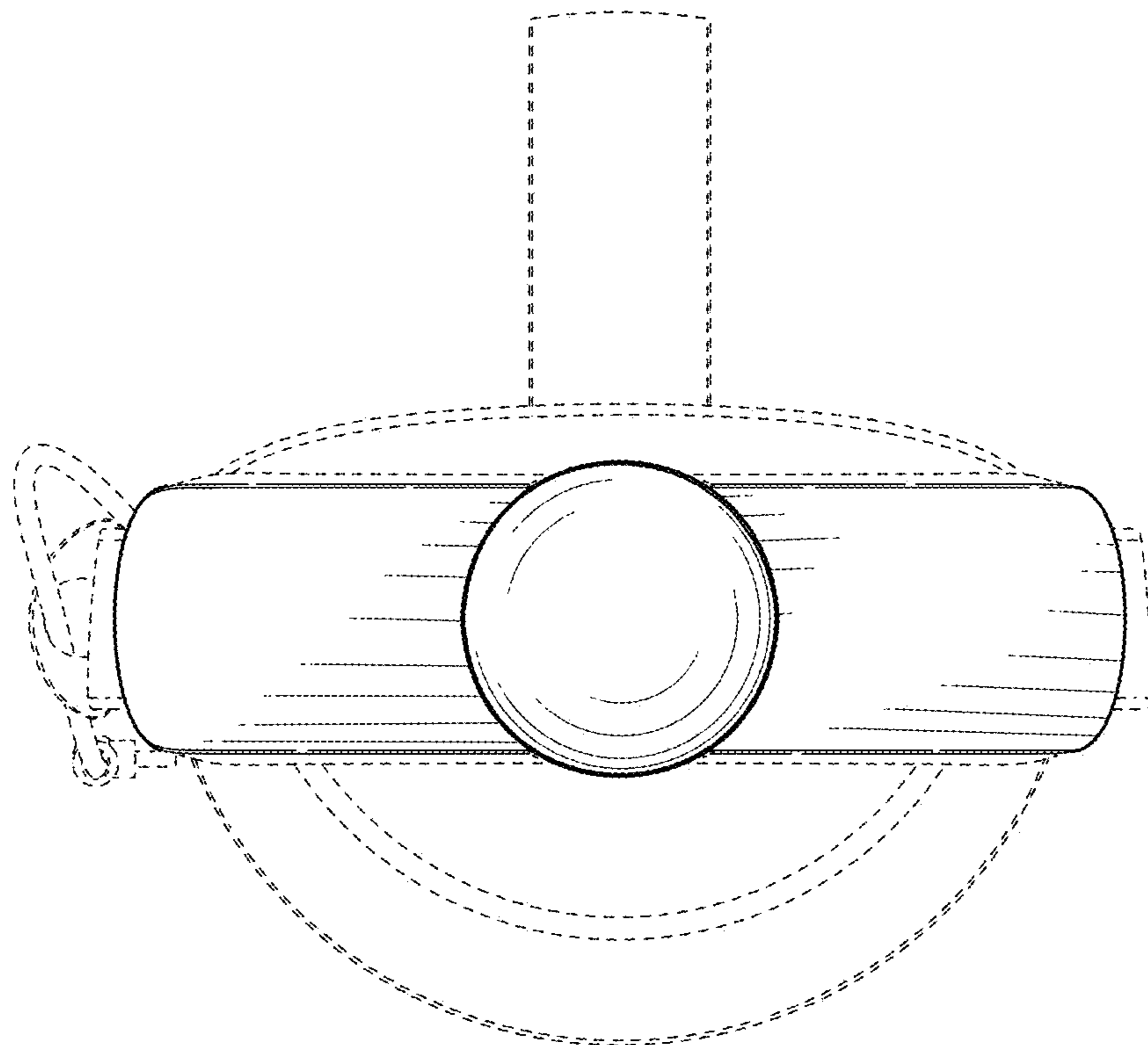


FIG. 4

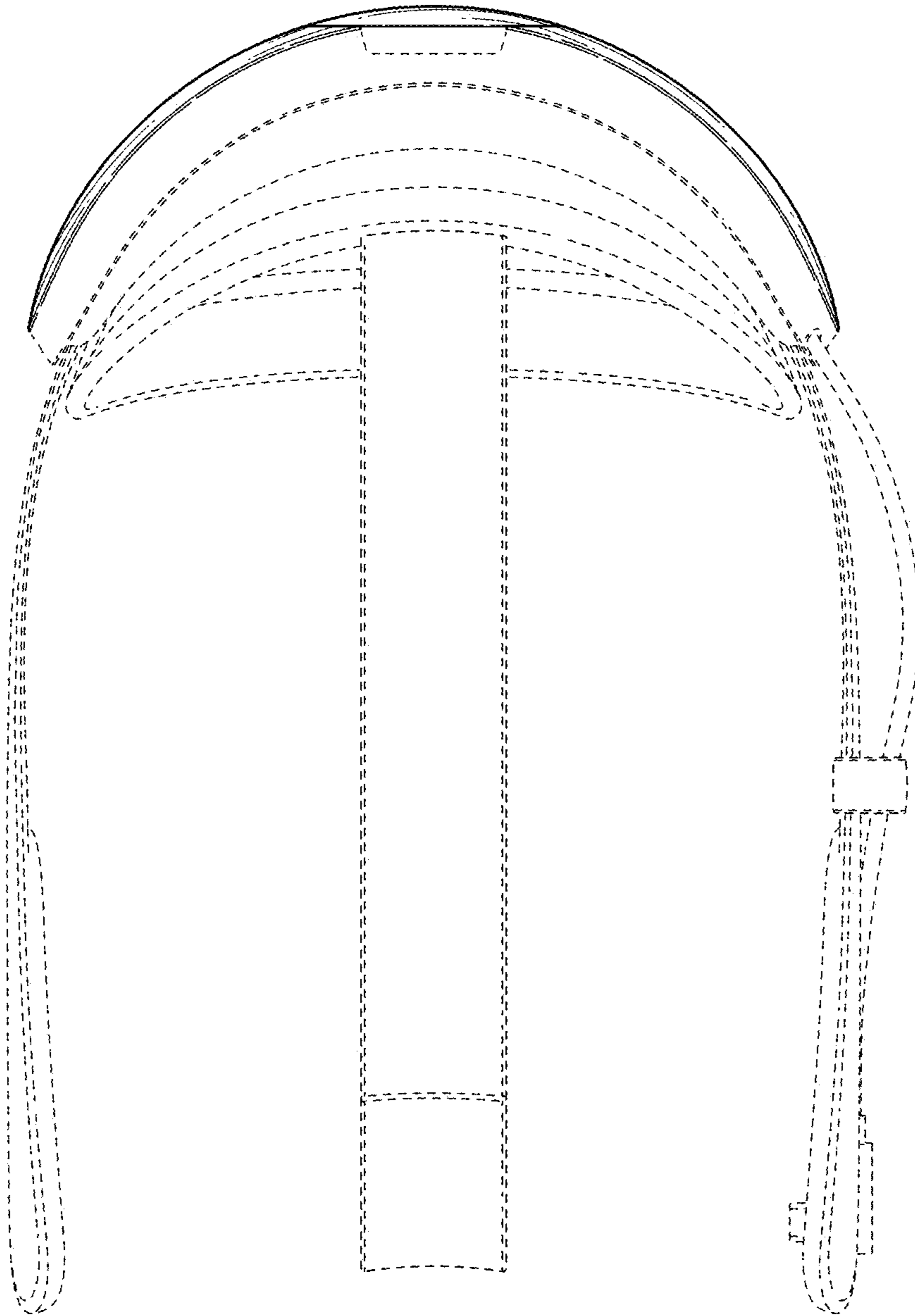


FIG. 5

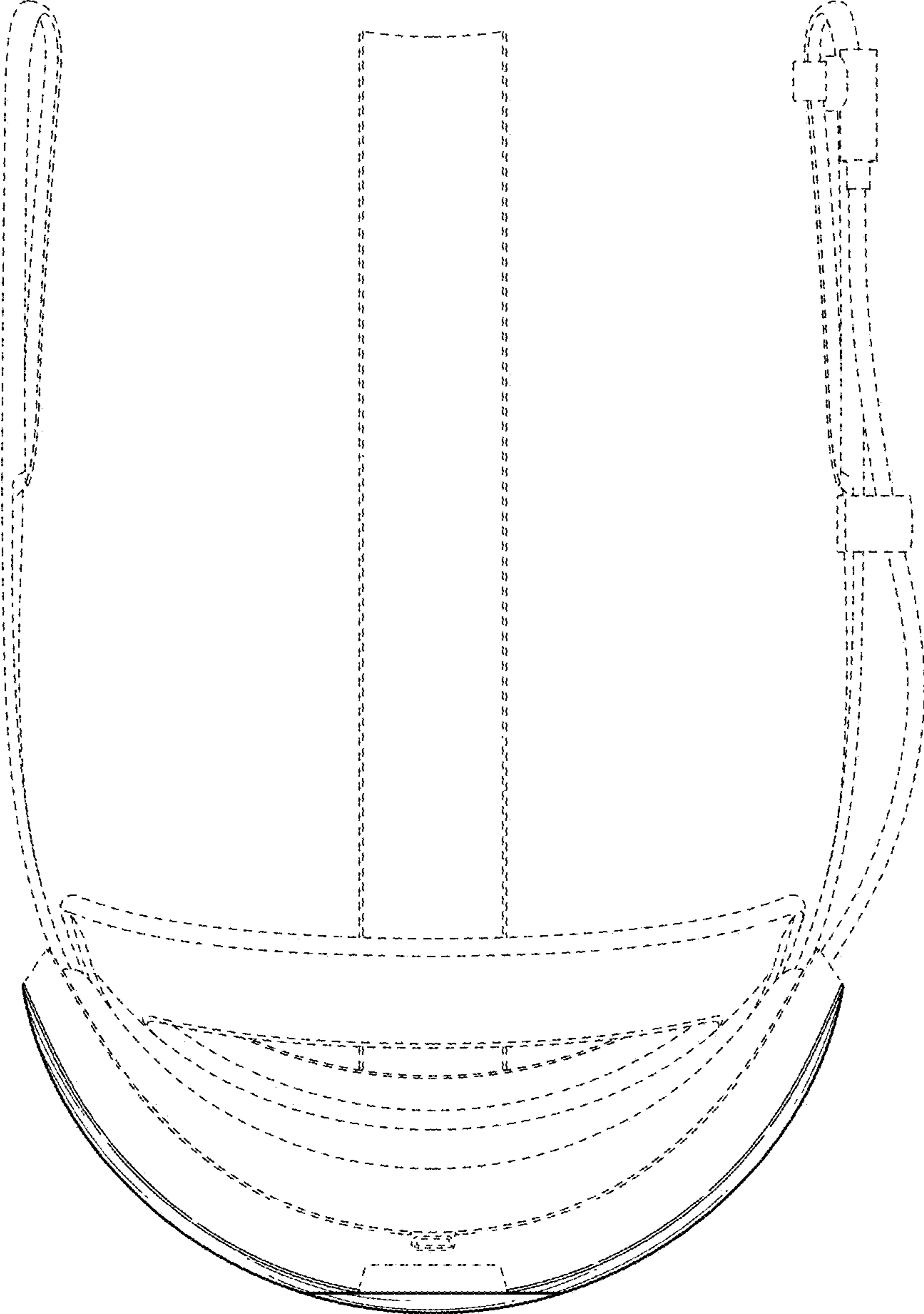


FIG. 6

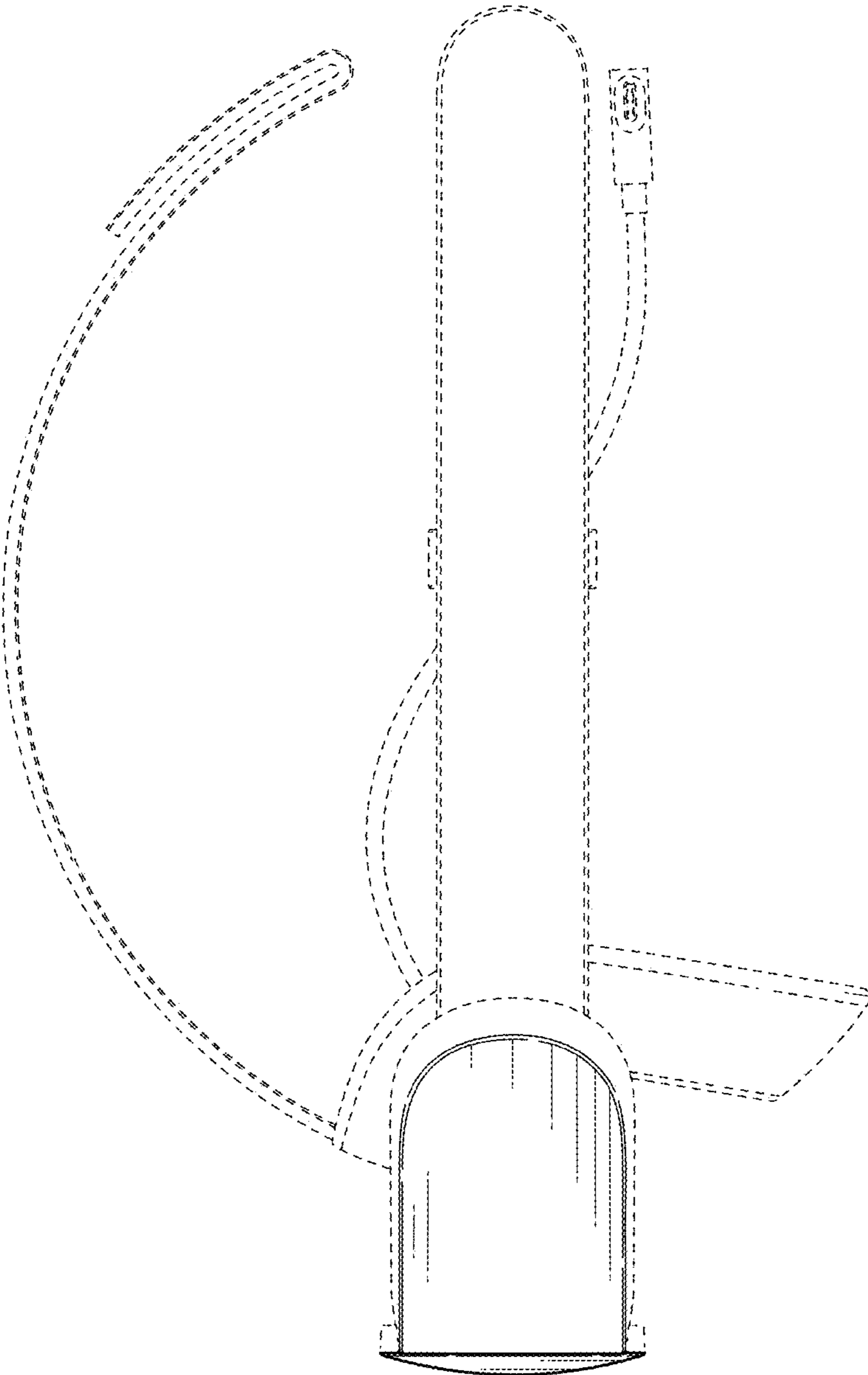


FIG. 7

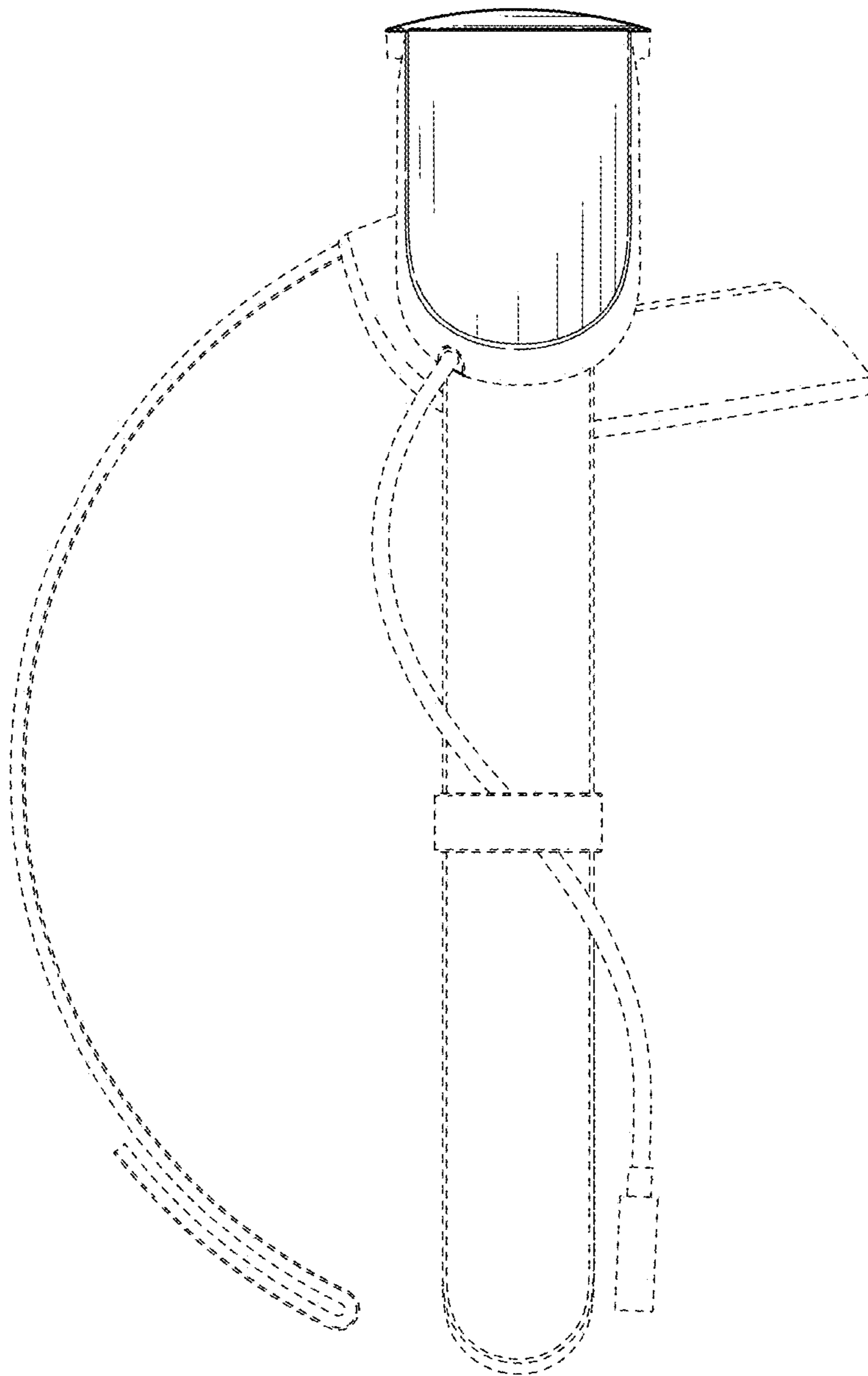


FIG. 8