



US00D957388S

(12) **United States Design Patent** (10) **Patent No.:** **US D957,388 S**
Liao (45) **Date of Patent:** **** Jul. 12, 2022**

- (54) **MOBILE PHONE STAND**
- (71) Applicant: **DONGGUAN CHUANG LONG ELECTRONICS LIMITED**,
Dongguan (CN)
- (72) Inventor: **Anzhang Liao**, Dongguan (CN)
- (73) Assignee: **DONGGUAN CHUANG LONG ELECTRONICS LIMITED**,
Dongguan (CN)
- (**) Term: **15 Years**
- (21) Appl. No.: **29/730,465**
- (22) Filed: **Apr. 3, 2020**
- (51) **LOC (13) Cl.** **14-02**
- (52) **U.S. Cl.**
USPC **D14/358**; D14/253
- (58) **Field of Classification Search**
USPC D14/239, 371, 372-374, 447-452, 125,
D14/127-129, 335-337, 375-377, 341,
D14/126, 211, 238, 447-448, 450;
D8/355, 363, 373, 380, 366, 376, 377,
D8/354; D6/672, 682, 553, 300,
D6/310-313, 308, 708; D25/121, 119
CPC F16M 11/2085; F16M 11/2092; F16M
11/2007; F16M 11/2014; F16M 11/2021;
F16M 11/105; F16M 11/10; F16M
11/048; F16M 11/12; F16M 13/022;
F16M 13/02; F16M 13/00; F16M 11/04;
F16M 2200/08; H04N 5/655; H02G
3/126; A47B 21/0314; A47B 88/044;
A47B 21/0335; A47G 1/17; A47K
2201/001; F16B 47/00; F16B 47/006
See application file for complete search history.

- D554,136 S * 10/2007 Richter D14/452
- D554,137 S * 10/2007 Richter D14/452
- D591,755 S * 5/2009 Richter D14/447
- D654,120 S * 2/2012 Lin D21/333
- D797,660 S * 9/2017 Oliver D13/103
- D826,918 S * 8/2018 Lebovitz D14/253
- D873,205 S * 1/2020 MacNeil D12/415

(Continued)

OTHER PUBLICATIONS

Hot Sale Universal Cup Phone Holder For Car Cup Holder Ipad Mount, dgchuanglong.net, [online], [site visited Mar. 20, 2022], Available from internet URL: <https://www.dgchuanglong.net/product/Hot-Sale-Universal-Cup-Phone-Holder-For-Car-Cup-Holder-Ipad-Mount> (Year: 2022).*

(Continued)

Primary Examiner — Samantha Q Lawrence
Assistant Examiner — Holly M Rodriguez

(57) **CLAIM**

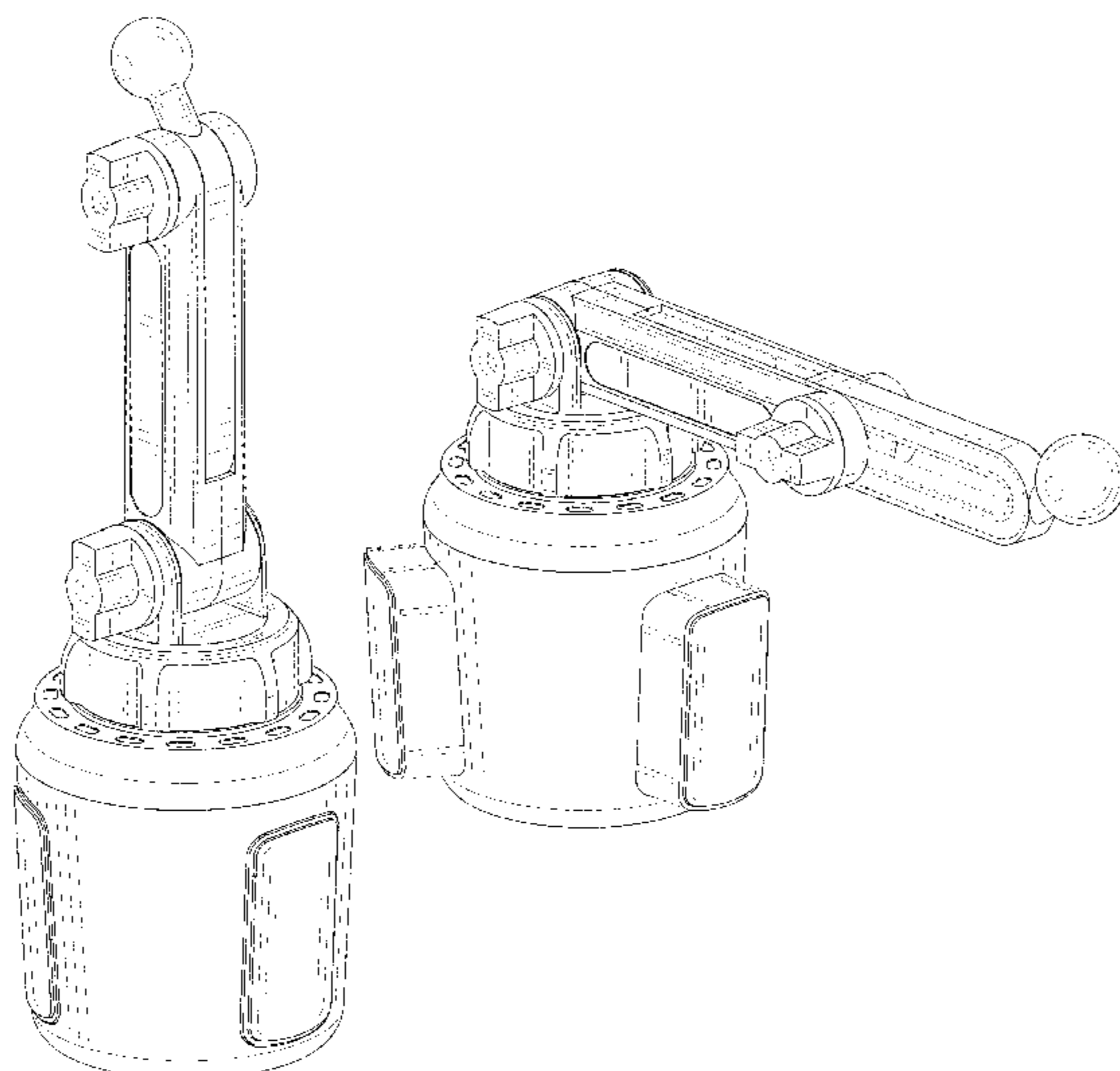
The ornamental design for a mobile phone stand, as shown and described.

DESCRIPTION

FIG. 1 is a perspective view of a mobile phone stand showing my new design;
FIG. 2 is another perspective view thereof;
FIG. 3 is a front elevational view thereof;
FIG. 4 is a rear elevational view thereof;
FIG. 5 is a left side elevational view thereof;
FIG. 6 is a right side elevational view thereof;
FIG. 7 is a top plan view thereof;
FIG. 8 is a bottom plan view thereof; and,
FIG. 9 is a perspective view of the mobile phone stand where the mobile phone stand is in a configuration of use.
The broken lines shown in figures illustrate portions of the mobile phone stand that form no part of the claimed design.

1 Claim, 9 Drawing Sheets

- (56) **References Cited**
U.S. PATENT DOCUMENTS
D268,738 S * 4/1983 Yoshioka D10/73
D451,504 S * 12/2001 Edwards D14/254



(56)

References Cited

U.S. PATENT DOCUMENTS

D873,261	S *	1/2020	Yin	D14/253
D878,279	S *	3/2020	MacNeil	D12/415
D889,382	S *	7/2020	Lan	D12/415
D913,273	S *	3/2021	Lan	D14/253
D929,391	S *	8/2021	Chen	D14/253
2007/0012825	A1 *	1/2007	Yeh	F16M 11/105 248/122.1
2009/0050758	A1 *	2/2009	Carnevali	F16B 47/00 248/205.8
2009/0294608	A1 *	12/2009	Brassard	F16B 47/00 248/205.5
2012/0097813	A1 *	4/2012	Li	F16M 11/14 248/220.22
2014/0346295	A1 *	11/2014	Song	A42B 3/006 248/205.8

OTHER PUBLICATIONS

WeatherTech CupFone Two View with Extension,, first available Sep. 2, 2020, amazon.com, [online], [site visited Mar. 20, 2022], Available from internet URL: <https://www.amazon.com/WeatherTech-Extension-Universal-Automobile-Compatible/dp/B089QYRGLT?th=1> (Year: 2020).*

Miracase Universal Adjustable Long Neck Car Cup Holder, first available Jun. 30, 2021, amazon.com, [online], [site visited Mar. 20,

2022], Available from internet URL: https://www.amazon.com/dp/B094QVTL37/ref=sspa_dk_detail_2?psc=1&pd_rd_i=B094QVTL37&pd_rd_w=JNNAV&pf_rd_p=b9951ce4-3bd8-4b04-91%E2%80%A6 (Year: 2021).*

Solid Cup Holder Phone Mount for Car Truck, first available Aug. 3, 2020, amazon.com, [online], [site visited Mar. 20, 2022], Available from internet URL: https://www.amazon.com/dp/B08D9K56KB/ref=sspa_dk_detail_0?psc=1&pd_rd_i=B08D9K56KB&pd_rd_w=JNNAV&pf_rd_p=b9951ce4-3bd8-4b04-91%E2%80%A6 (Year: 2020).*

Miracase Long Neck Never Shake Car Cup Phone Holder, first available Dec. 17, 2019, amazon.com, [online], [site visited Mar. 20, 2022], Available from internet URL: https://www.amazon.com/dp/B082SNXJ4G/ref=sspa_dk_detail_5?pd_rd_i=B082SNXJ4G&pd_rd_w=JNNAV&pf_rd_p=b9951ce4-3bd8-4b04-9%E2%80%A6&th=1 (Year: 2019).*

Cellet PH650 Car Cup Holder Phone Mount, first available Jul. 24, 2015, amazon.com, [online], [site visited Mar. 20, 2022], Available from internet URL: https://www.amazon.com/dp/B01216A6E8/ref=sspa_dk_detail_6?psc=1&pf_rd_p=57cbdc41-b731-4e3d-aca7-49078b13a07b&pd_rd_wg=vWm3J&pf_%E2%80%A6 (Year: 2015).*

CORROY Car Cup Holder Phone Mount, first available Apr. 28, 2021, amazon.com, [online], [site visited Mar. 20, 2022], Available from internet URL: https://www.amazon.com/dp/B093PT9ZVQ/ref=sspa_dk_detail_2?psc=1&pf_rd_p=57cbdc41-b731-4e3d-aca7-49078b13a07b&pd_rd_wg=vWm3J&pf%E2%80%A6 (Year: 2021).*

* cited by examiner

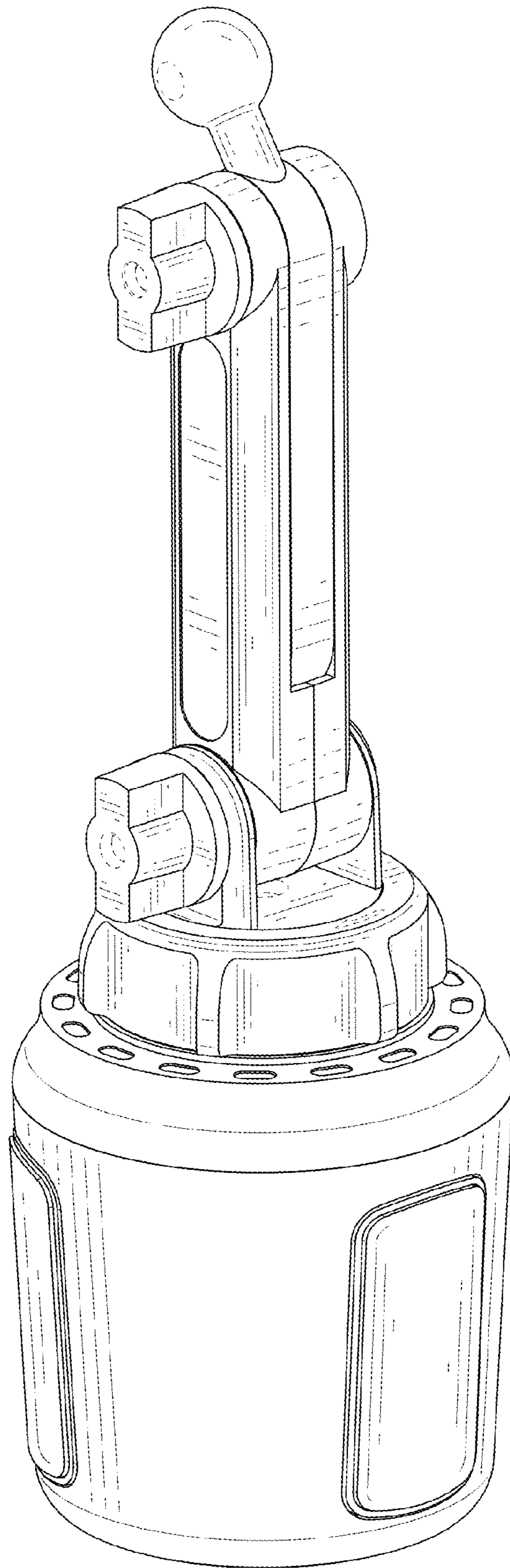


FIG. 1

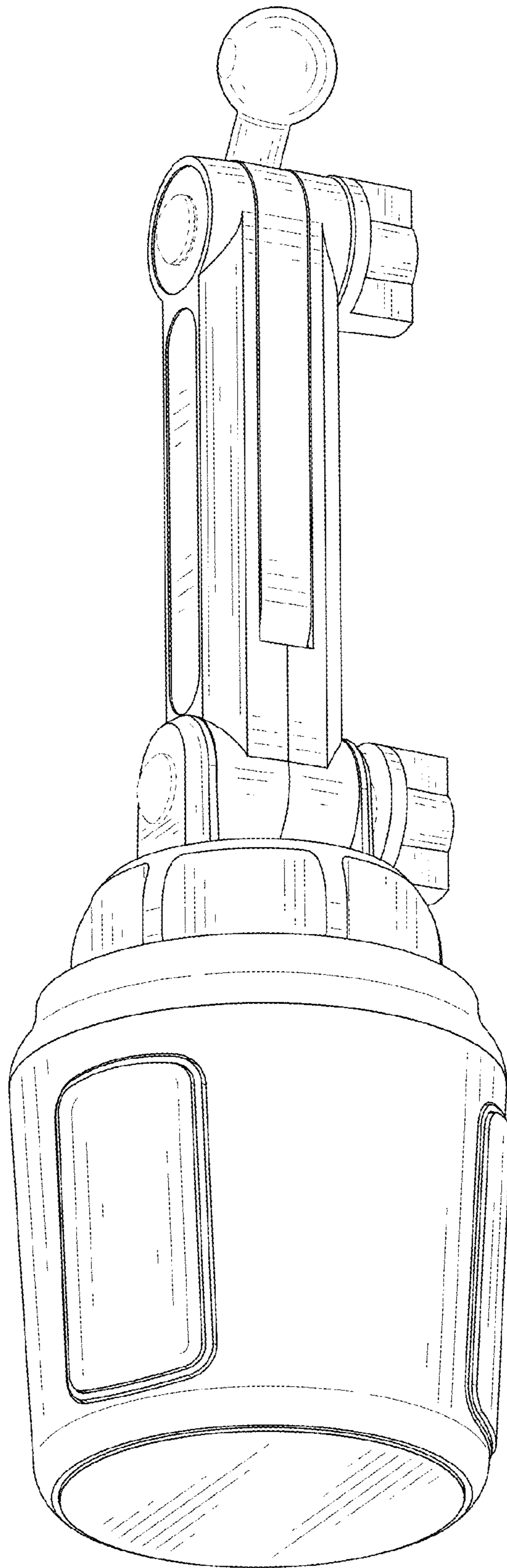


FIG. 2

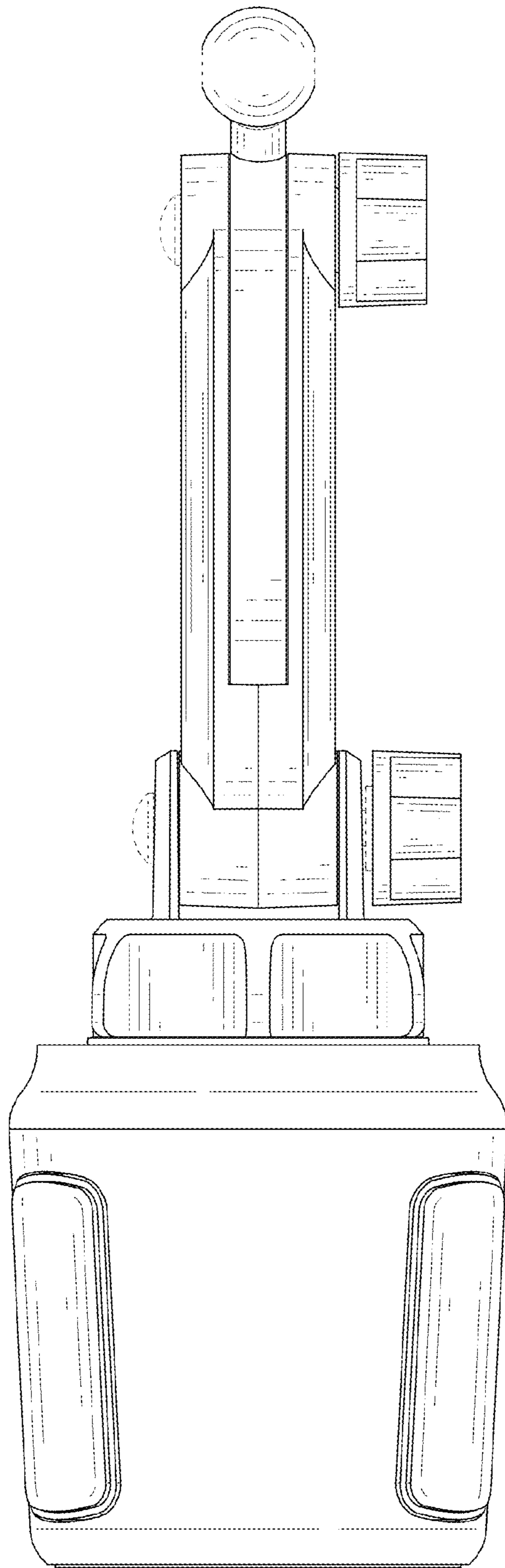


FIG. 3

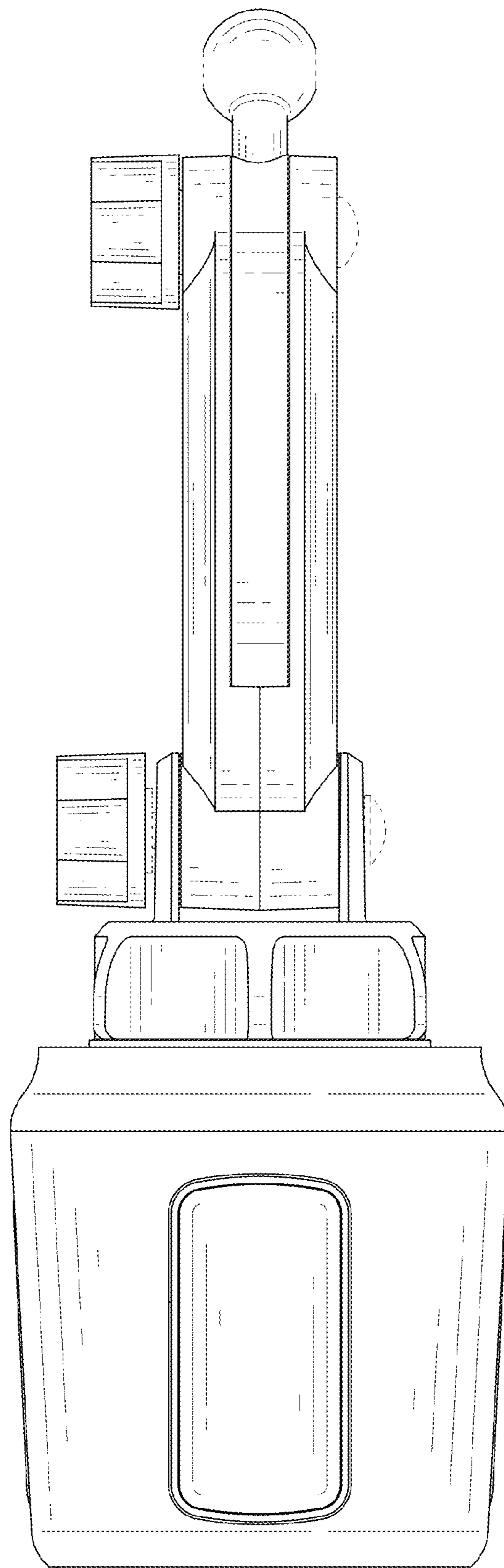


FIG. 4

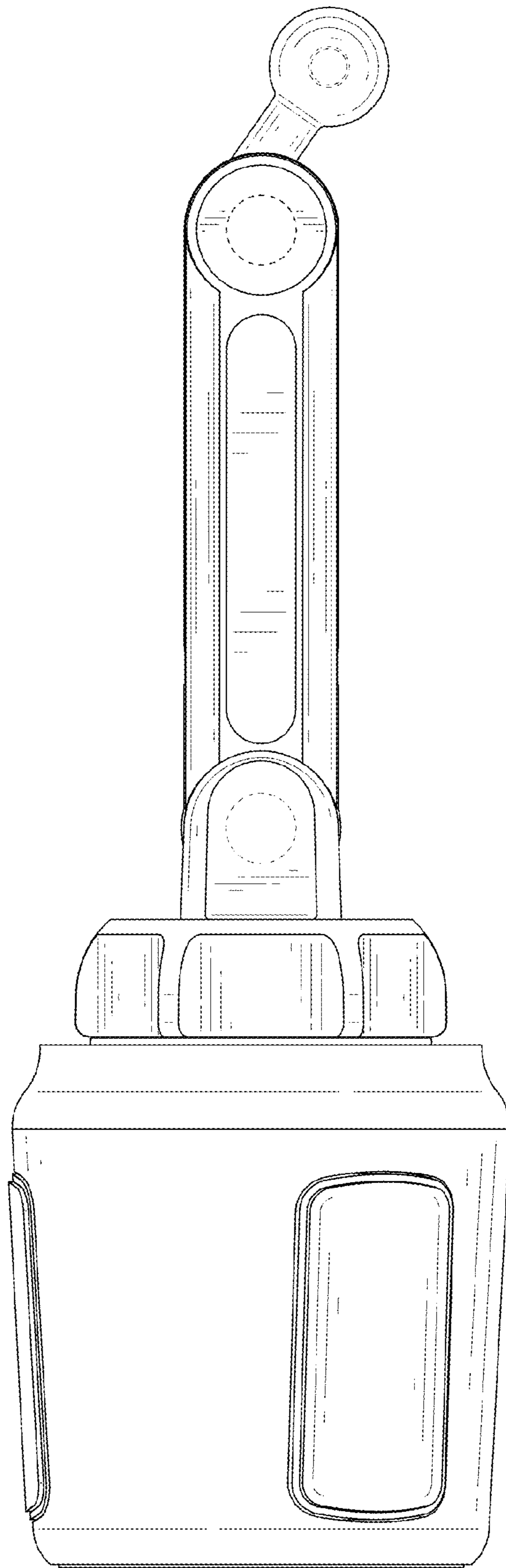


FIG. 5

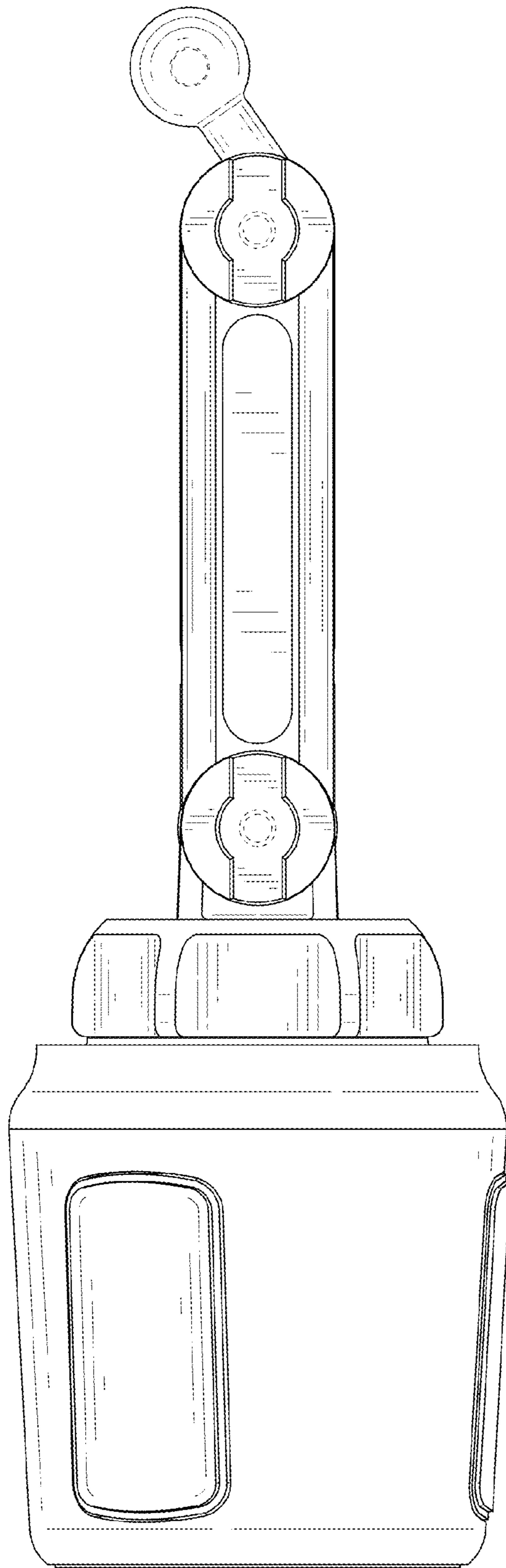


FIG. 6

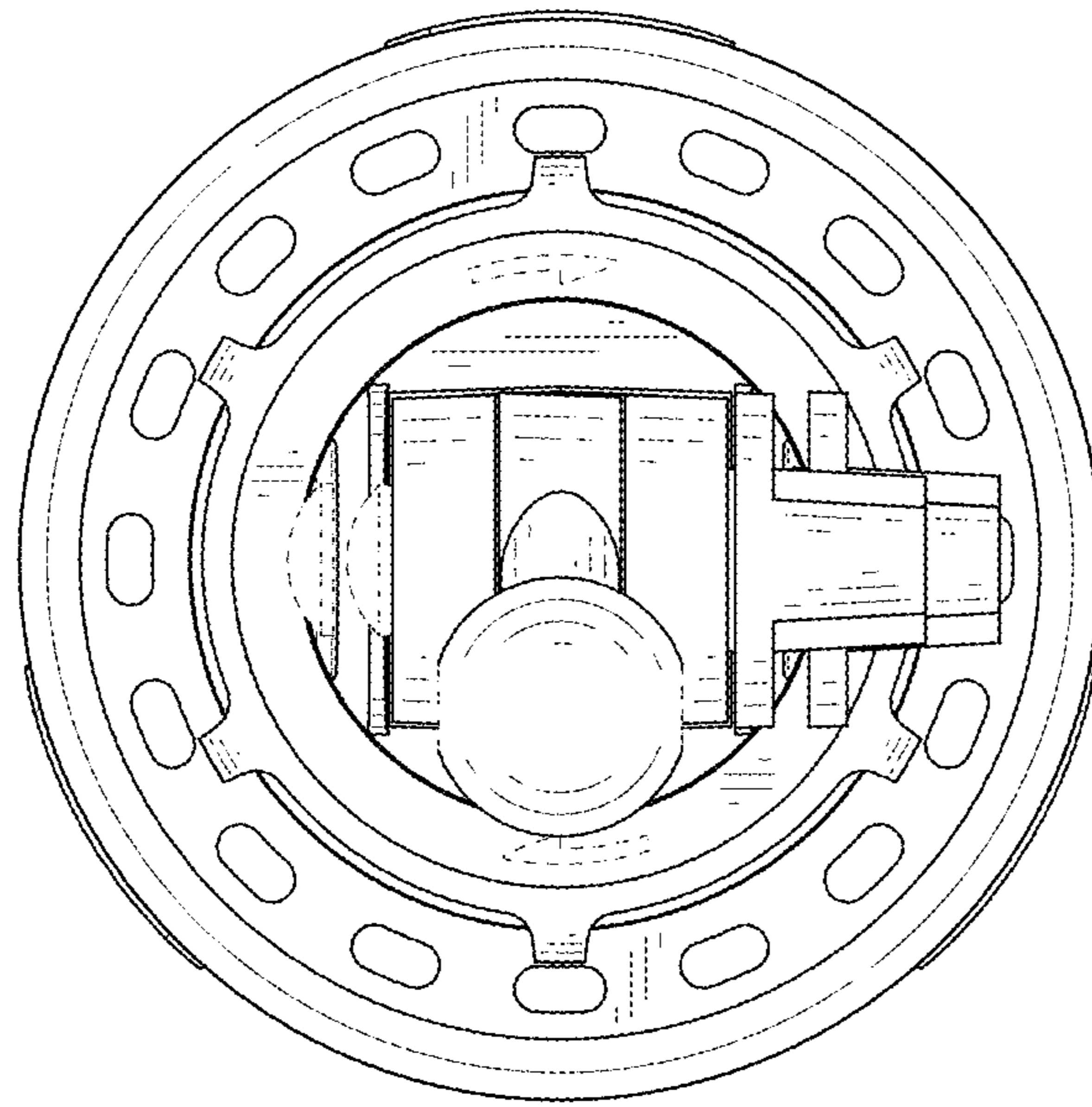


FIG. 7

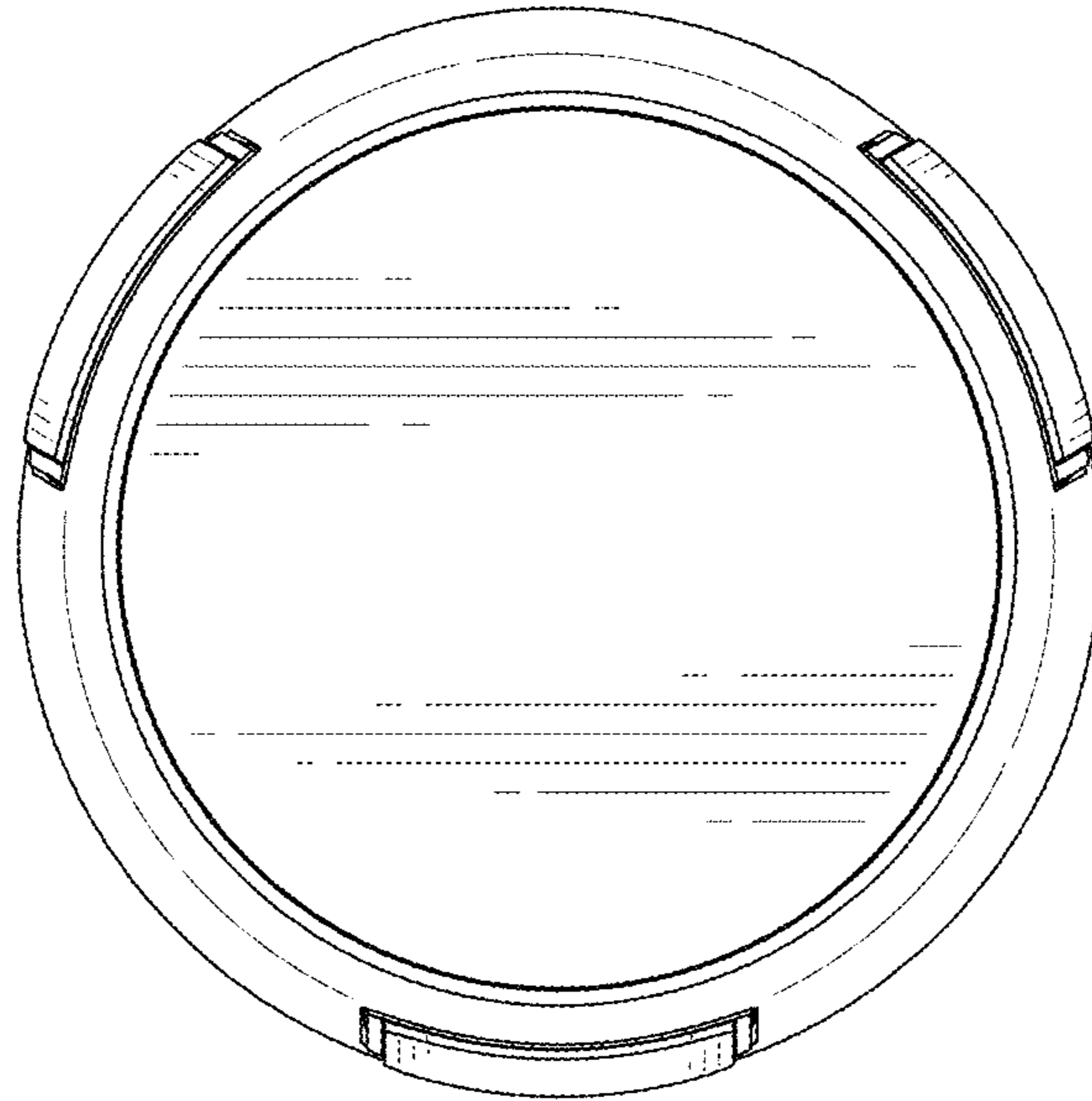


FIG. 8

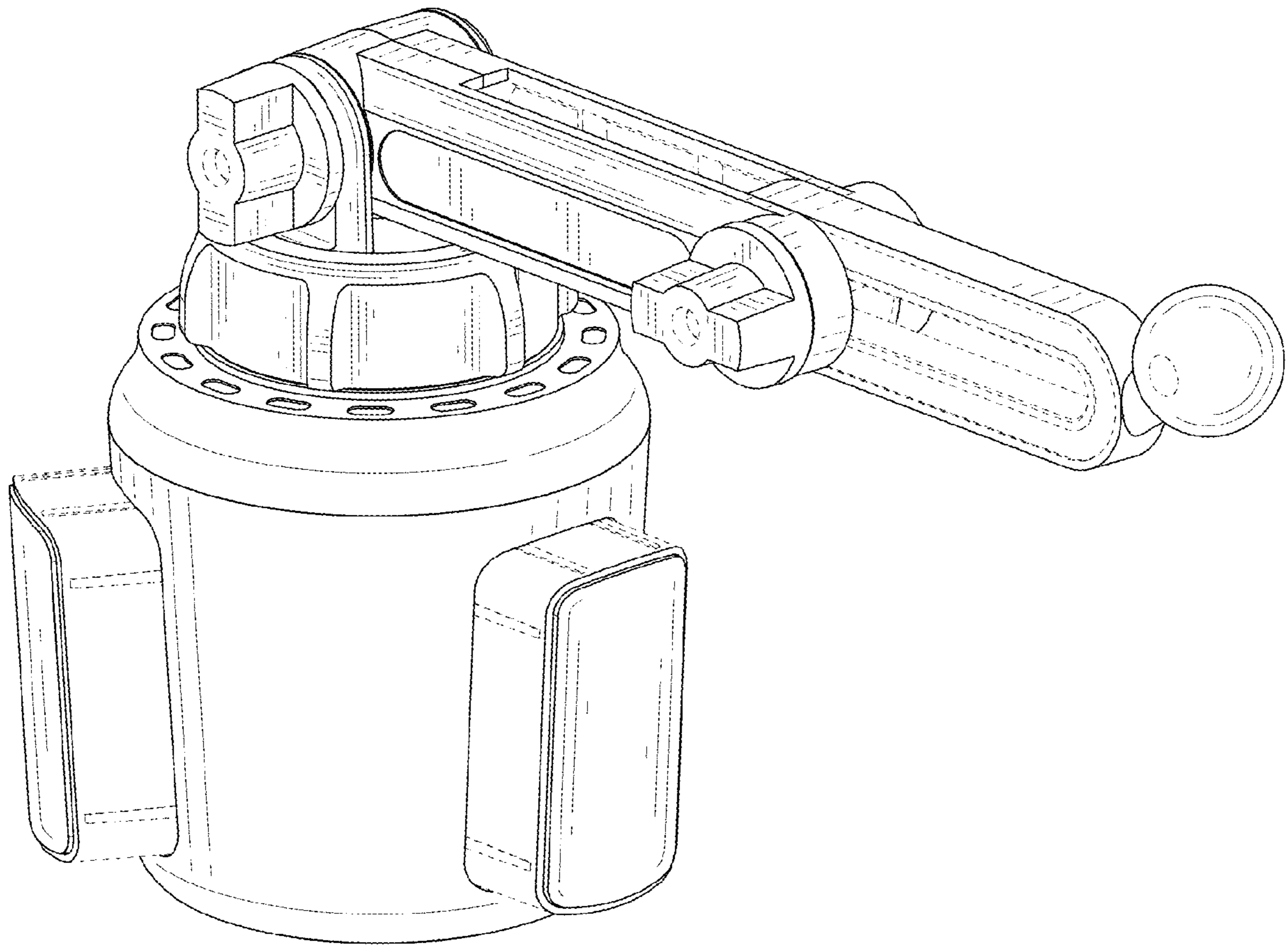


FIG. 9