



US00D957386S

(12) **United States Design Patent**
Hsu et al.

(10) **Patent No.:** **US D957,386 S**
(45) **Date of Patent:** **** Jul. 12, 2022**

(54) **TABLET COMPUTER**

(71) Applicant: **PEGATRON CORPORATION**, Taipei (TW)

(72) Inventors: **Hsiang-Chi Hsu**, Taipei (TW); **I-Tien Hsieh**, Taipei (TW); **Mei-Yin Yeh**, Taipei (TW); **Hung-Yun Wu**, Taipei (TW); **Ho-Ching Huang**, Taipei (TW)

(73) Assignee: **PEGATRON CORPORATION**, Taipei (TW)

(**) Term: **15 Years**

(21) Appl. No.: **29/724,699**

(22) Filed: **Feb. 18, 2020**

(30) **Foreign Application Priority Data**

Aug. 26, 2019 (TW) 108305131

(51) **LOC (13) Cl.** **14-02**

(52) **U.S. Cl.**
USPC **D14/341**

(58) **Field of Classification Search**
USPC ... D14/126-127, 138 AA, 138 AB, 138 AC, D14/138 AD, 138 C, 138 G, 248, D14/315-318, 341-347, 371, 374; D6/308, 310; D10/50, 65, 70, 78, 83, 87, D10/92, 98, 104.1; D18/6-7; D19/26, D19/59-60; D21/324, 329-330, 332; D12/114, 223
CPC ... H04M 1/0202; H04M 1/0266; H04M 1/725
See application file for complete search history.

(56) **References Cited**

U.S. PATENT DOCUMENTS

5,583,742 A * 12/1996 Noda H01M 50/30 361/679.21
D627,780 S * 11/2010 Kuroda D14/346
D694,752 S * 12/2013 Li D14/341

(Continued)

FOREIGN PATENT DOCUMENTS

CN 306487539 * 4/2021
CN 307019005 * 12/2021

(Continued)

OTHER PUBLICATIONS

Vanquisher 8-Inch Industrial Rugged Tablet PC, date first available: Jul. 27, 2016, [retrieved Apr. 6, 2022], Retrieved from Internet, URL: <<https://www.amazon.com/Vanquisher-Industrial-Survival-Enterprise-Mobility/dp/B01J67BJHK>> (Year: 2016).*

(Continued)

Primary Examiner — Barbara Fox

Assistant Examiner — Aram Kwon

(74) *Attorney, Agent, or Firm* — J.C. Patents

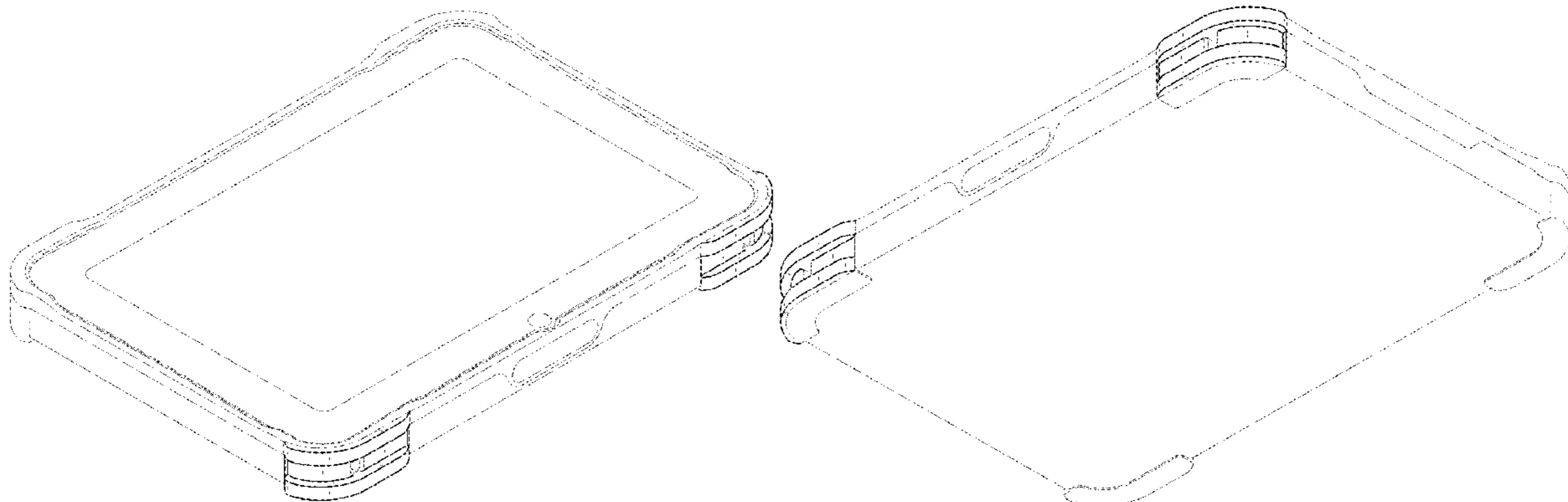
(57) **CLAIM**

The ornamental design for a tablet computer, as shown and described.

DESCRIPTION

FIG. 1 is a perspective view of a tablet computer showing our new design;
FIG. 2 is another perspective view thereof;
FIG. 3 is a front view thereof;
FIG. 4 is a rear view thereof;
FIG. 5 is a left side view thereof;
FIG. 6 is a right side view thereof;
FIG. 7 is a top view thereof; and,
FIG. 8 is a bottom view thereof.
The dashed broken lines illustrate portions of the tablet computer that form no part of the claimed design. The dot-dash broken lines represent the boundaries of the claimed design, and form no part thereof.

1 Claim, 6 Drawing Sheets



(56)

References Cited

U.S. PATENT DOCUMENTS

D703,665	S	*	4/2014	Suzuki	D14/341
D719,565	S	*	12/2014	Hirayama	D14/341
D746,278	S	*	12/2015	Chen	D14/341
D781,284	S	*	3/2017	Suzuki	D14/341
D783,604	S	*	4/2017	Wesolek	D14/341
D785,618	S	*	5/2017	Schwibner	D14/341
D792,886	S	*	7/2017	Schwibner	D14/440
D793,383	S	*	8/2017	Cai	D14/341
D818,466	S	*	5/2018	Chang	D14/341
D826,931	S	*	8/2018	Chang	D14/341
D871,396	S	*	12/2019	Nakajima	D14/341
D902,934	S	*	11/2020	Manzano	D14/440
D910,008	S	*	2/2021	Shi	D14/341
D929,404	S	*	8/2021	Watanabe	D14/426
D937,842	S	*	12/2021	Hung	D14/440
D938,292	S	*	12/2021	Lu	D13/124
D938,841	S	*	12/2021	Lu	D10/78
D939,368	S	*	12/2021	Lu	D10/78
2021/0278880	A1	*	9/2021	Chang	E05B 65/0067

FOREIGN PATENT DOCUMENTS

CN	307191876	*	3/2022
CN	307191877	*	3/2022
JP	D1484895		11/2013
TW	208933-0001	*	12/2020
TW	211972-0001	*	6/2021

OTHER PUBLICATIONS

Latitude 7212 Rugged Extreme Tablet, date first available: Mar. 17, 2019, [retrieved Apr. 6, 2022], Retrieved from Internet, URL: <https://www.amazon.com/dp/B07PQ485PL/ref=sspa_dk_detail_5?psc=1&pf_rd_p=b9951ce4-3bd8-4b04-9123-0fda35d6155e&pd_rd_wg=qQ1Rw&pf_r%E2%80%A6> (Year: 2019).*

Resilient A8 by Minno, date first available: Oct. 19, 2021, [retrieved Apr. 6, 2022], Retrieved from Internet, URL: <https://www.amazon.com/dp/B09JV3ZJGK/ref=sspa_dk_detail_5?psc=1&pf_rd_p=b9951ce4-3bd8-4b04-9123-0fda35d6155e&pd_rd_wg=k4SdM&pf_r%E2%80%A6> (Year: 2021).*

Getac T800 G2 rugged tablet, Jul. 4, 2016, [retrieved Apr. 6, 2022], Retrieved from Internet, URL: <<https://www.notebookcheck.net/Getac-T800-G2-rugged-tablet-with-Atom-x7-Z8700-SoC-now-available.168526.0.html>> (Year: 2016).*

Storm100, date not available, [retrieved Apr. 6, 2022], Retrieved from Internet, URL: <<https://7starlake.com/products/defense/tablet/storm100>> (Year: 2022).*

Bumpies smartphone corner protector, Sep. 18, 2014, [retrieved Apr. 8, 2022], Retrieved from Internet, URL: <<https://the-gadgeteer.com/2014/09/18/bumpies-smartphone-corner-protector-review/>> (Year: 2014).*

Fit N' Grip Universal Case, date not available, [retrieved Apr. 8, 2022], Retrieved from Internet, URL: <<https://www.targus.com/za/fit-n-grip-universal-case-for-7-8-inch-tablets-black-thz589eu>> (Year: 2022).*

iCorners iPad Corner Protector, Jun. 5, 2014, [retrieved Apr. 8, 2022], Retrieved from Internet, URL: <<https://www.geeky-gadgets.com/icorners-ipad-corner-protector-offers-minimal-caseless-design-05-06-2014/>> (Year: 2014).*

* cited by examiner

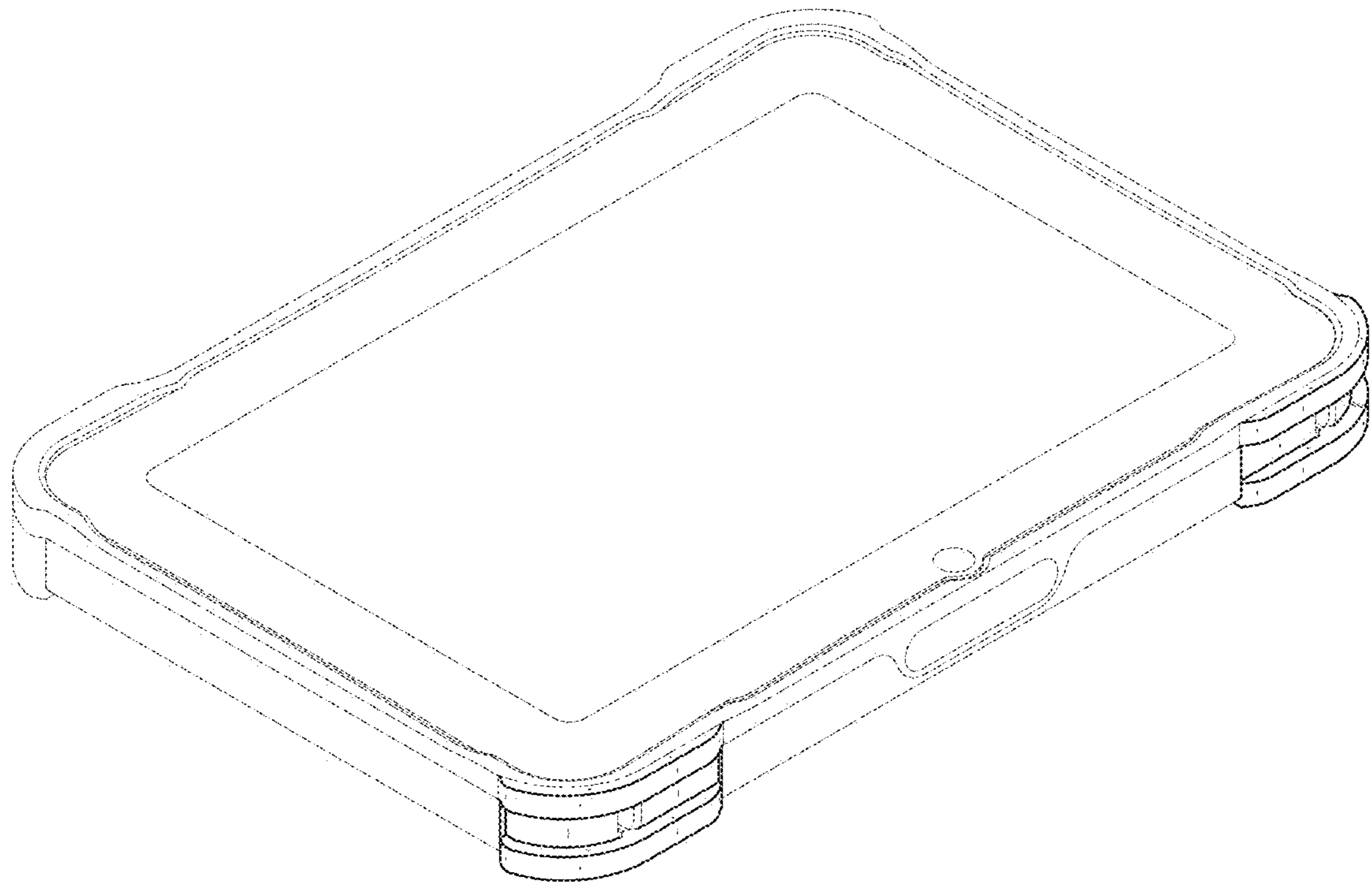


FIG. 1

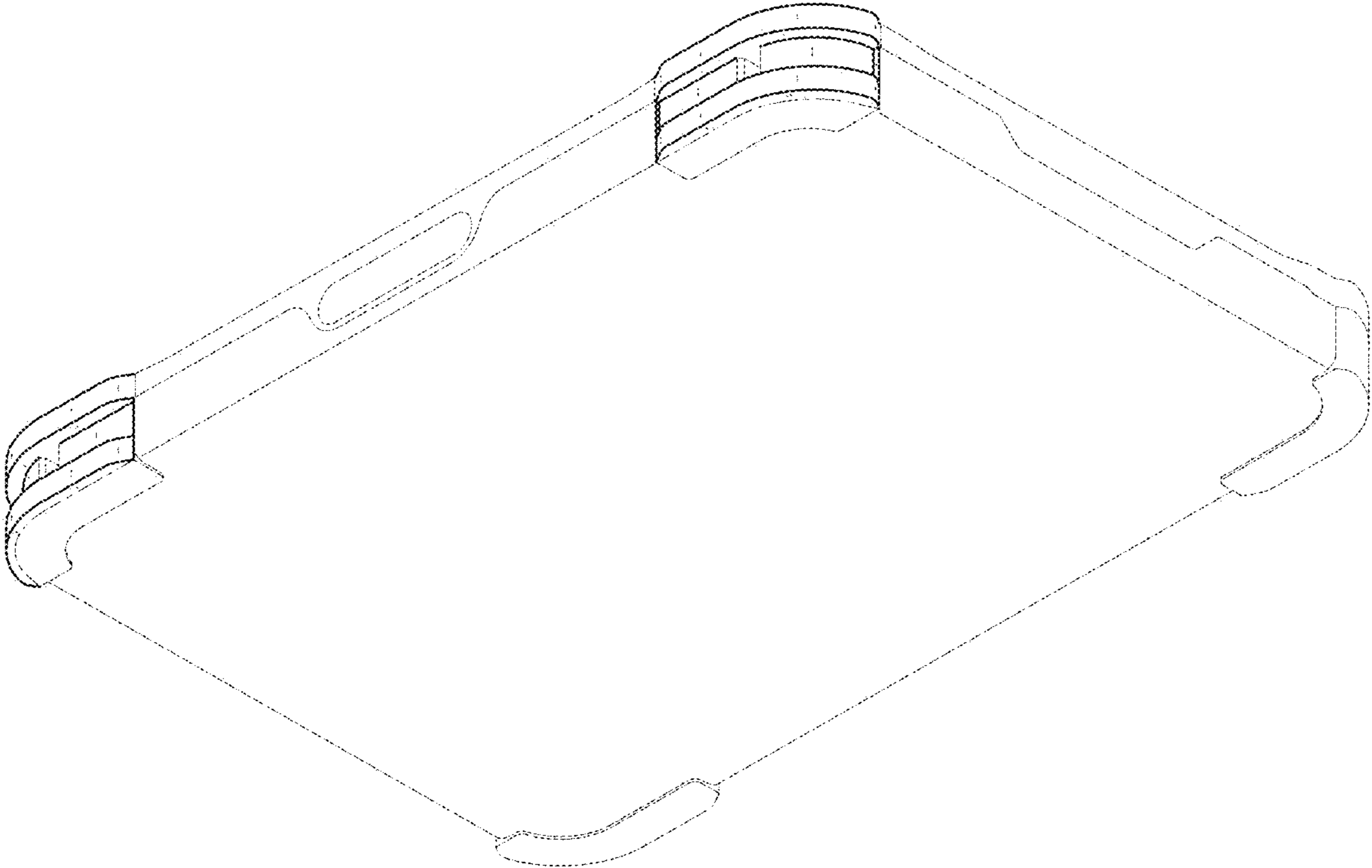


FIG. 2

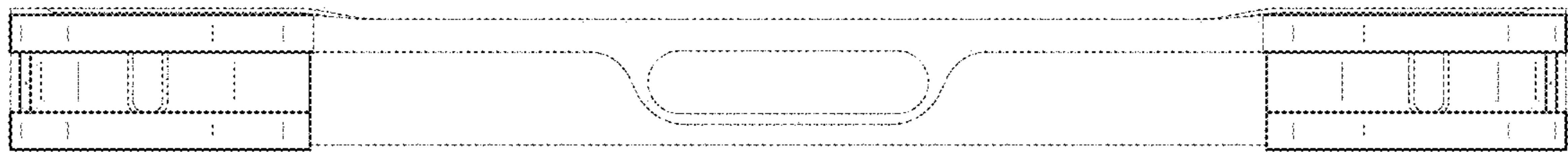


FIG. 3

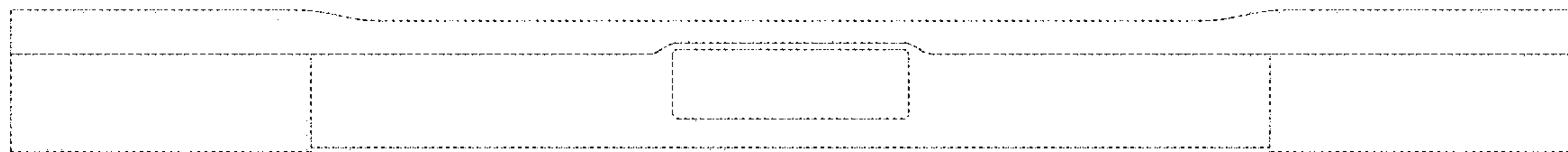


FIG. 4

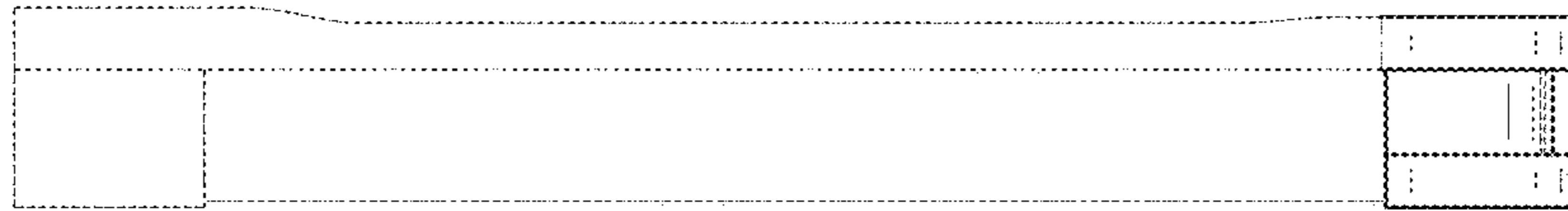


FIG. 5

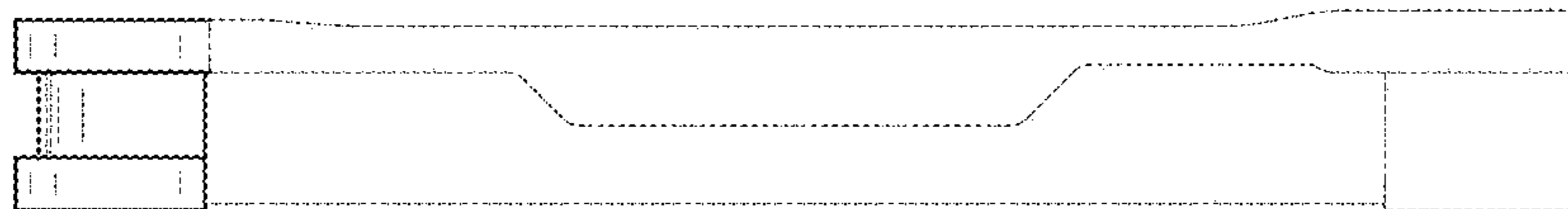


FIG. 6

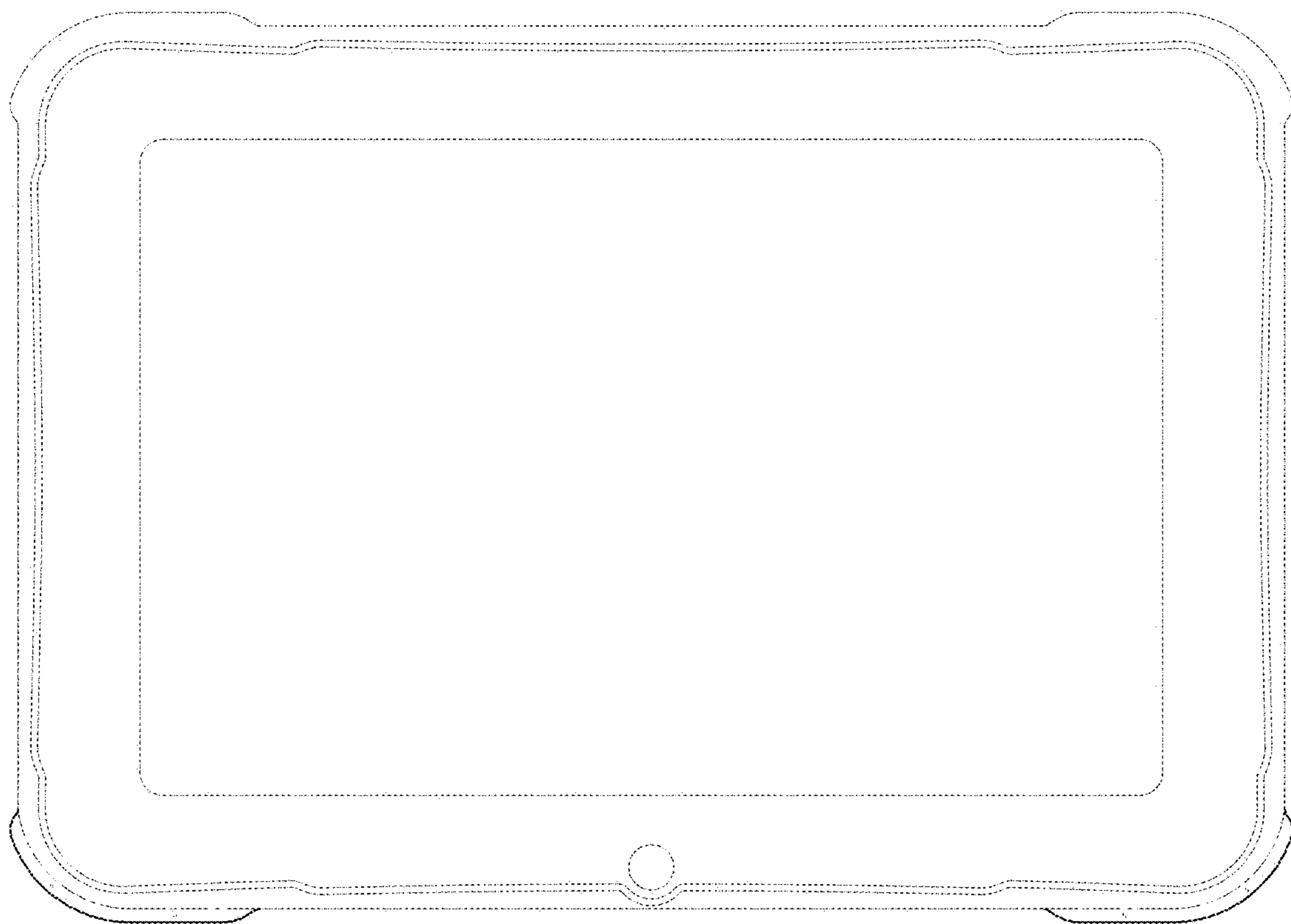


FIG. 7

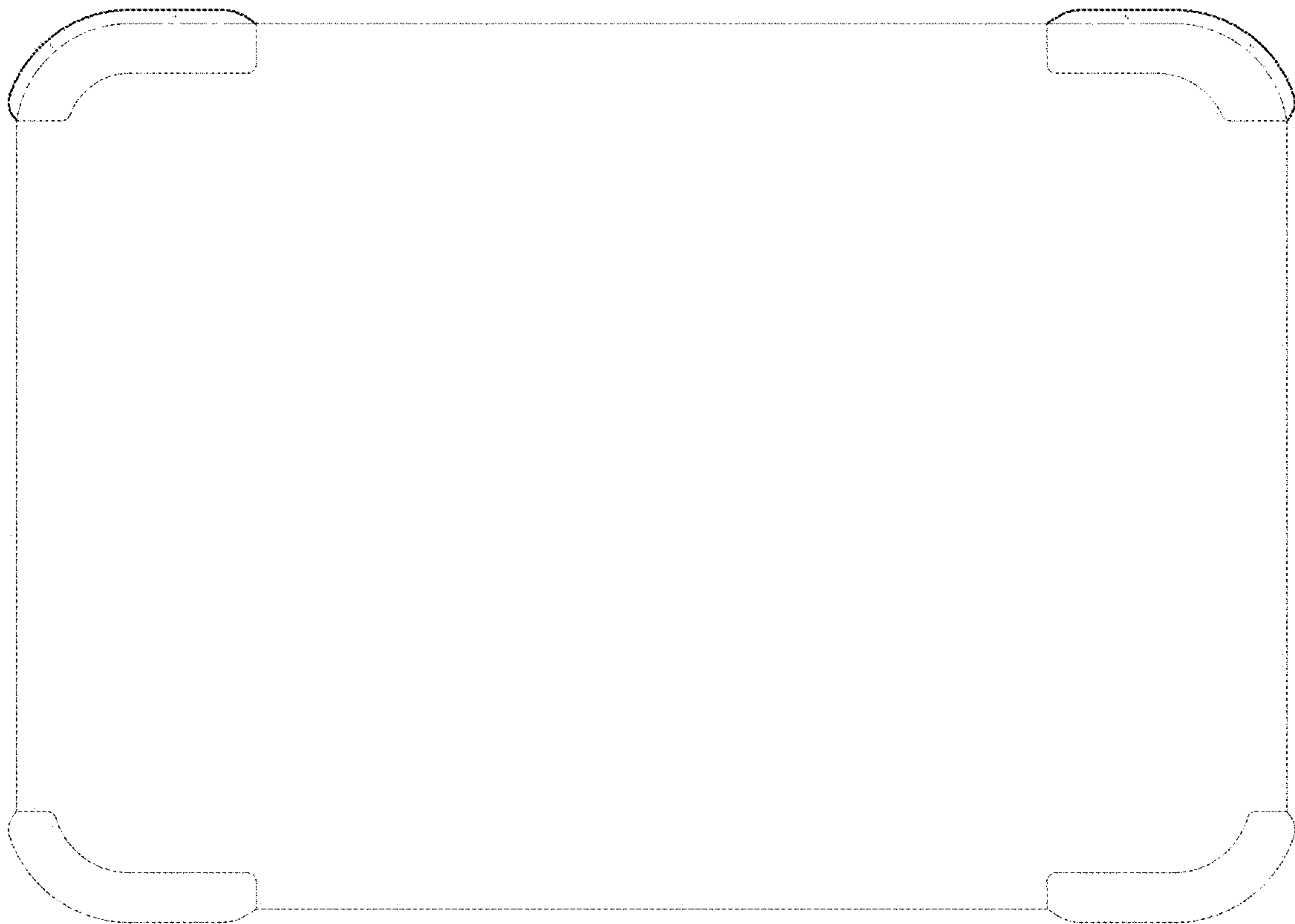


FIG. 8