



US00D957373S

(12) **United States Design Patent**
Wang et al.

(10) **Patent No.:** **US D957,373 S**
(45) **Date of Patent:** **** Jul. 12, 2022**

(54) **PROMPTER**

(71) Applicant: **SHENZHEN NEEWER TECHNOLOGY CO. LTD**, Shenzhen (CN)

(72) Inventors: **Jun Wang**, Shenzhen (CN); **Yan Ke**, Shenzhen (CN)

(73) Assignee: **SHENZHEN NEEWER TECHNOLOGY CO. LTD**, Shenzhen (CN)

(**) Term: **15 Years**

(21) Appl. No.: **29/795,763**

(22) Filed: **Jun. 21, 2021**

(51) **LOC (13) Cl.** **14-03**

(52) **U.S. Cl.**
USPC **D14/239**

(58) **Field of Classification Search**
USPC D14/239, 155, 172, 194, 204, 221;
D16/202, 205, 208, 216, 218, 219
CPC G03B 15/03; G03B 17/02; G03B 17/04;
G03B 17/56; G03B 19/04; H04N 5/2251;
H04N 5/2252; H04N 5/2253; H04N
5/2254; H04N 2101/00
See application file for complete search history.

(56) **References Cited**

U.S. PATENT DOCUMENTS

D188,076 S 5/1960 Barrera
D261,836 S * 11/1981 Eisenberg D8/380
D339,590 S * 9/1993 Zeper D14/239

D519,099 S * 4/2006 Liu D14/137
D722,096 S * 2/2015 Ann D16/218
D744,574 S * 12/2015 Zhan D16/219
D744,575 S * 12/2015 Zhan D16/219
D744,578 S * 12/2015 Zhan D16/237

* cited by examiner

Primary Examiner — Ramzi Almatrahi

(74) *Attorney, Agent, or Firm* — Westbridge IP LLC

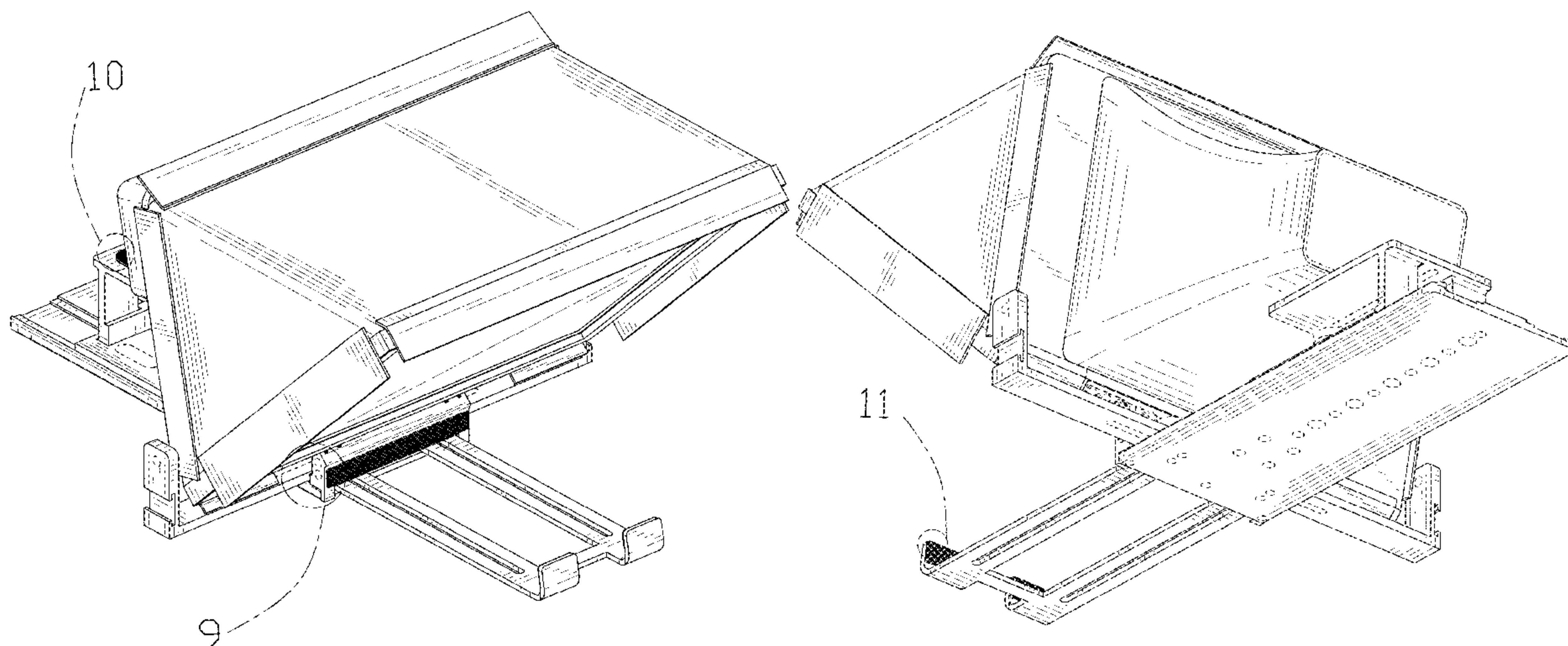
(57) **CLAIM**

The ornamental design for a prompter, as shown and described.

DESCRIPTION

FIG. 1 is a top, front and left side perspective view of a prompter showing our new design;
FIG. 2 is a bottom, rear and right side perspective view thereof;
FIG. 3 is a front elevation view thereof;
FIG. 4 is a rear elevation view thereof;
FIG. 5 is a left side elevation view thereof;
FIG. 6 is a right side elevation view thereof;
FIG. 7 is a top plan view thereof;
FIG. 8 is a bottom plan view thereof;
FIG. 9 is an enlarged view of portion 9 shown in FIG. 1;
FIG. 10 is an enlarged view of portion 10 shown in FIG. 1;
and,
FIG. 11 is an enlarged view of portion 11 shown in FIG. 2.
The broken lines depict portions of the prompter that form no part of the claimed design. The dot-dash broken lines encircling an enlargement portion of the design form no part of the claimed design.

1 Claim, 11 Drawing Sheets



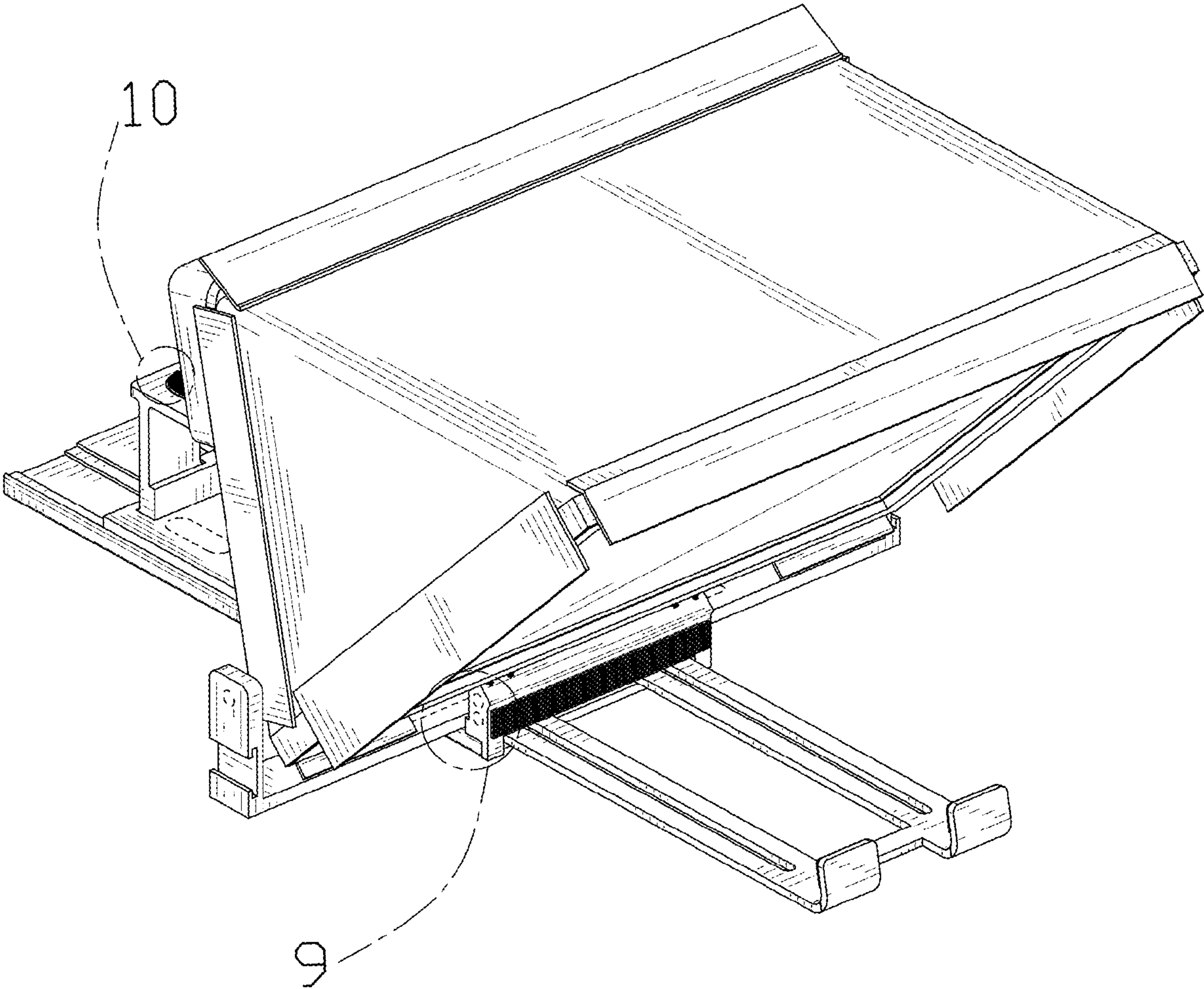


FIG. 1

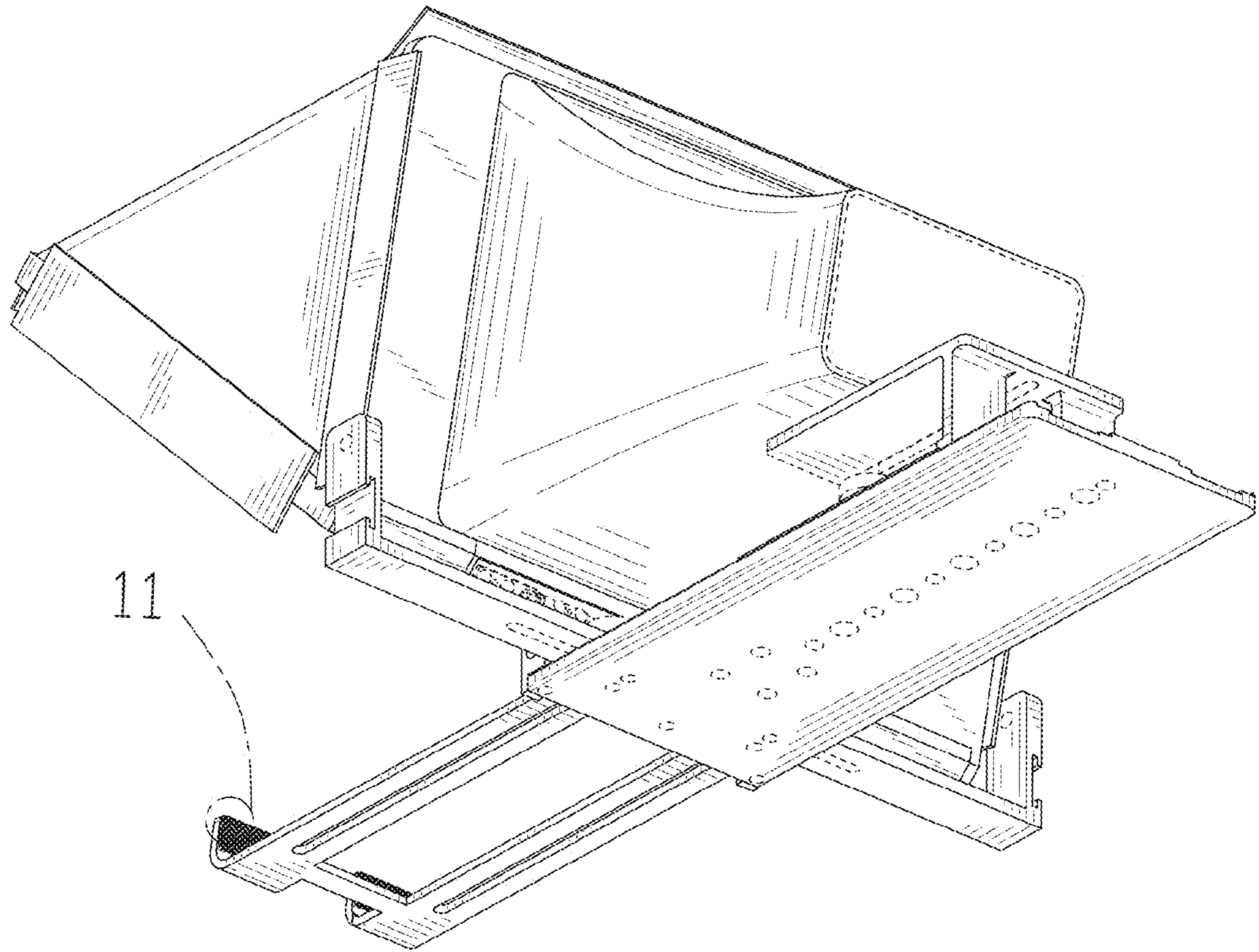


FIG. 2

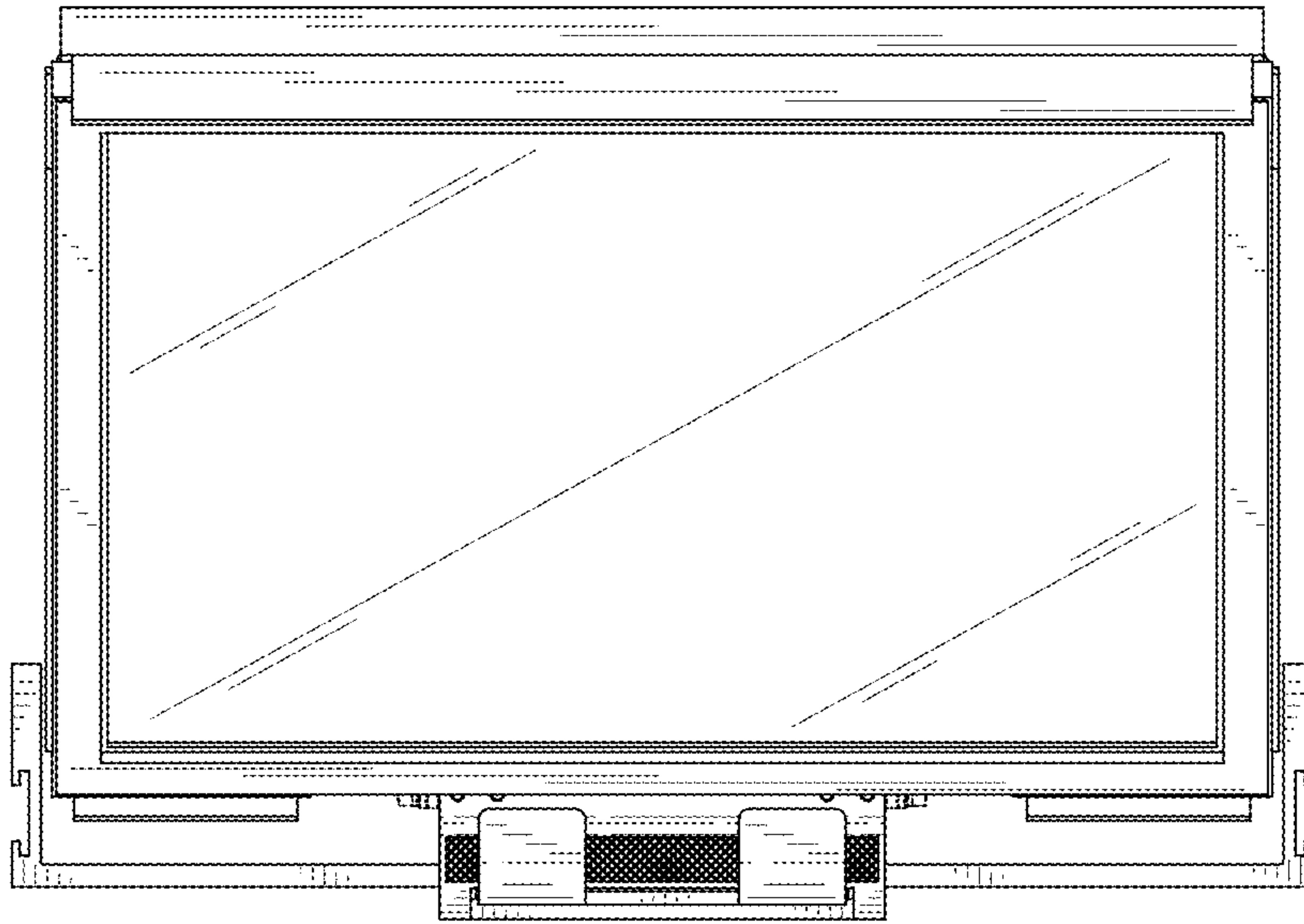


FIG. 3

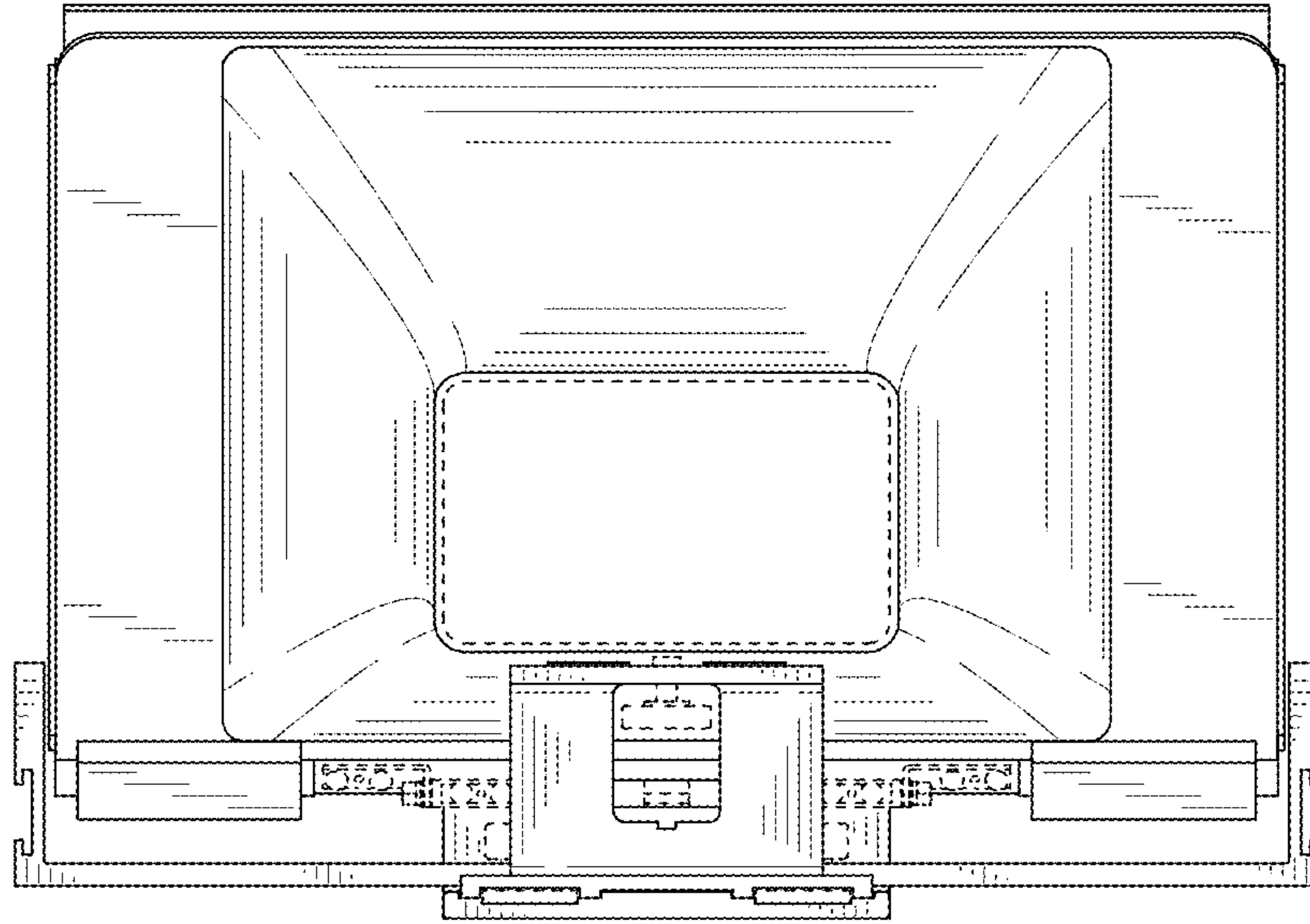


FIG. 4

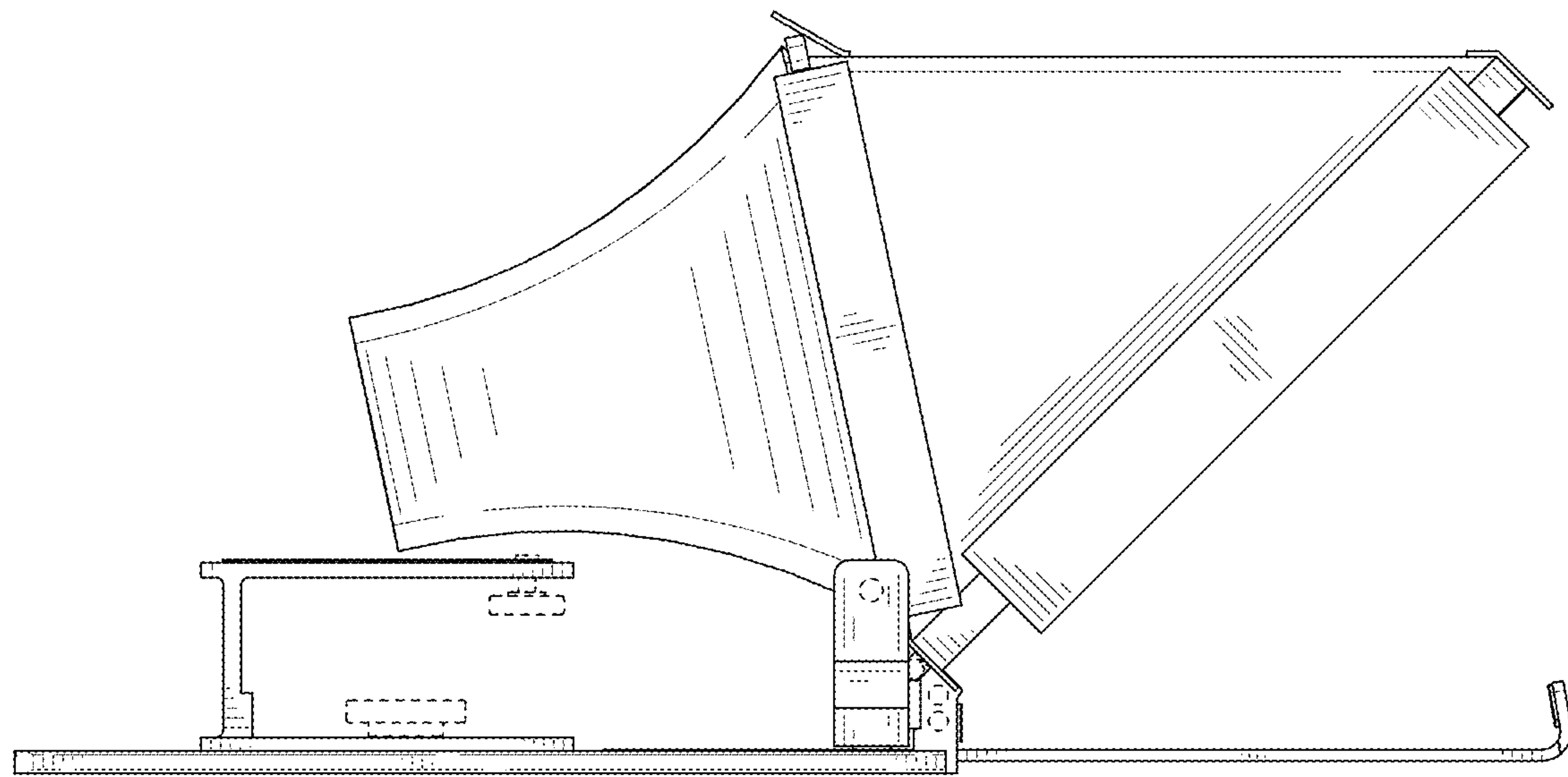


FIG. 5

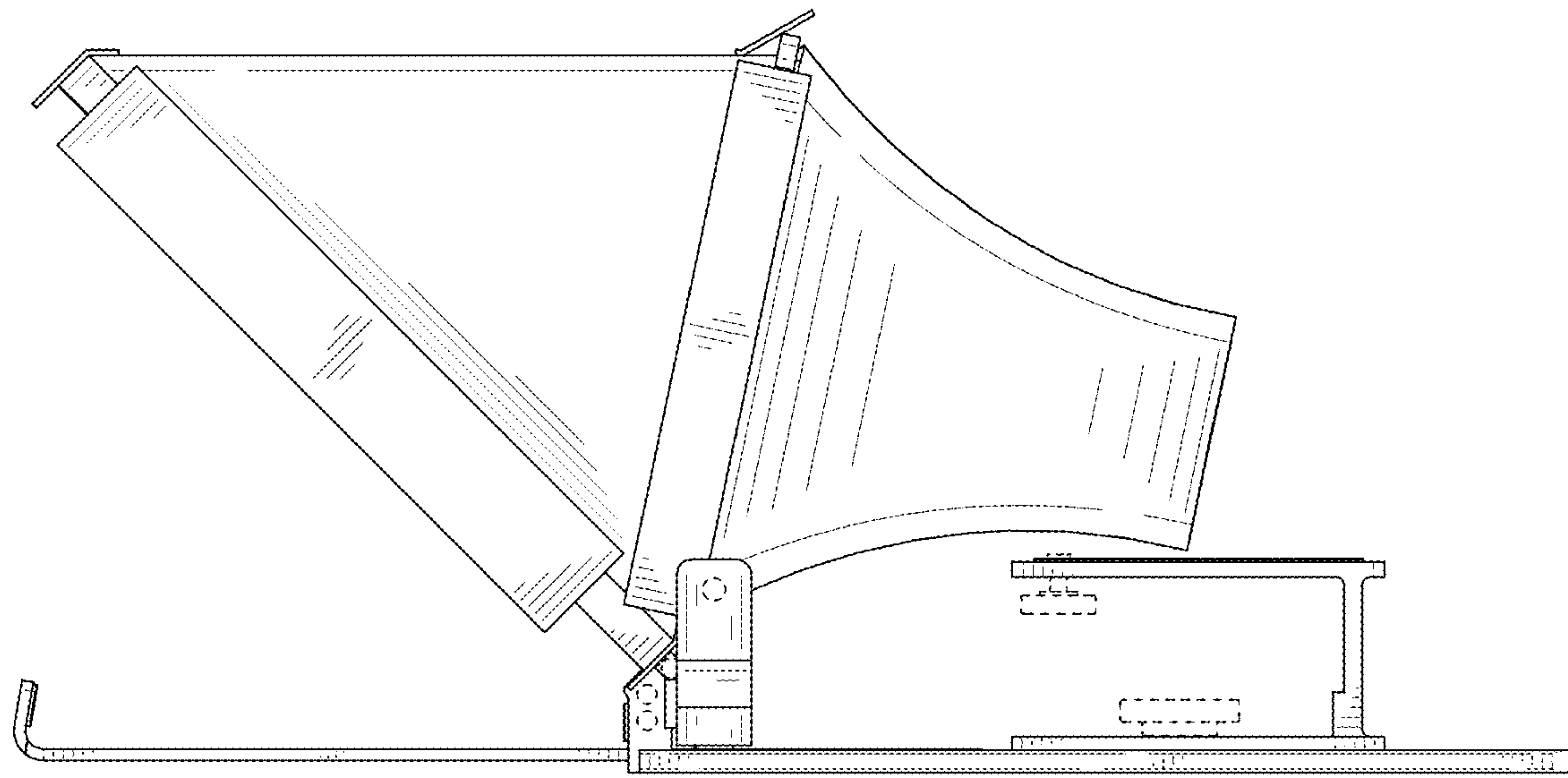


FIG. 6

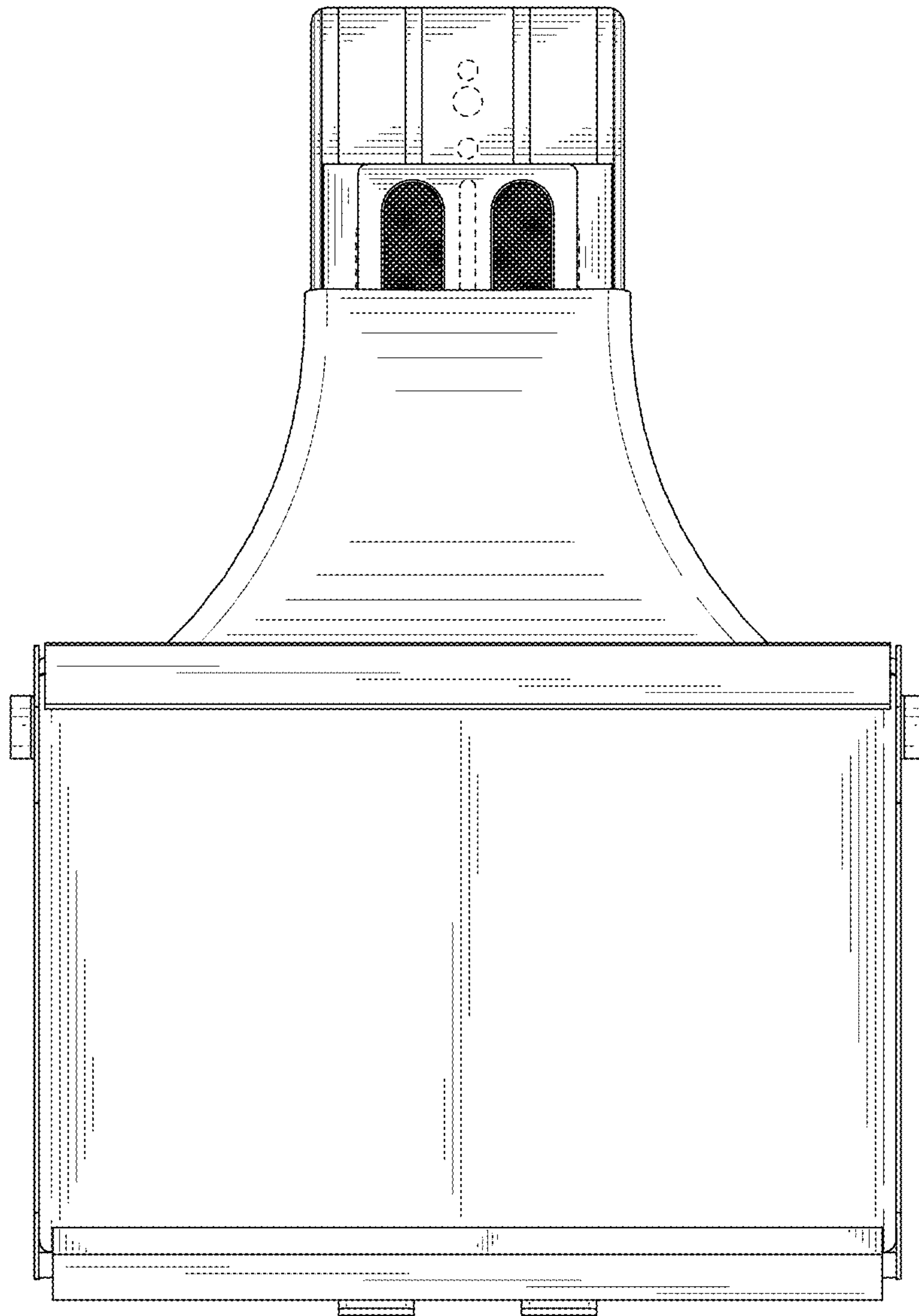


FIG. 7

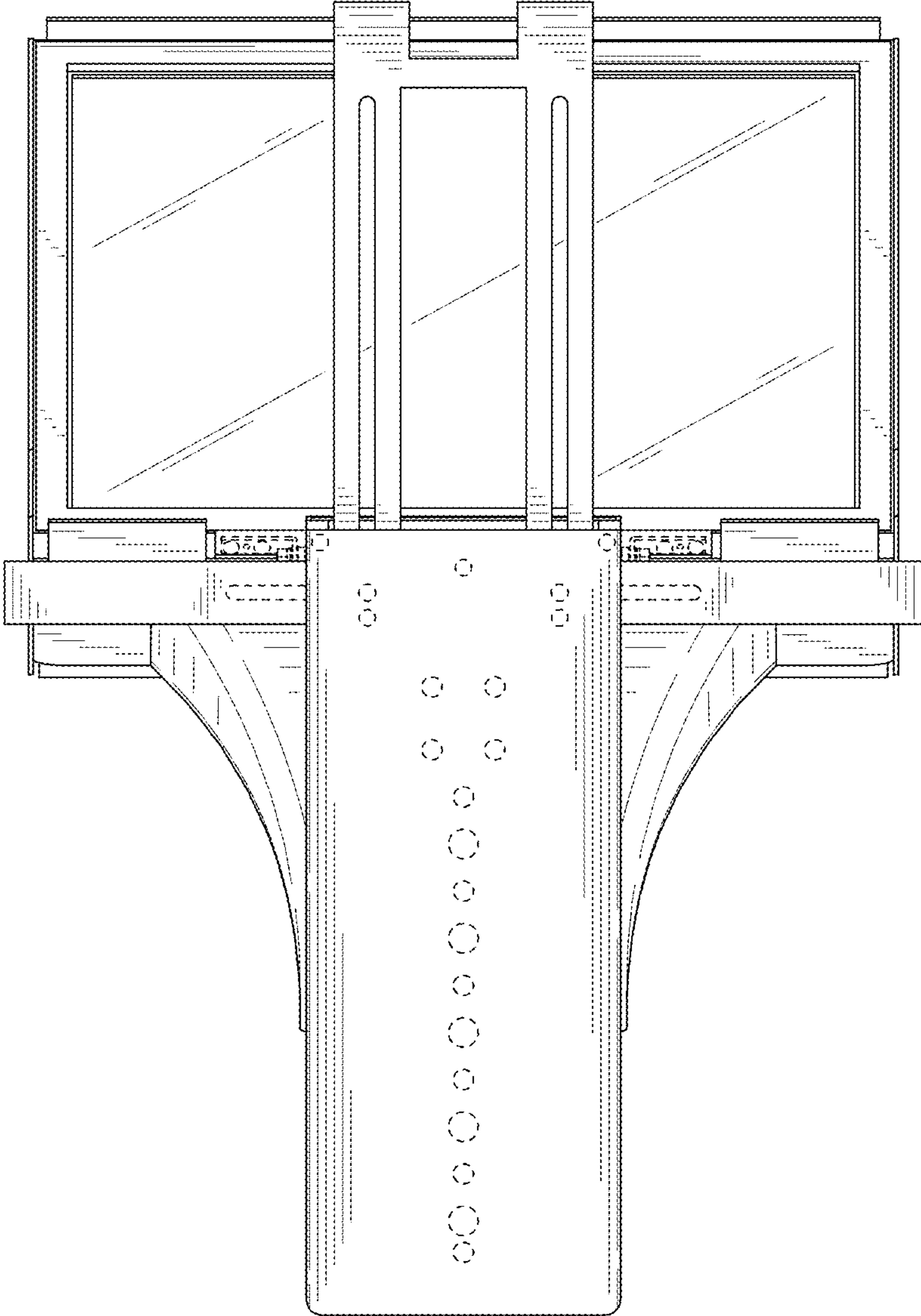


FIG. 8

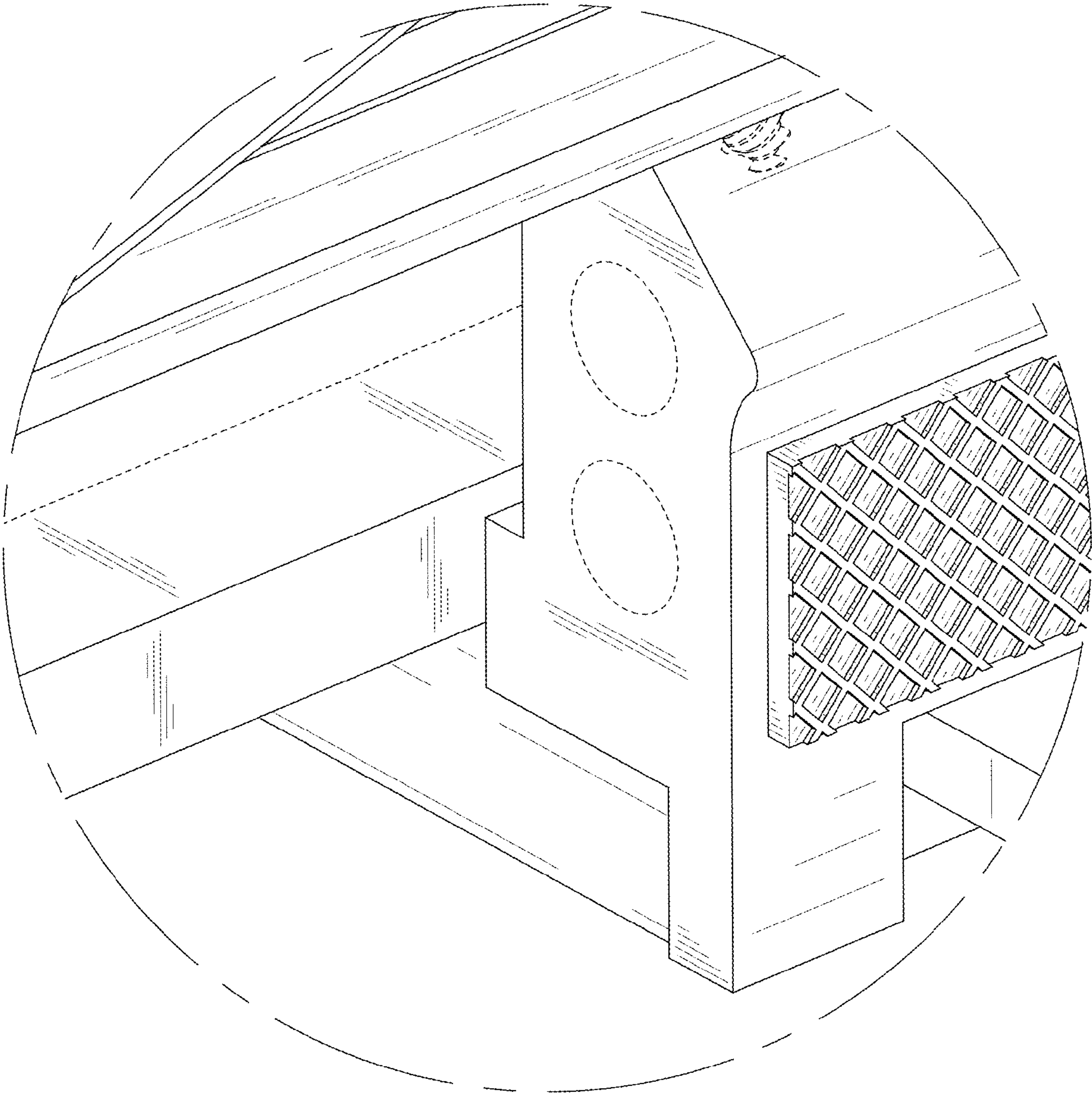


FIG. 9

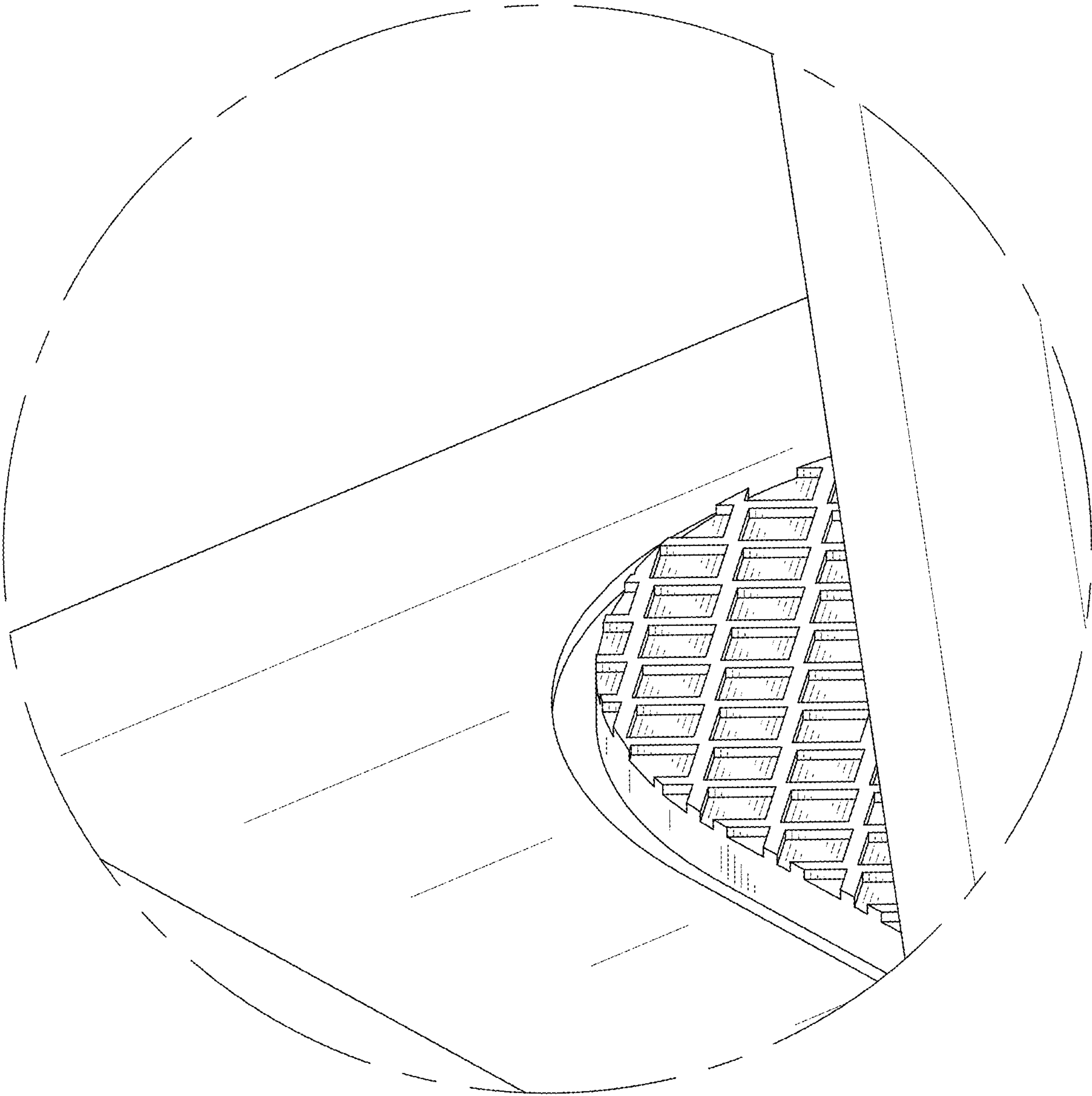


FIG. 10

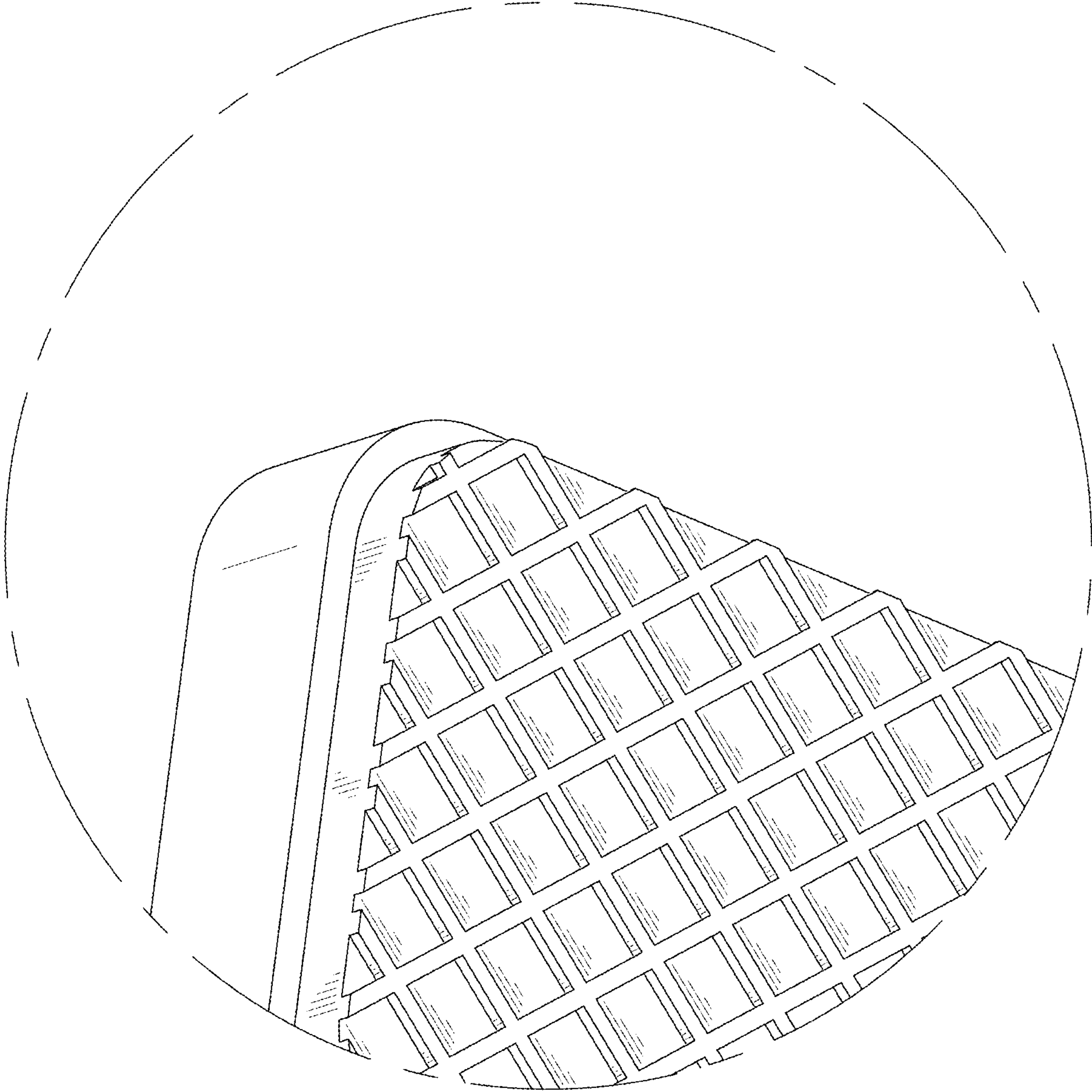


FIG. 11