



US00D957372S

(12) **United States Design Patent** (10) **Patent No.:** **US D957,372 S**
Feng (45) **Date of Patent:** **** Jul. 12, 2022**

(54) **DISPLAY MOUNT**

(71) Applicant: **SHENZHEN BESTQI INNOVATION TECHNOLOGY CO., LTD**, Shenzhen (CN)

(72) Inventor: **Keni Feng**, Shenzhen (CN)

(73) Assignee: **SHENZHEN BESTQI INNOVATION TECHNOLOGY CO., LTD**, Shenzhen (CN)

(**) Term: **15 Years**

(21) Appl. No.: **29/758,682**

(22) Filed: **Nov. 17, 2020**

(51) **LOC (13) Cl.** **14-02**

(52) **U.S. Cl.**
USPC **D14/239**

(58) **Field of Classification Search**
USPC D14/239, 371, 372, 373, 374, 375, 376, D14/377, 447-450, 451, 452, 335-337, D14/125, 127, 128, 129, 341, 126; D8/355, 363, 373; D6/672, 682
CPC F16M 11/2085; F16M 11/2092; F16M 11/2007; F16M 11/2014; F16M 11/2021; F16M 11/105; F16M 11/048; F16M 11/12; F16M 13/022; F16M 11/10
See application file for complete search history.

(56) **References Cited**

U.S. PATENT DOCUMENTS

D539,125 S * 3/2007 Ly Hau D8/373
7,854,415 B2 * 12/2010 Holbrook F16M 11/18
248/125.2
D849,727 S * 5/2019 van Til D14/239
D858,493 S * 9/2019 Pei D14/239
D915,362 S * 4/2021 Pei D14/239
D916,063 S * 4/2021 Lyu D14/239
D916,710 S * 4/2021 Jia D14/452
D928,753 S * 8/2021 Lyu D14/239
D933,671 S * 10/2021 Lyu D14/452
D934,209 S * 10/2021 Lyu D14/239

D935,873 S * 11/2021 Chen D8/363
D936,044 S * 11/2021 Feng D14/239
2019/0390817 A1 * 12/2019 Pei F16M 11/10

FOREIGN PATENT DOCUMENTS

CN 303226100 * 5/2015
CN 305081298 * 3/2019
CN 307003122 * 12/2021

OTHER PUBLICATIONS

Amazon. Link: https://www.amazon.com/Bracket-Articulating-Extension-Rotation-Supports/dp/B089NPZ4QV/ref=sr_1_3?crid=19U1E7718JSL0&keywords=B089NPZ4QV&qid=1641576840&s=electronics&sprefix=b089npz4qv%2Celectronics%2C62&sr=1-3. Jun. 4, 2020. Perlesmith TV Wall Mount Full Motion Bracket. (Year: 2020).*

Amazon. Link: https://www.amazon.com/Corner-Motion-Bracket-Curved-600x400/dp/B082VSGQ5R/ref=sr_1_1?crid=32LW04CSJWAO8&keywords=B082VSGQ5R&qid=1642598803&sprefix=b082vsgq5r%2Caps%2C48&sr=8-1 Feb. 15, 2020. Perlesmith Corner TV Wall Mount Full Motion—Corner TV Bracket. (Year: 2020).*

* cited by examiner

Primary Examiner — Lauren D McVey

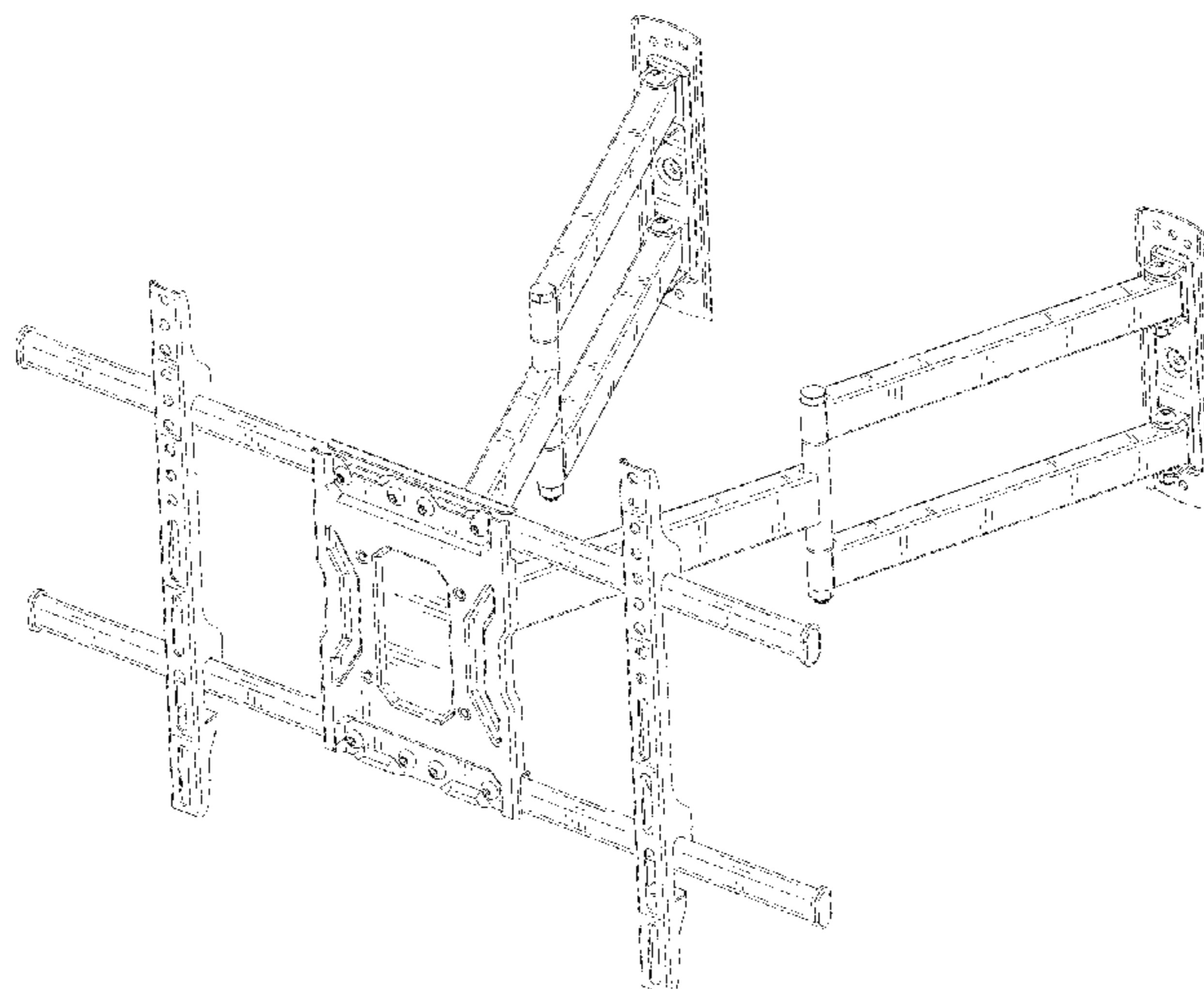
(57) **CLAIM**

The ornamental design for a display mount, as shown and described.

DESCRIPTION

FIG. 1 is a perspective view of a display mount showing my new design;
FIG. 2 is another perspective view thereof;
FIG. 3 is a front elevational view thereof;
FIG. 4 is a rear elevational view thereof;
FIG. 5 is a left side elevational view thereof;
FIG. 6 is a right side elevational view thereof;
FIG. 7 is a top plan view thereof; and,
FIG. 8 is a bottom plan view thereof.

1 Claim, 8 Drawing Sheets



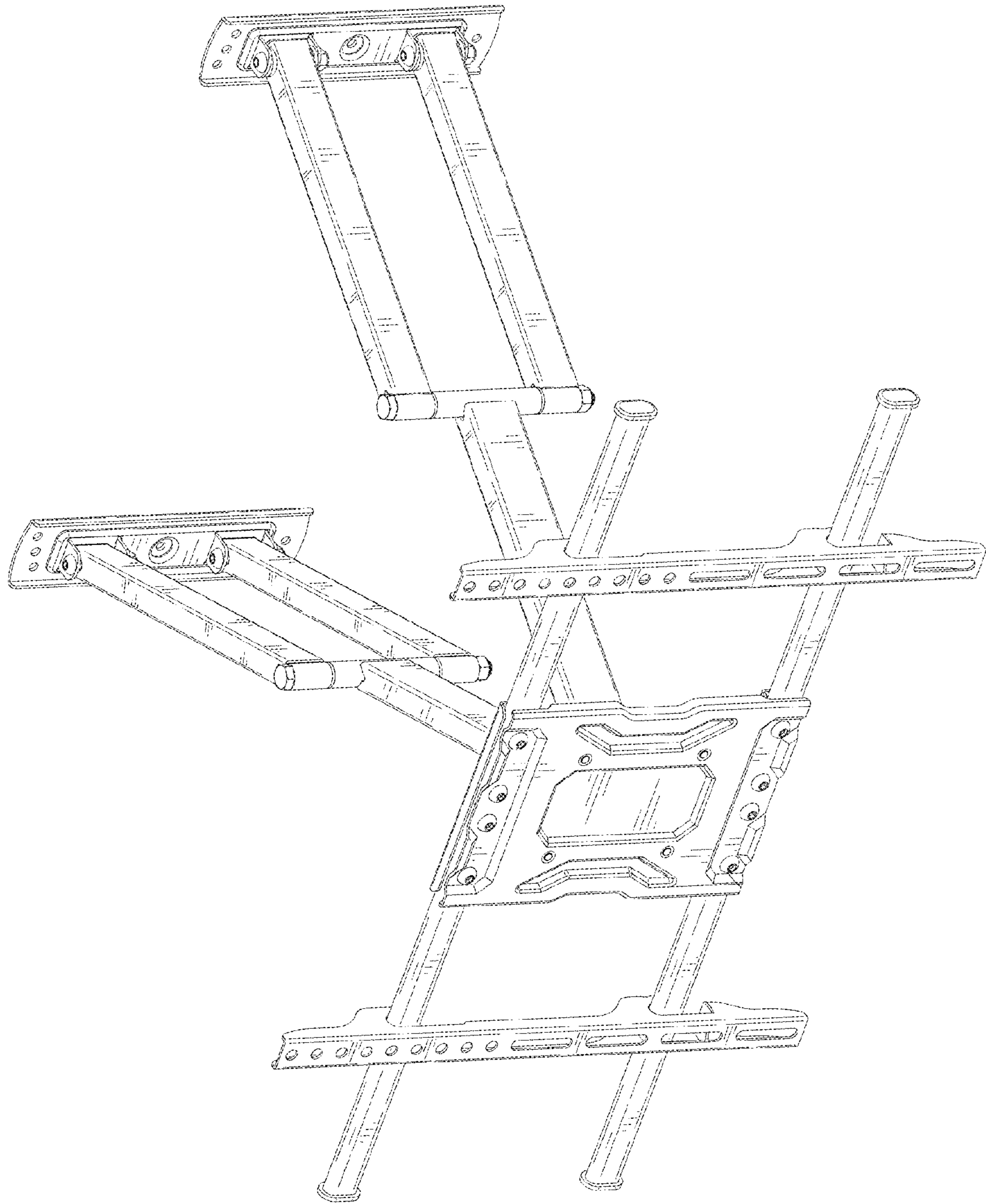


FIG. 1

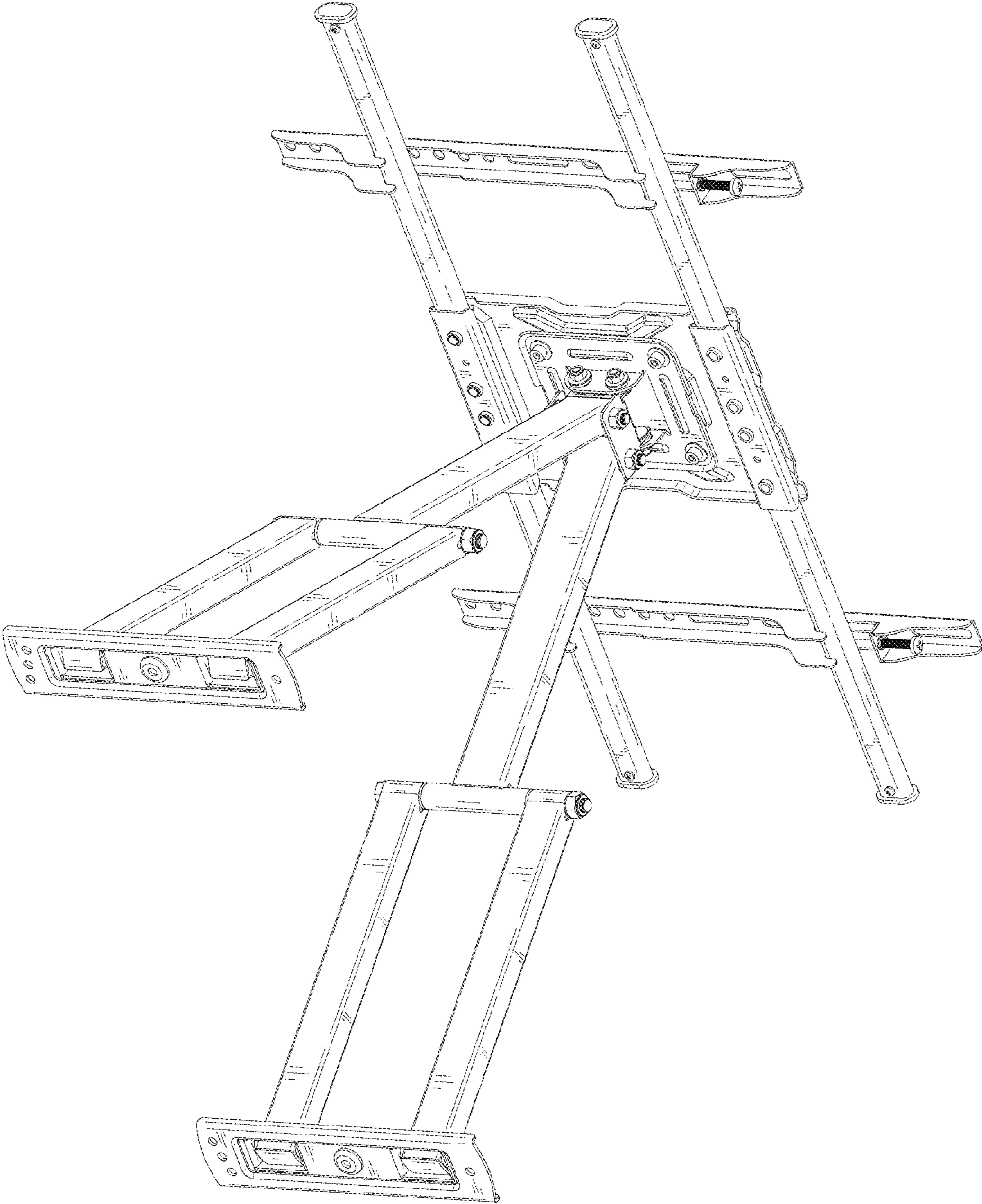


FIG. 2

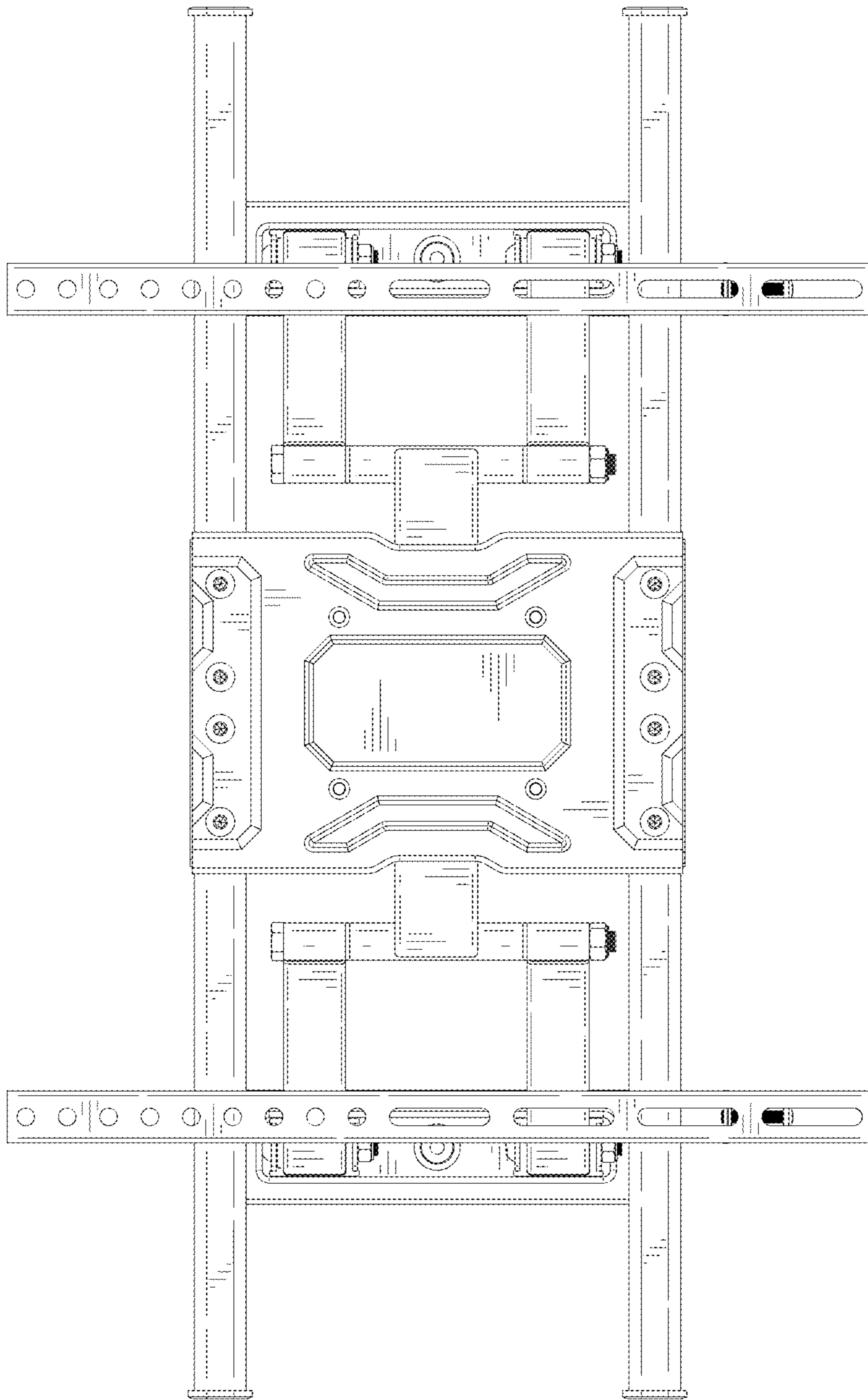


FIG. 3

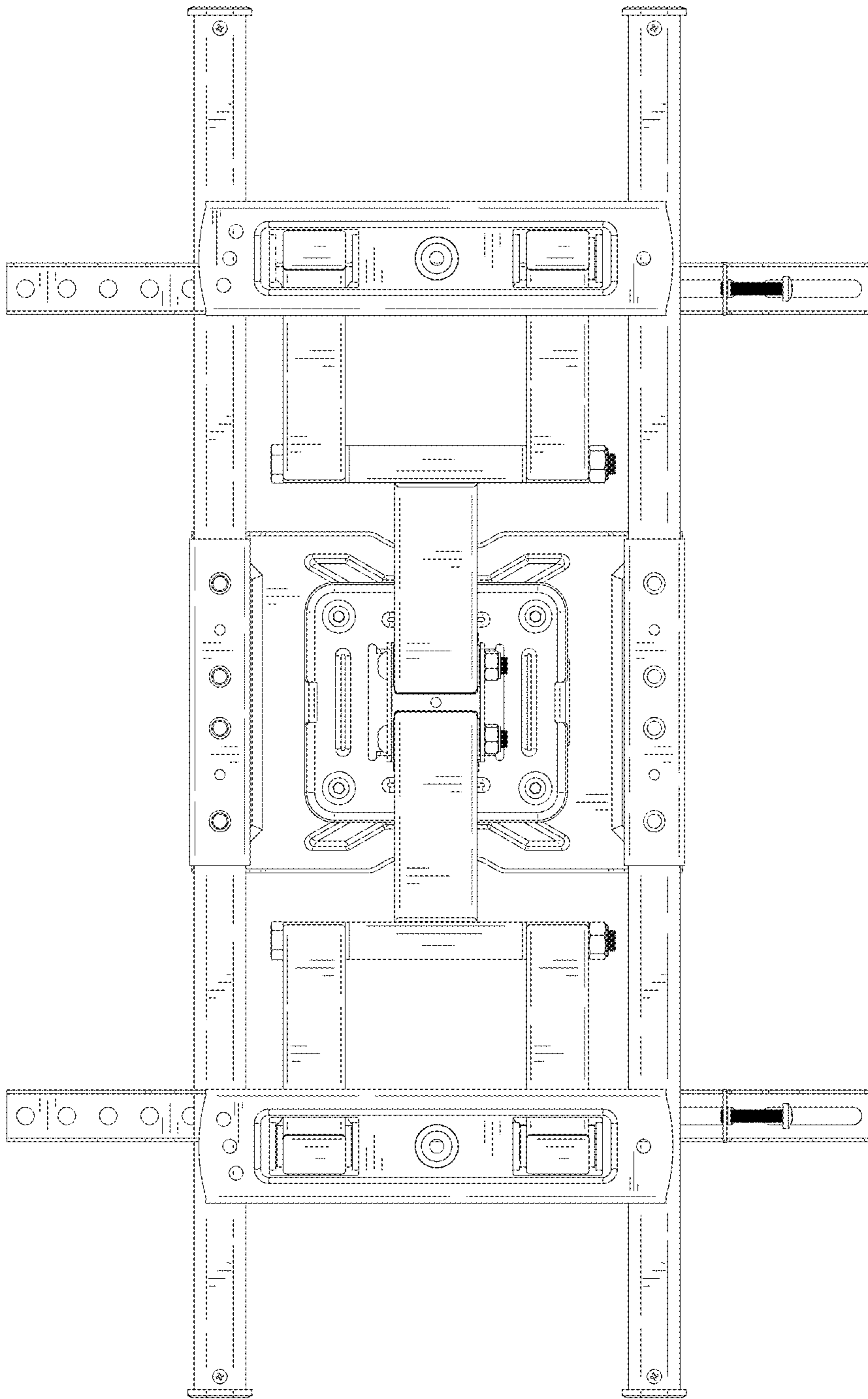


FIG. 4

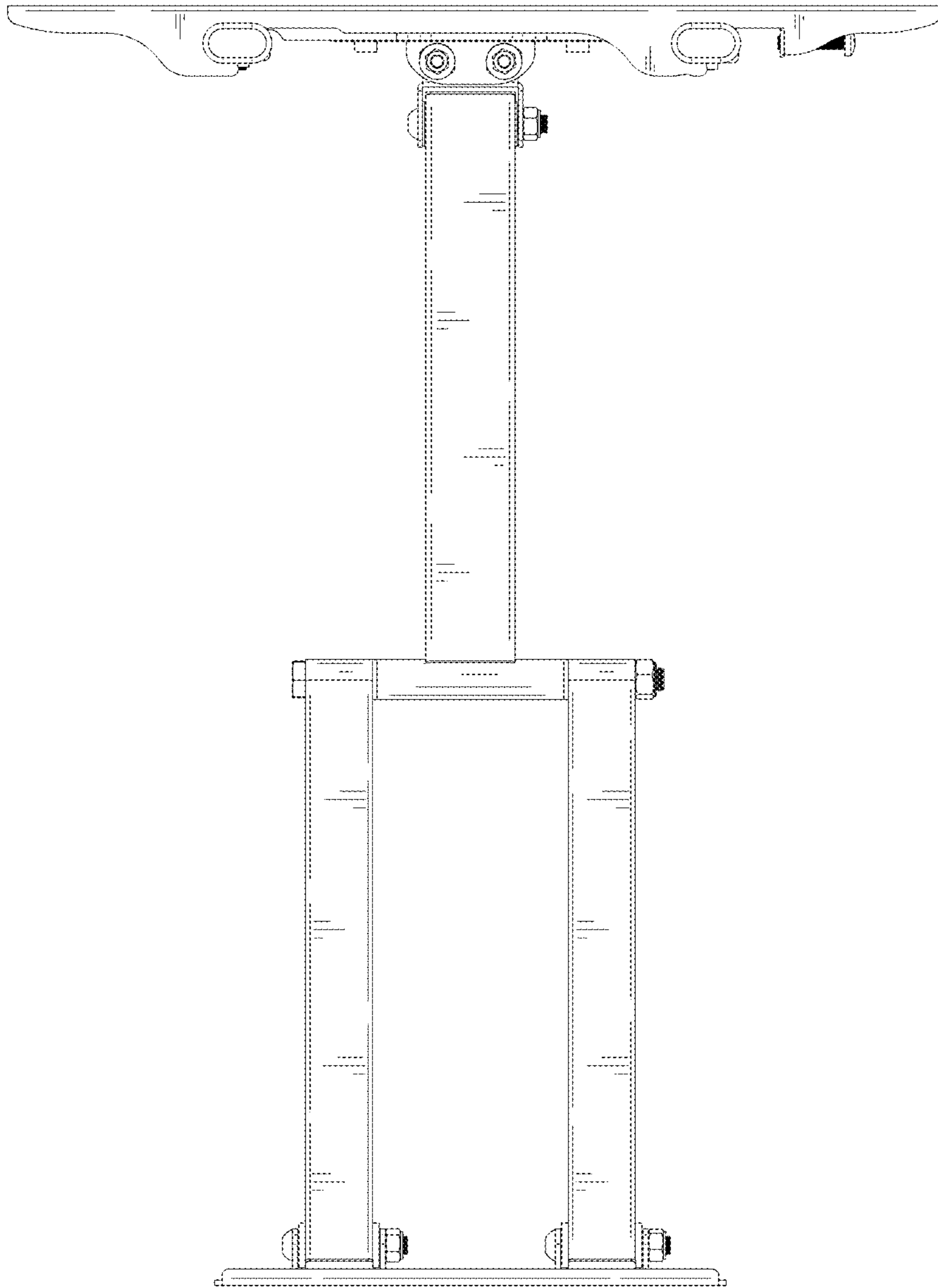


FIG. 5

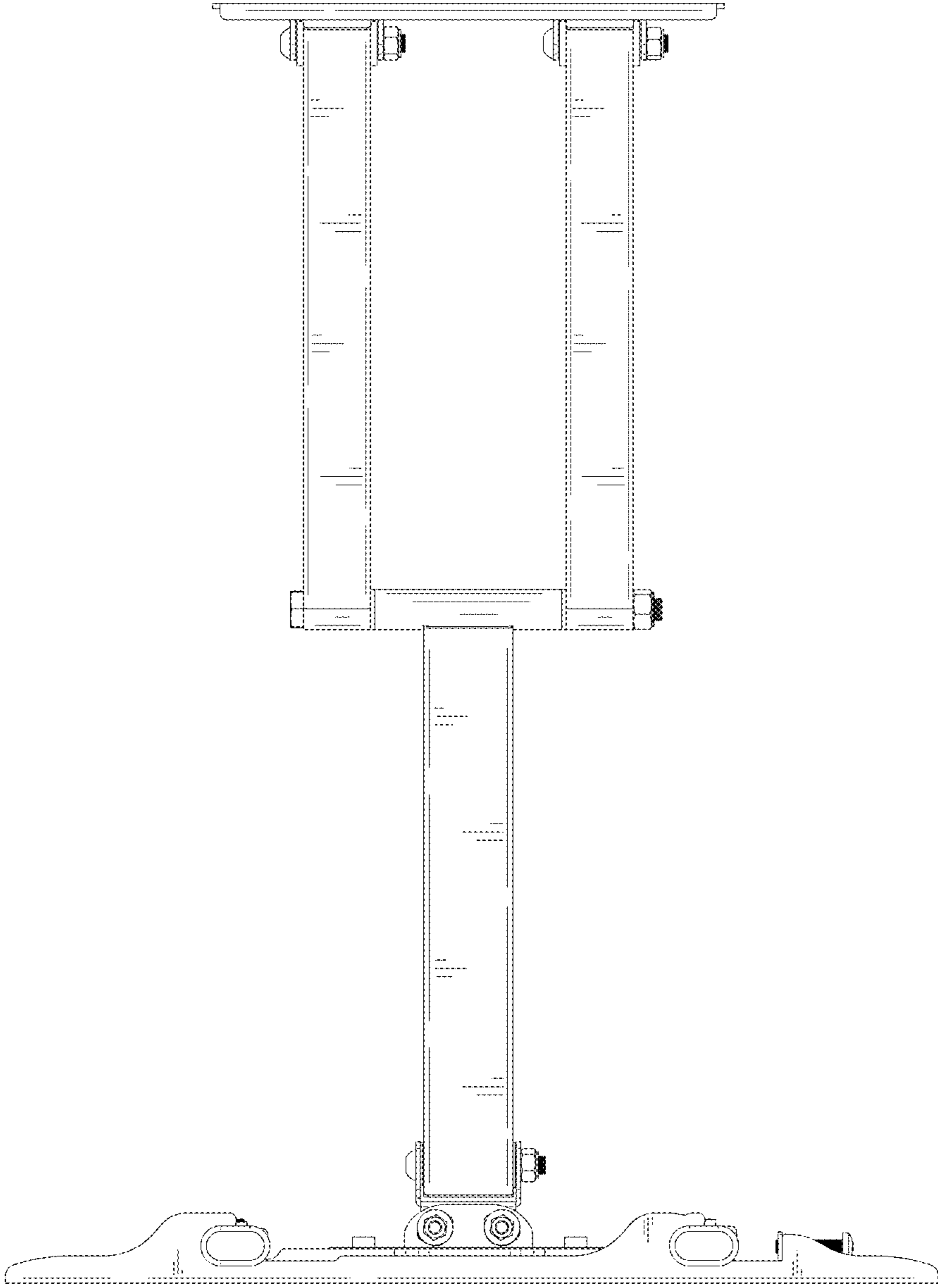


FIG. 6

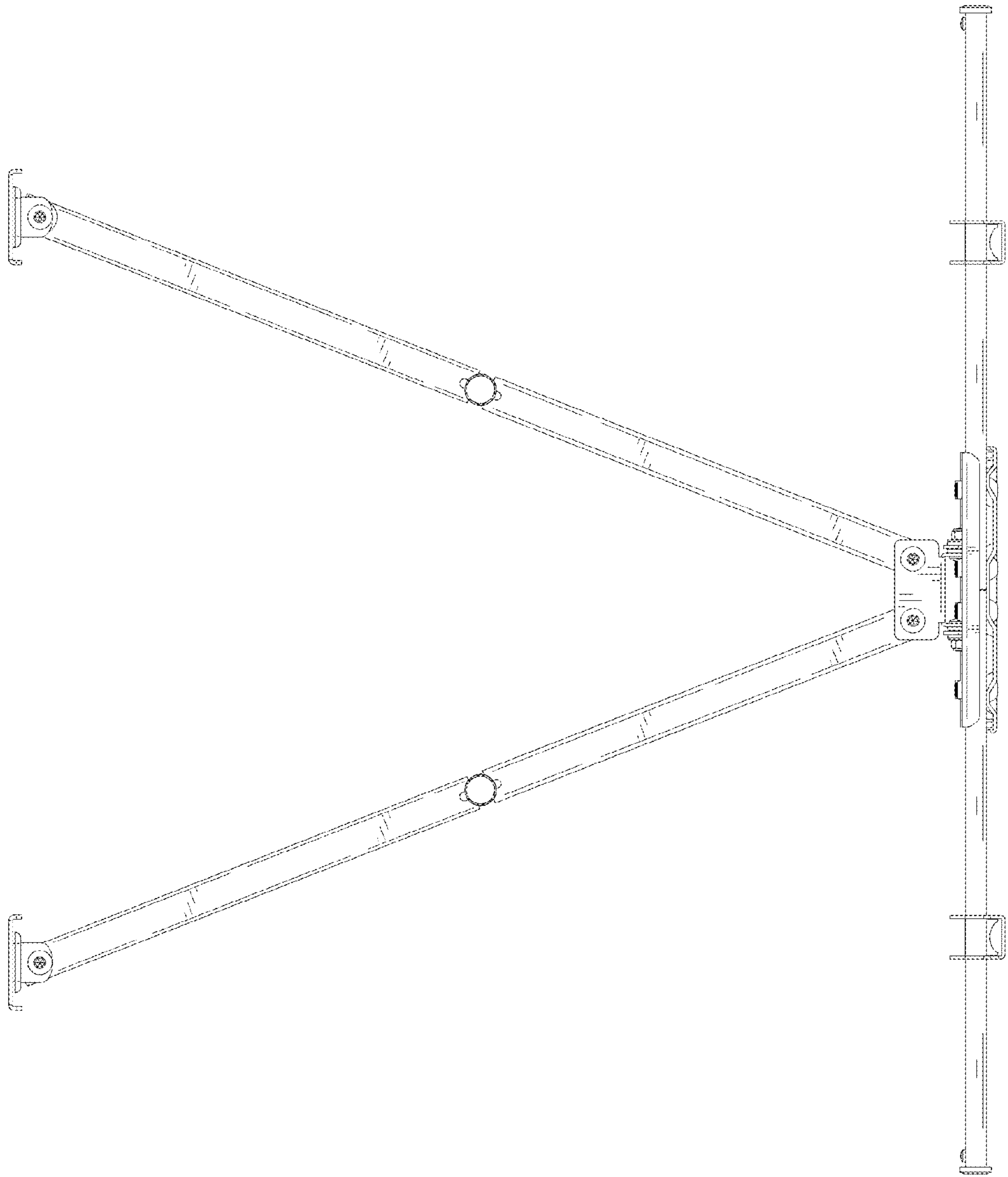


FIG. 7

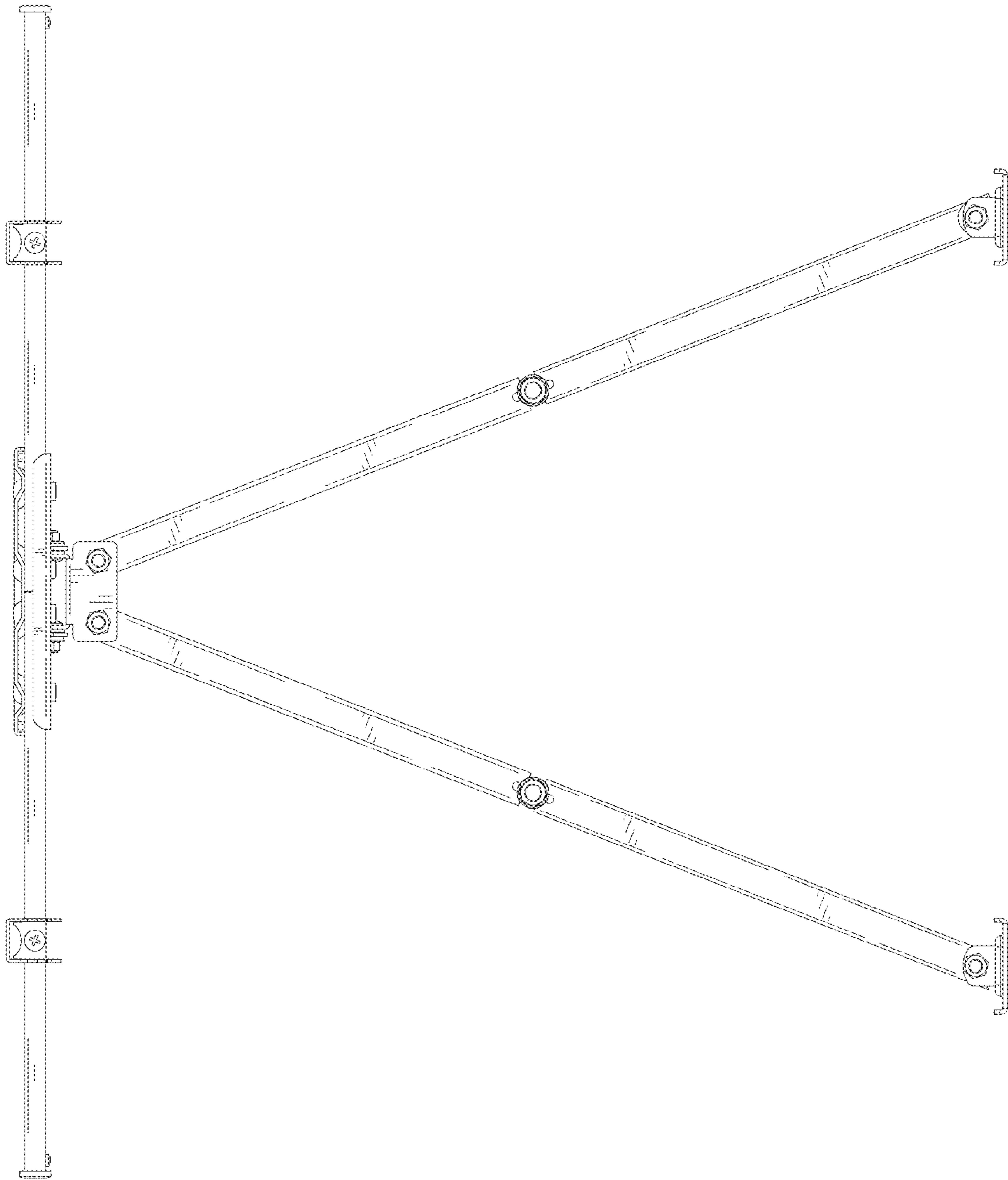


FIG. 8