



US00D957371S

(12) **United States Design Patent**  
**Choi et al.**

(10) **Patent No.:** **US D957,371 S**  
(45) **Date of Patent:** **\*\* Jul. 12, 2022**

(54) **TELEVISION RECEIVER**

(71) Applicant: **Samsung Electronics Co., Ltd.**,  
Suwon-si (KR)

(72) Inventors: **Suan Choi**, Suwon-si (KR); **Sangyoung Lee**, Suwon-si (KR); **Dongwook Kim**, Suwon-si (KR)

(73) Assignee: **Samsung Electronics Co., Ltd.**,  
Suwon-si (KR)

(\*\*) Term: **15 Years**

(21) Appl. No.: **29/736,309**

(22) Filed: **May 29, 2020**

(30) **Foreign Application Priority Data**

Dec. 16, 2019 (KR) ..... 30-2019-0061061

(51) **LOC (13) Cl.** ..... **14-03**

(52) **U.S. Cl.**  
USPC ..... **D14/239**; D14/126

(58) **Field of Classification Search**  
USPC ..... D14/126, 129, 130, 132, 133, 159, 239,  
D14/307, 336, 371, 372, 374, 375, 376,  
(Continued)

(56) **References Cited**

**U.S. PATENT DOCUMENTS**

D555,945 S \* 11/2007 Pearsons ..... D6/709  
D640,075 S \* 6/2011 Petrick ..... D6/709  
(Continued)

**FOREIGN PATENT DOCUMENTS**

CN 2017304473263 3/2018  
CN 2017304406907 5/2018  
(Continued)

**OTHER PUBLICATIONS**

Daewoo Comms. "T32G2C / 81cm Focus View HD TV [스탠드형 자가 설치]" [2019] www.e-himart.co.kr Feb. 2019 <http://www.e-himart.co.kr/app/goods/goodsDetail?goodsNo=0003225617>.

(Continued)

*Primary Examiner* — Marie D. Fast Horse  
(74) *Attorney, Agent, or Firm* — NSIP Law

(57) **CLAIM**

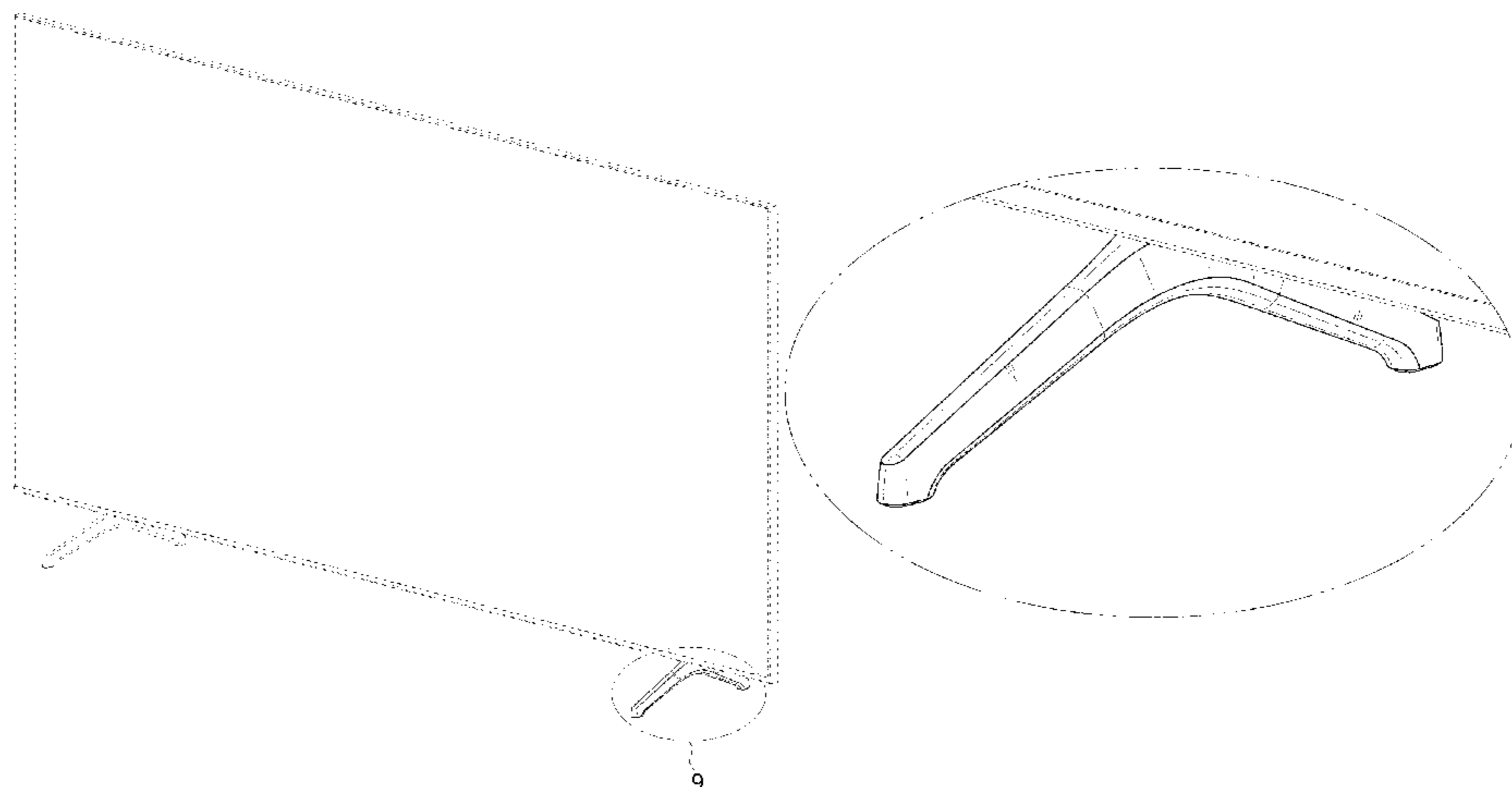
We claim the ornamental design for a television receiver, as shown and described.

**DESCRIPTION**

FIG. 1 is a front perspective view of a television receiver showing our new design;  
FIG. 2 is a front view thereof;  
FIG. 3 is a rear view thereof;  
FIG. 4 is a left-side view thereof;  
FIG. 5 is a right-side view thereof;  
FIG. 6 is a top view thereof;  
FIG. 7 is a bottom view thereof;  
FIG. 8 is a rear perspective view thereof;  
FIG. 9 is an enlarged view of the encircled portion in FIG. 1;  
FIG. 10 is an enlarged view of the encircled portion in FIG. 2;  
FIG. 11 is an enlarged view of the encircled portion in FIG. 3;  
FIG. 12 is an enlarged view of the encircled portion in FIG. 5;  
FIG. 13 is an enlarged view of the encircled portion in FIG. 6;  
FIG. 14 is an enlarged view of the encircled portion in FIG. 7; and,  
FIG. 15 is an enlarged view of the encircled portion in FIG. 8.

The broken lines in the figures depict portions of the television receiver which form no part of the claimed design. The dot-dot-dash broken lines encircling portions of the claimed design that are illustrated in enlargements form no part of the claimed design.

**1 Claim, 13 Drawing Sheets**



(58) **Field of Classification Search**

USPC ..... D14/383, 448, 451, 496; D10/46, 65,  
D10/104.1, 109.1, 75; D24/138, 107,  
D24/184, 186, 169, 216; D20/10, 18, 19,  
D20/21, 39; D6/709  
CPC .... G06F 1/1601; G06F 1/1605; G06F 1/1607;  
G06F 1/1637; G06F 1/1642; G06F 1/182;  
G06F 1/20; G06F 2200/1612; G06F  
3/0421; G06F 3/0428; G06F 3/0488  
See application file for complete search history.

(56) **References Cited**

U.S. PATENT DOCUMENTS

D644,459 S \* 9/2011 Babick ..... D6/709  
D653,479 S \* 2/2012 Babick ..... D6/709  
D700,170 S \* 2/2014 Choi ..... D14/239  
D700,187 S \* 2/2014 Lee ..... D14/451  
D705,200 S \* 5/2014 Choi ..... D14/239  
D708,157 S \* 7/2014 Park ..... D14/126  
D716,244 S \* 10/2014 Kim ..... D14/126  
D719,119 S \* 12/2014 Park ..... D14/126  
D729,755 S \* 5/2015 McManigal ..... D14/126  
D742,345 S \* 11/2015 Wang ..... D14/126  
D748,596 S \* 2/2016 McManigal ..... D14/126  
D749,532 S \* 2/2016 McManigal ..... D14/126  
D750,582 S \* 3/2016 Kim ..... D14/126  
D751,048 S \* 3/2016 Yoon ..... D14/126  
D751,519 S \* 3/2016 Ma ..... D14/126  
D753,617 S \* 4/2016 Zhang ..... D14/126  
D759,412 S \* 6/2016 Koning ..... D6/709  
D763,609 S \* 8/2016 Copier ..... D6/709  
D765,049 S \* 8/2016 Tanimura ..... D14/126  
D765,615 S \* 9/2016 Kim ..... D14/126  
D777,128 S \* 1/2017 Kim ..... D14/126  
D782,433 S \* 3/2017 Lee ..... D14/126  
D782,991 S \* 4/2017 Kim ..... D14/126  
D783,555 S \* 4/2017 Cho ..... D14/126  
D784,305 S \* 4/2017 Lee ..... D14/239  
D786,813 S \* 5/2017 McManigal ..... D14/126  
D787,462 S \* 5/2017 Shiono ..... D14/126  
D788,749 S \* 6/2017 Lee ..... D14/239  
D788,750 S \* 6/2017 Choi ..... D14/239  
D793,402 S \* 8/2017 Kwon ..... D14/451  
D794,620 S \* 8/2017 Lee ..... D14/239  
D796,464 S \* 9/2017 Kim ..... D14/126  
D797,084 S \* 9/2017 Lee ..... D14/126  
D805,490 S \* 12/2017 Lim ..... D14/126  
D806,661 S \* 1/2018 Lee ..... D14/126  
D806,666 S \* 1/2018 Kim ..... D14/126  
D807,672 S \* 1/2018 Babick ..... D6/709  
D818,979 S \* 5/2018 Won ..... D14/126  
D819,584 S \* 6/2018 Won ..... D14/126  
D821,370 S \* 6/2018 Kim ..... D14/126  
D823,271 S \* 7/2018 Shen ..... D14/126  
D826,791 S \* 8/2018 Kim ..... D12/126  
D826,885 S \* 8/2018 Kim ..... D14/126  
D835,058 S \* 12/2018 Kim ..... D14/126  
D836,496 S \* 12/2018 Kim ..... D12/126

D837,756 S \* 1/2019 Cheng ..... D14/126  
D841,609 S \* 2/2019 Kim ..... D14/126  
D846,516 S \* 4/2019 McManigal ..... D14/126  
D846,517 S \* 4/2019 McManigal ..... D14/126  
D846,519 S \* 4/2019 McManigal ..... D14/126  
D846,520 S \* 4/2019 McManigal ..... D14/126  
D848,967 S \* 5/2019 Kim ..... D14/126  
D848,970 S \* 5/2019 Lim ..... D14/126  
D850,397 S \* 6/2019 Choi ..... D14/126  
D850,400 S \* 6/2019 Kim ..... D14/126  
D853,365 S \* 7/2019 Seong ..... D14/239  
D858,470 S \* 9/2019 Lee ..... D14/126  
D858,471 S \* 9/2019 Lee ..... D14/126  
D859,338 S \* 9/2019 Lim ..... D14/126  
D865,730 S \* 11/2019 Seong ..... D14/126  
D868,713 S \* 12/2019 Lee ..... D14/126  
D875,697 S \* 2/2020 Diao ..... D14/126  
D878,314 S \* 3/2020 Seong ..... D14/126  
D884,663 S \* 5/2020 Jang ..... D14/126  
D894,140 S \* 8/2020 Kim ..... D14/125  
D894,141 S \* 8/2020 Kim ..... D14/125  
D897,324 S \* 9/2020 Lee ..... D14/239  
D897,325 S \* 9/2020 Lee ..... D14/239  
D901,470 S \* 11/2020 Kim ..... D14/239  
D923,596 S \* 6/2021 Kim ..... D14/126  
D924,858 S \* 7/2021 Choi ..... D14/239  
D929,408 S \* 8/2021 Seo ..... D14/451  
D929,409 S \* 8/2021 Seo ..... D14/451  
D929,953 S \* 9/2021 Ma ..... D14/126

FOREIGN PATENT DOCUMENTS

CN 2018300874669 11/2018  
CN 2018304611291 7/2019  
CN 2018307540654 10/2019  
JP D1504384 \* 8/2014

OTHER PUBLICATIONS

Hisense. "Hisense H32B5600UK 32-Inch HD Ready Smart TV with Freeview Play (2019) [Energy Class A]" [2019] www.amazon.co.uk Apr. 22, 2019 <[https://www.amazon.co.uk/Hisense-H32B5600UK-32-Inch-Ready-Freeview/dp/B07QT552M8/ref=sr\\_1\\_1070?keywords=TV&qid=1572829369&s=electronics&sr=1-1070](https://www.amazon.co.uk/Hisense-H32B5600UK-32-Inch-Ready-Freeview/dp/B07QT552M8/ref=sr_1_1070?keywords=TV&qid=1572829369&s=electronics&sr=1-1070)>.  
TCL. "TCL 32S327 32-Inch 1080p Roku Smart LED TV (2018 Model)" [2018] www.amazon.com Jul. 26, 2018 <[https://www.amazon.com/TCL-32S327-32-Inch-1080p-Smart/dp/B07F981R8M/ref=sr\\_1\\_651?keywords=Stand+Legs&qid=1572831271&s=electronics&smid=ATVPDKIKX0DER&sr=1-651](https://www.amazon.com/TCL-32S327-32-Inch-1080p-Smart/dp/B07F981R8M/ref=sr_1_651?keywords=Stand+Legs&qid=1572831271&s=electronics&smid=ATVPDKIKX0DER&sr=1-651)>.  
Ratel. "Ratel Universal TV Stand Base, TV Replacement Table top Pedestal Mount for samsung Song TCL LCD LED Plasma TVs with Mounting Hole Distance from 0.8-2.2 inch /2cm-5cm" [2019] www.amazon.com Nov. 29, 2019 <[https://www.amazon.com/Ratel-Universal-Replacement-Pedestal-Mounting/dp/B07V2NC66Z/ref=sr\\_1\\_268?keywords=Stand+Legs&qid=1572830898&s=electronics&sr=1-268](https://www.amazon.com/Ratel-Universal-Replacement-Pedestal-Mounting/dp/B07V2NC66Z/ref=sr_1_268?keywords=Stand+Legs&qid=1572830898&s=electronics&sr=1-268)>.

\* cited by examiner

FIG. 1

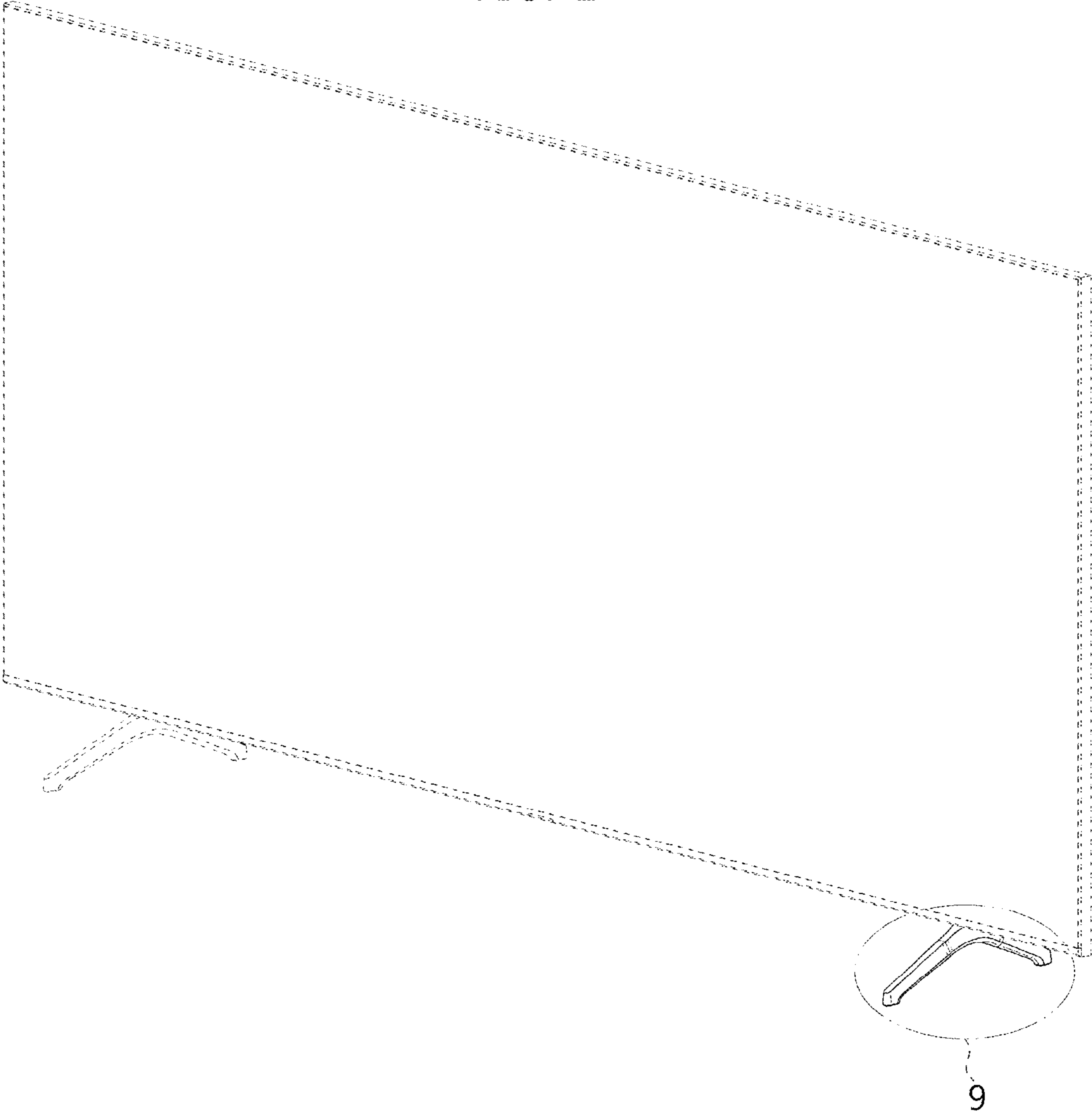


FIG. 2

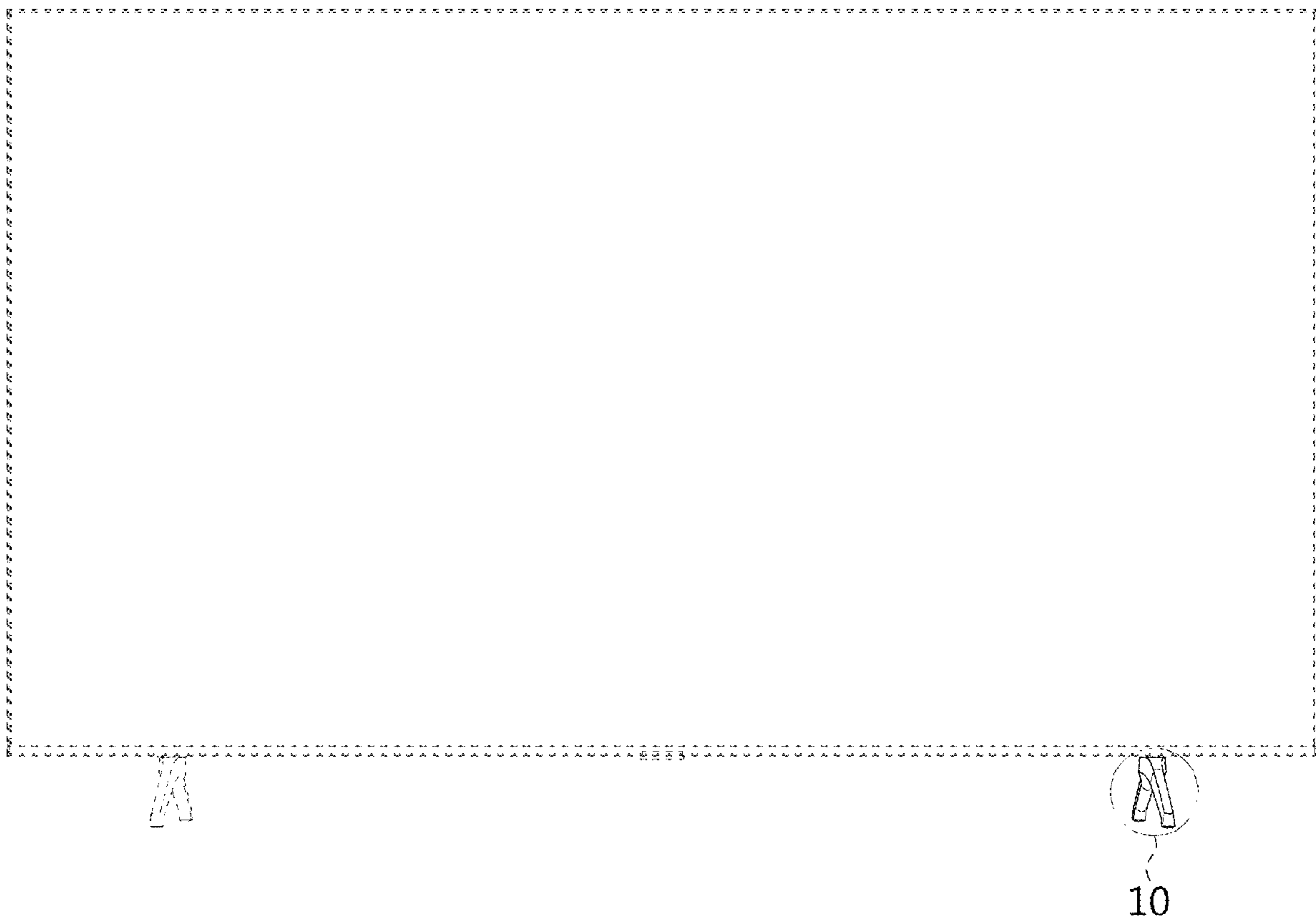


FIG. 3

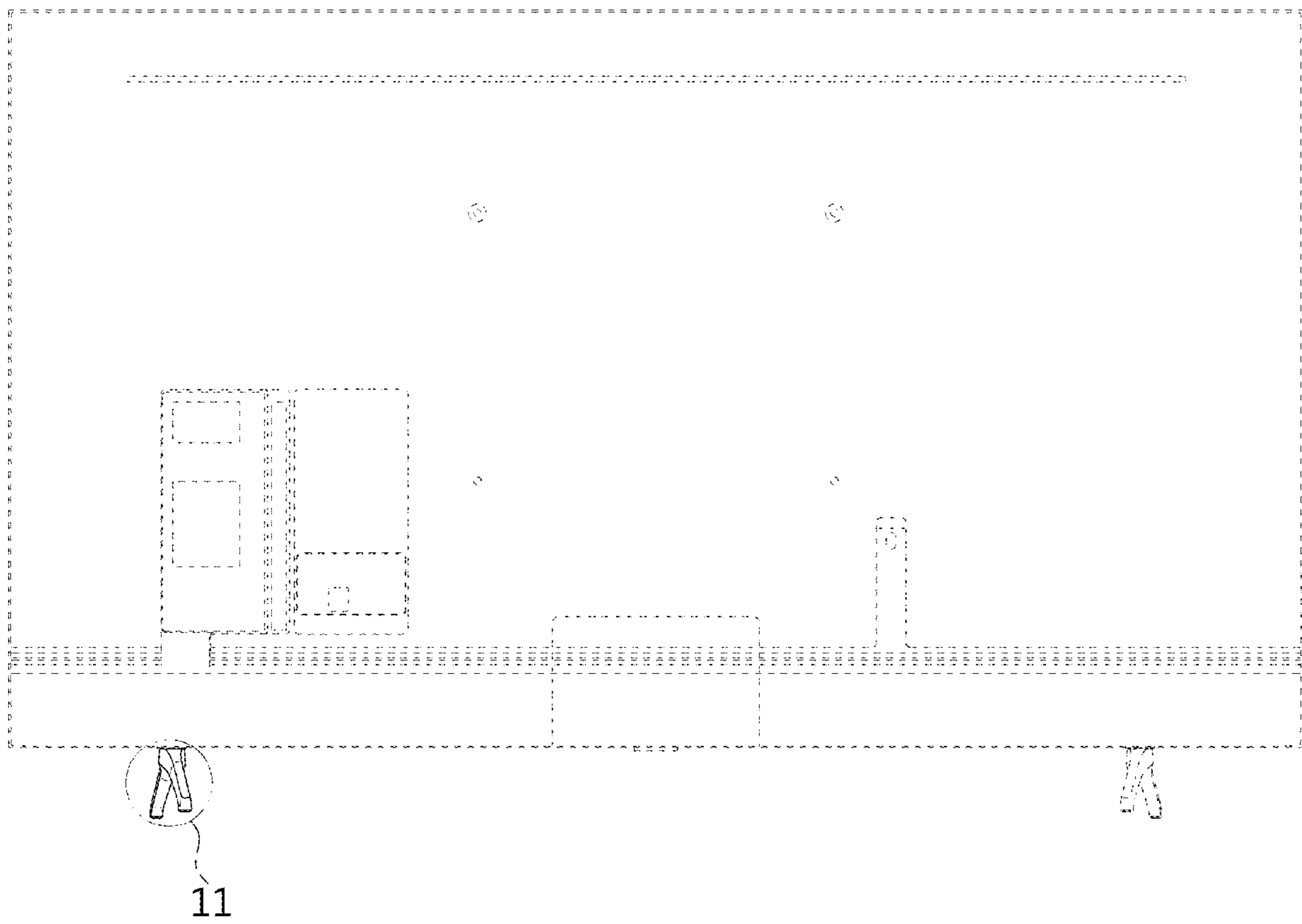


FIG. 4

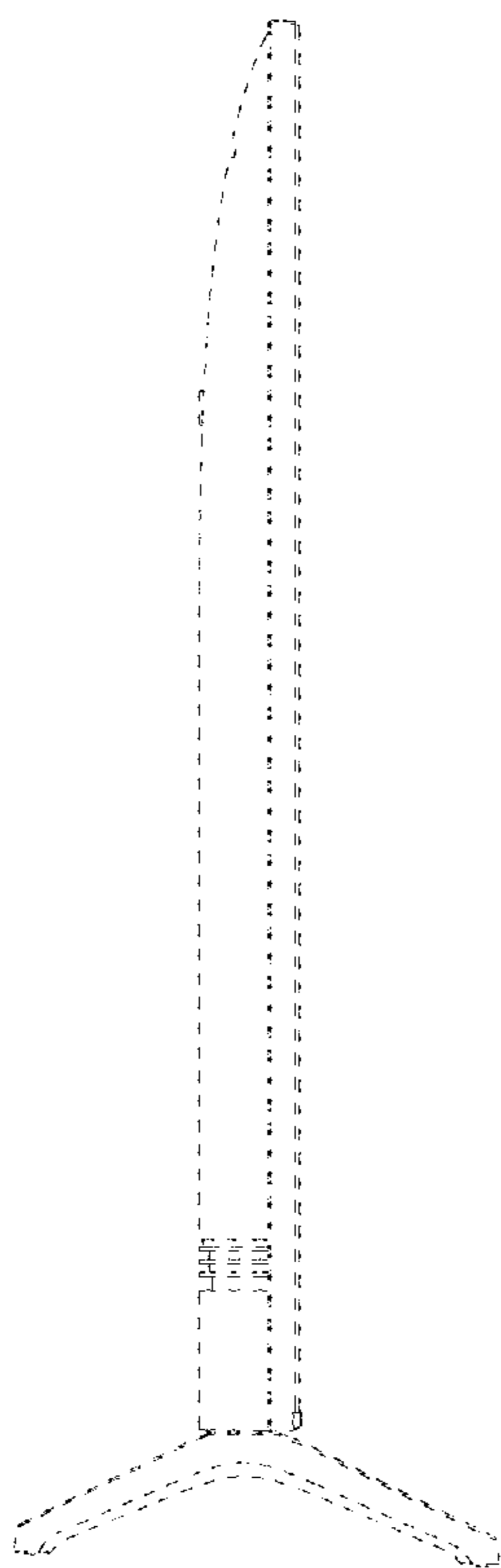


FIG. 5

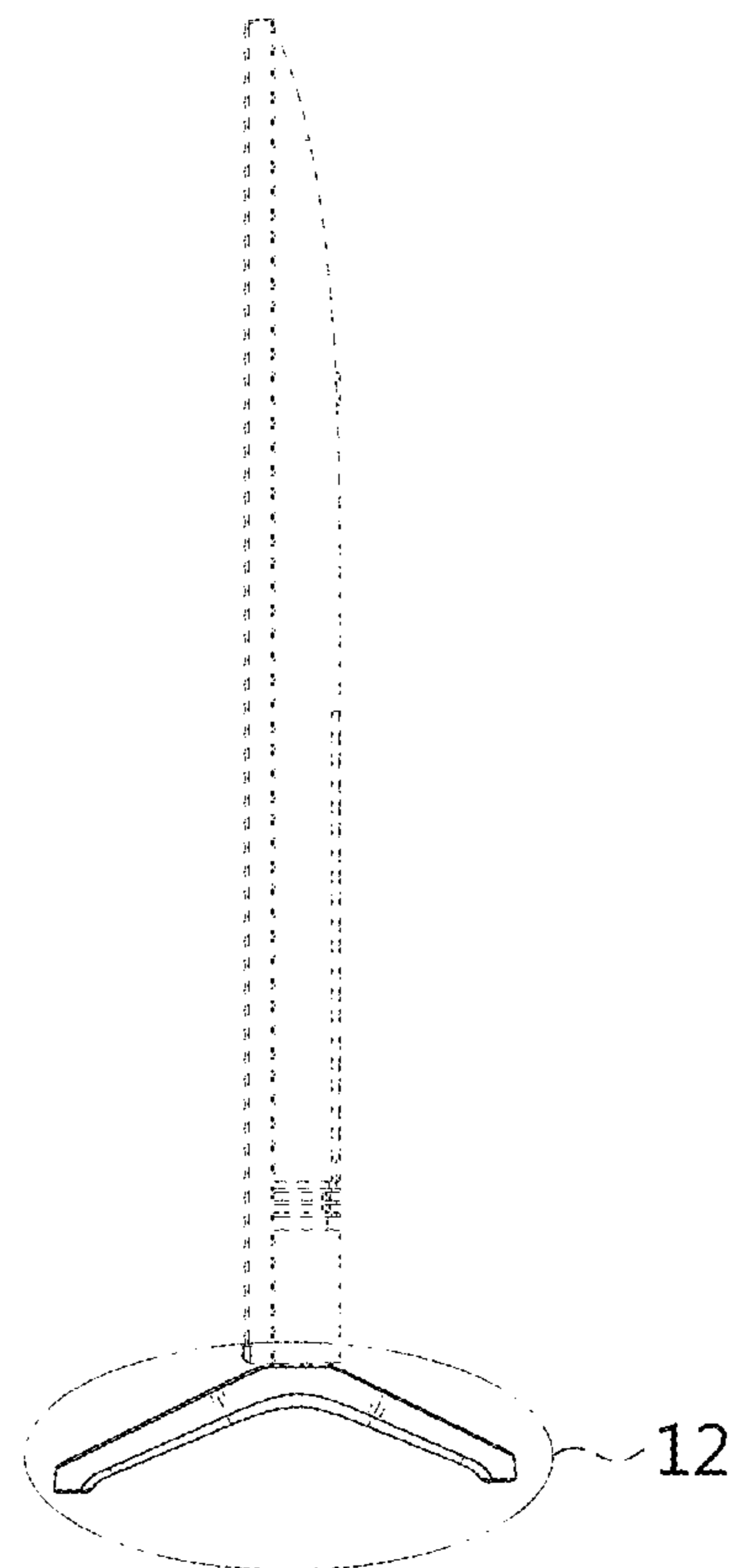


FIG. 6



FIG. 7

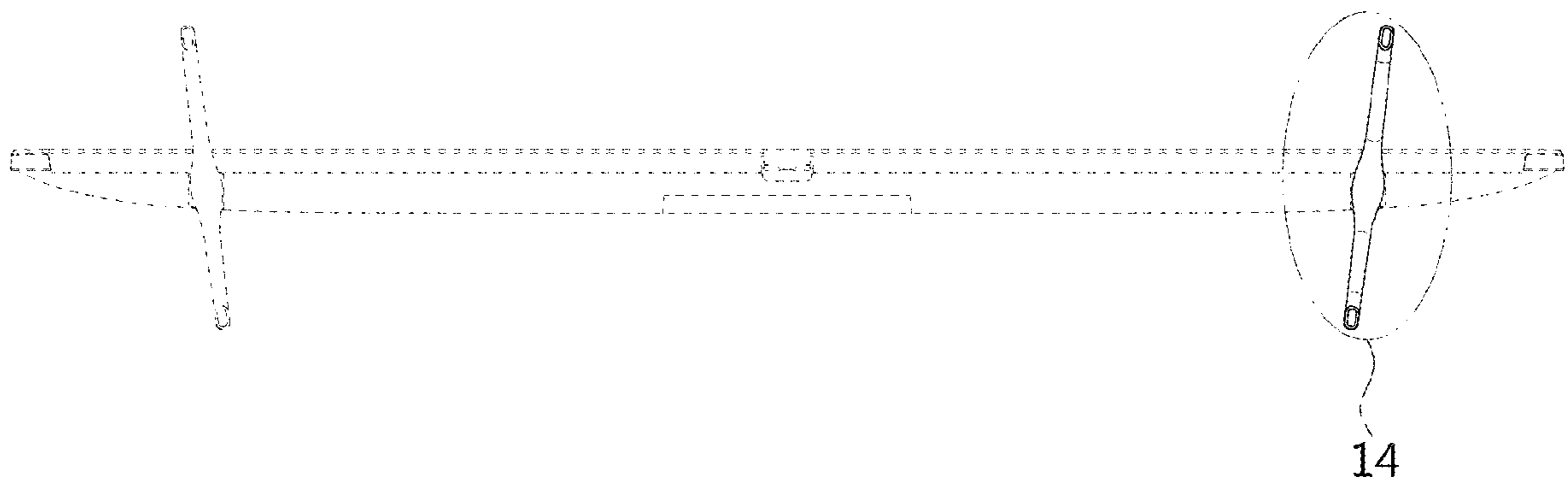


FIG. 8

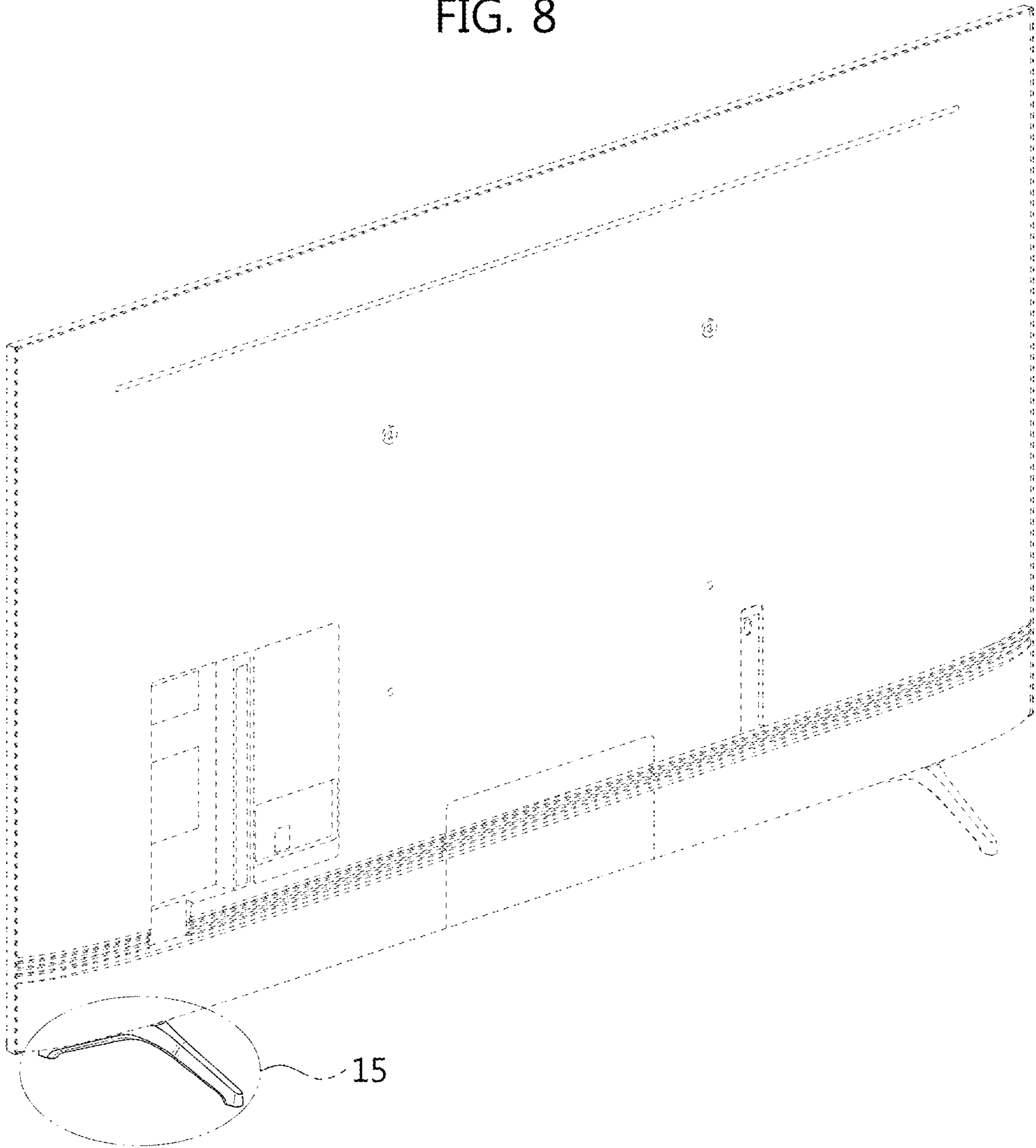




FIG. 9

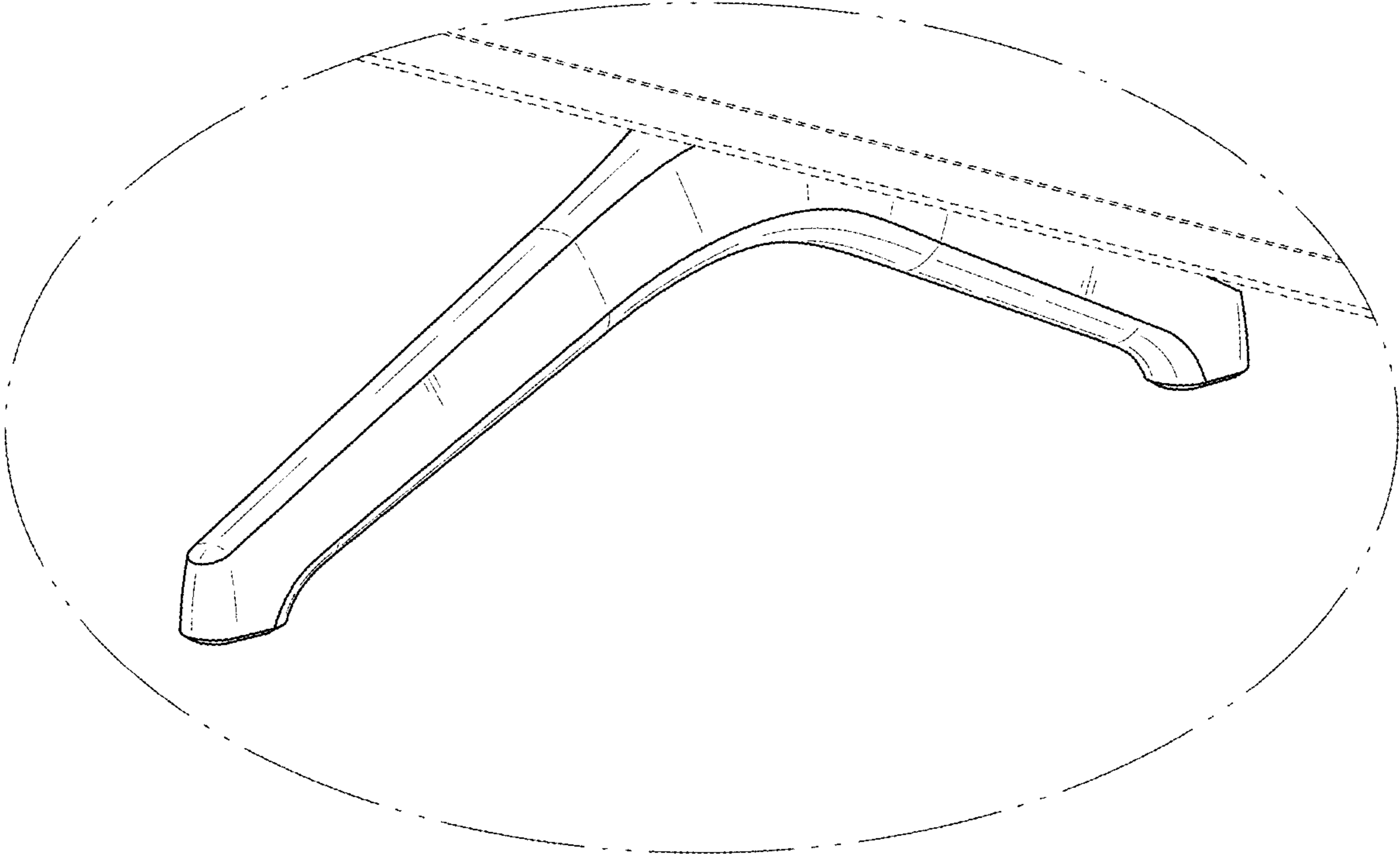


FIG. 10

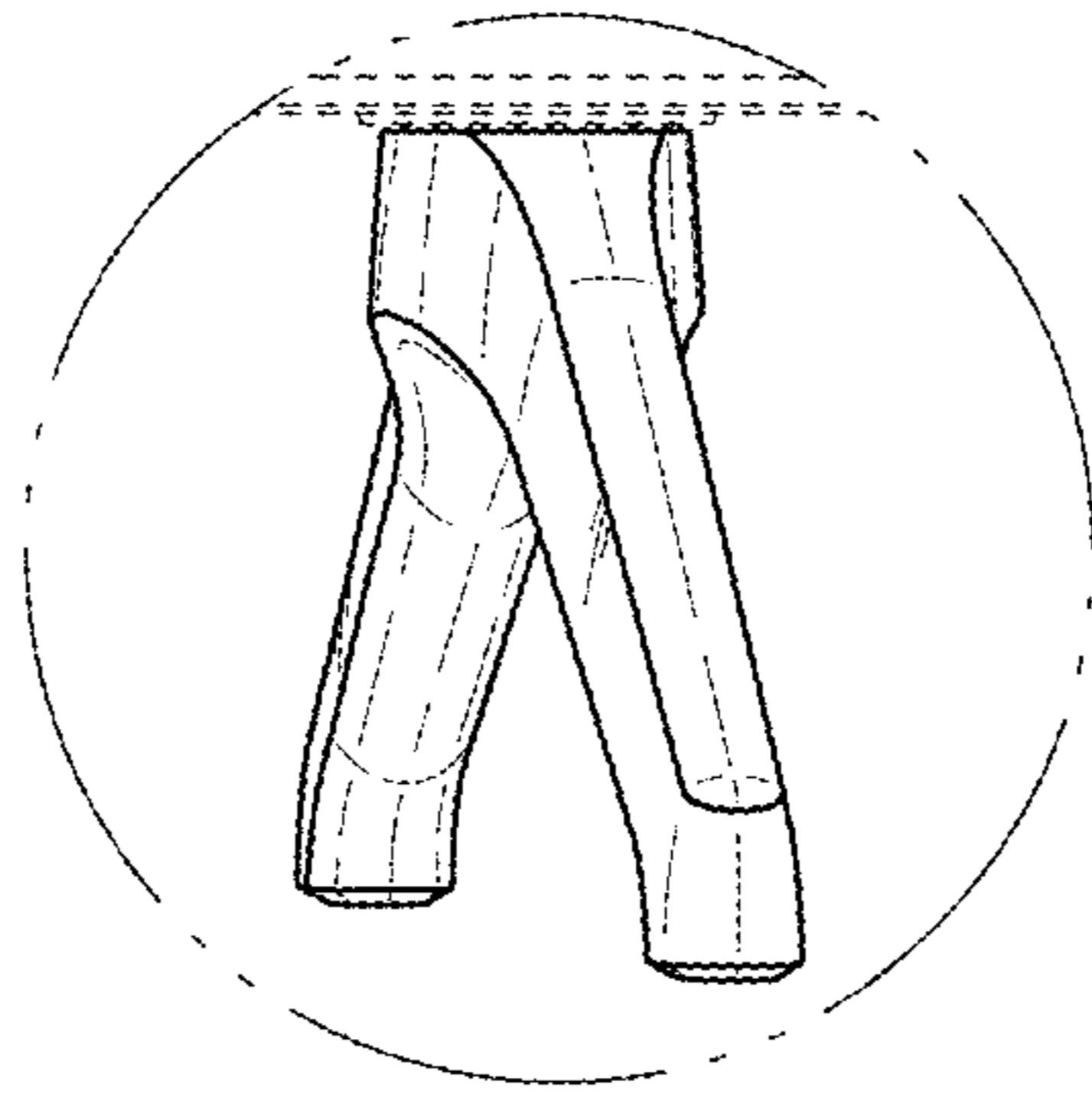


FIG. 11

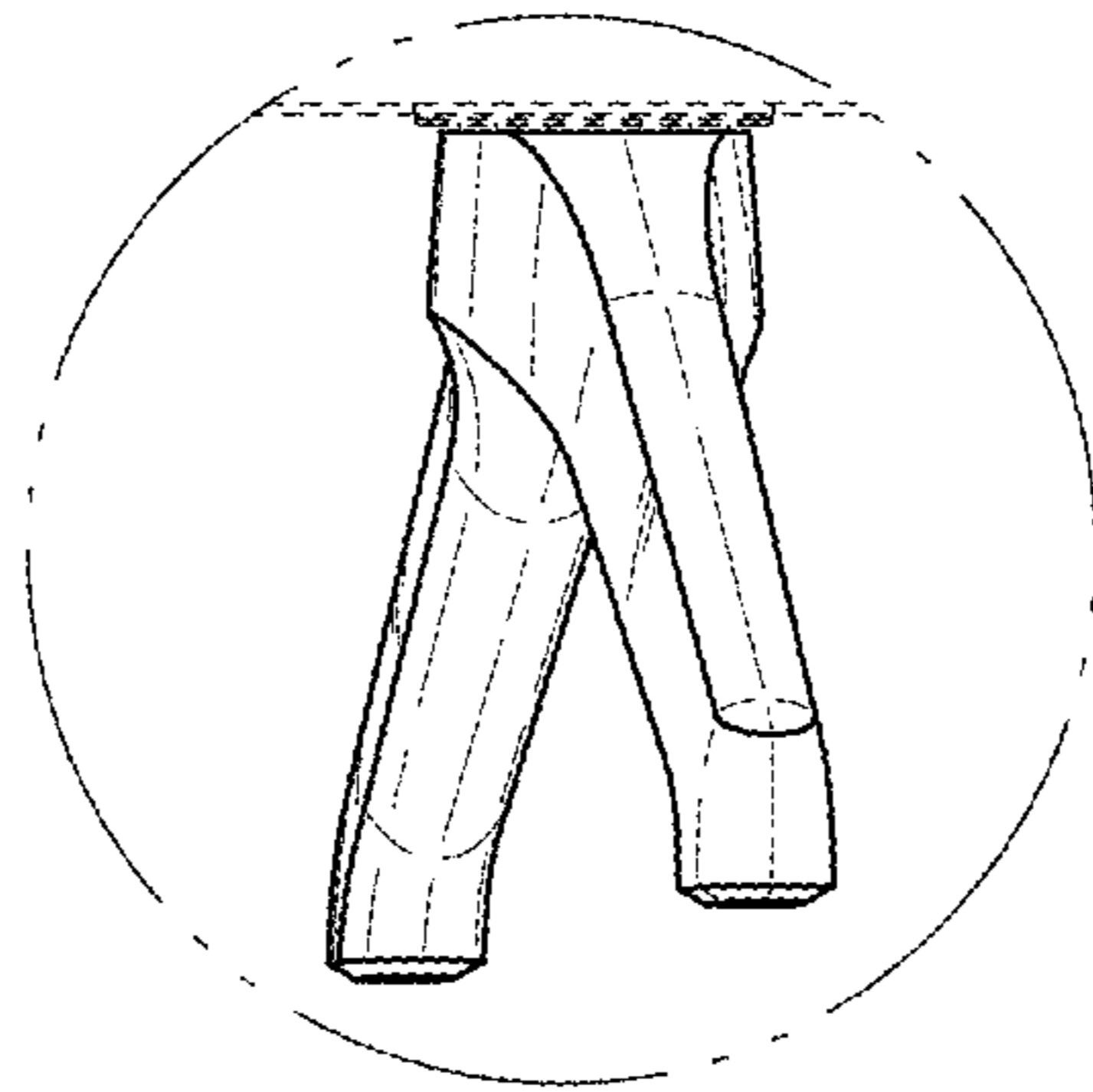


FIG. 12

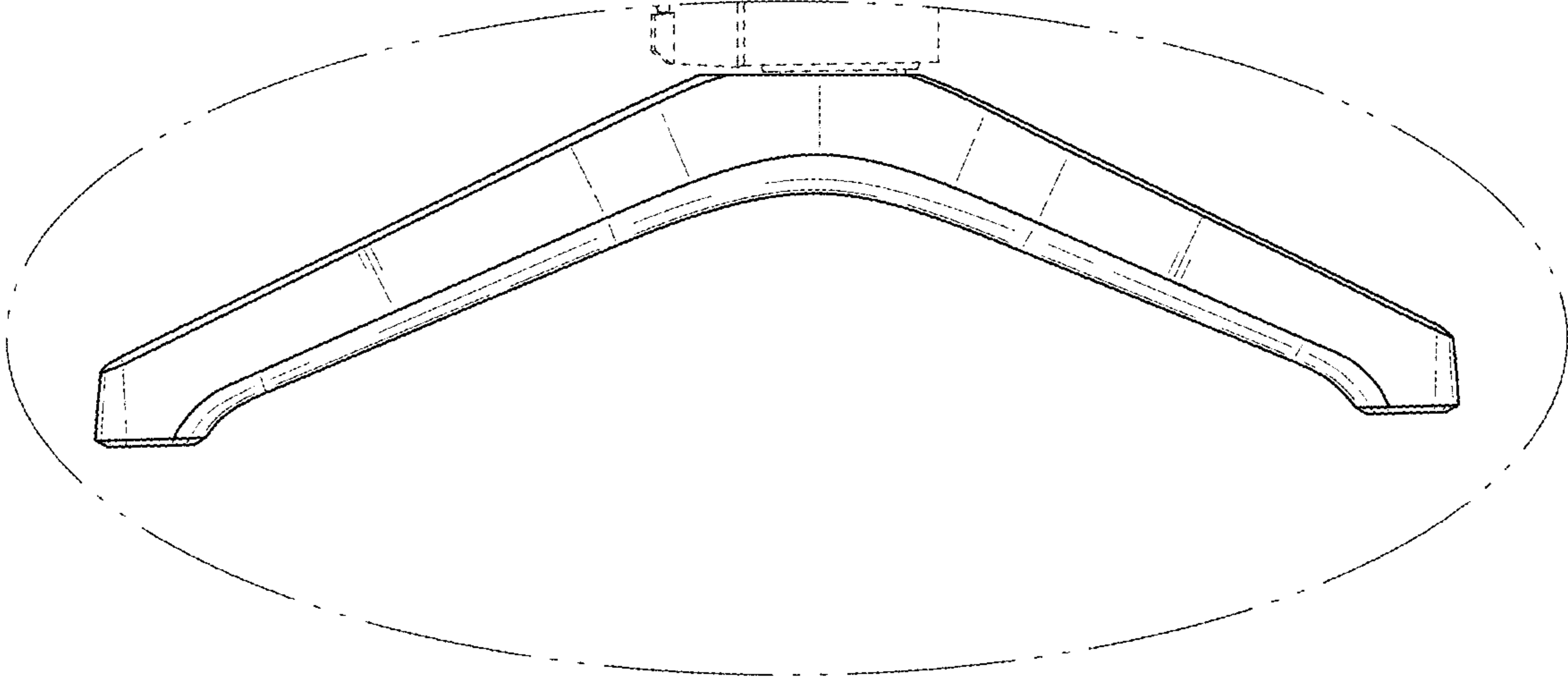


FIG. 13

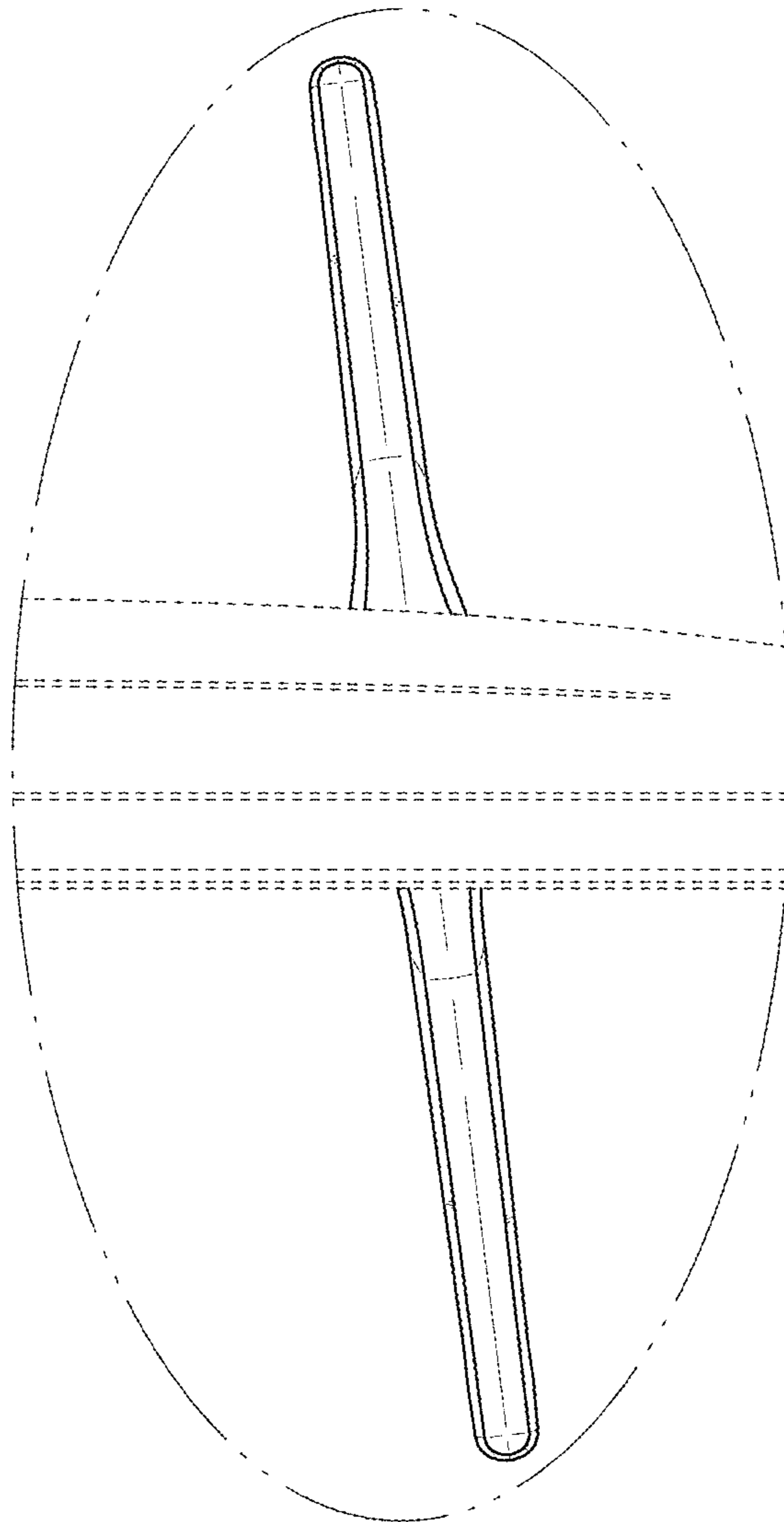


FIG. 14

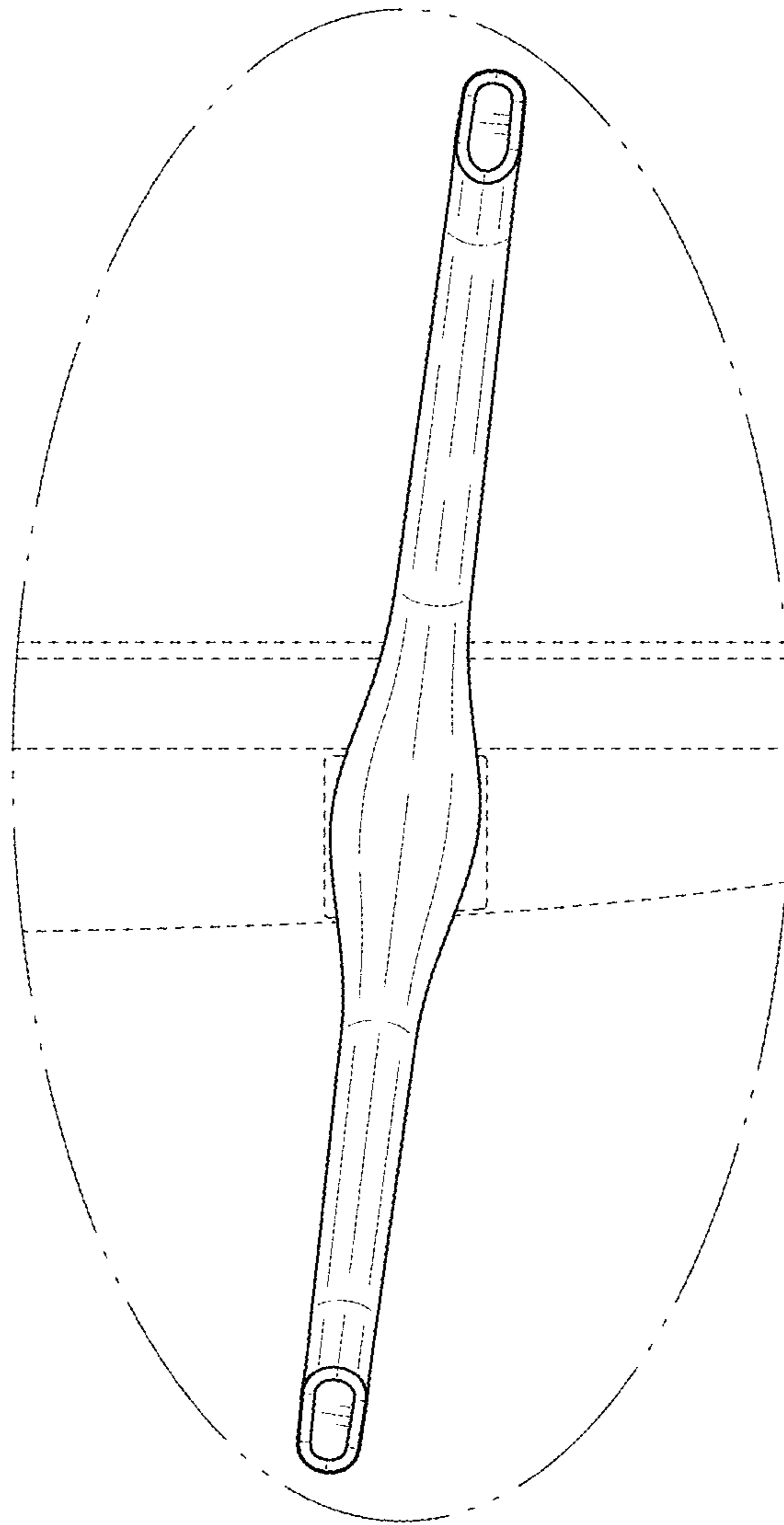


FIG. 15

