



US00D957370S

(12) **United States Design Patent**  
**Lyu**

(10) **Patent No.:** **US D957,370 S**  
(45) **Date of Patent:** **\*\* \*Jul. 12, 2022**

(54) **ROLLING MONITOR STAND**

(71) Applicant: **Yaqi Lyu**, Shenzhen (CN)

(72) Inventor: **Yaqi Lyu**, Shenzhen (CN)

(\* ) Notice: This patent is subject to a terminal disclaimer.

(\*\*) Term: **15 Years**

(21) Appl. No.: **29/727,978**

(22) Filed: **Mar. 15, 2020**

(51) **LOC (13) Cl.** ..... **14-03**

(52) **U.S. Cl.**

USPC ..... **D14/239**

(58) **Field of Classification Search**

USPC ..... D14/239, 371, 372, 447-452, 373, 374, D14/375, 376, 377, 125, 127, 128, 129, D14/335-337, 341, 126; D8/355, 363, D8/373; D6/672, 682

CPC ..... F16M 11/2085; F16M 11/2092; F16M 11/2007; F16M 11/2014; F16M 11/2021; F16M 11/105; F16M 11/048; F16M 11/12; F16M 13/022; F16M 11/10  
See application file for complete search history.

(56) **References Cited**

**U.S. PATENT DOCUMENTS**

D474,047 S *	5/2003	Lara	.....	D6/675.1
D539,566 S *	4/2007	Anderson	.....	D6/676.1
D618,015 S *	6/2010	Sexton	.....	D6/678.2
D784,998 S *	4/2017	Cutler	.....	D14/447
D807,880 S *	1/2018	Varghese	.....	D14/371
D852,174 S *	6/2019	Pei	.....	D14/239
D852,789 S *	7/2019	Pei	.....	D14/239
D853,403 S *	7/2019	Lyu	.....	D14/451
D866,537 S *	11/2019	Knapp	.....	D14/239

D877,743 S *	3/2020	Pei	.....	D14/451
2019/0203873 A1 *	7/2019	Pei	.....	F16M 11/126
2019/0203875 A1 *	7/2019	Yu	.....	F16M 11/04
2020/0240575 A1 *	7/2020	Lee	.....	G06F 1/1607

**FOREIGN PATENT DOCUMENTS**

EP	3643957 A1 *	4/2020	.....	F16M 11/18
GB	6035312	* 5/2018		
JP	D1659259	* 5/2020		
WO	WO-2015106207 A1 *	7/2015	.....	F16M 11/28

**OTHER PUBLICATIONS**

Amazon. Link: [https://www.amazon.com/dp/B07QYLSWCK/ref=cm\\_sw\\_em\\_r\\_mt\\_dp\\_TR3QSKVCFVEYZW75D7W8?\\_encoding=UTF8&psc=1](https://www.amazon.com/dp/B07QYLSWCK/ref=cm_sw_em_r_mt_dp_TR3QSKVCFVEYZW75D7W8?_encoding=UTF8&psc=1). Jun. 29, 2018. Mobile TV Cart with Wheels by PERLESMITH. (Year: 2018).\*

(Continued)

*Primary Examiner* — Lauren D McVey

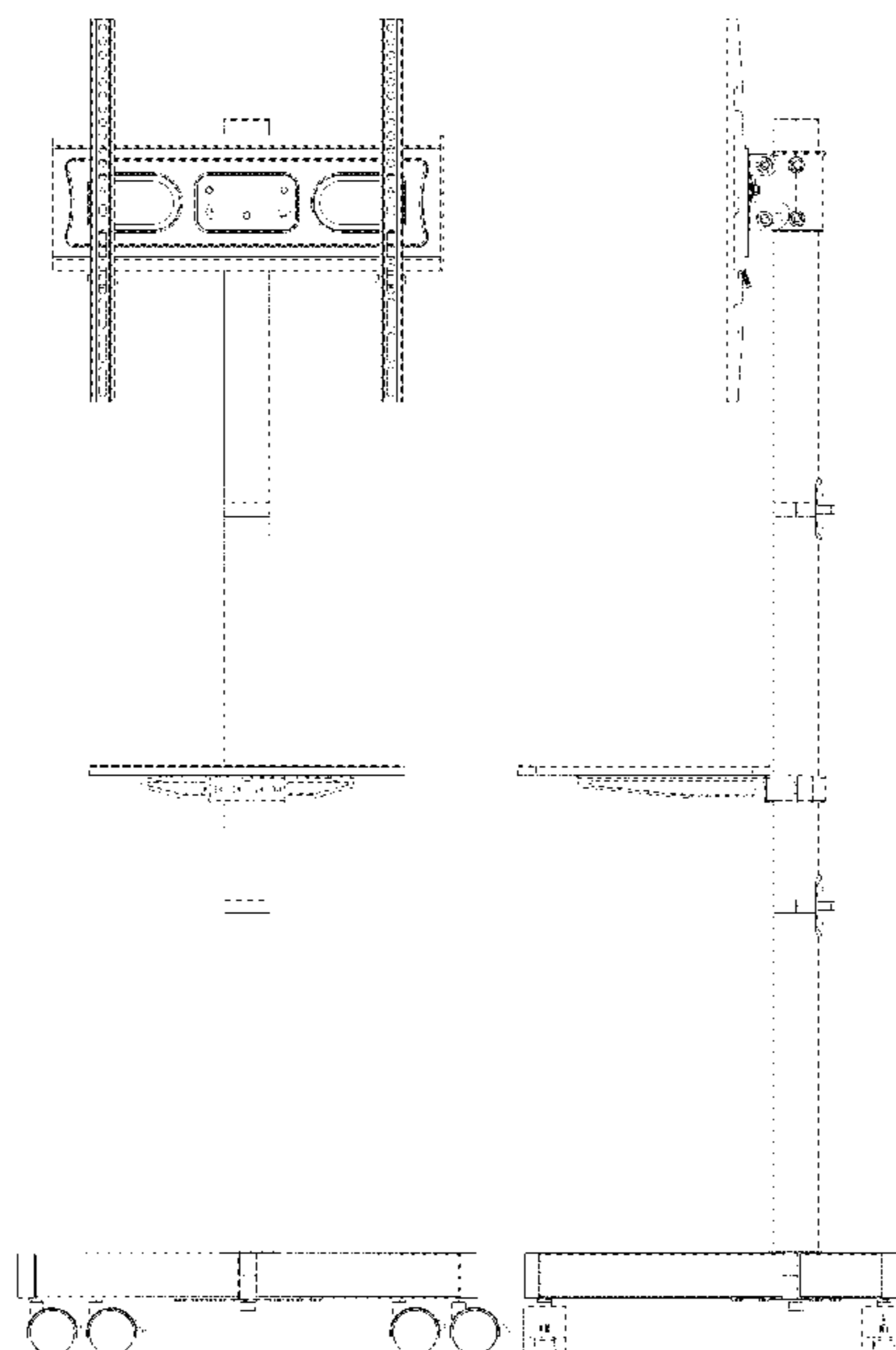
(57) **CLAIM**

The ornamental design for a rollable monitor stand, as shown and described.

**DESCRIPTION**

FIG. 1 is a front perspective view of a rollable monitor stand showing my new design;  
FIG. 2 is a front elevational view thereof;  
FIG. 3 is a rear elevational view thereof;  
FIG. 4 is a left side elevational view thereof;  
FIG. 5 is a right side elevational view thereof;  
FIG. 6 is a top plan view thereof; and,  
FIG. 7 is a bottom plan view thereof.  
The broken lines immediately adjacent to the claim depict the bounds of the claimed design, while all other broken lines are directed to environment. The broken lines form no part of the claimed design.

**1 Claim, 7 Drawing Sheets**



(56)

**References Cited**

OTHER PUBLICATIONS

Amazon. Link: [https://www.amazon.com/dp/B0824QXZZL/ref=cm\\_sw\\_em\\_r\\_mt\\_dp\\_0JER5KWQCAR8E830M9GN?\\_encoding=UTF8&psc=1](https://www.amazon.com/dp/B0824QXZZL/ref=cm_sw_em_r_mt_dp_0JER5KWQCAR8E830M9GN?_encoding=UTF8&psc=1). Nov. 28, 2019. FITUEYES Mobile TV Stand with Wheels. (Year: 2019).\*

Amazon. Link: [https://www.amazon.com/Rolling-Lockable-Adjustable-Trolley-Display/dp/B08G16L91X/ref=sr\\_1\\_1?dchild=1&keywords=B08G16L91X&qid=1619018804&s=electronics&sr=1-1](https://www.amazon.com/Rolling-Lockable-Adjustable-Trolley-Display/dp/B08G16L91X/ref=sr_1_1?dchild=1&keywords=B08G16L91X&qid=1619018804&s=electronics&sr=1-1). Aug. 17, 2020. YOMT Mobile TV Cart Rolling Floor Stand with Mount on Lockable Wheels. (Year: 2020).\*

Amazon. Link: [https://www.amazon.com/dp/B07581Z9SM/ref=cm\\_sw\\_em\\_r\\_mt\\_dp\\_6NR5AQ3V5CY56QEQBFNQ?\\_encoding=UTF8&psc=1](https://www.amazon.com/dp/B07581Z9SM/ref=cm_sw_em_r_mt_dp_6NR5AQ3V5CY56QEQBFNQ?_encoding=UTF8&psc=1). Aug. 30, 2017. VIVO Universal Mobile TV Cart. (Year: 2017).\*

\* cited by examiner

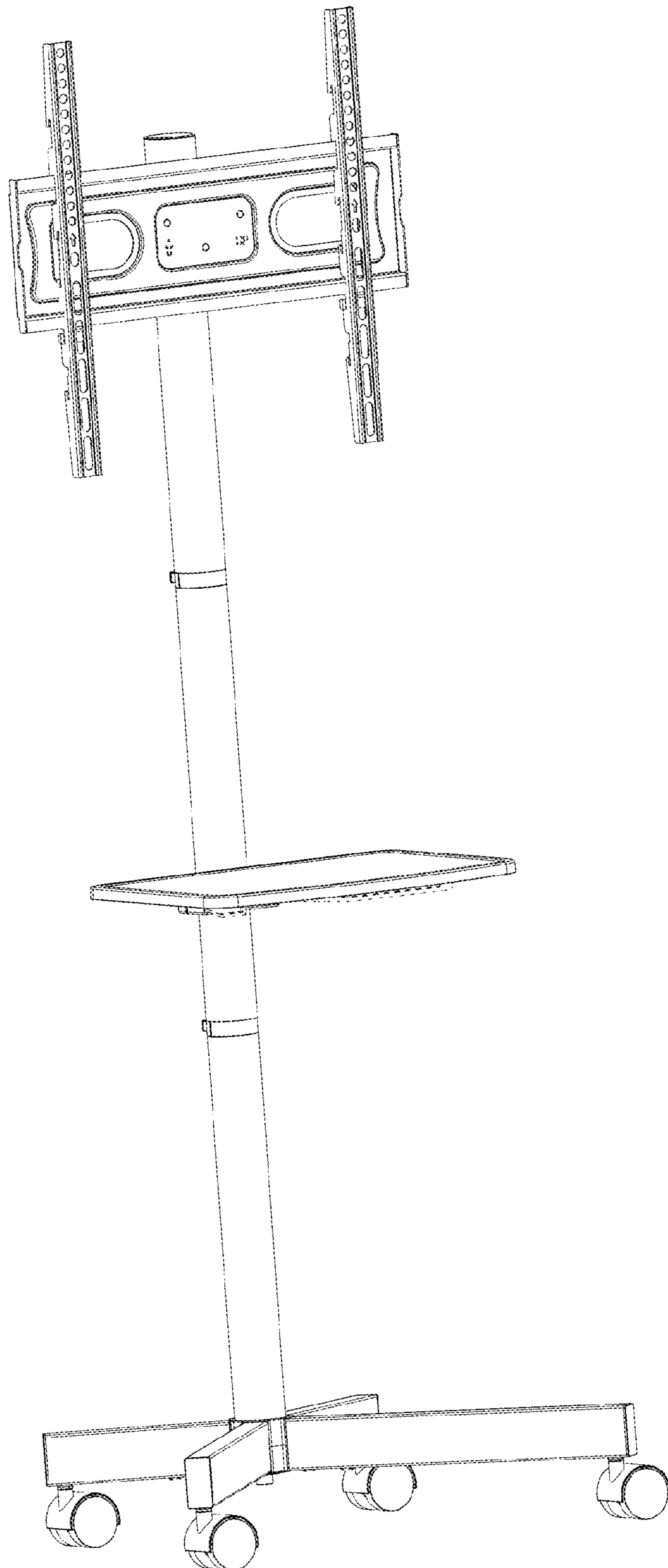


FIG. 1

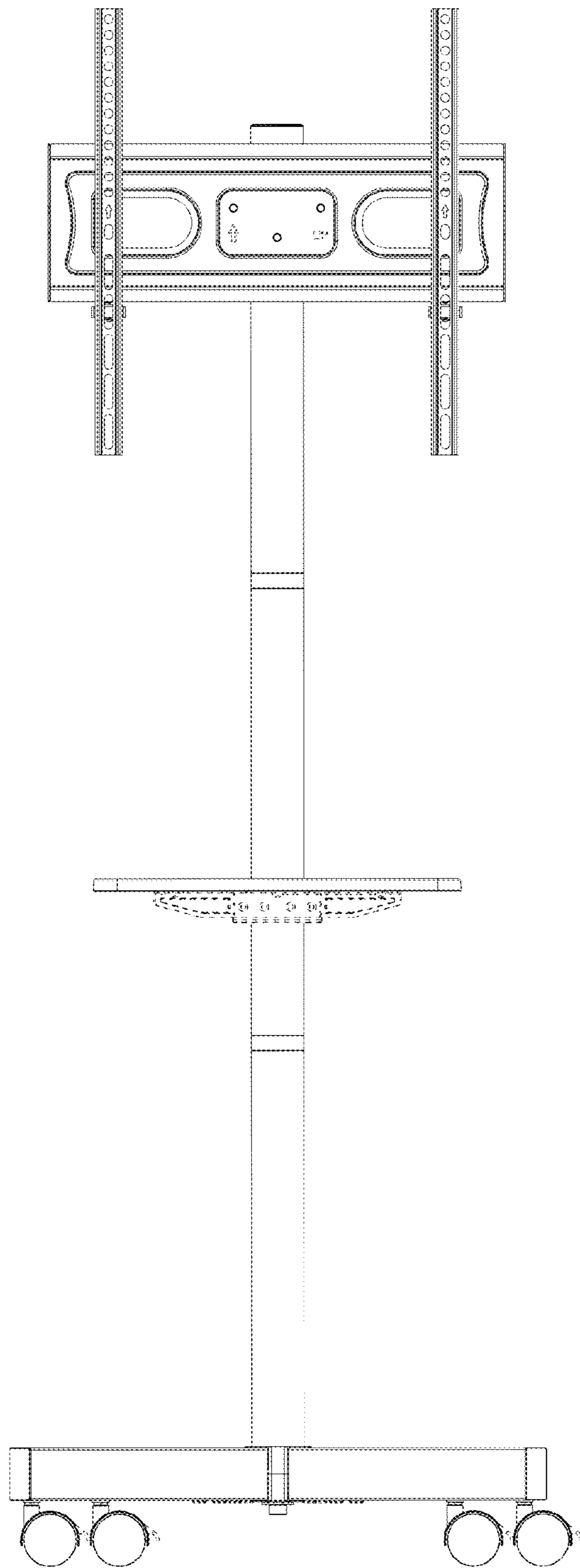


FIG. 2

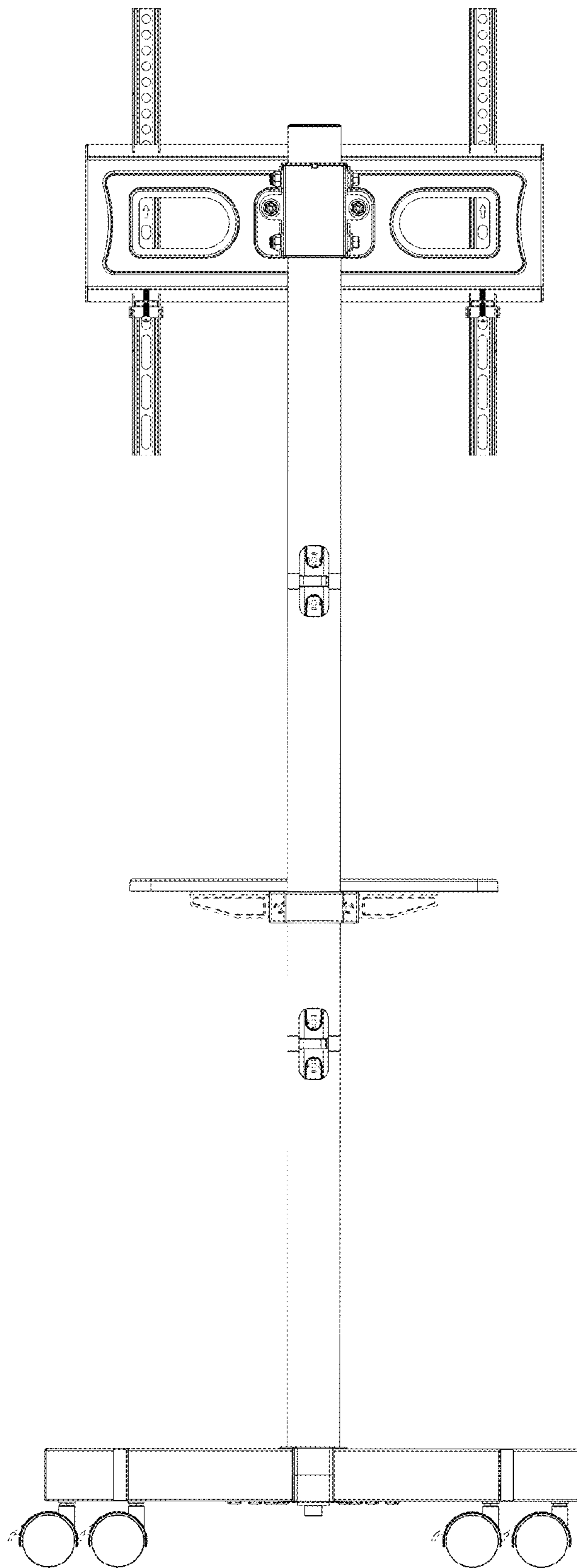


FIG. 3

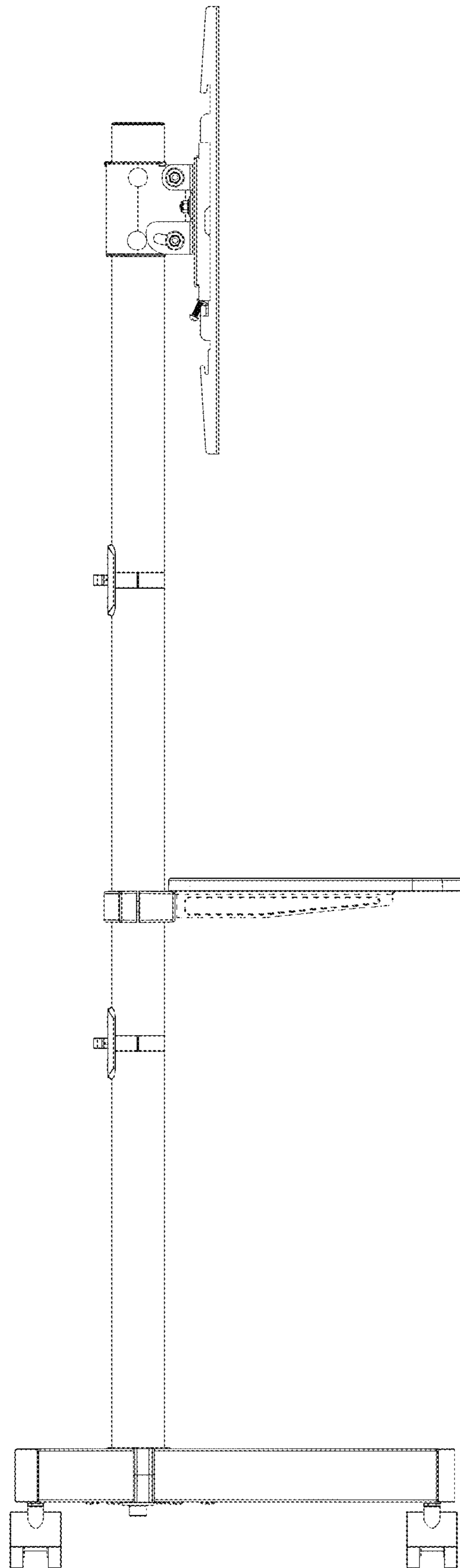


FIG. 4

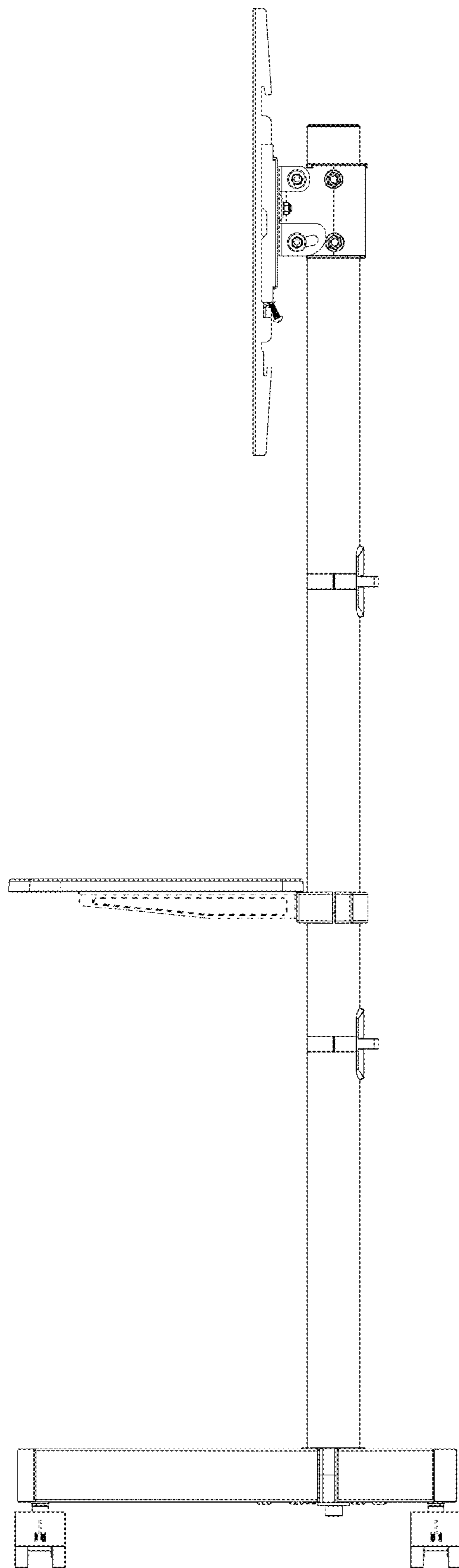


FIG. 5

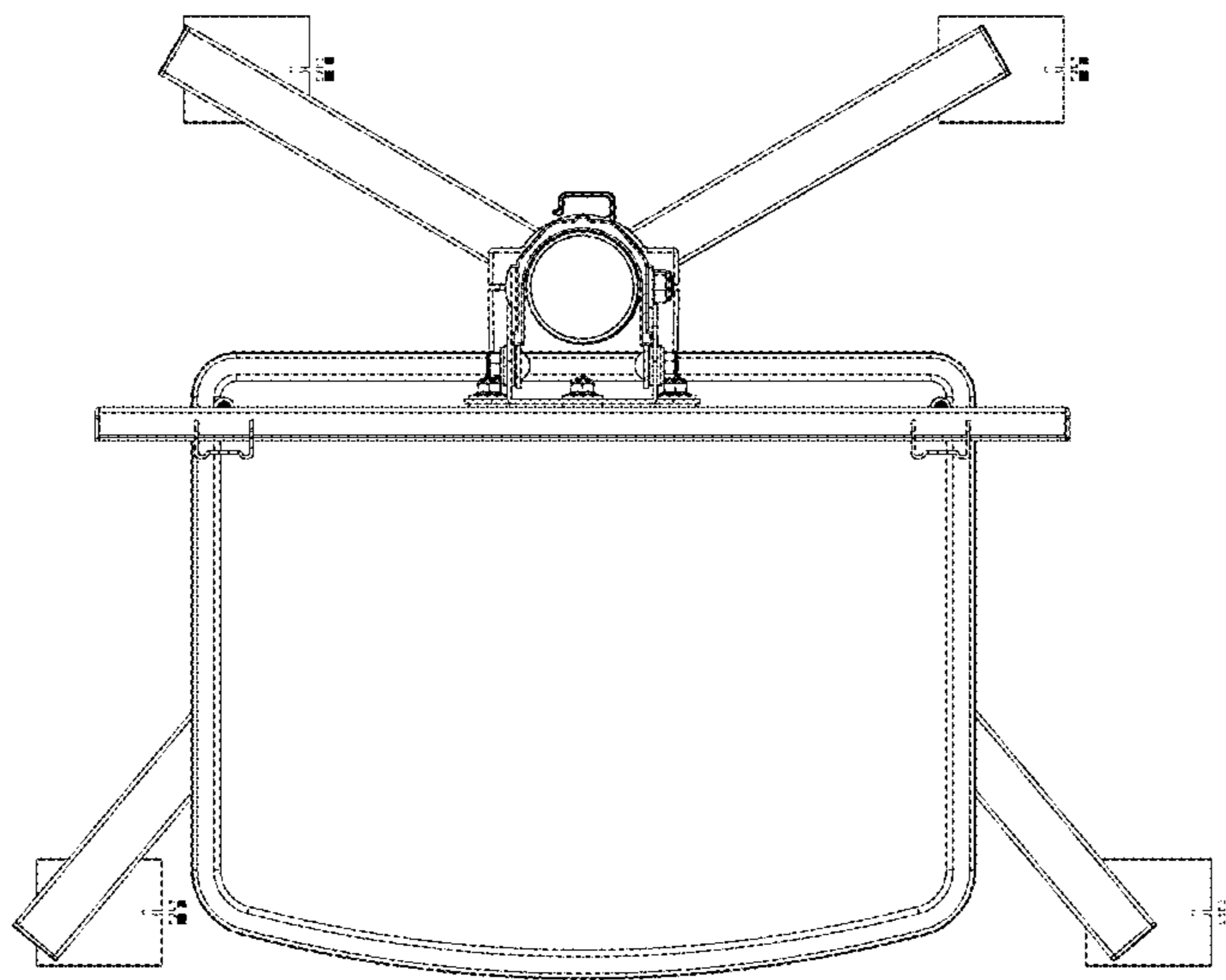


FIG. 6



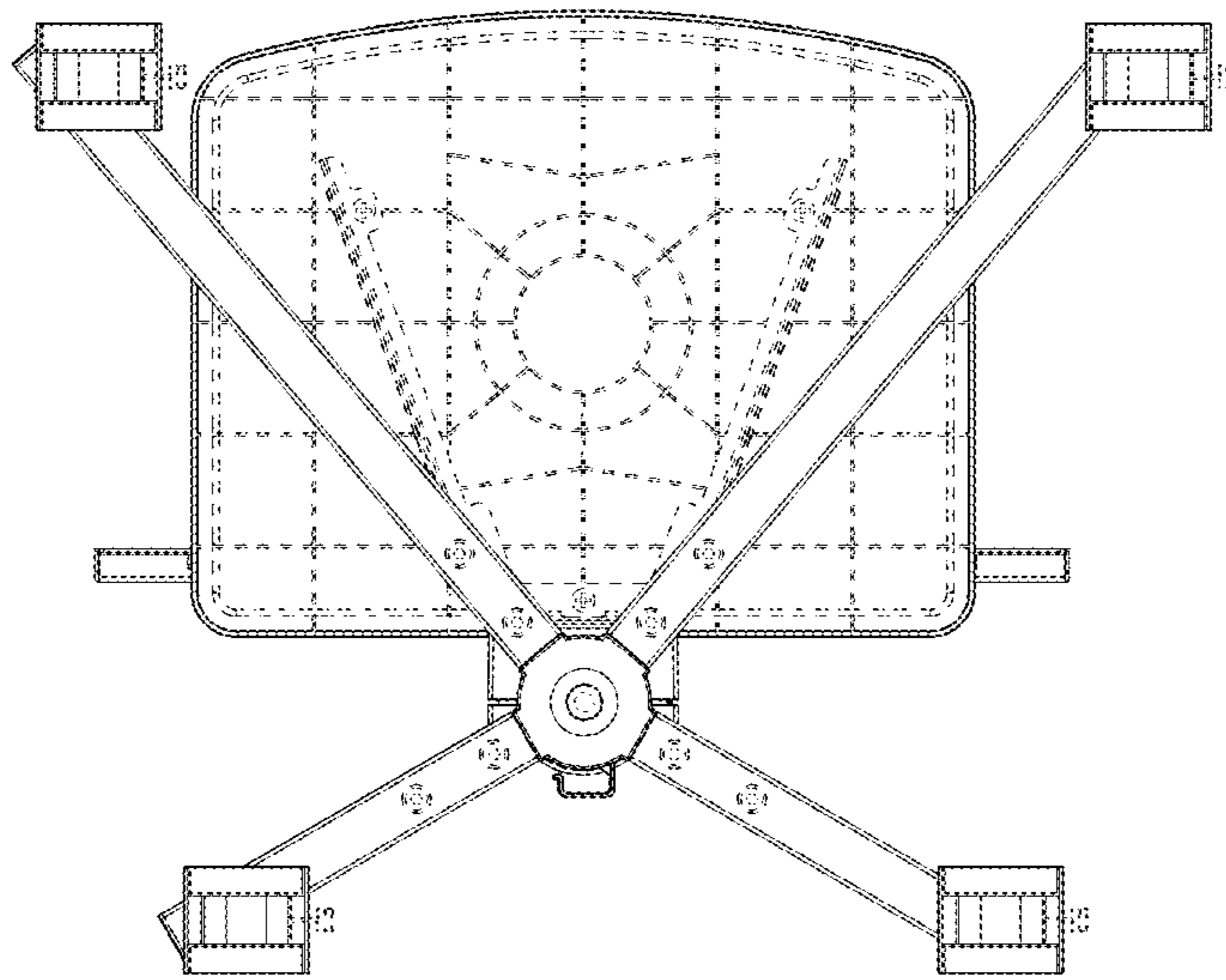


FIG. 7