



US00D957368S

(12) **United States Design Patent** (10) **Patent No.:** **US D957,368 S**
Liu (45) **Date of Patent:** **** Jul. 12, 2022**

(54) **ANTENNA WITH BOOM WITH SECTORS WITH LOOPED DIRECTORS**

D612,370 S * 3/2010 Suleiman D14/234
D667,540 S * 9/2012 Wu D23/415
D737,469 S * 8/2015 Bucarizza D25/119

(Continued)

(71) Applicant: **David Liu**, San Dimas, CA (US)

(72) Inventor: **David Liu**, San Dimas, CA (US)

(**) Term: **15 Years**

(21) Appl. No.: **29/769,849**

(22) Filed: **Feb. 8, 2021**

FOREIGN PATENT DOCUMENTS

CN 306112566 * 10/2020
CN 306112568 * 10/2020
CN 306256049 * 12/2020

(Continued)

OTHER PUBLICATIONS

Televes, DAT BOSS LoV/HiV/UHF Antenna . . . , available at lowes.com, oldest review date Oct. 9, 2021, site visited Apr. 18, 2022, Available at URL: <https://www.lowes.com/pd/Televes-Televes-DAT-BOSS-LoV-HiV-UHF-Antenna/5001459837?user=shopping> (Year: 2021).*

(Continued)

Related U.S. Application Data

(63) Continuation-in-part of application No. 29/767,303, filed on Jan. 21, 2021, now abandoned.

(51) **LOC (13) Cl.** **14-03**

(52) **U.S. Cl.**
USPC **D14/230**

(58) **Field of Classification Search**
USPC D14/230, 231-239; D8/302, 341, 331, D8/441; D23/324, 330, 393, 415, 323; D25/41.1, 66, 119, 117, 123, 125, 128, D25/126, 127
CPC H01Q 19/24; H01Q 11/125; H01Q 7/10; H01Q 7/10; H01Q 1/10; H01Q 21/00; H01Q 9/265; H01Q 5/392; H01Q 9/30; H01Q 1/46; A61B 6/12

See application file for complete search history.

Primary Examiner — Daniel J Domino
Assistant Examiner — Samina Vieth
(74) *Attorney, Agent, or Firm* — David L. Hoffman; Nolan Heimann LLP

(57) **CLAIM**

I claim the ornamental design for an antenna with boom with sectors with looped directors, as shown and described herein.

DESCRIPTION

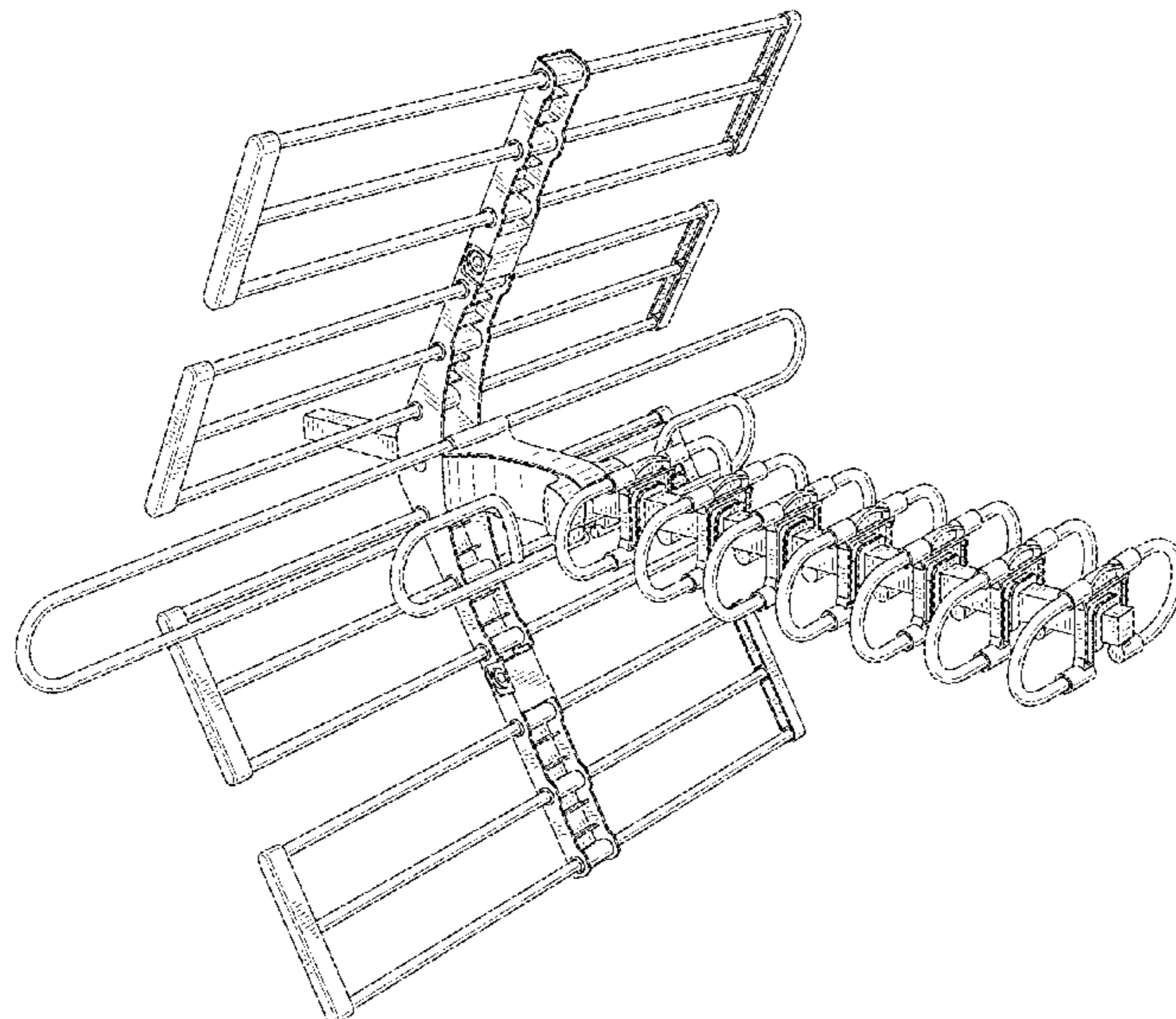
FIG. 1 is a left side and front perspective view of my antenna with boom with sectors with looped directors;
FIG. 2 is a right side and front perspective view thereof;
FIG. 3 is a left side view thereof, a right side view being a mirror image thereof;
FIG. 4 is a front view thereof;
FIG. 5 is a rear view thereof;
FIG. 6 is a top view thereof; and,
FIG. 7 is a bottom view thereof.

1 Claim, 7 Drawing Sheets

(56) **References Cited**

U.S. PATENT DOCUMENTS

2,471,256 A * 5/1949 Wintermute H01Q 19/10 D14/234
D209,968 S * 1/1968 Kleinberg et al. D14/230
D213,968 S * 4/1969 Callaghan D14/234
D222,359 S * 10/1971 Peterson D14/234
D232,737 S * 9/1974 Padilla et al. D14/234
D287,047 S * 12/1986 Nygren D23/323
D330,936 S * 11/1992 Dieterle D23/419



(56)

References Cited

U.S. PATENT DOCUMENTS

D863,268 S * 10/2019 Archer D14/230

FOREIGN PATENT DOCUMENTS

CN 306503162 * 4/2021
CN 306786294 * 8/2021
CN 306786296 * 8/2021

OTHER PUBLICATIONS

Five Star Store, TV Antenna Outdoor . . . , available at amazon.com, date first available Dec. 4, 2018, site visited Apr. 18, 2022, Available at URL: https://www.amazon.com/dp/B07L42GF2F/ref=cm_sw_em_r_mt_dp_E12XRKKGKEMH57D35KZB (Year: 2018).*

Five Star, Outdoor HDTV Antenna, available at amazon.com, date first available Sep. 16, 2021, site visited Apr. 18, 2022, Available at URL: https://www.amazon.com/dp/B09GH27K8N/ref=cm_sw_em_r_mt_dp_E0VBWWXB4PJX1GX4CZE5?_encoding=UTF8&psc=1 (Year: 2021).*

Range Xperts, XPS-1500 Long Range HDTV Antenna Demo, available at youtube.com, date posted Jan. 26, 2020, site visited Apr. 18, 2022, Available at <https://www.youtube.com/watch?v=epWwjJTp8o0> (Year: 2020).*

amazon.com; LAVA HD2605 [Newest 2020], Outdoor HD TV Antenna Remote Controlled Rotation Long Range 4K TV Installation Kit & mounting pole; accessed Jan. 15, 2021; 11 pages.

amazon.com; Outdoor TV Antenna, Digital Amplified HD TV 150 Mile Long Range with Mounting Pole & 33 ft RG6 Coax Cable, for UHF VHF 1080P 4K and All TVs, 360 Degree Rotation—Support 2 TVs; accessed Jan. 15, 2021; 10 pages.

overstock.com; FiveStar Outdoor HDTV Antenna 2019 Newest Model Long Range with Motorized 360 Degree Rotation, Plus Installation Kit; accessed Jan. 15, 2021; 3 pages.

* cited by examiner

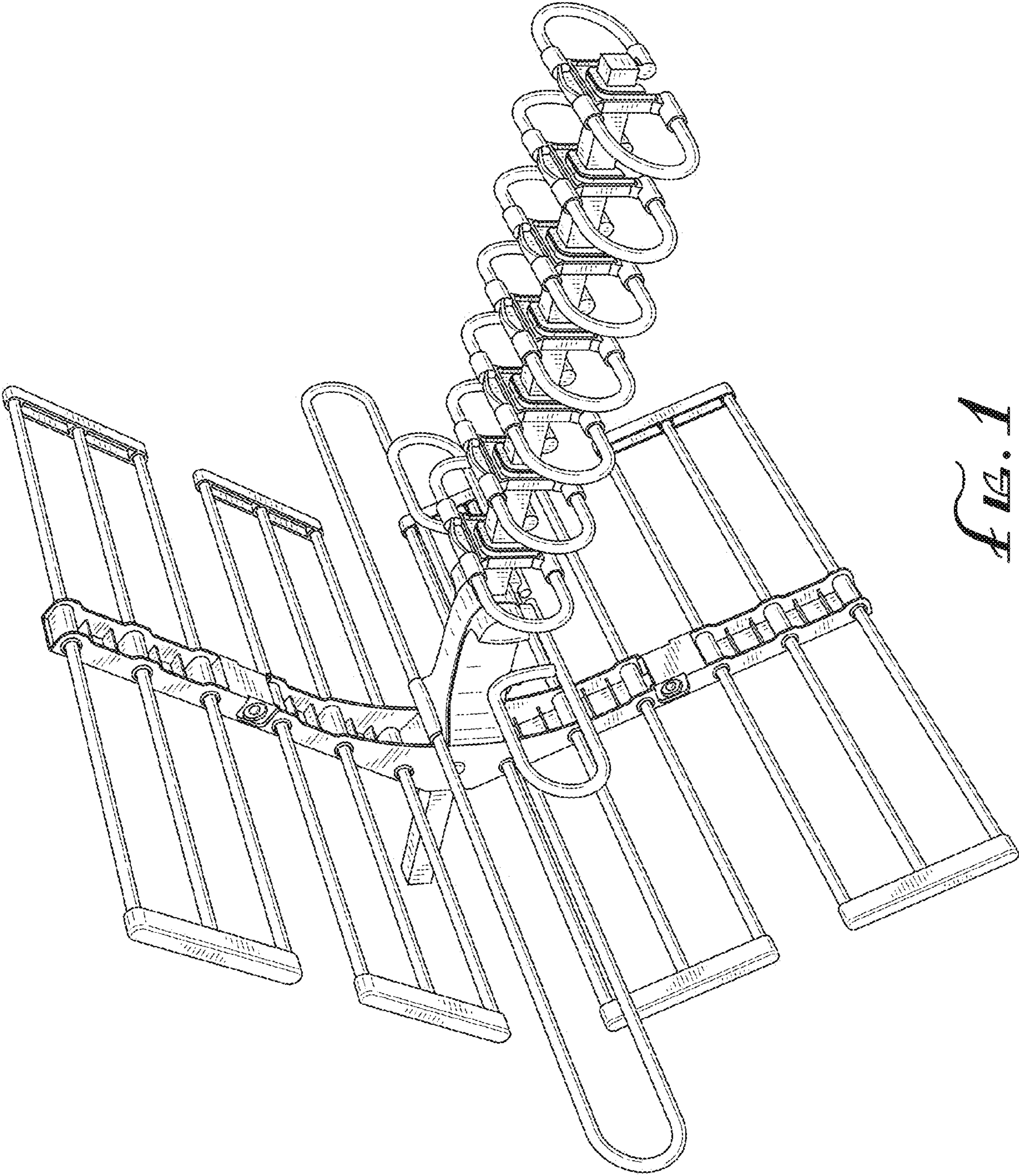


FIG. 1

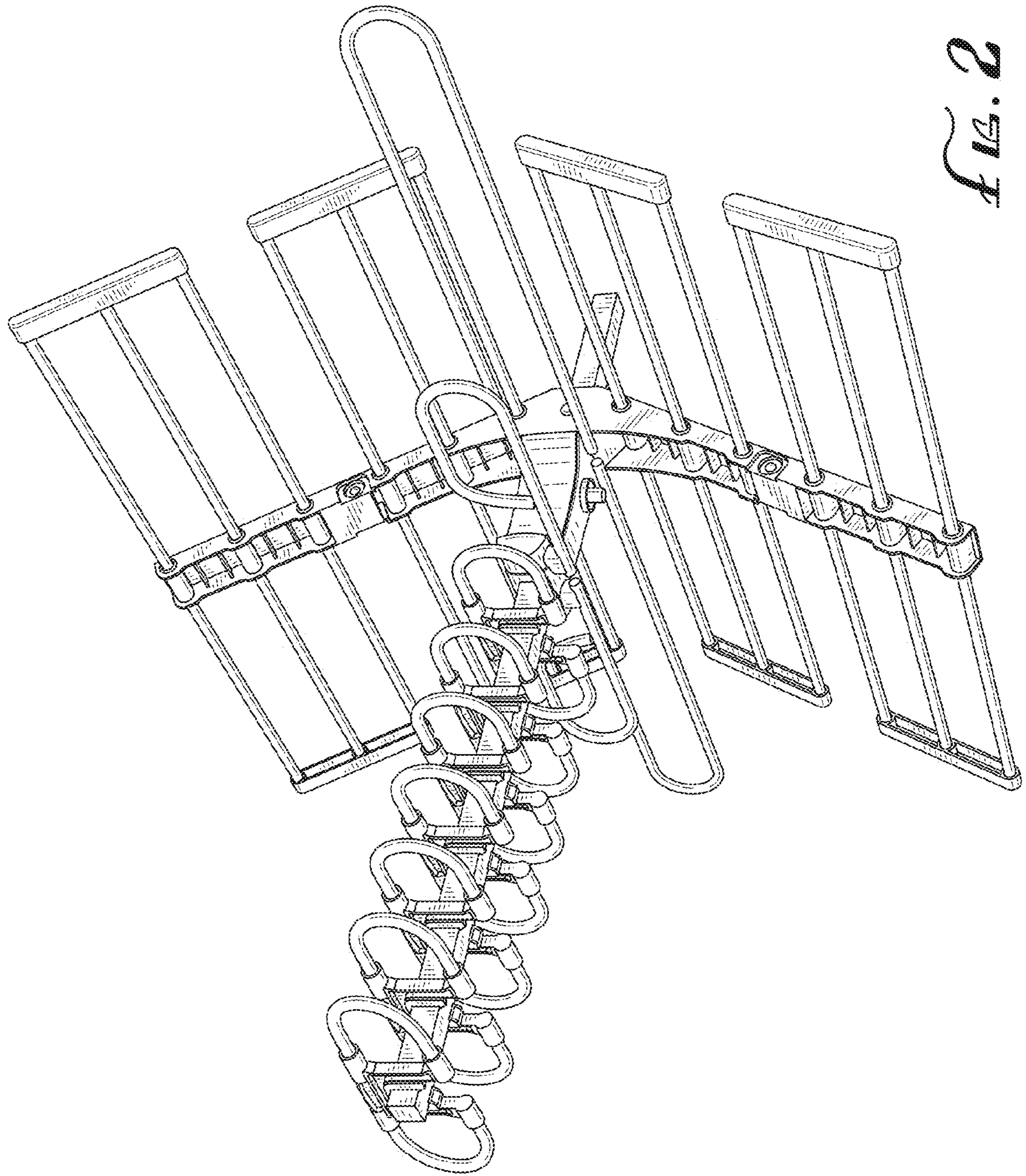


FIG. 2

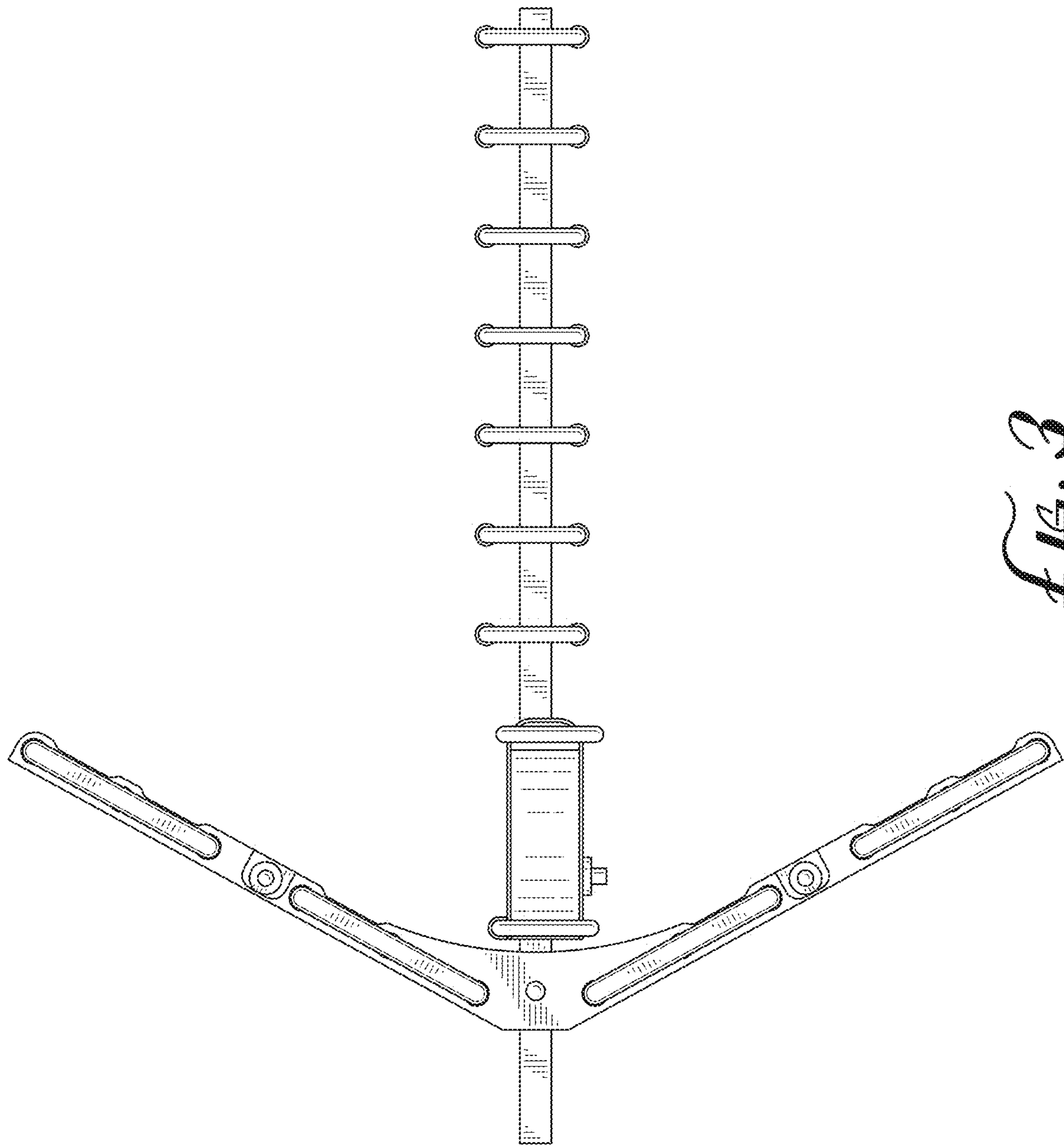


FIG. 3

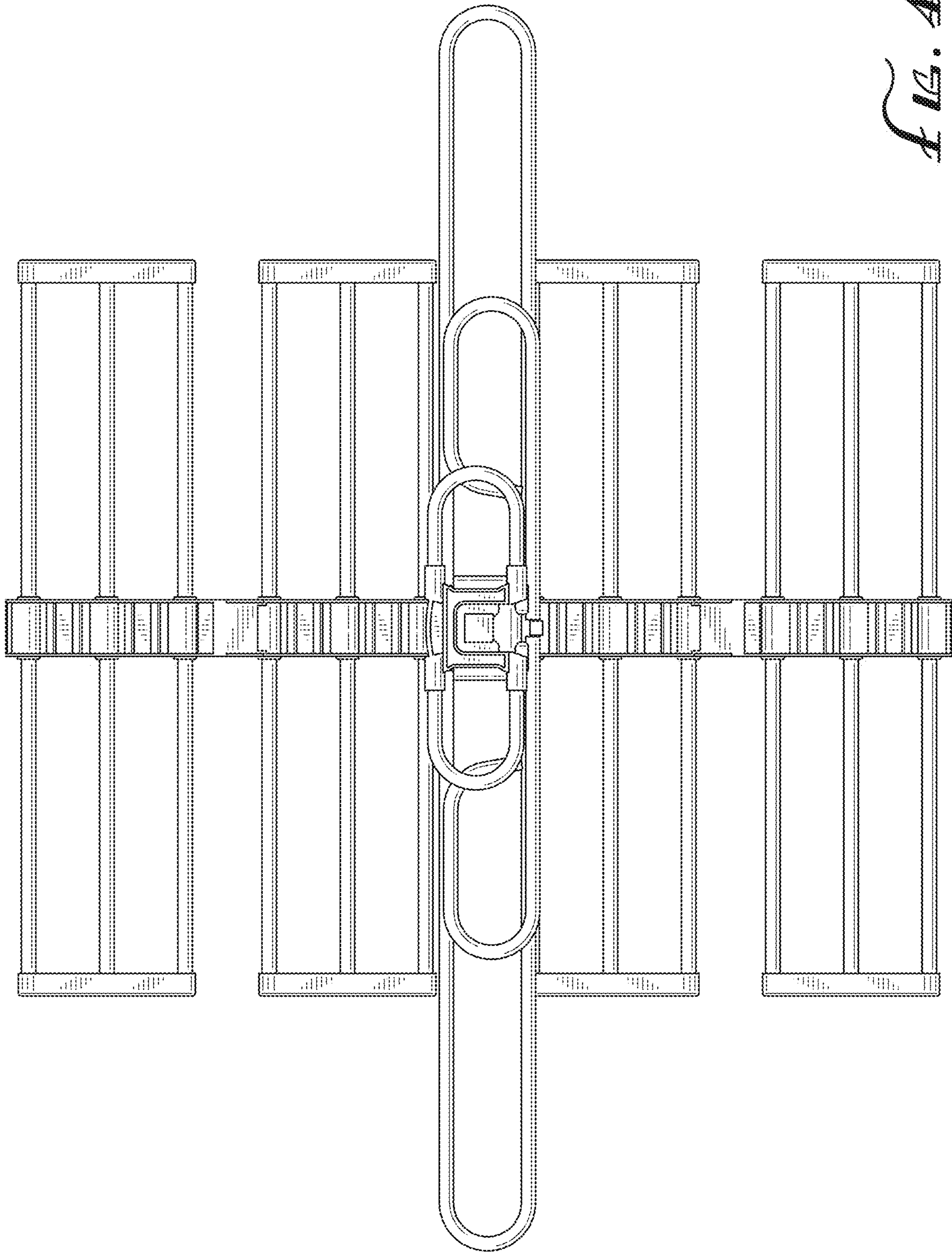


FIG. 4

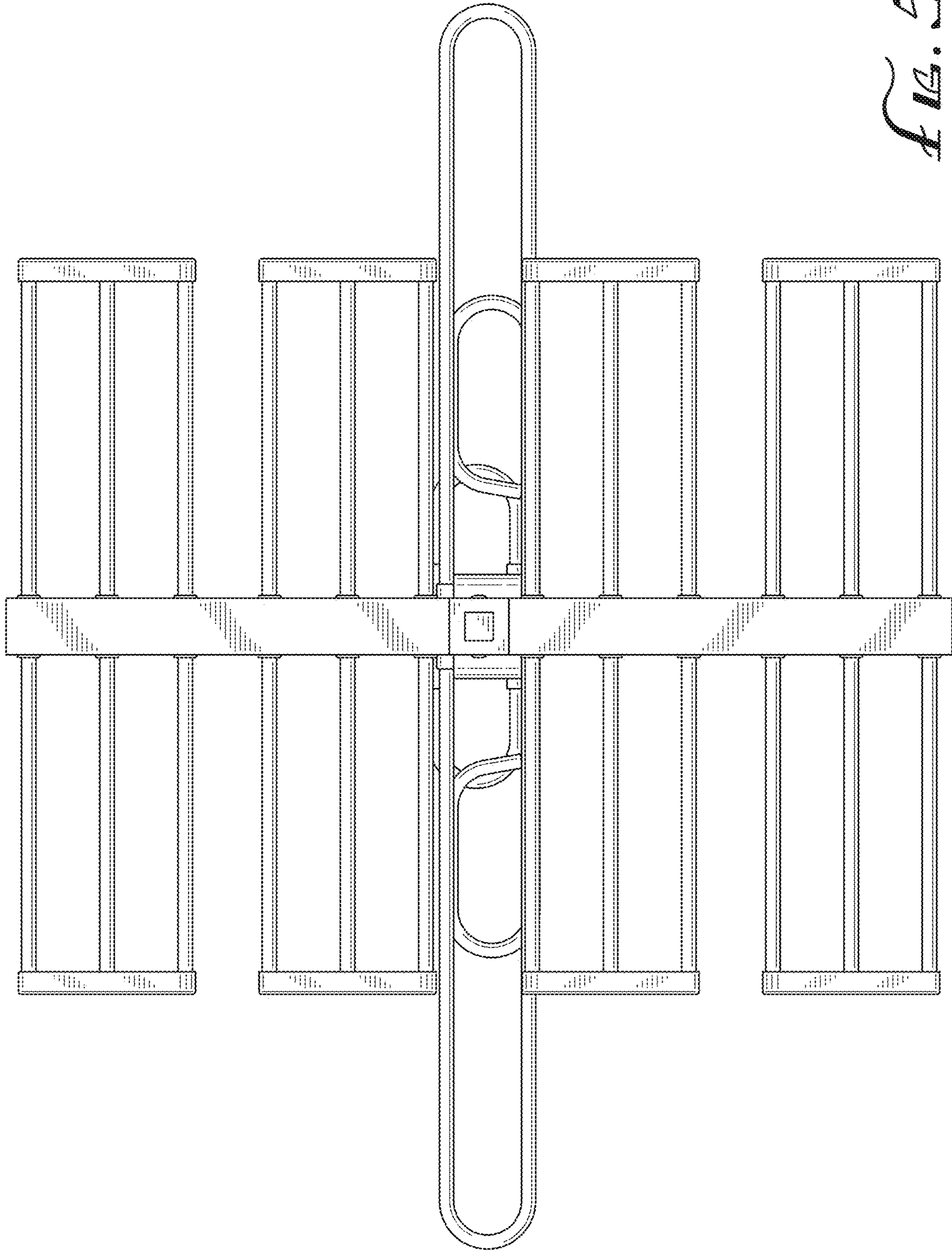


FIG. 5

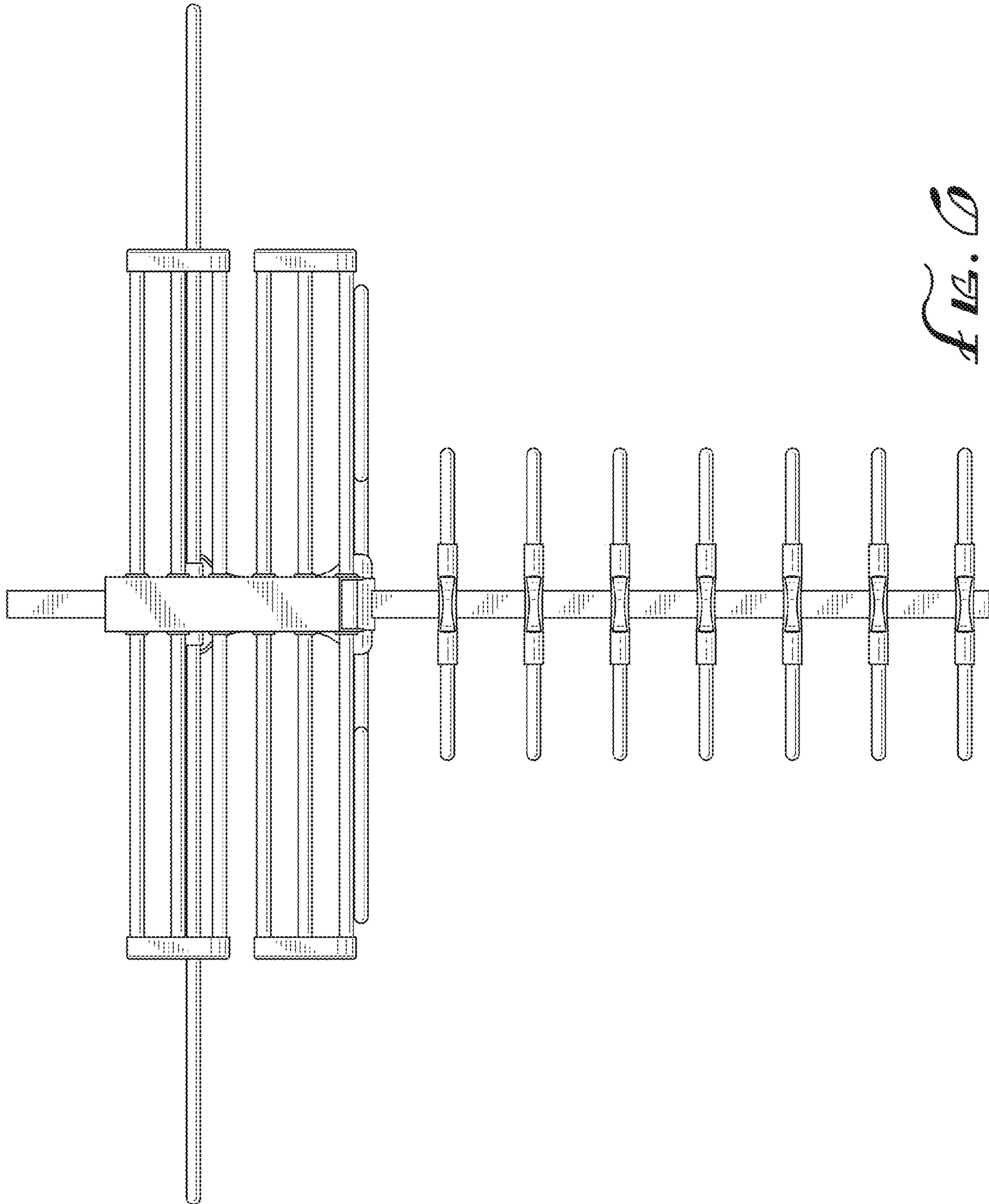


FIG. 6

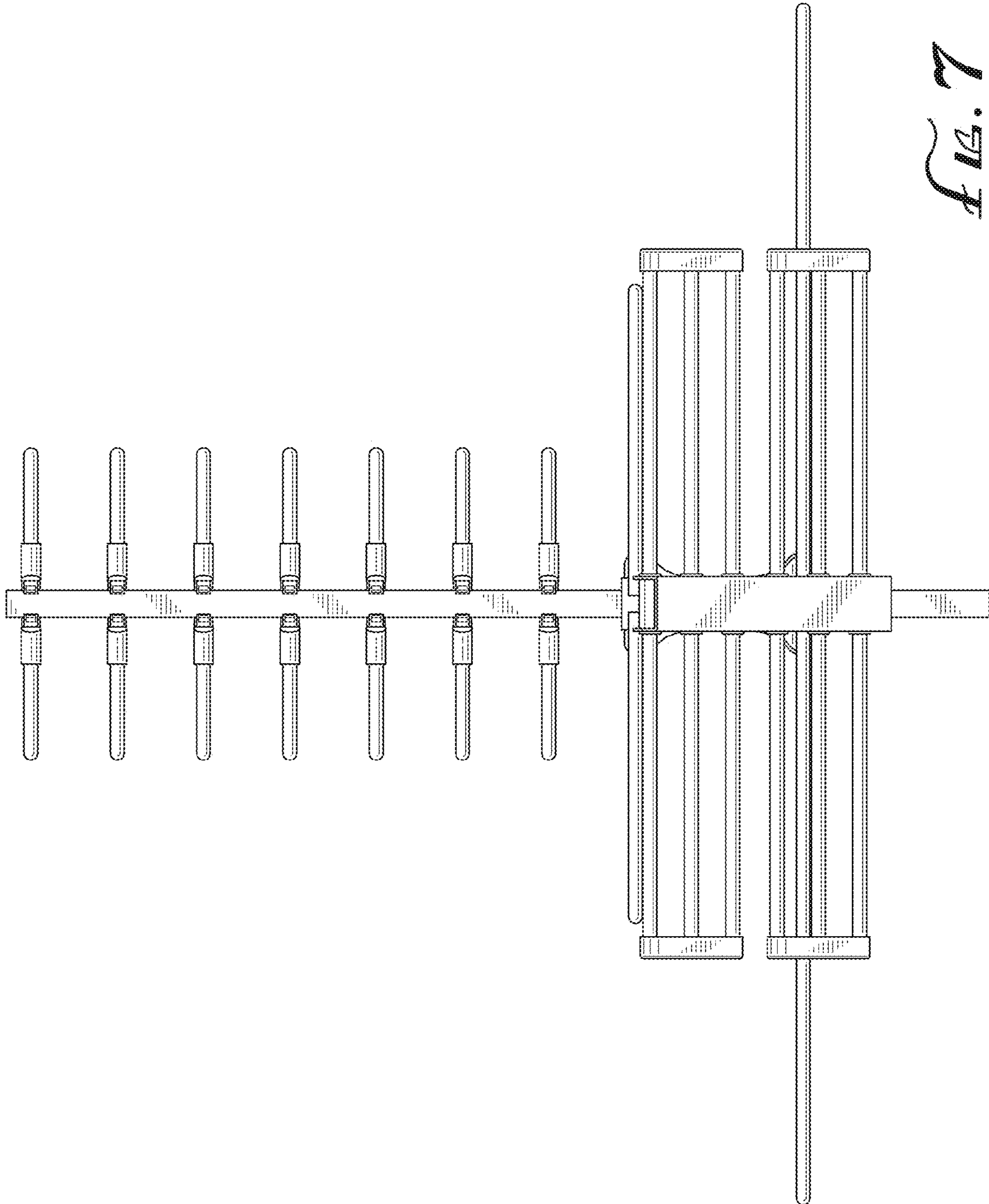


Fig. 7