



US00D957367S

(12) **United States Design Patent**
Sun et al.

(10) **Patent No.:** **US D957,367 S**
(45) **Date of Patent:** **** Jul. 12, 2022**

(54) **EARPHONE**
(71) Applicant: **BEIJING EDIFIER TECHNOLOGY CO., LTD**, Beijing (CN)
(72) Inventors: **Xiangyu Sun**, Beijing (CN); **Jiaying Yao**, Beijing (CN)
(73) Assignee: **BEIJING EDIFIER TECHNOLOGY CO., LTD.**, Beijing (CN)
(**) Term: **15 Years**
(21) Appl. No.: **29/760,360**

D803,184 S * 11/2017 Loh Jun Kern D14/223
D820,809 S * 6/2018 Akana D14/219
D821,362 S * 6/2018 Vaclavik D14/223
D822,009 S * 7/2018 Matoba D14/223
D830,336 S * 10/2018 Cai D14/205
D832,824 S * 11/2018 Kim D14/223
D847,125 S * 4/2019 Akana D14/206
D847,794 S * 5/2019 Guo D14/223
D848,979 S * 5/2019 Kim D14/223
D848,982 S * 5/2019 Kim D14/223
D848,983 S * 5/2019 Kim D14/223
D861,647 S * 10/2019 Chen D14/223
D864,165 S * 10/2019 Roberts D14/223
D864,169 S * 10/2019 Min D14/223
D869,445 S * 12/2019 Hu D14/223

(Continued)

(22) Filed: **Dec. 1, 2020**
(51) **LOC (13) Cl.** **14-01**
(52) **U.S. Cl.**
USPC **D14/223**
(58) **Field of Classification Search**
USPC D14/223, 205; D24/174; 128/864–866;
381/380, 381; 455/90.3, 575.1, 569.1;
D13/108
CPC H04R 1/10; H04R 25/00; H04R 25/02;
H04R 1/1066; H04R 1/1016; H04R
5/033; H04R 5/0335; H04R 1/083; H04R
1/1091; H02J 7/02
See application file for complete search history.

FOREIGN PATENT DOCUMENTS

CN 306928291 * 11/2021
EM 008305478-0001 * 12/2020

(Continued)

Primary Examiner — Paula Allen Greene
(74) *Attorney, Agent, or Firm* — The Webb Law Firm

(57) **CLAIM**

The ornamental design for the earphone, as shown and described.

DESCRIPTION

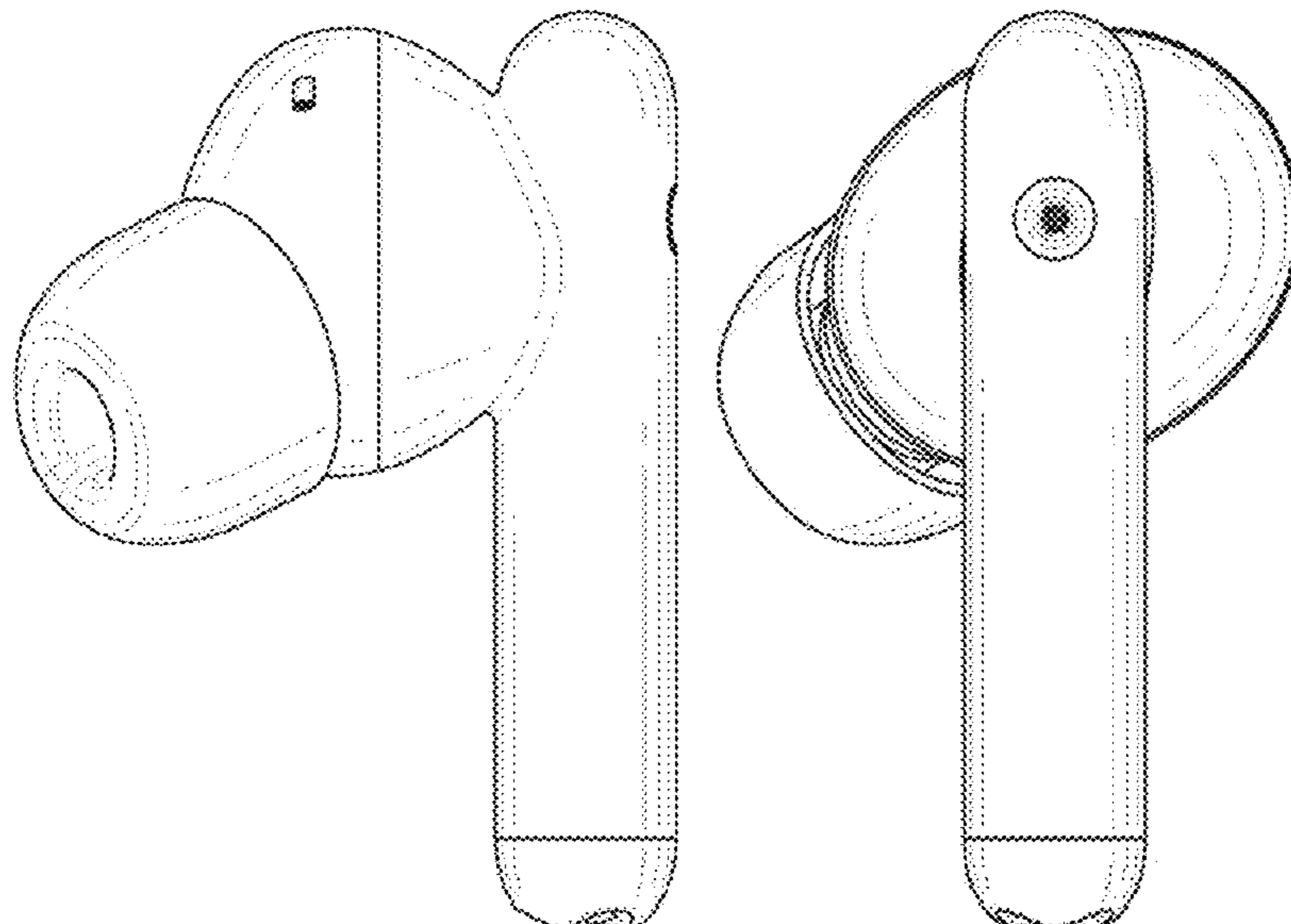
FIG. 1 is a front view of the earphone showing our new design;
FIG. 2 is a back view thereof;
FIG. 3 is a left side view thereof;
FIG. 4 is a right side view thereof;
FIG. 5 is a top view thereof;
FIG. 6 is a bottom view thereof;
FIG. 7 is a first perspective view thereof;
FIG. 8 is a second perspective view thereof; and,
FIG. 9 is a third perspective view thereof.

1 Claim, 9 Drawing Sheets

(56) **References Cited**

U.S. PATENT DOCUMENTS

4,122,841 A * 10/1978 Rock A61B 5/12
128/864
8,265,323 B2 * 9/2012 Stiehl H04R 1/1016
381/371
8,712,087 B2 * 4/2014 Ozawa H04R 1/345
381/328
D784,962 S * 4/2017 Yang D14/223
D801,312 S * 10/2017 Birger H04R 1/1025
D14/223
D801,314 S * 10/2017 Akana D14/223



(56)

References Cited

U.S. PATENT DOCUMENTS

D878,337 S * 3/2020 Yang D14/223
 D888,690 S * 6/2020 Yan D14/223
 D888,691 S * 6/2020 Liu D14/223
 D889,436 S * 7/2020 Zhang D14/206
 D889,440 S * 7/2020 Yan D14/223
 D890,138 S * 7/2020 Peng D14/223
 D893,462 S * 8/2020 Liu D14/223
 D894,875 S * 9/2020 Zhao D14/223
 D895,579 S * 9/2020 Yang D14/223
 D895,582 S * 9/2020 Wu D14/223
 D896,206 S * 9/2020 Xu D14/223
 D897,997 S * 10/2020 Zhang D14/223
 D897,998 S * 10/2020 Ma D14/223
 D903,639 S * 12/2020 Yang D14/223
 D904,351 S * 12/2020 Zhang D14/223
 D905,018 S * 12/2020 Zhu D14/223
 D907,008 S * 1/2021 Yao D14/223
 D907,607 S * 1/2021 Deng D14/223
 D910,600 S * 2/2021 Zhang D14/223
 D910,601 S * 2/2021 Hu D14/223
 D912,011 S * 3/2021 Zhao H04R 1/1041
 D915,355 S * 4/2021 Xiang D14/223
 D916,683 S * 4/2021 Yao D14/223
 D918,178 S * 5/2021 Chen D14/223
 D918,179 S * 5/2021 Zhao D14/223

D918,182 S * 5/2021 Chen D14/223
 D920,291 S * 5/2021 Hou D14/223
 D920,293 S * 5/2021 Chen D14/223
 D921,615 S * 6/2021 Wu D14/223
 D928,126 S * 8/2021 Chen D14/223
 D929,969 S * 9/2021 Ding D3/274
 D940,690 S * 1/2022 Zhang D14/223
 D942,424 S * 2/2022 Ye D14/223
 2007/0189570 A1 * 8/2007 Matsuo H04R 1/10
 181/135
 2013/0004011 A1 * 1/2013 Hayashida H04R 1/345
 381/380
 2016/0205458 A1 * 7/2016 Huang H04R 1/1016
 381/380
 2020/0252715 A1 * 8/2020 Zhou H04R 1/1041
 2020/0304898 A1 * 9/2020 Cohen H04R 1/1016
 2020/0382856 A1 * 12/2020 Liu H04R 1/1091
 2021/0084402 A1 * 3/2021 Terlizzi H04B 5/0062
 2021/0120328 A1 * 4/2021 Hedh H04R 1/1041
 2021/0266653 A1 * 8/2021 Cao H04R 1/1075

FOREIGN PATENT DOCUMENTS

EM 008631436-0001 * 7/2021
 EM 008634729-0001 * 7/2021
 EM 008643449-0001 * 8/2021
 EM 008788723-0002 * 12/2021
 GB 9008320691-0003 * 12/2020

* cited by examiner

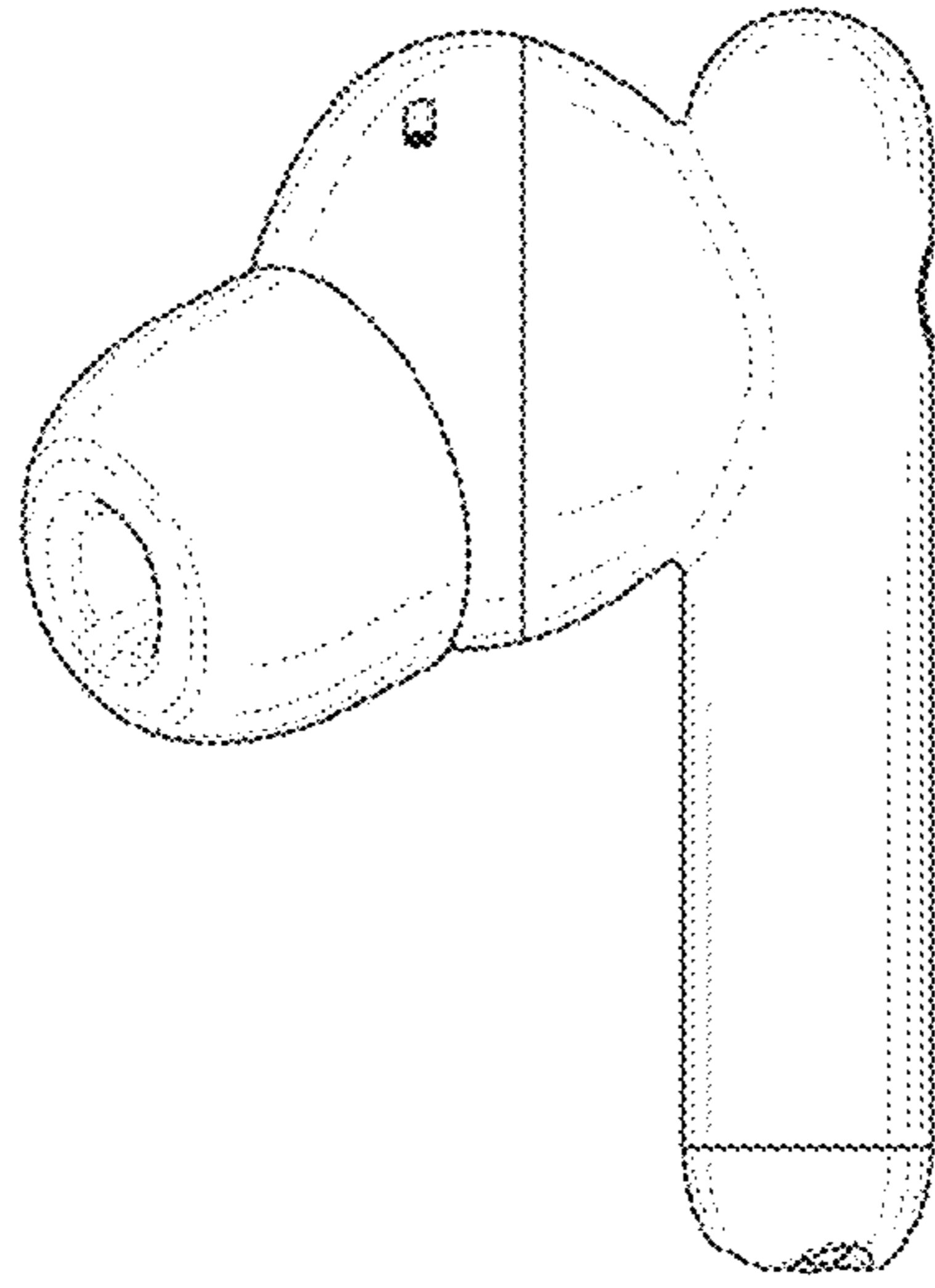


FIG. 1

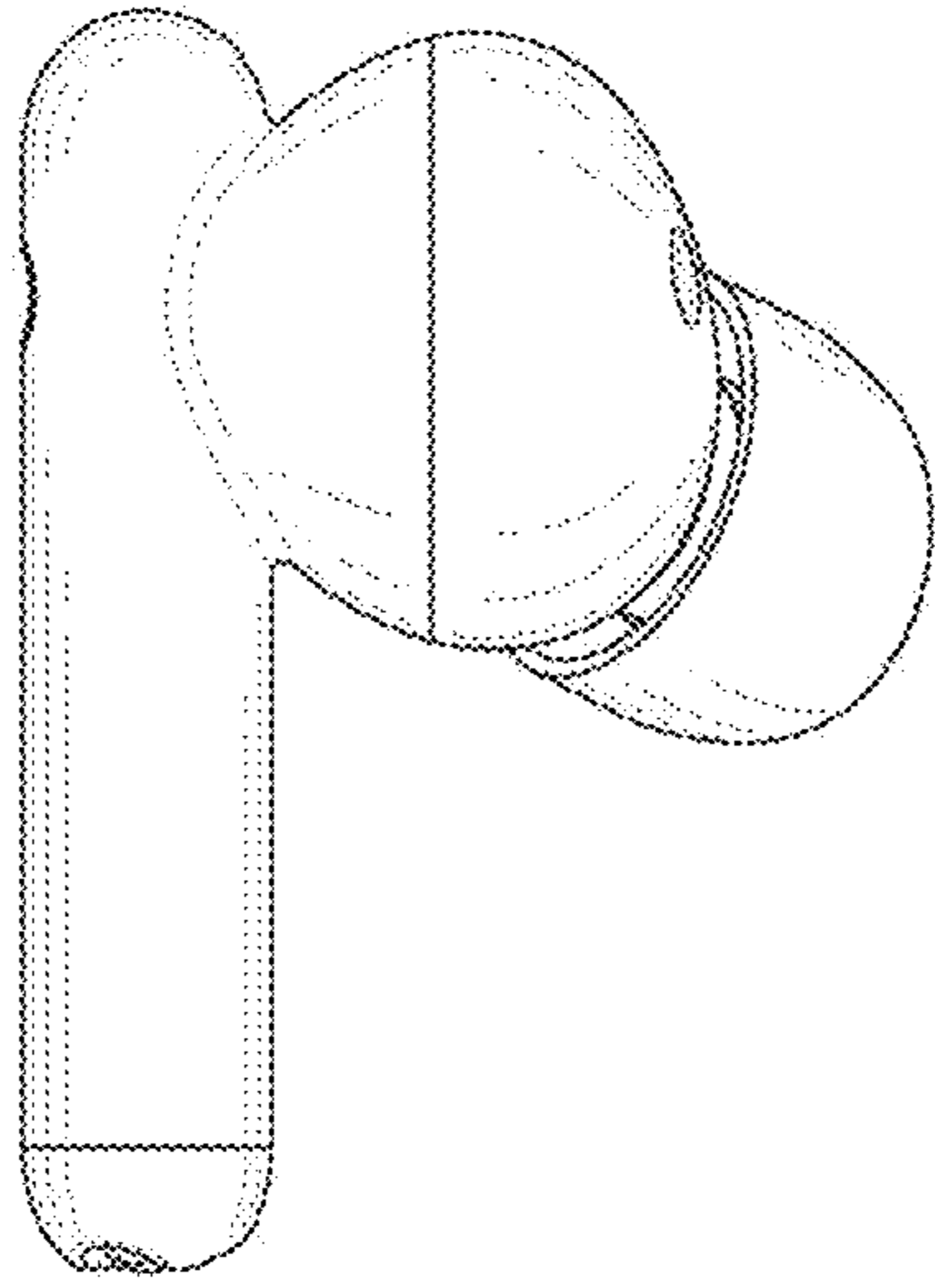


FIG. 2

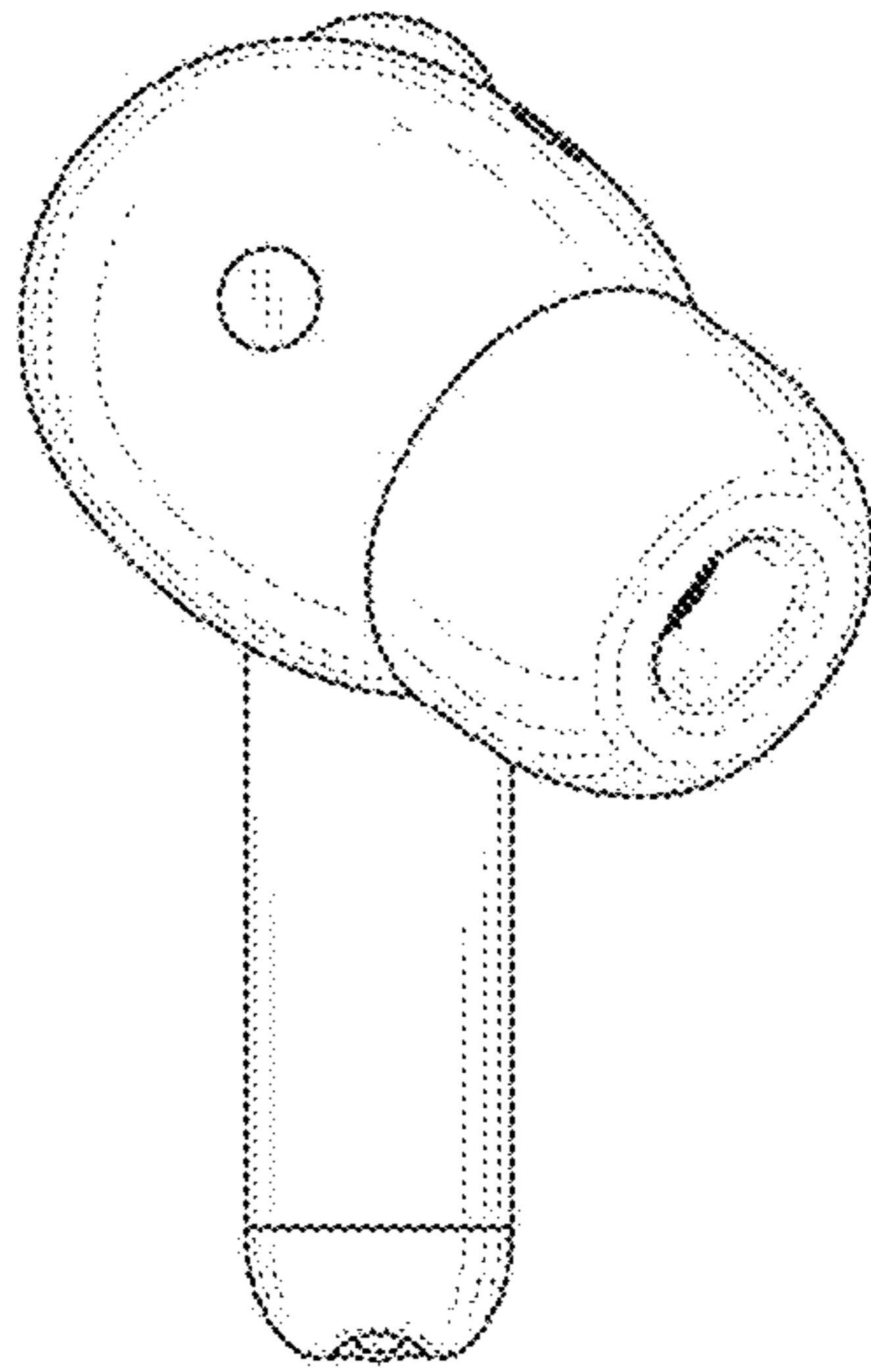


FIG. 3

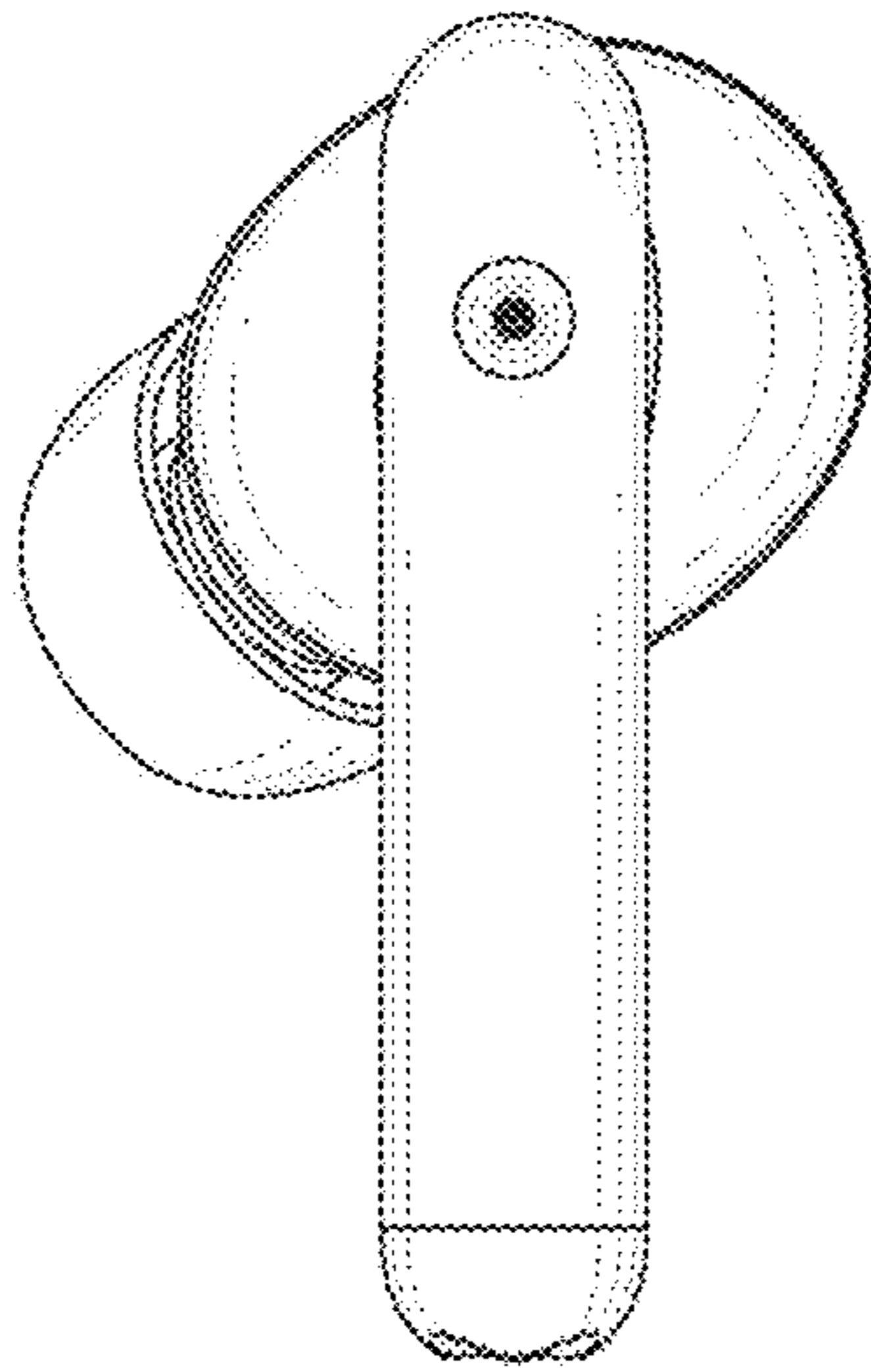


FIG. 4

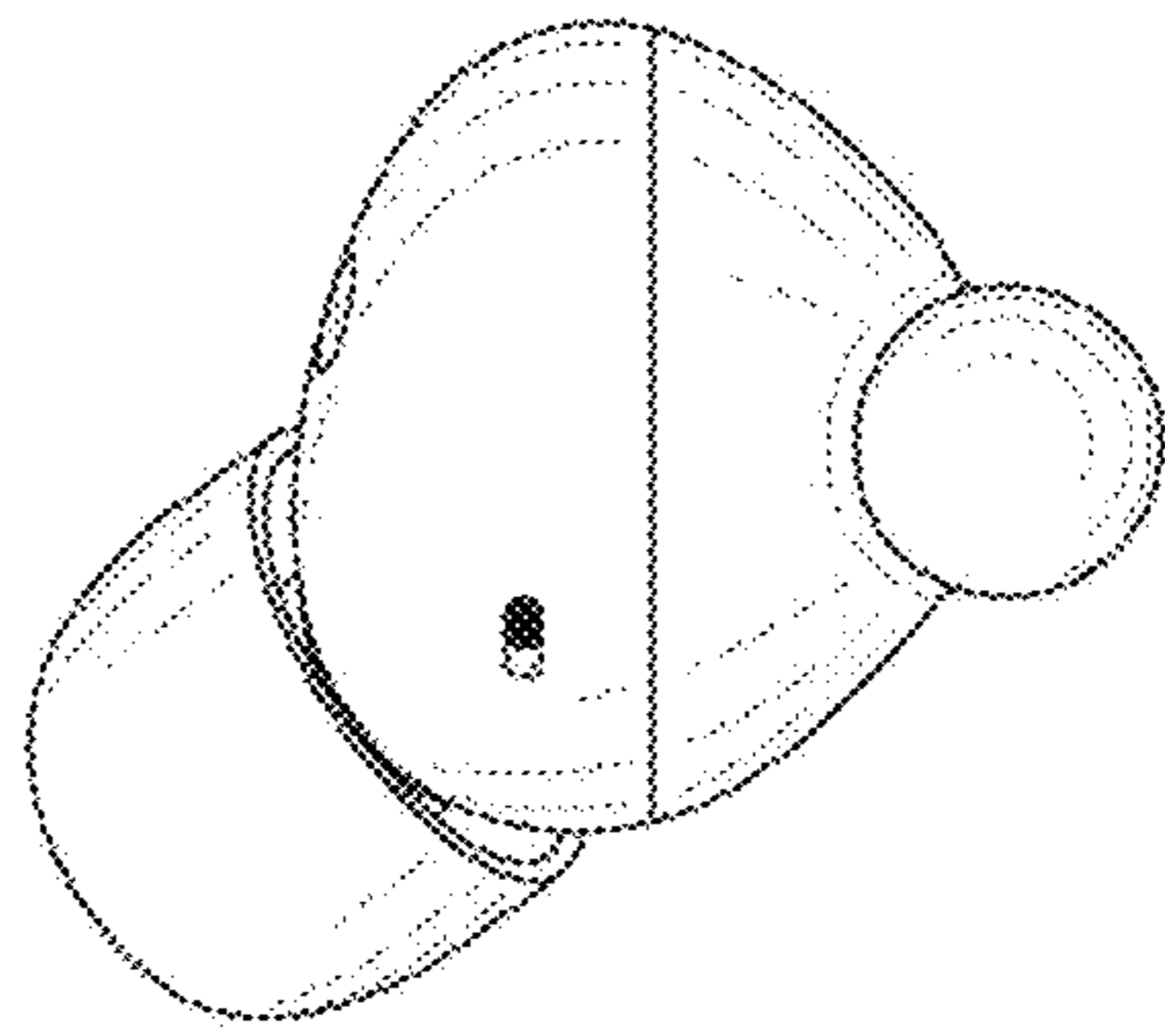


FIG. 5

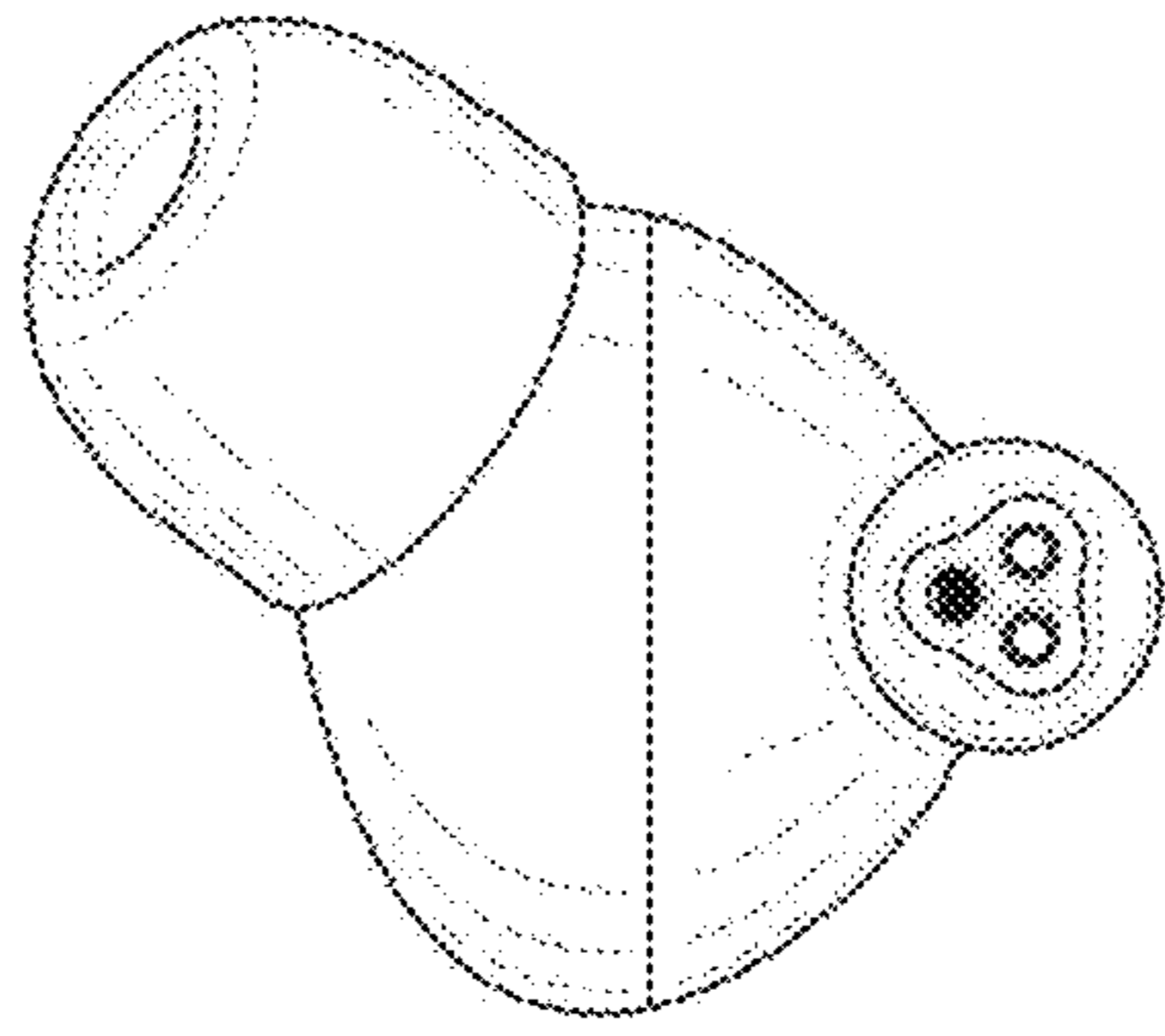


FIG. 6

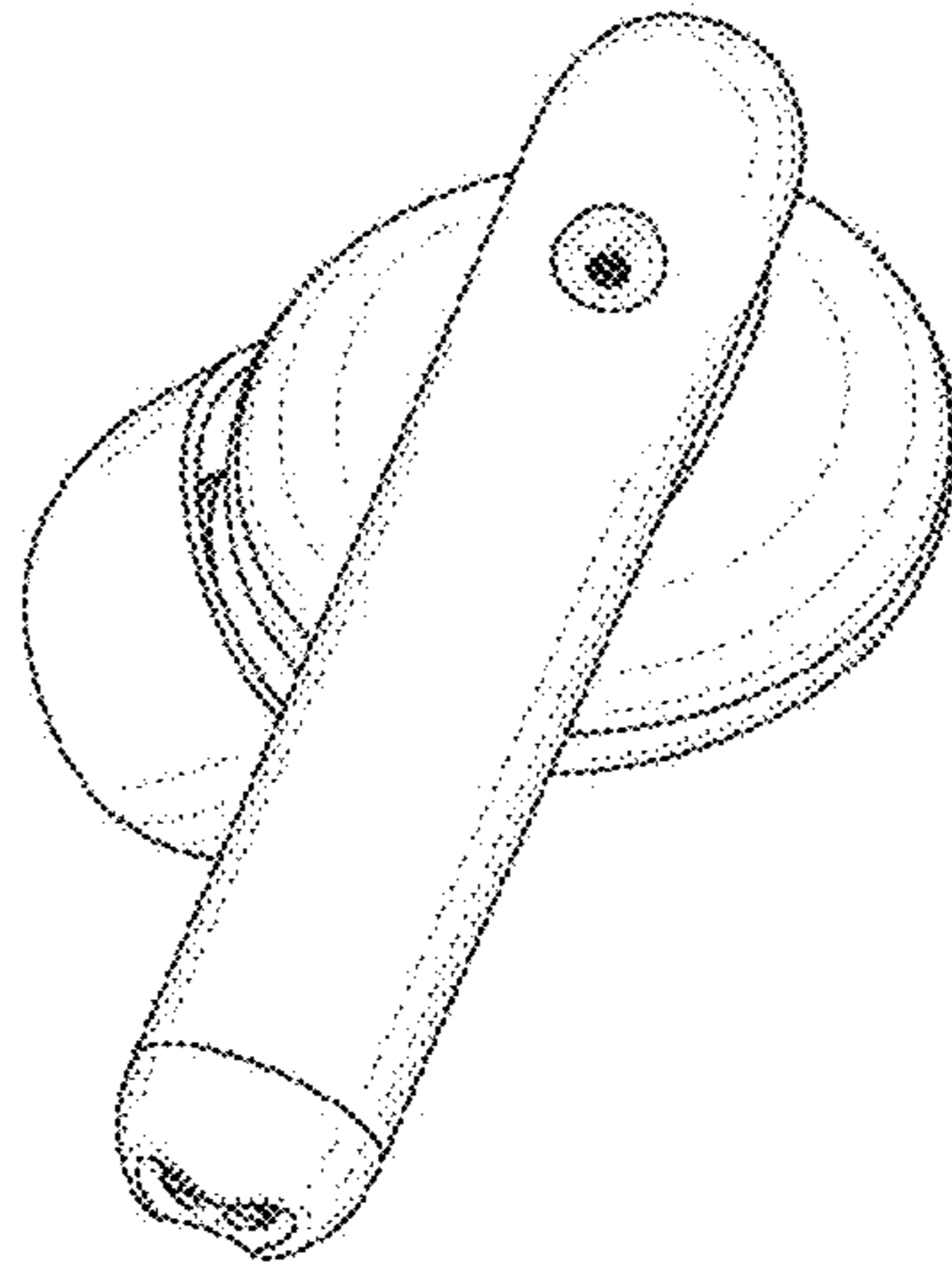


FIG. 7

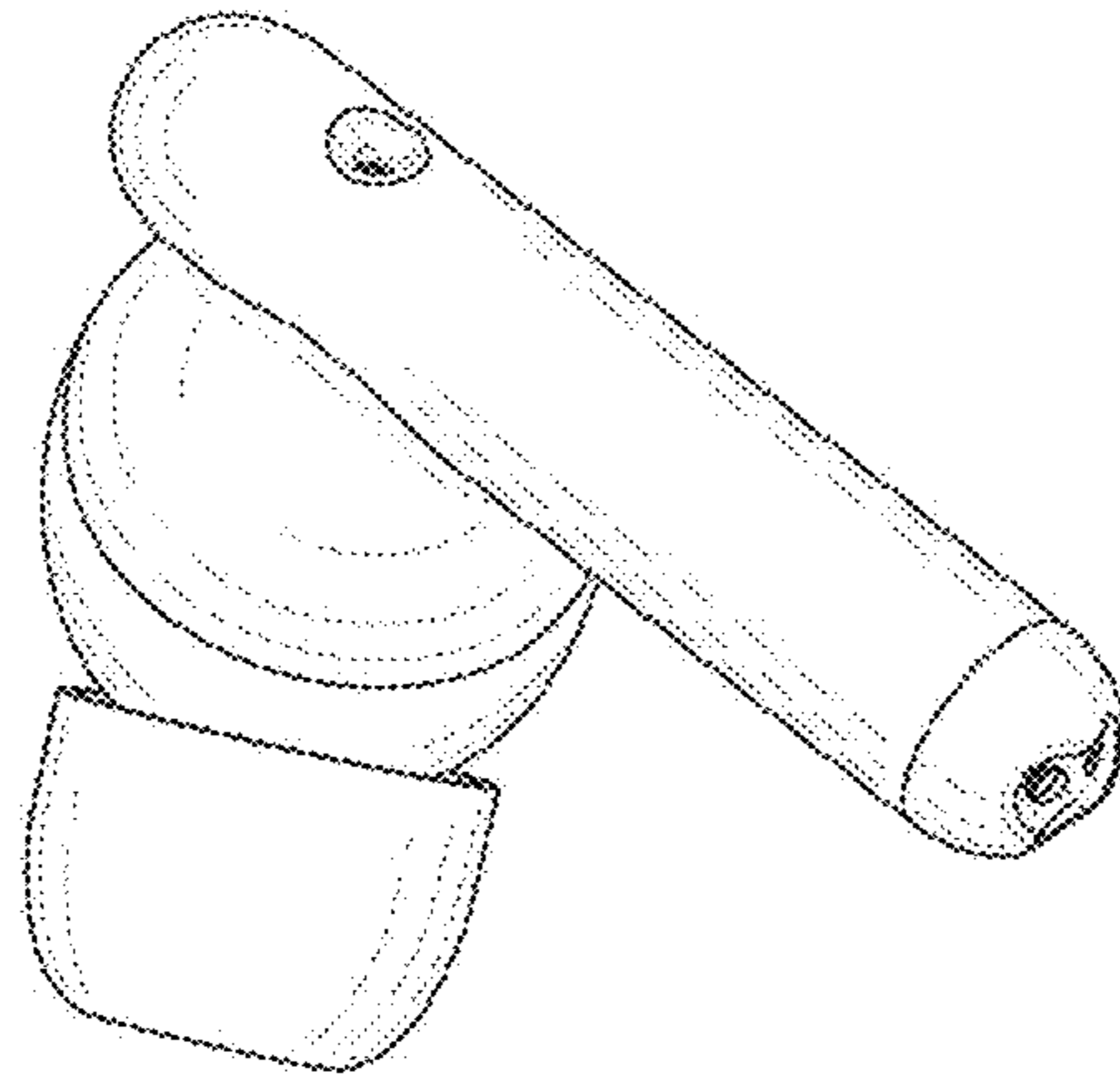


FIG. 8

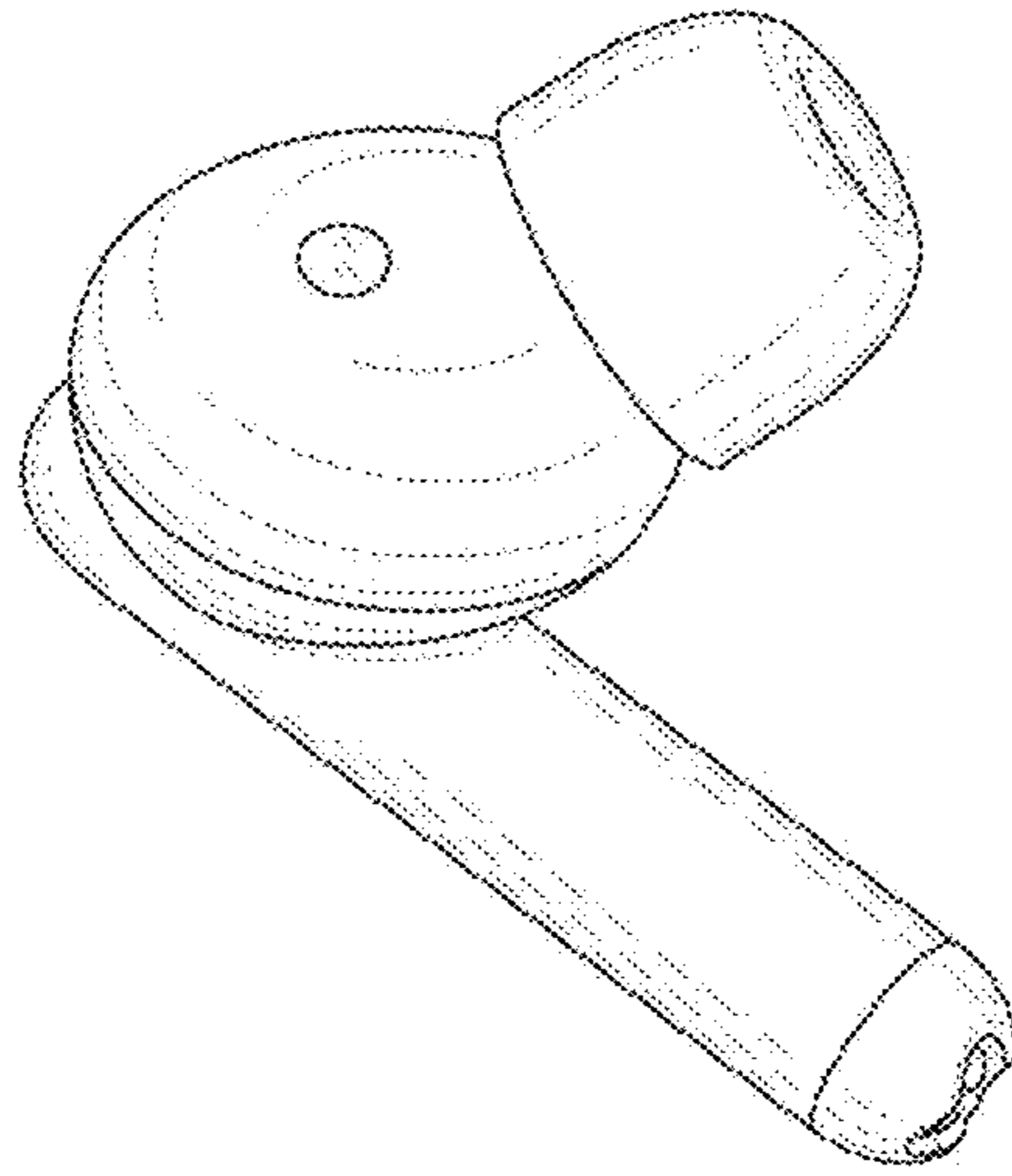


FIG. 9