



US00D957364S

(12) **United States Design Patent** (10) **Patent No.:** **US D957,364 S**
Wu (45) **Date of Patent:** **** Jul. 12, 2022**

(54) **INTELLIGENT CONTROL BOX**
(71) Applicant: **Shenzhen Intellirocks Tech. Co., Ltd**,
Shenzhen (CN)
(72) Inventor: **Wenlong Wu**, Shenzhen (CN)
(73) Assignee: **Shenzhen Intellirocks Tech. Co., Ltd**,
Shenzhen (CN)
(**) Term: **15 Years**
(21) Appl. No.: **29/704,437**
(22) Filed: **Sep. 5, 2019**
(51) **LOC (13) Cl.** **14-03**
(52) **U.S. Cl.**
USPC **D14/218; D13/168**
(58) **Field of Classification Search**
USPC D14/218, 155, 206, 223, 225, 240, 205;
D11/83; D21/621; D13/168
(Continued)

(56) **References Cited**
U.S. PATENT DOCUMENTS
D334,043 S * 3/1993 Taniguchi D14/218
D379,627 S * 6/1997 Takahashi D14/188
(Continued)

FOREIGN PATENT DOCUMENTS
CN 306412731 * 3/2021
CN 306570315 * 5/2021
(Continued)

OTHER PUBLICATIONS
Sevetesco, Led Controller and Led Light Remote . . . , available at
amazon.com, date first available May 10, 2021, site visited May 2,
2022, Available at URL: [https://www.amazon.com/dp/B094JYGDLF/
ref=cm_sw_em_r_mt_dp_M567G4EK1MXS86W576B4?_encoding=
UTF8&pvc=1](https://www.amazon.com/dp/B094JYGDLF/ref=cm_sw_em_r_mt_dp_M567G4EK1MXS86W576B4?_encoding=UTF8&pvc=1) (Year: 2021).
(Continued)

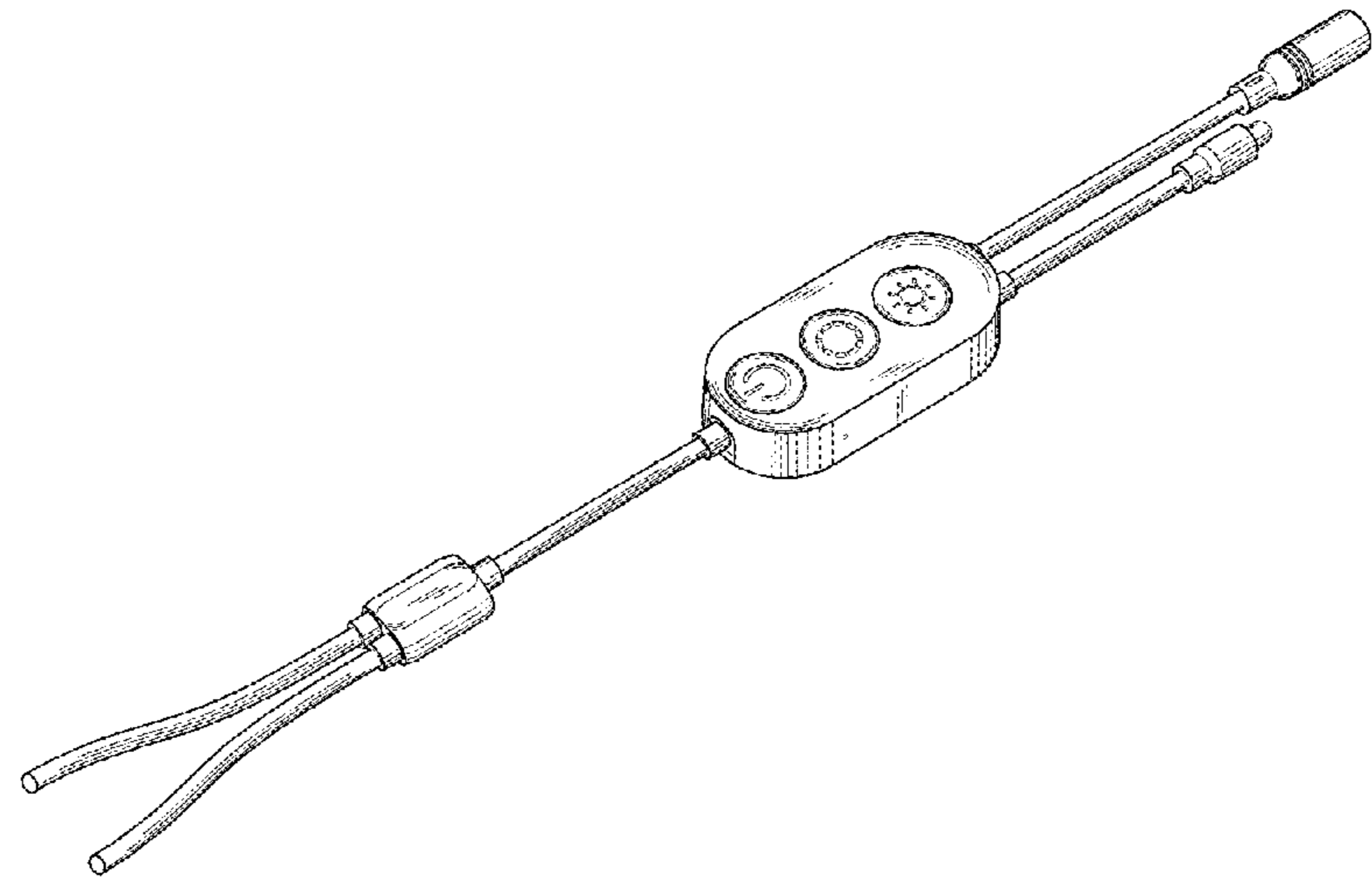
Primary Examiner — Daniel J Domino
Assistant Examiner — Samina Vieth

(74) *Attorney, Agent, or Firm* — W&G Law Group

(57) **CLAIM**
The ornamental design for a intelligent control box, as
shown and described.

DESCRIPTION
FIG. 1 is a first perspective view of an intelligent control box
according to a first embodiment of my new design;
FIG. 2 is a second perspective view of the intelligent control
box, according to a first embodiment of my new design;
FIG. 3 is a front view thereof;
FIG. 4 is a rear view thereof;
FIG. 5 is a left view thereof;
FIG. 6 is a right view thereof;
FIG. 7 is a top view thereof;
FIG. 8 is a bottom view thereof;
FIG. 9 is a first perspective view of an intelligent control box
according to a second embodiment of my new design;
FIG. 10 is a second perspective view of the intelligent
control box according to the second embodiment of my new
design;
FIG. 11 is a front view of the intelligent control box
according to the second embodiment of my new design;
FIG. 12 is a rear view of the intelligent control box accord-
ing to the second embodiment of my new design;
FIG. 13 is a left view of the intelligent control box according
to the second embodiment of my new design;
FIG. 14 is a right view of the intelligent control box
according to the second embodiment of my new design;
FIG. 15 is a top view of the intelligent control box according
to the second embodiment of my new design;
FIG. 16 is a bottom view of the intelligent control box
according to the second embodiment of my new design;
FIG. 17 is a perspective view of the intelligent control box
in use with the light strip for reference, according to the first
embodiment of my new design; and,
FIG. 18 is a perspective view of the intelligent control box
in use with the light strip for reference, according to the
second embodiment of my new design.
The broken lines in the drawings show portions of the
intelligent control box which form no part of the claimed
design.

1 Claim, 18 Drawing Sheets



(58) **Field of Classification Search**

CPC H03J 1/0025; H03J 9/00; H03J 9/04; H03J 9/06; H01H 9/0228; H01H 9/0235; H01H 15/24; G08C 19/28; G08C 17/00; G08C 17/02; G08C 23/04; H04B 1/202; G05B 11/01; H04R 1/1041

See application file for complete search history.

D914,615 S * 3/2021 Yi D13/168
 D916,034 S * 4/2021 Shi D14/218
 D940,085 S * 1/2022 Pan D13/168

FOREIGN PATENT DOCUMENTS

GB 6100823 * 9/2020
 JP D1686225 * 5/2021
 JP D1695862 * 9/2021
 JP D1711565 * 4/2022
 WO D128025-001 * 12/2021

(56) **References Cited**

U.S. PATENT DOCUMENTS

D425,512 S * 5/2000 Waldner D14/230
 D488,148 S * 4/2004 Shively D14/230
 D523,001 S * 6/2006 Hussaini D14/218
 D548,728 S * 8/2007 Yoshiyama D14/218
 D598,010 S * 8/2009 Matsuda D14/223
 D614,166 S * 4/2010 Brickstad D14/218
 D614,167 S * 4/2010 Brickstad D14/218
 D681,001 S * 4/2013 Murchison D14/205
 D726,831 S * 4/2015 Lee D14/218
 D776,635 S * 1/2017 Chang D14/205
 D786,825 S * 5/2017 Shifron D14/206
 D793,995 S * 8/2017 Nakagawa D14/218
 D806,673 S * 1/2018 Mizrahi D14/218
 D811,363 S * 2/2018 He D14/205
 D822,643 S * 7/2018 Chen D14/218
 D824,883 S * 8/2018 Williamson D14/218
 D825,531 S * 8/2018 Nokuo D14/218
 D844,586 S * 4/2019 Sweet D14/205
 D875,692 S * 2/2020 Shi D13/168
 D883,817 S * 5/2020 Gong D10/56
 D887,374 S * 6/2020 Gong D13/168
 D897,987 S * 10/2020 Park D8/360
 D900,789 S * 11/2020 Chen D14/218

OTHER PUBLICATIONS

KXZM, Individually Addressable Dream Color . . . , available at amazon.com, date first available Oct. 27, 2020, site visited May 2, 2022, Available at URL: https://www.amazon.com/dp/B08LZ3RXWW/ref=cm_sw_em_r_mt_dp_035W2PEPNT1ECYAJVZ9S?_encoding=UTF8&psc=1 (Year: 2020).*

The Light Store, Multipurpose LED Lighting Strips . . . , available at amazon.com, date first available Apr. 4, 2019, site visited May 2, 2022, Available at URL: https://www.amazon.com/dp/B013DHLHY4/ref=cm_sw_em_r_mt_dp_0STDY75X4TPREP5HHEFN?_encoding=UTF8&psc=1 (Year: 2019).*

Govee, 16.4ft RGBIC LED Strip Lights . . . , available at amazon.com, date first available Nov. 5, 2018, site visited May 2, 2022, Available at URL: <https://www.amazon.com/Govee-Segmented-Assistant-Christmas-Waterproof/dp/B07HRHLKGK?th=1> (Year: 2018).*

2012Topdeal, 2835/5050 SMD RGB LED Strip Light Bluetooth Controller . . . , available at ebay.com, date first available Oct. 23, 2021, site visited May 2, 2022, Available at URL: https://www.ebay.com/rvh/233655448230?rt=nc&_trksid=p2047675.148144 (Year: 2021).*

* cited by examiner

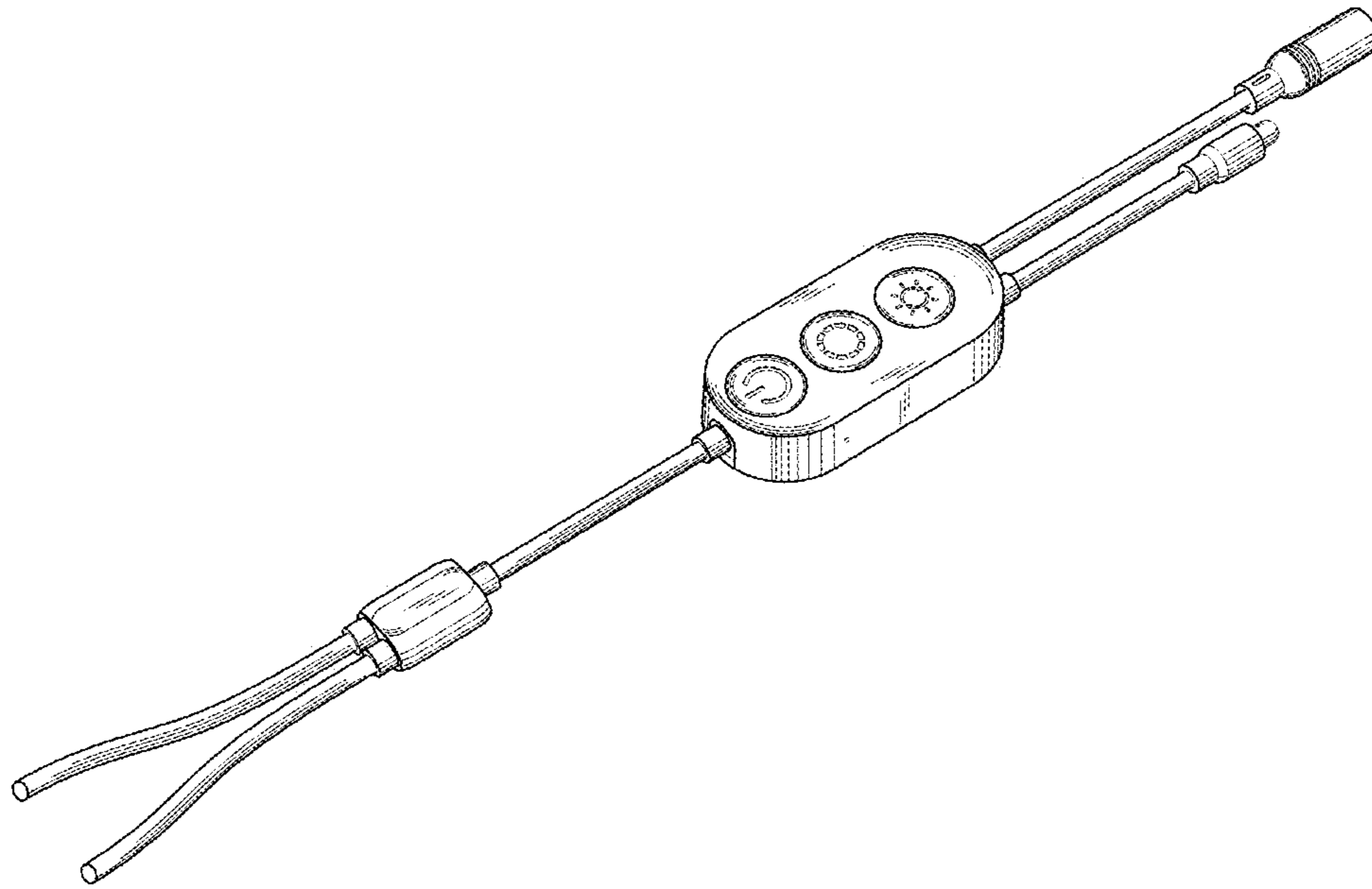


FIG. 1

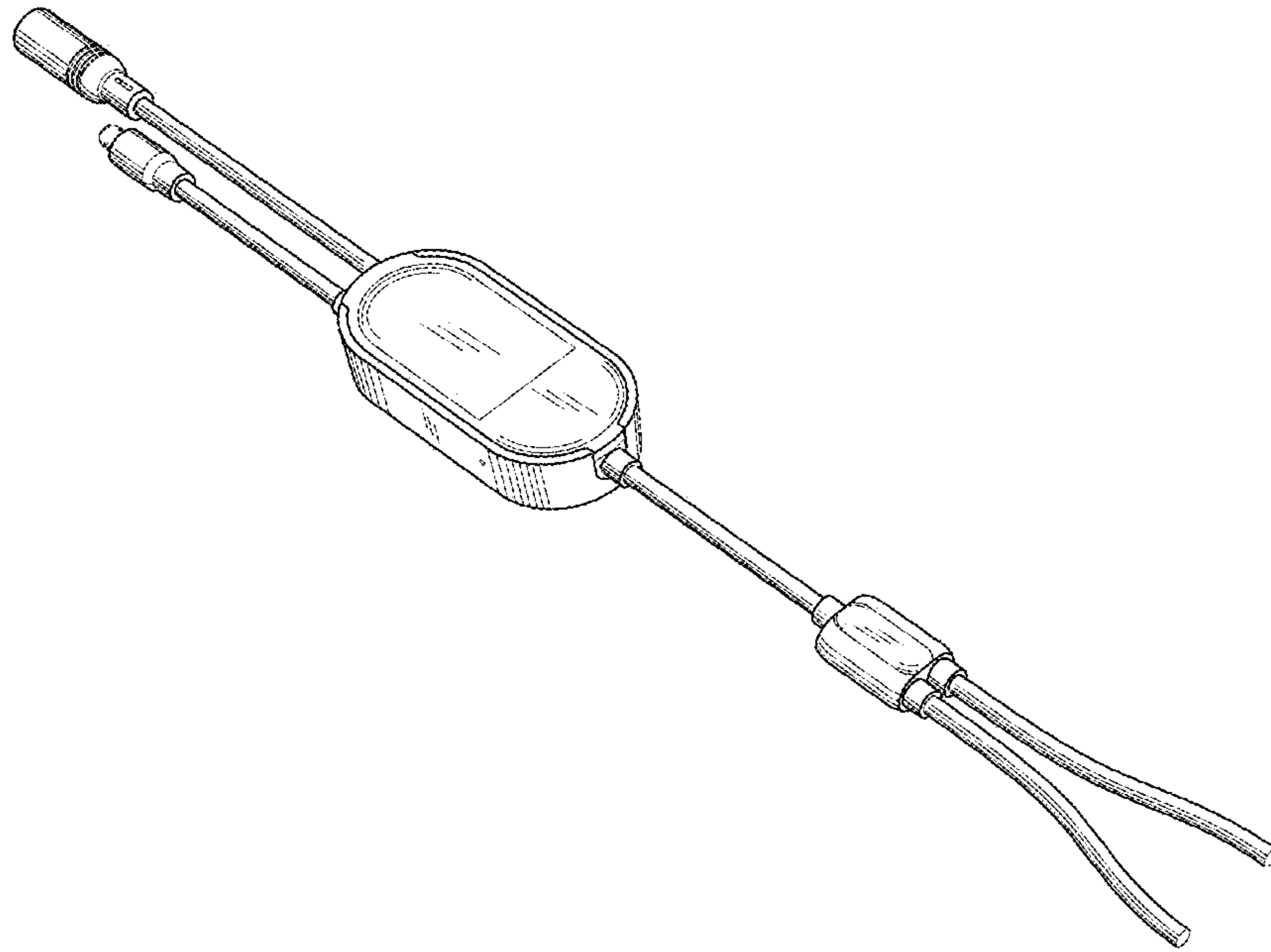


FIG. 2

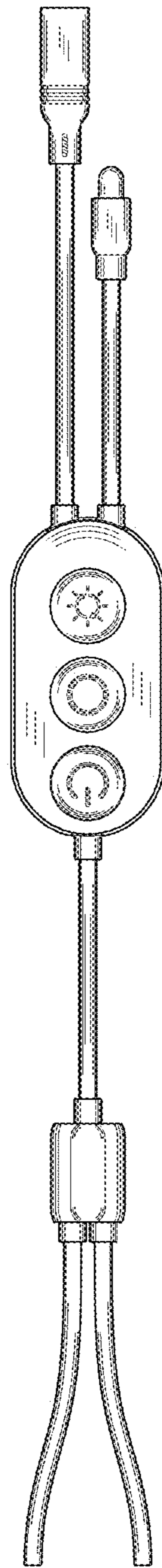


FIG. 3

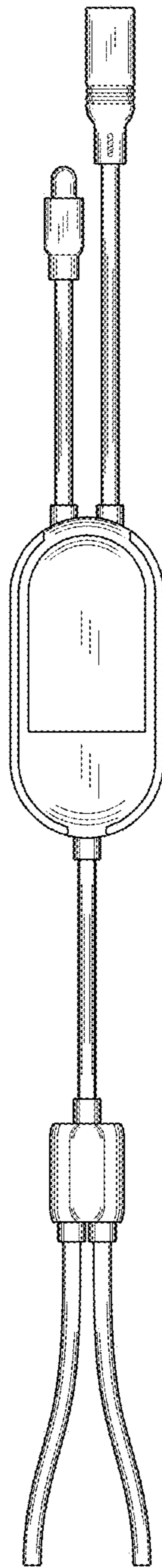


FIG. 4

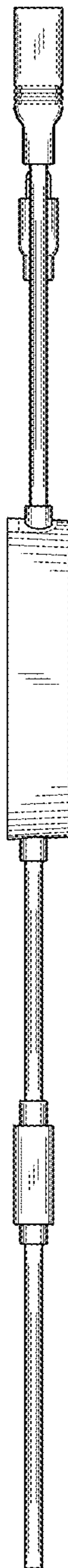


FIG. 5



FIG. 6

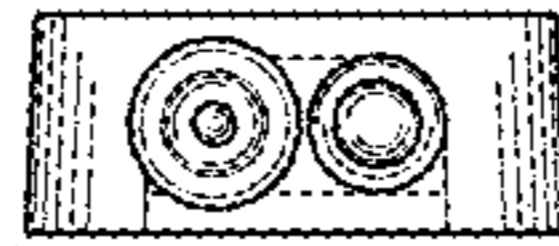


FIG. 7

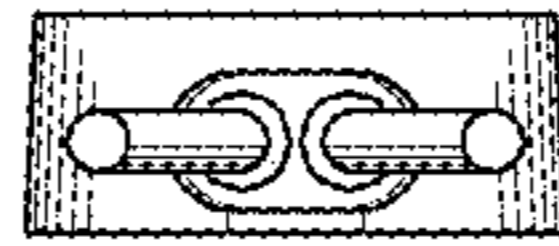


FIG. 8

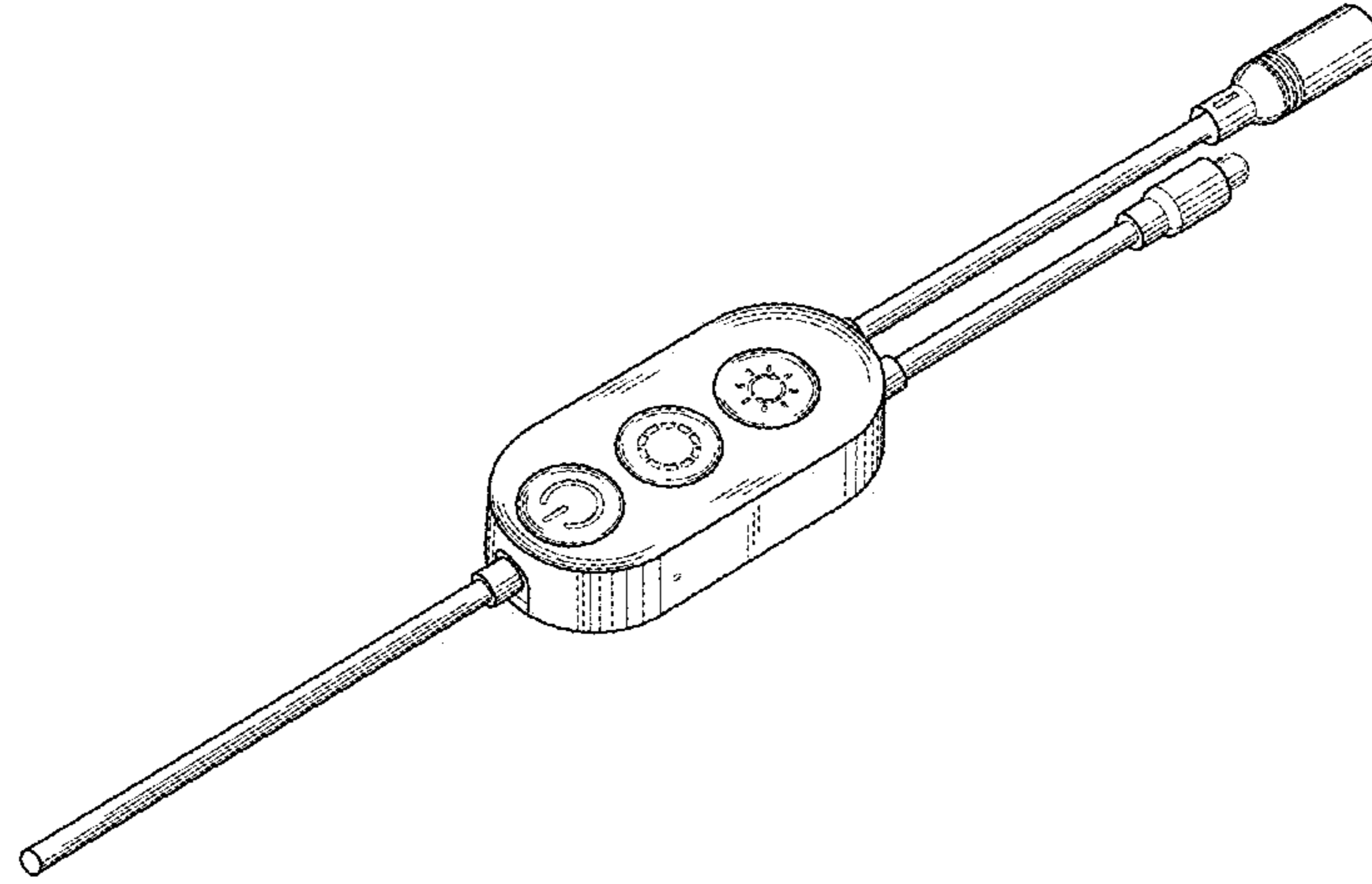


FIG. 9

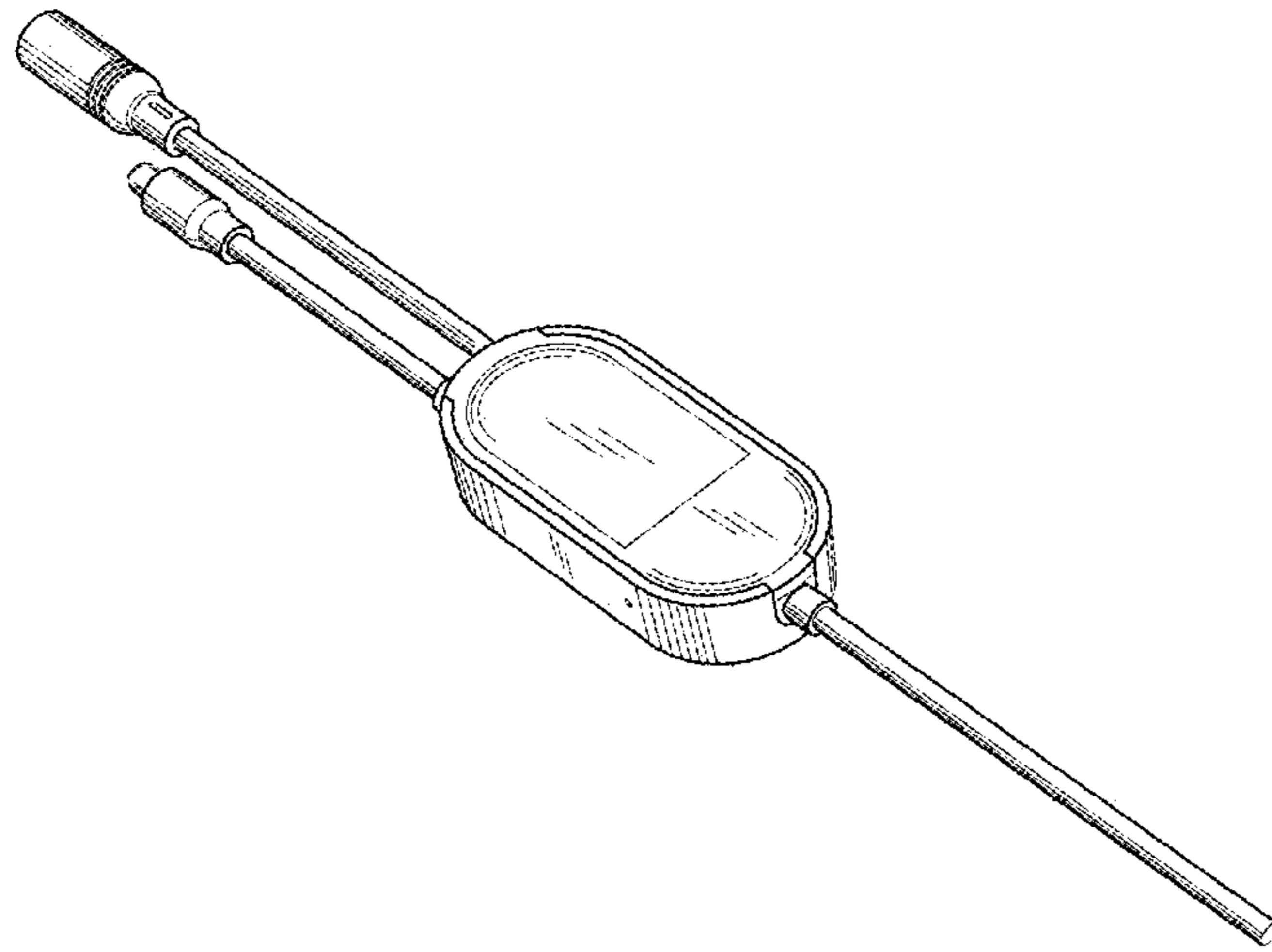


FIG. 10

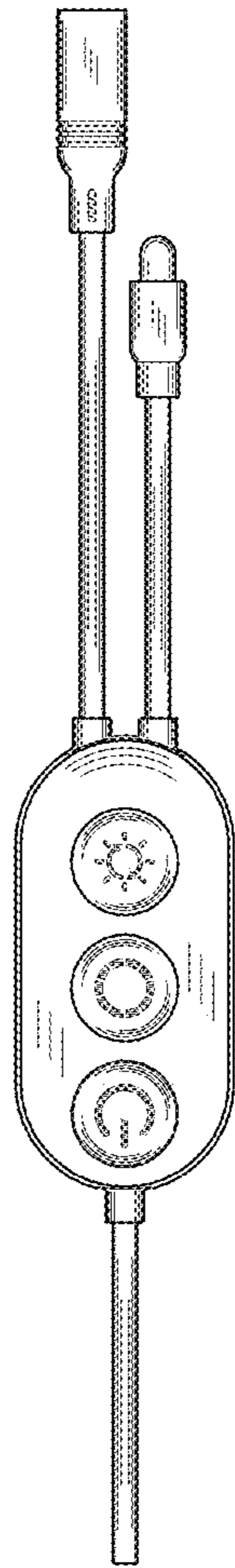


FIG. 11

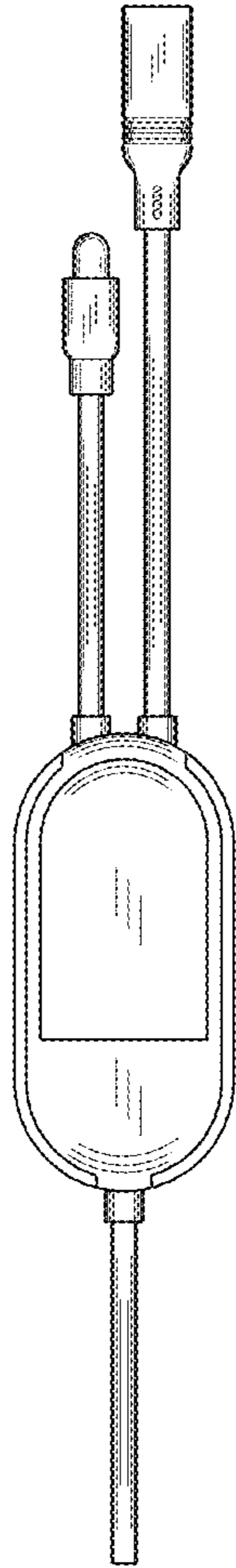


FIG. 12

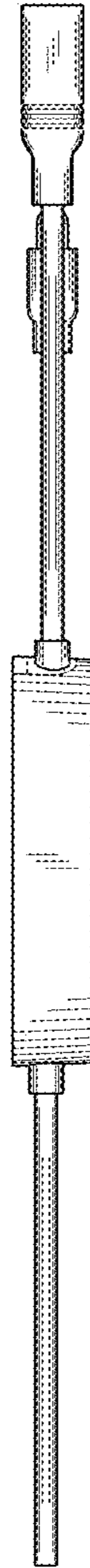


FIG. 13



FIG. 14

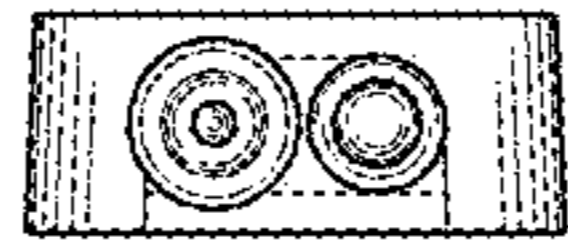


FIG. 15

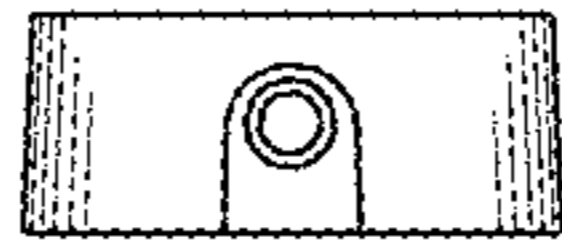


FIG. 16

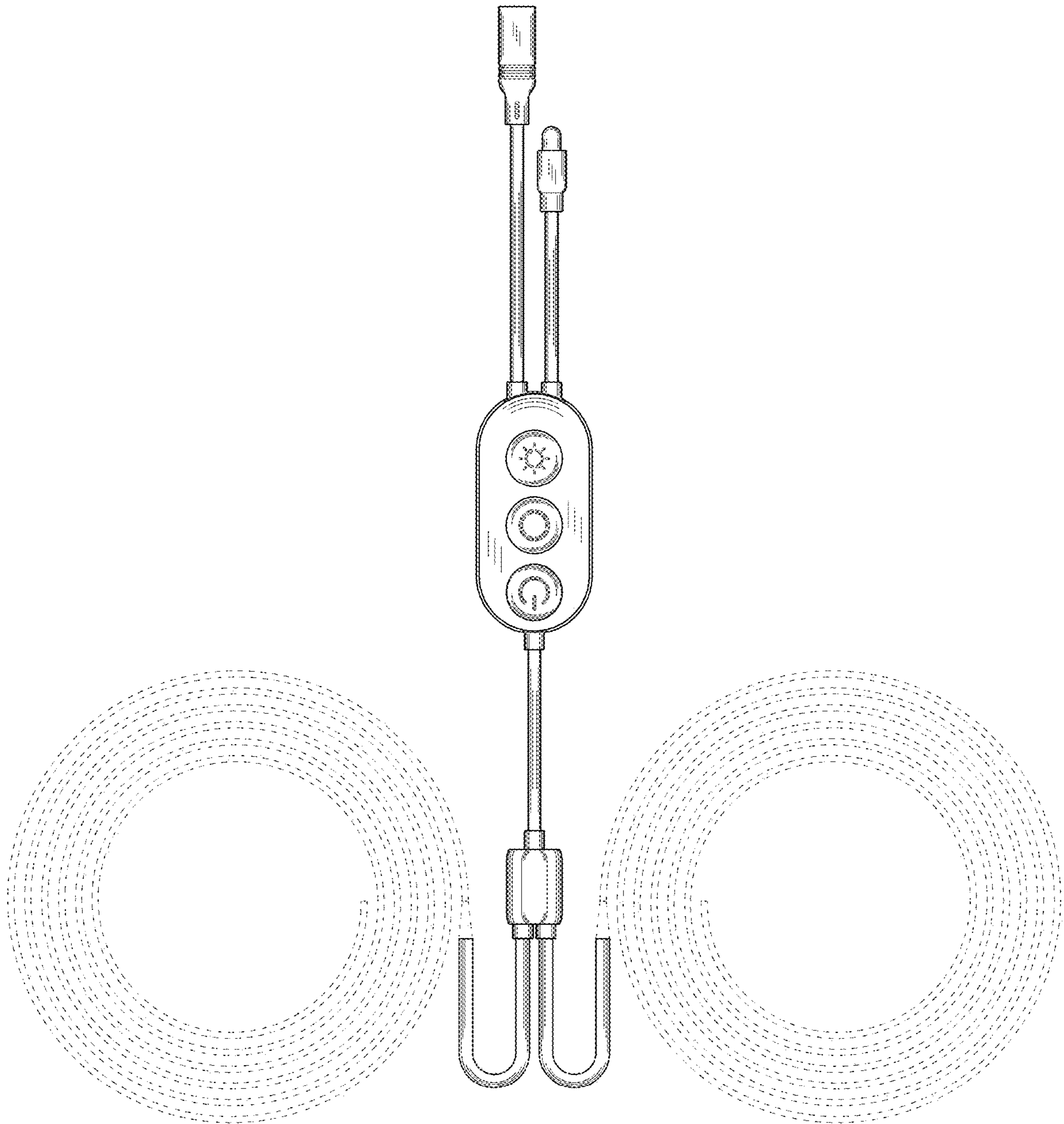


FIG. 17

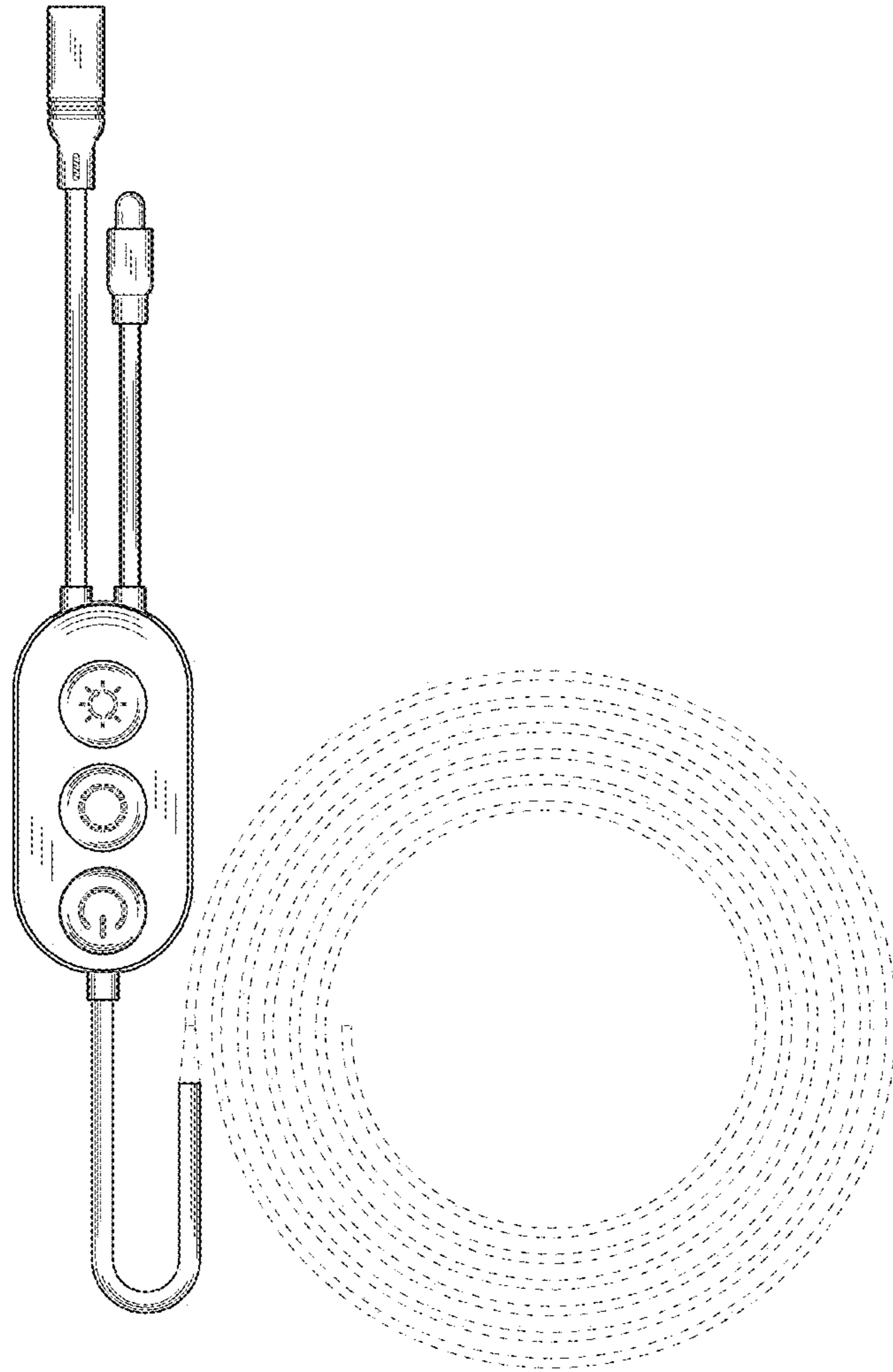


FIG. 18