



US00D957362S

(12) **United States Design Patent**  
**Wu et al.**

(10) **Patent No.:** **US D957,362 S**  
(45) **Date of Patent:** **\*\* Jul. 12, 2022**

(54) **EARPHONE**

FOREIGN PATENT DOCUMENTS

(71) Applicants: **Anhui Huami Information Technology Co., Ltd.**, Anhui FTZ (CN); **Zepp, Inc.**, Cupertino, CA (US)

CA 194212 A 1/2022  
CN 306065263 9/2020

(Continued)

(72) Inventors: **Wei Wu**, Anhui FTZ (CN); **Pengtao Yu**, Cupertino, CA (US)

*Primary Examiner* — Paula Allen Greene

(74) *Attorney, Agent, or Firm* — Young Basile Hanlon & MacFarlane, P.C.

(73) Assignees: **Anhui Huami Information Technology Co., Ltd.**, Anhui FTZ (CN); **Zepp, Inc.**, Cupertino, CA (US)

(57) **CLAIM**

The ornamental design for an earphone, as shown and described.

(\*\*) Term: **15 Years**

(21) Appl. No.: **29/828,901**

**DESCRIPTION**

(22) Filed: **Mar. 1, 2022**

**Related U.S. Application Data**

(62) Division of application No. 29/735,031, filed on May 18, 2020.

FIG. 1 is a top, front, and right perspective view of a first embodiment of the earphone showing our new design. FIG. 2 is a bottom, rear, and left perspective view of the earphone of FIG. 1. FIG. 3 is a front view of the earphone of FIG. 1. FIG. 4 is a rear view of the earphone of FIG. 1. FIG. 5 is a left side view of the earphone of FIG. 1. FIG. 6 is a right side view of the earphone of FIG. 1. FIG. 7 is a top view of the earphone of FIG. 1. FIG. 8 is a bottom view of the earphone of FIG. 1. FIG. 9 is a top, front, and right perspective view of a second embodiment of the earphone. FIG. 10 is a bottom, rear, and left perspective view of the earphone of FIG. 9. FIG. 11 is a front view of the earphone of FIG. 9. FIG. 12 is a rear view of the earphone of FIG. 9. FIG. 13 is a left side view of the earphone of FIG. 9. FIG. 14 is a right side view of the earphone of FIG. 9. FIG. 15 is a top view of the earphone of FIG. 9; and, FIG. 16 is a bottom view of the earphone of FIG. 9. The design includes ornamental features of an earphone as shown and described. The earphone can be attached to an ear hook.

**Foreign Application Priority Data**

Nov. 20, 2019 (CN) ..... 201930639986.0

(51) **LOC (13) Cl.** ..... **14-01**

(52) **U.S. Cl.**  
USPC ..... **D14/206; D14/223**

(58) **Field of Classification Search**  
USPC ..... D14/206, 223, 205, 428; D24/174, 106; 128/864-866; 381/380-381; 455/90.3, 455/575.1, 569.1; 250/568

(Continued)

(56) **References Cited**

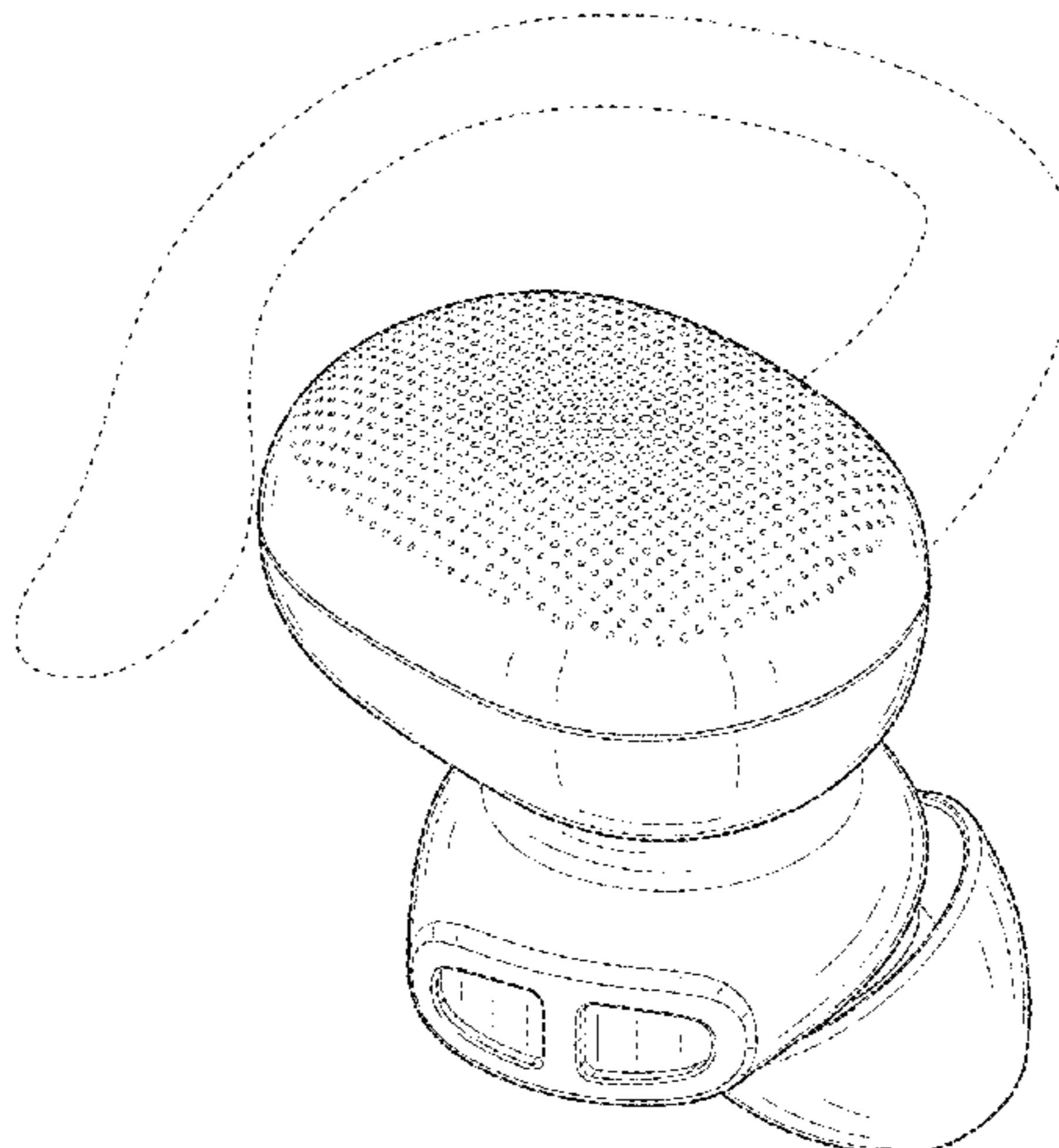
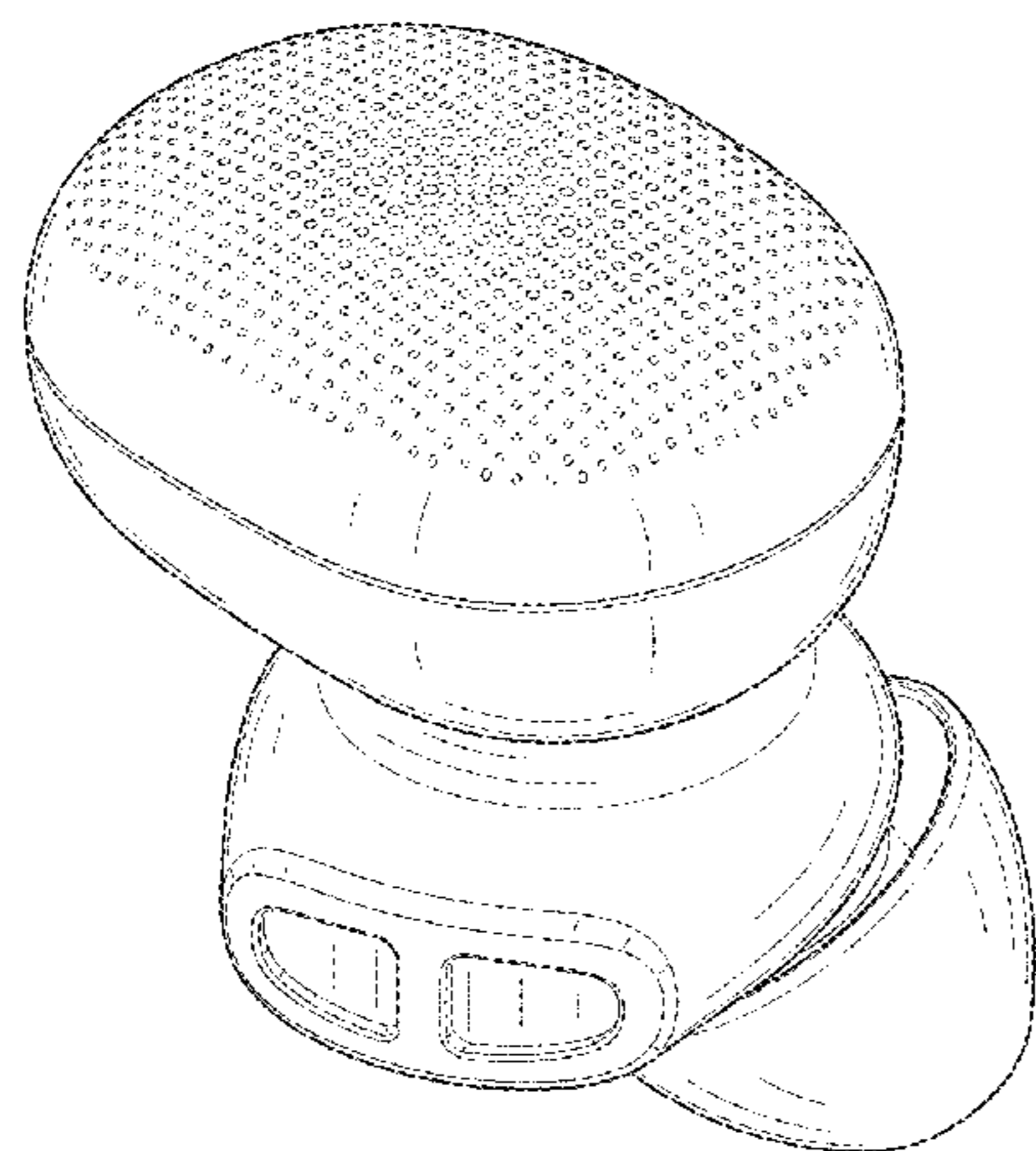
**U.S. PATENT DOCUMENTS**

D274,814 S \* 7/1984 Tang ..... D14/192  
4,977,975 A 12/1990 Lazzeroni et al.

(Continued)

The ornamental design which is claimed is shown in solid lines in the drawings. The broken line showing in FIGS. 1-16 illustrates the environment, which forms no part of the

(Continued)



claimed design. The shade lines in the figures show contour, not surface ornamentation and form no part of the claimed design.

**1 Claim, 8 Drawing Sheets**

**(58) Field of Classification Search**

CPC ..... H04R 25/00; H04R 25/02; H04R 3/00;  
H04R 1/10; H04R 1/08; A61B 5/024;  
A61B 5/00

See application file for complete search history.

**(56) References Cited**

**U.S. PATENT DOCUMENTS**

D352,937 S *	11/1994	Karlin .....	D14/428
6,704,429 B2 *	3/2004	Lin .....	H04R 1/1016 379/430
D488,461 S	4/2004	Okada et al.	
D508,479 S	8/2005	Okada	
D508,911 S	8/2005	Sanders	
D531,169 S	10/2006	Tokioka et al.	
D542,282 S	5/2007	Yoshiyama	
7,231,056 B2	6/2007	Chen	
7,289,640 B2 *	10/2007	Tsai .....	H04M 1/05 379/430
D601,126 S	9/2009	Christopher et al.	
D617,778 S	6/2010	Birger	
D625,709 S *	10/2010	Yamamoto .....	D14/223
D632,282 S *	2/2011	Kitayama .....	D14/223
D642,163 S	7/2011	Lee et al.	
D647,081 S	10/2011	Kwon	
D652,823 S *	1/2012	Chen .....	H04R 1/1016 D14/223
8,265,328 B2	9/2012	Milde et al.	
D668,637 S *	10/2012	Kitayama .....	D14/223
D686,197 S *	7/2013	Kurtz .....	D14/223
D695,275 S	12/2013	Chee	
D710,333 S	8/2014	Davies et al.	
D711,858 S *	8/2014	Yang .....	D14/223
D714,260 S *	9/2014	Han .....	D14/223
D719,548 S	12/2014	Thompson et al.	
D725,082 S	3/2015	Palmborg et al.	
D733,102 S	6/2015	Palmborg et al.	
9,148,714 B2	9/2015	Zhao	
D747,295 S *	1/2016	Eastwood .....	D14/223
D773,438 S	12/2016	Walker et al.	
D777,710 S	1/2017	Palmborg et al.	
D786,834 S *	5/2017	Samrelius .....	D14/223
D795,225 S	8/2017	Sumii	

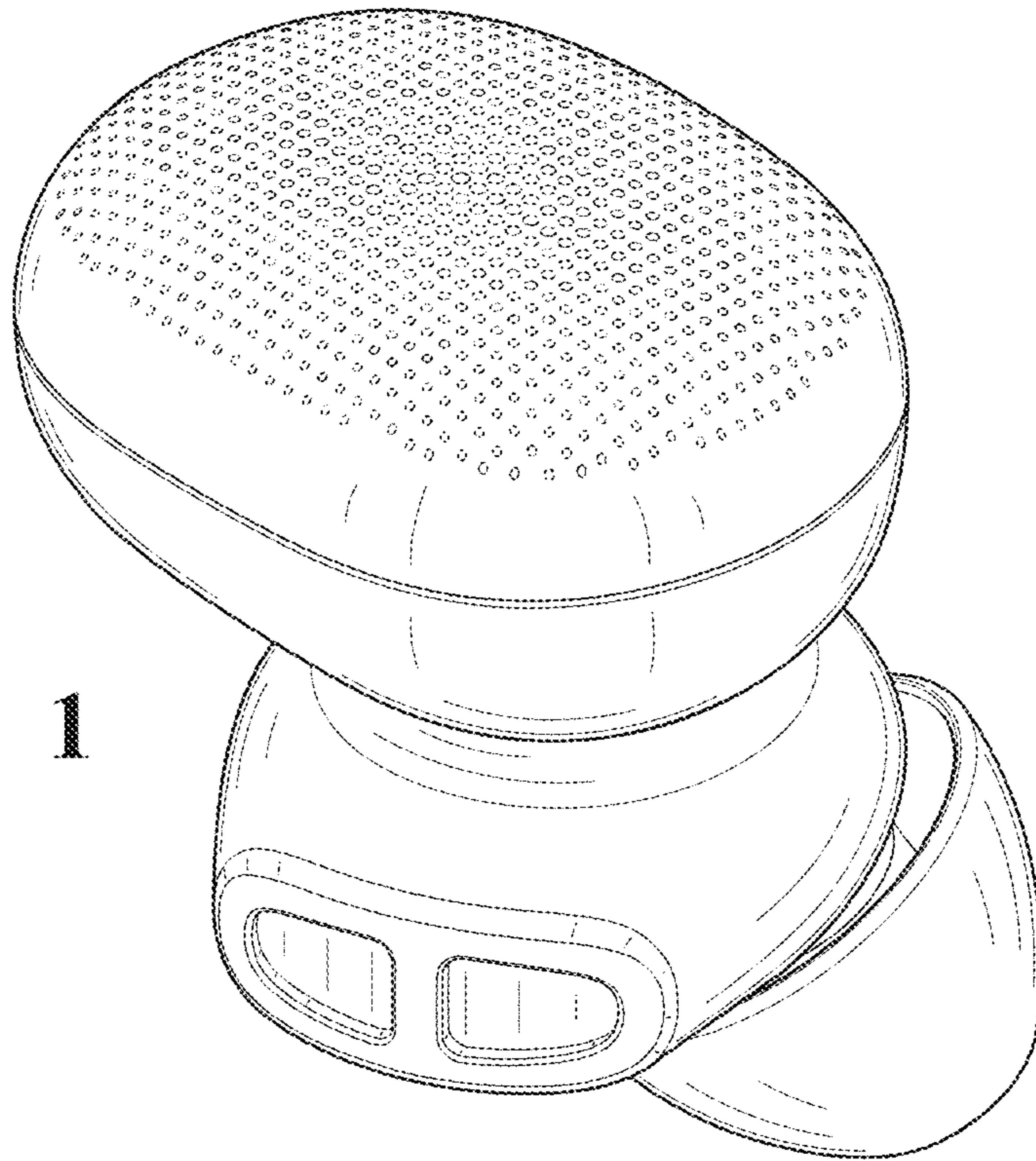
D809,486 S	2/2018	Arimoto	
D809,487 S	2/2018	Lee et al.	
D810,047 S *	2/2018	Tzeng .....	D14/223
D813,205 S *	3/2018	Palmborg .....	D14/223
D816,637 S	5/2018	Hardi	
D818,990 S *	5/2018	Tzeng .....	D14/223
D832,825 S *	11/2018	Samrelius .....	D14/223
D850,408 S	6/2019	Kawabata	
D862,424 S	10/2019	You	
D864,166 S *	10/2019	You .....	D14/223
D870,711 S *	12/2019	Karayianis .....	D14/223
D876,398 S	2/2020	Cai	
D895,578 S *	9/2020	Yang .....	D14/223
D896,204 S	9/2020	Brunner et al.	
D900,064 S	10/2020	Laffon de Mazieres et al.	
D902,186 S *	11/2020	Sun .....	D14/223
D902,890 S *	11/2020	Williamson .....	D14/223
10,827,249 B1	11/2020	Pine et al.	
10,880,632 B1	12/2020	Boyd et al.	
D909,336 S	2/2021	Adams et al.	
D922,984 S	6/2021	Li et al.	
D926,732 S	8/2021	Ai et al.	
D930,615 S	9/2021	Tanaka	
D930,616 S	9/2021	Schoeck et al.	
D930,617 S	9/2021	Tanaka	
D936,034 S	11/2021	Yoshida et al.	
D939,479 S	12/2021	Wang et al.	
D941,275 S	1/2022	Liu et al.	
D942,423 S	2/2022	Reimann et al.	
11,240,587 B1	2/2022	DeMaio	
2002/0080989 A1	6/2002	Chi-Lin	
2008/0152183 A1	6/2008	Janik et al.	
2009/0285434 A1	11/2009	Williams et al.	
2012/0134525 A1	5/2012	Chai et al.	
2013/0216087 A1	8/2013	MacDonald	
2016/0249133 A1	8/2016	Sorensen	
2018/0096770 A1 *	4/2018	Danielson .....	H04R 1/105
2022/0007102 A1	1/2022	Guo et al.	

**FOREIGN PATENT DOCUMENTS**

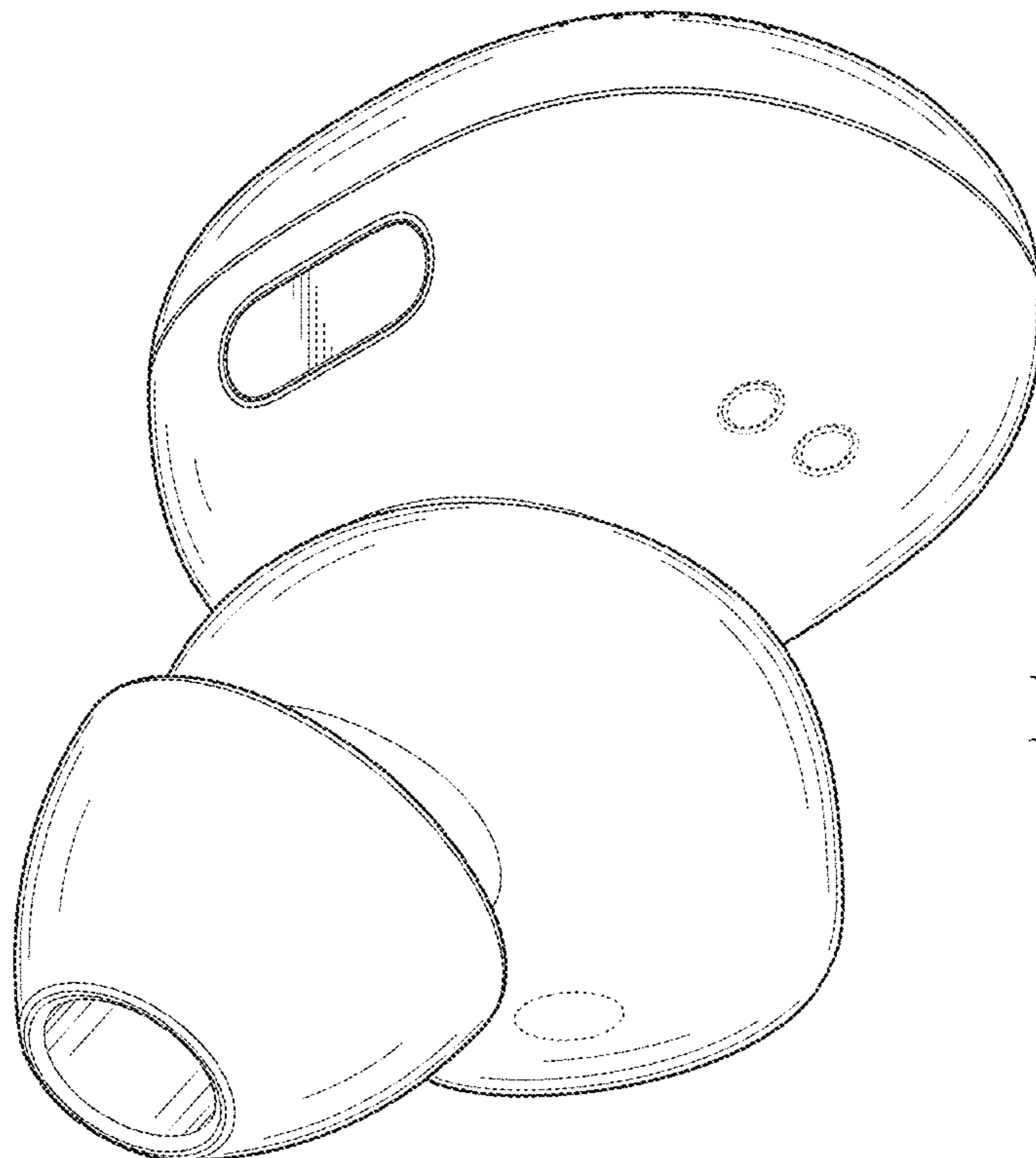
CN	306105540	*	10/2020
CN	306350424		2/2021
EM	006792263		8/2019
EM	007955216		5/2020
EM	008025118		6/2020
GB	9007955216-0001	*	5/2020
ID	00202102813		1/2022
JP	1621397 S		1/2019
JP	1621398 S		1/2019
JP	D1670173	*	9/2020
KR	300906843 S		5/2017

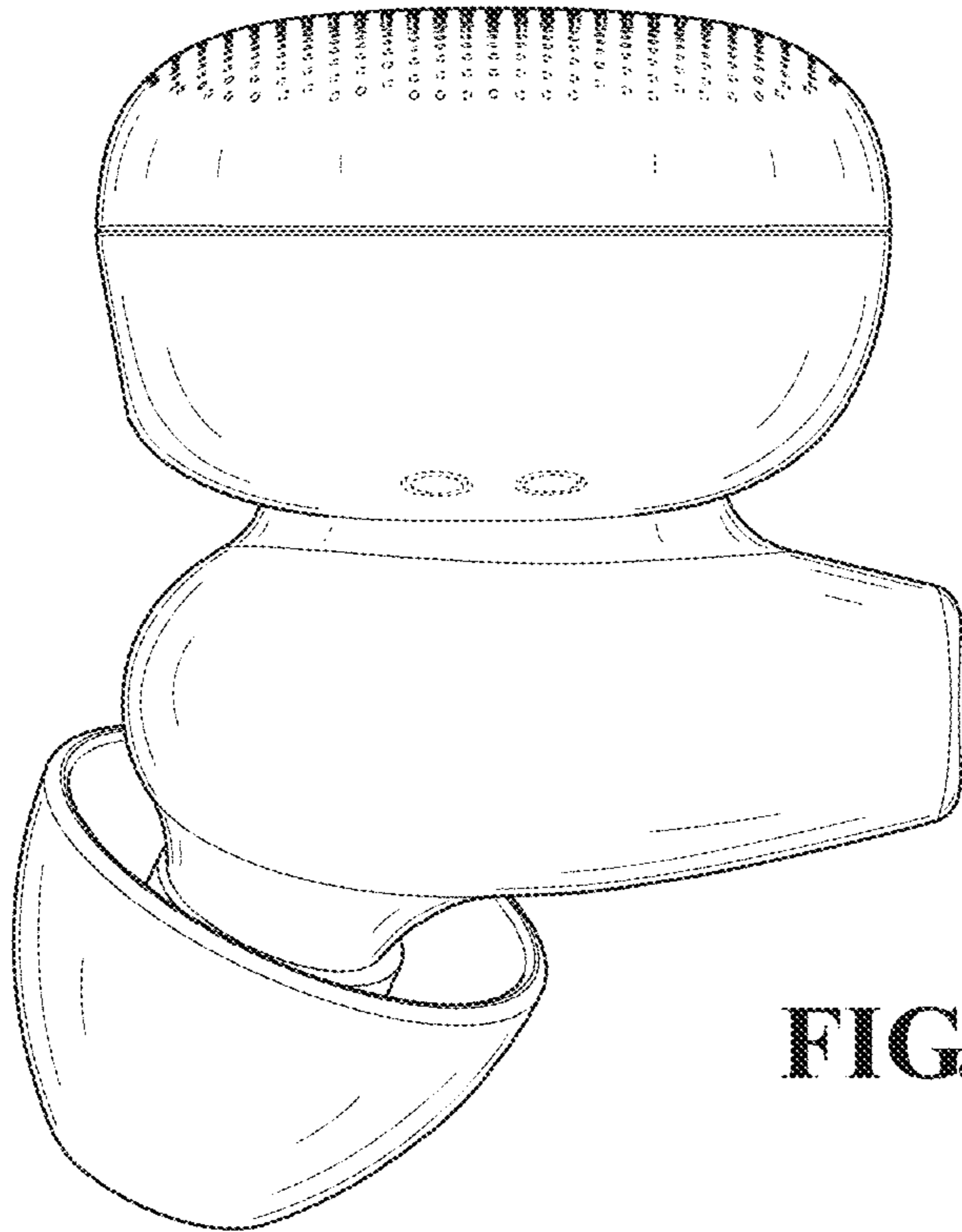
\* cited by examiner

**FIG. 1**

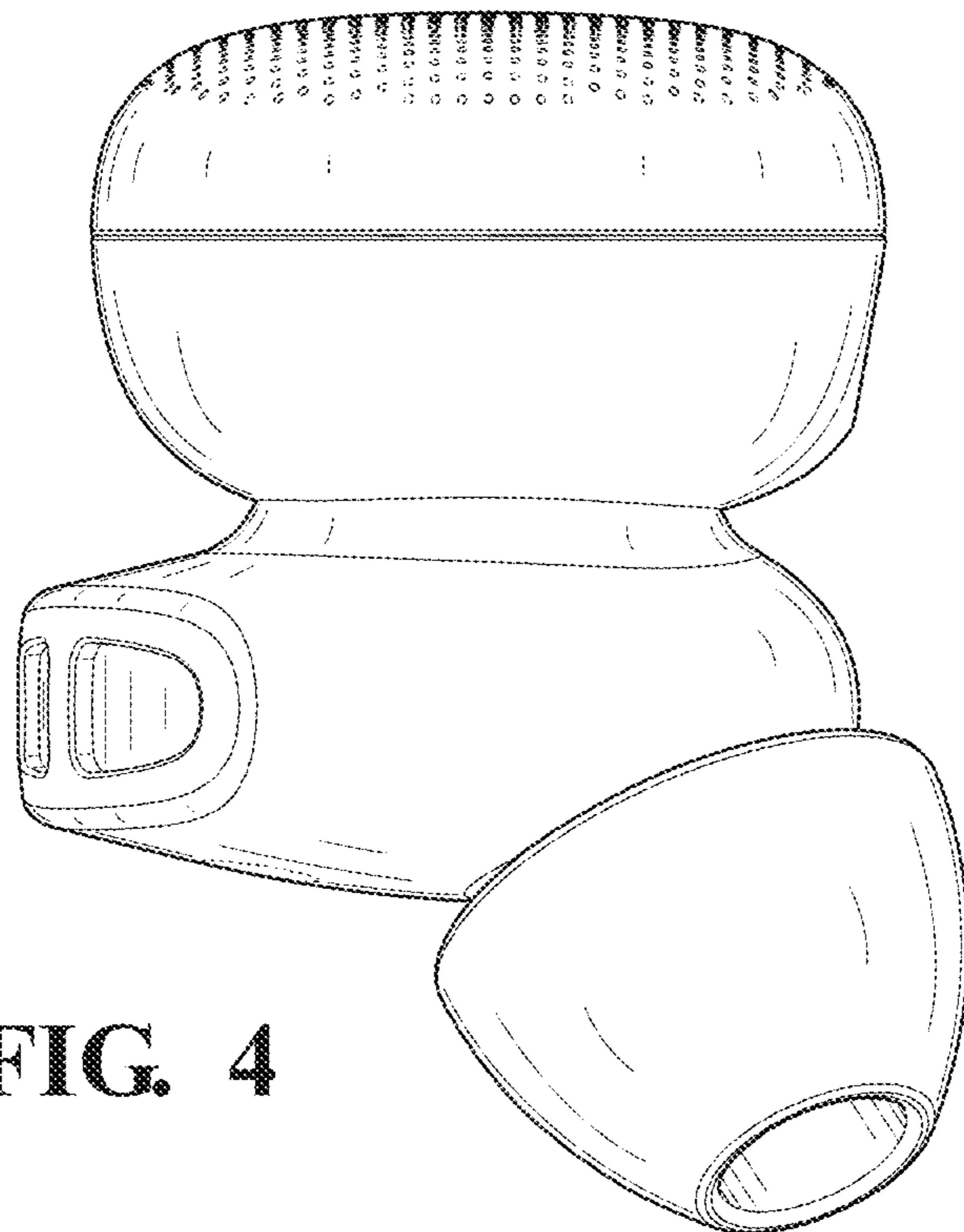


**FIG. 2**

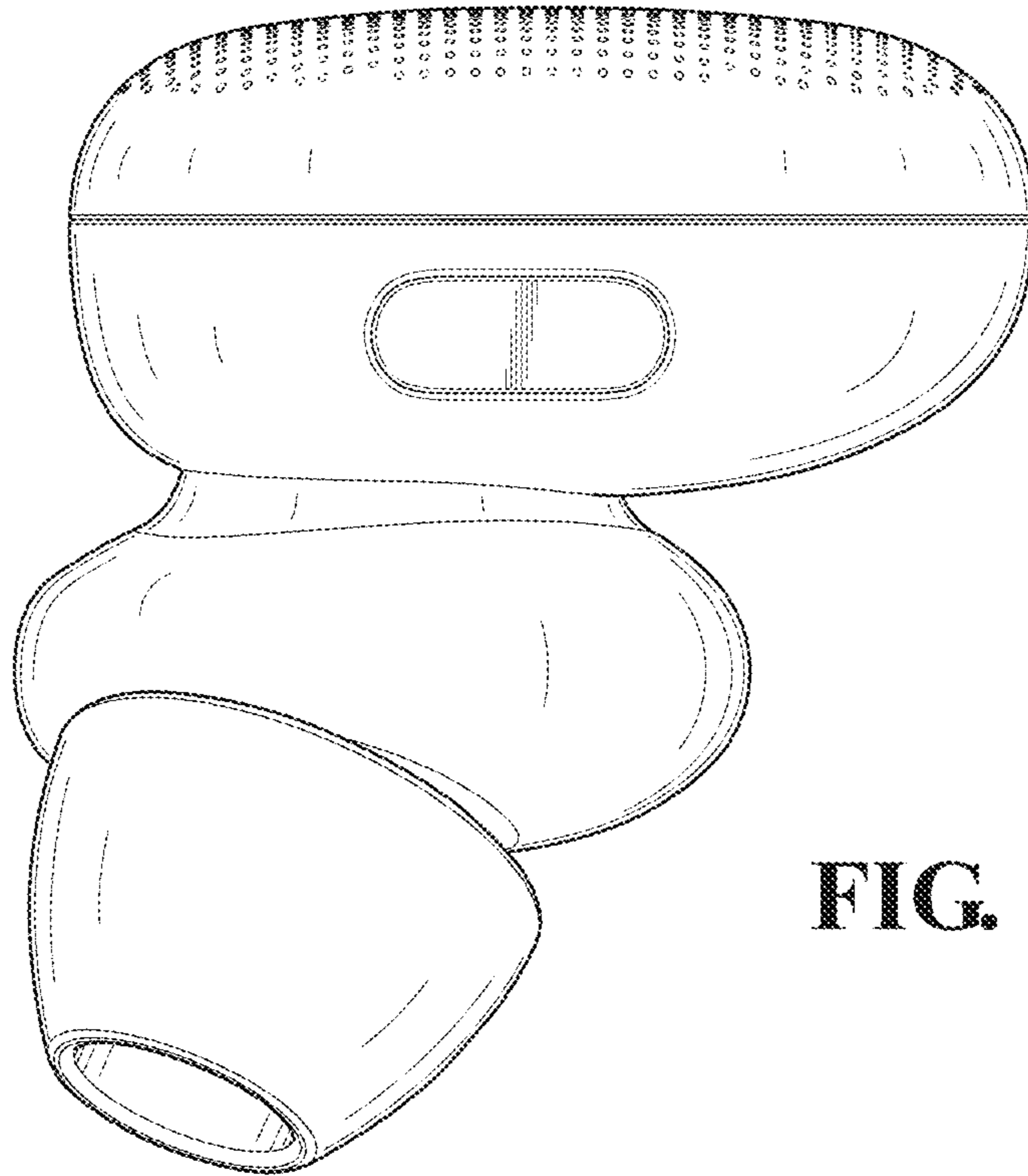




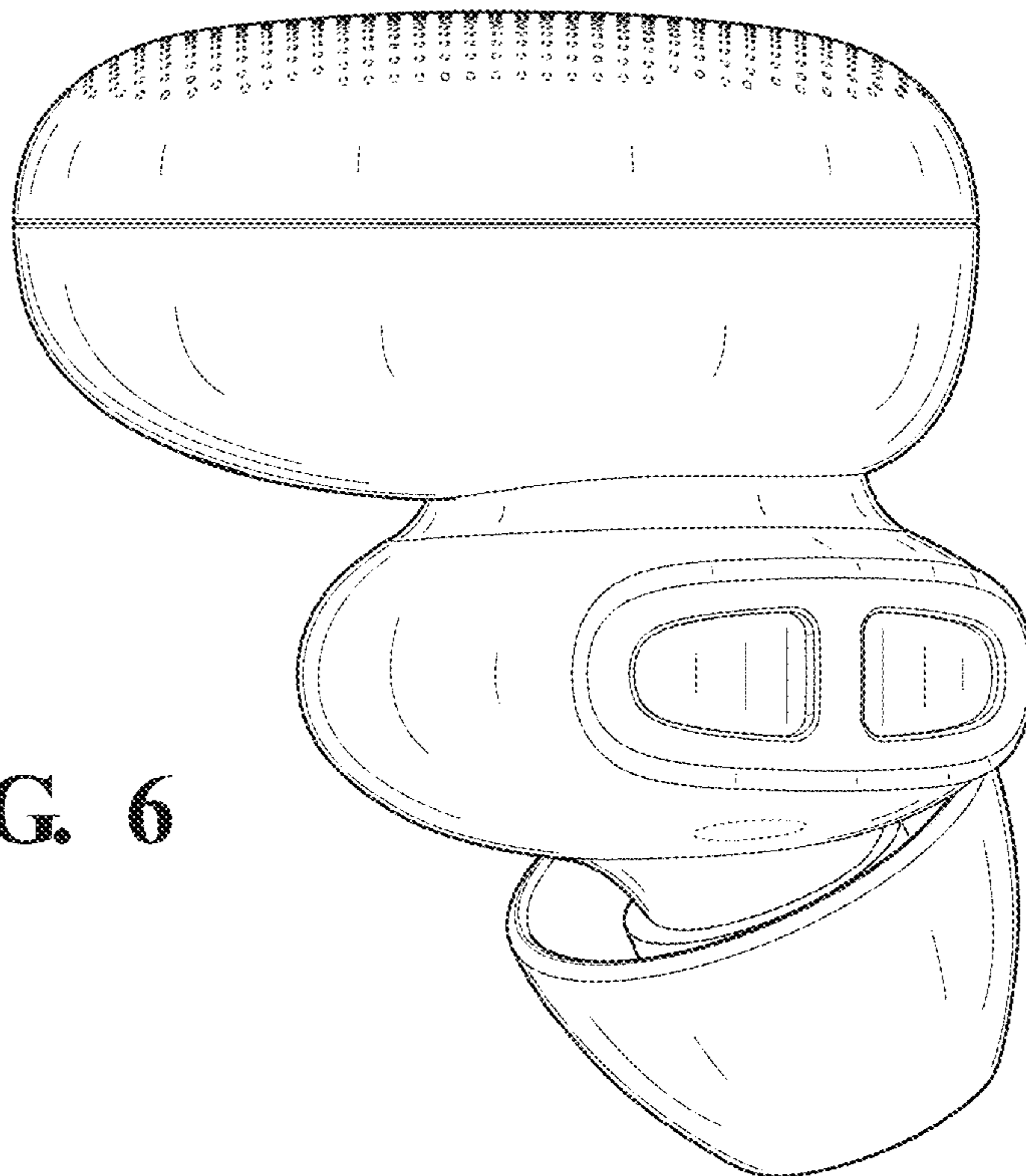
**FIG. 3**



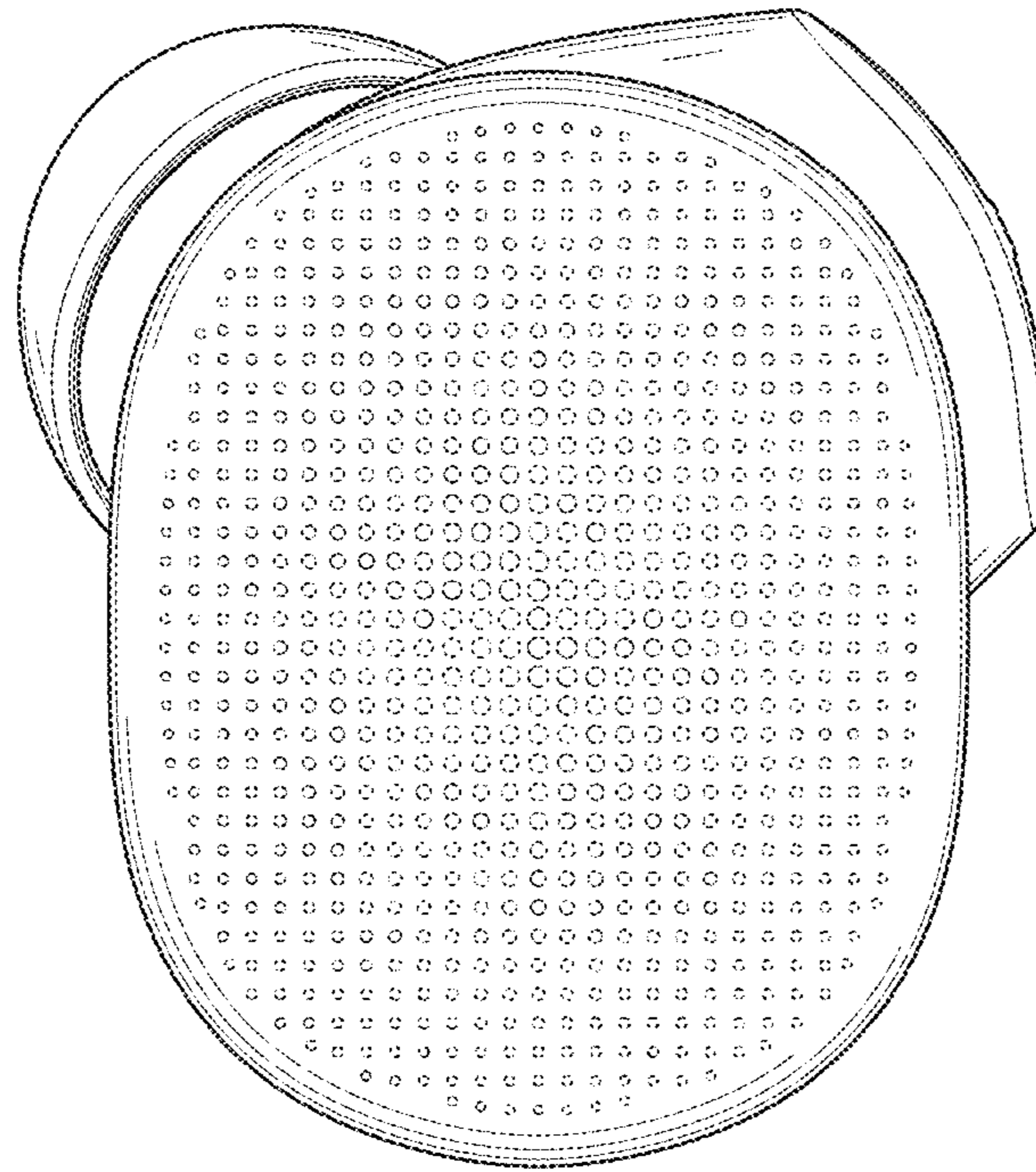
**FIG. 4**



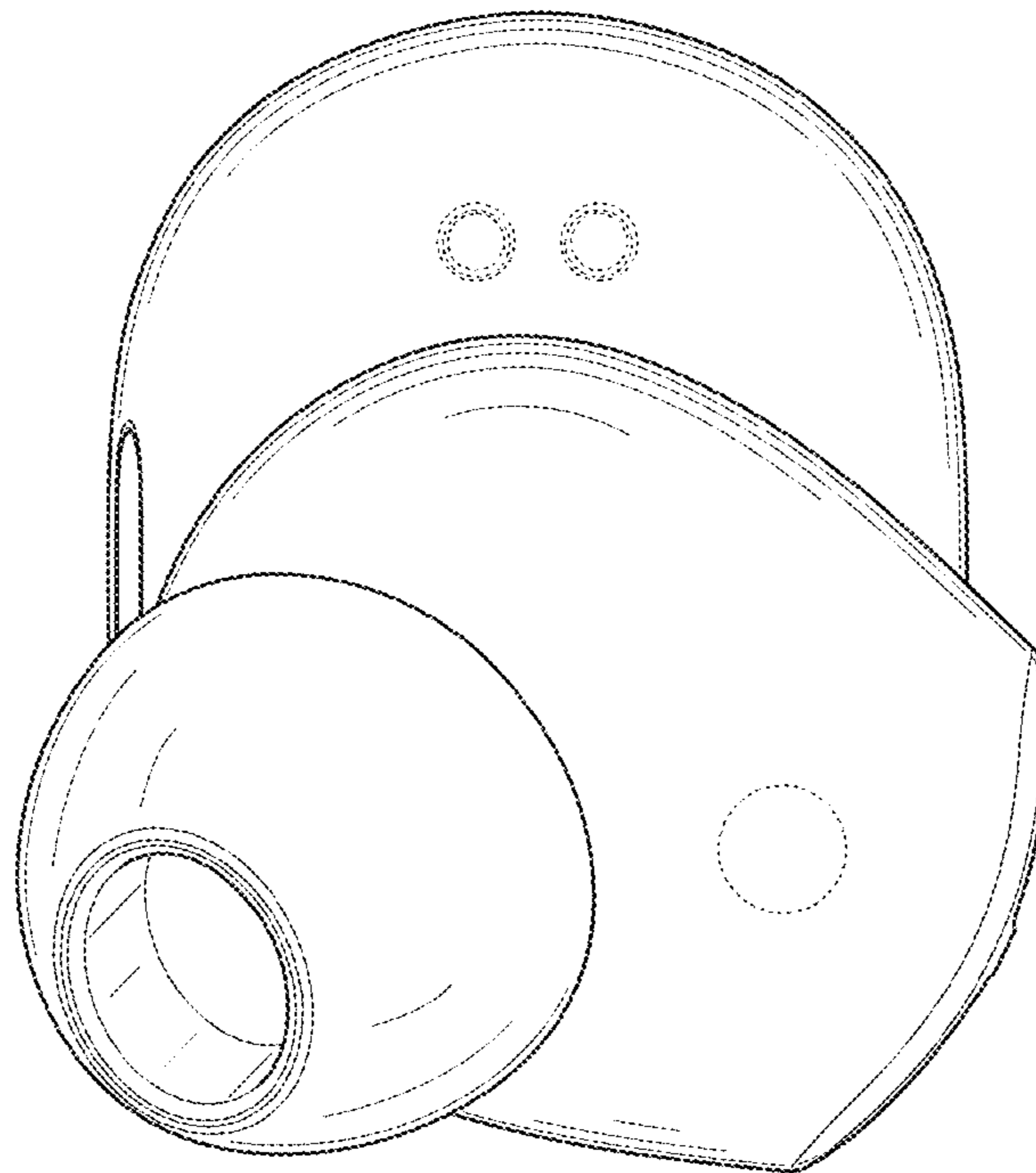
**FIG. 5**



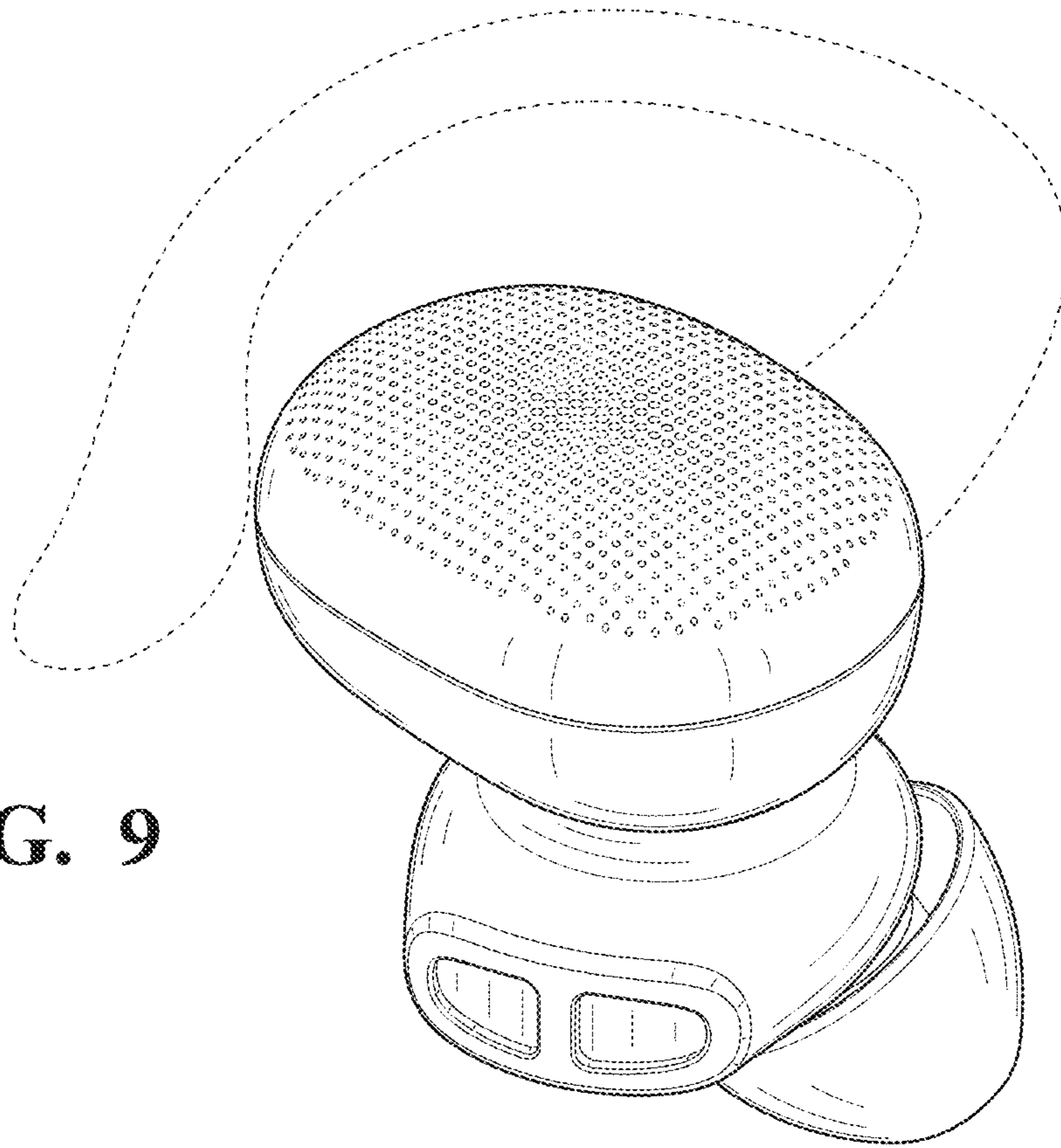
**FIG. 6**



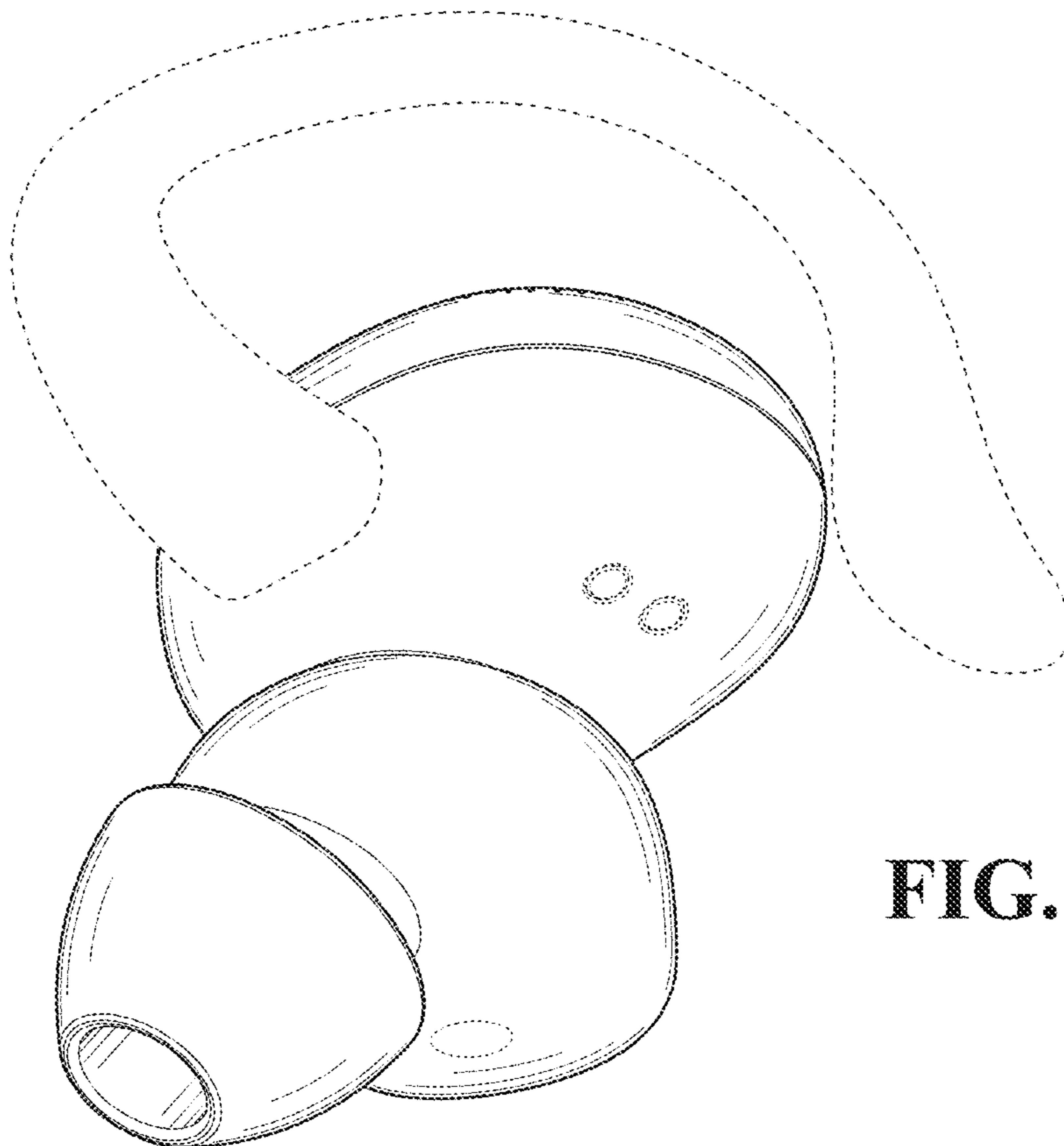
**FIG. 7**



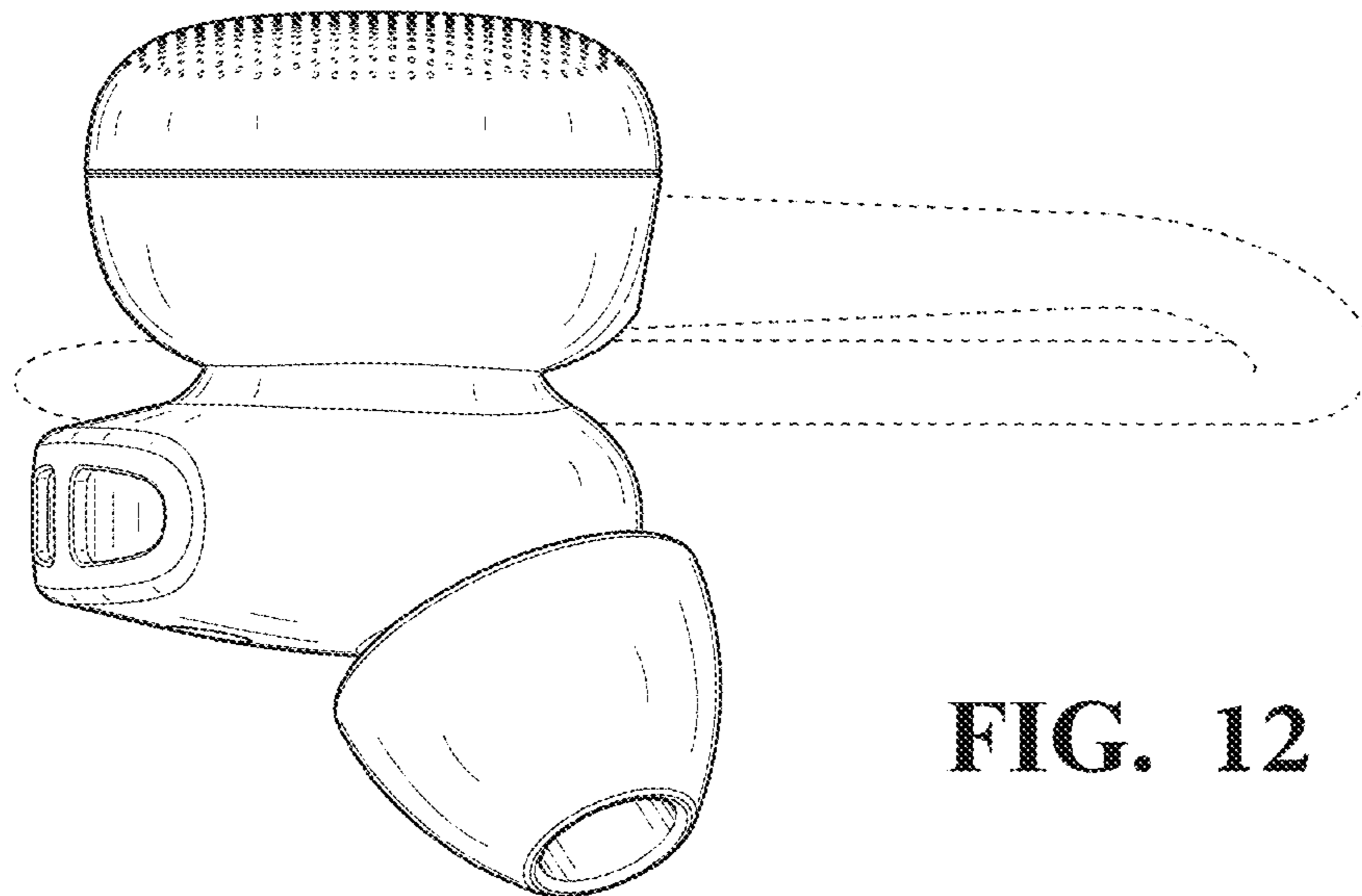
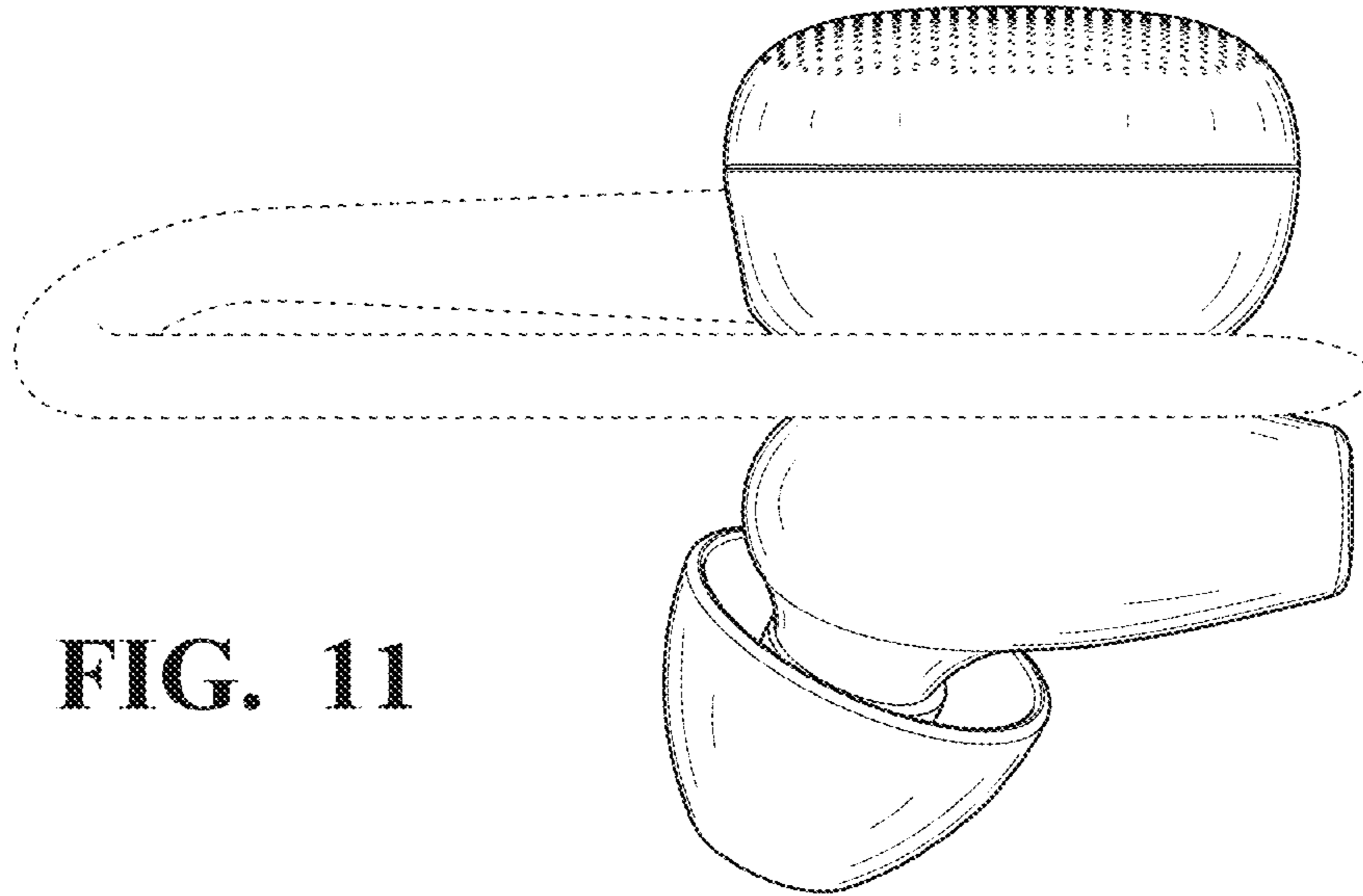
**FIG. 8**



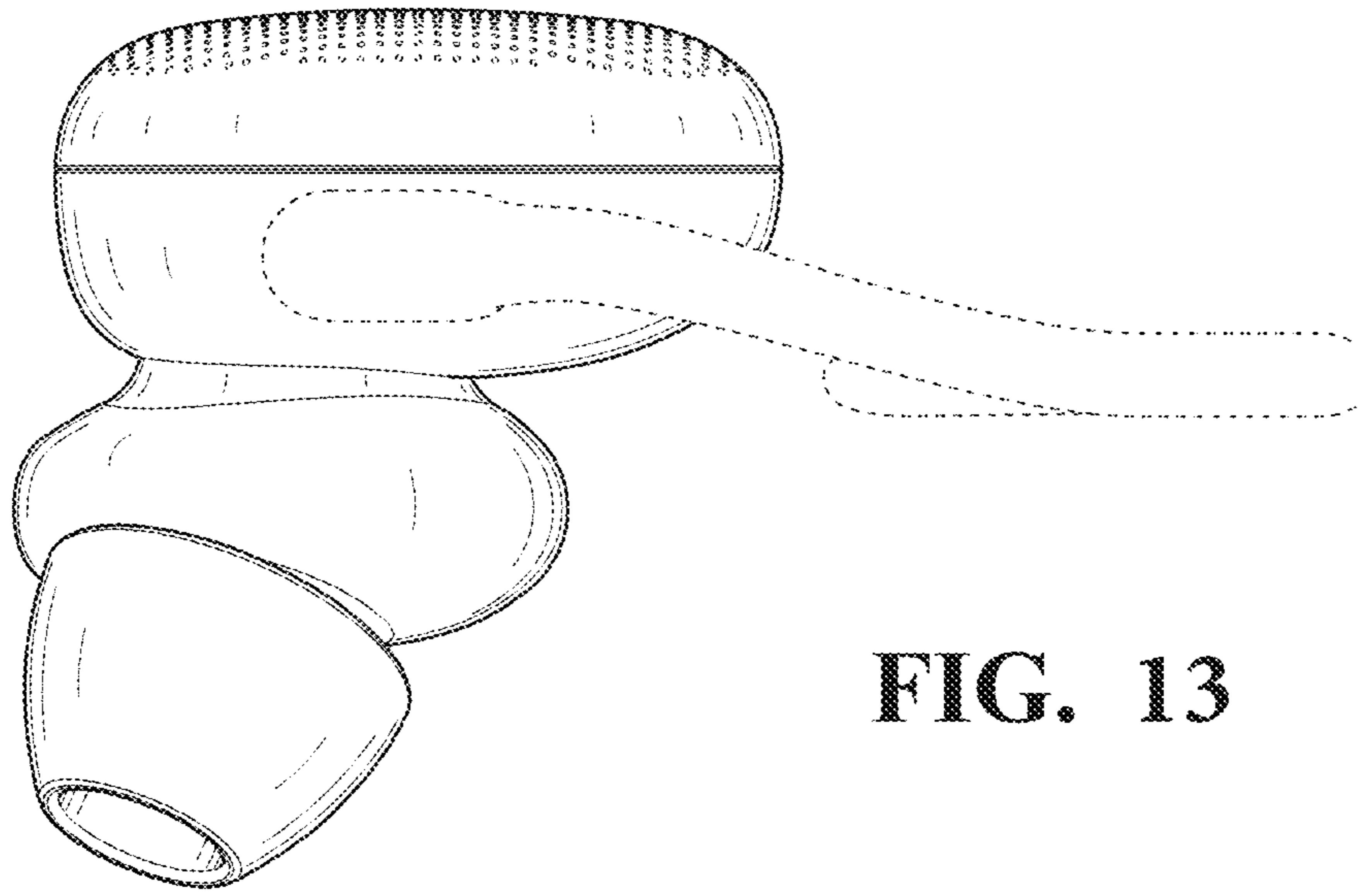
**FIG. 9**



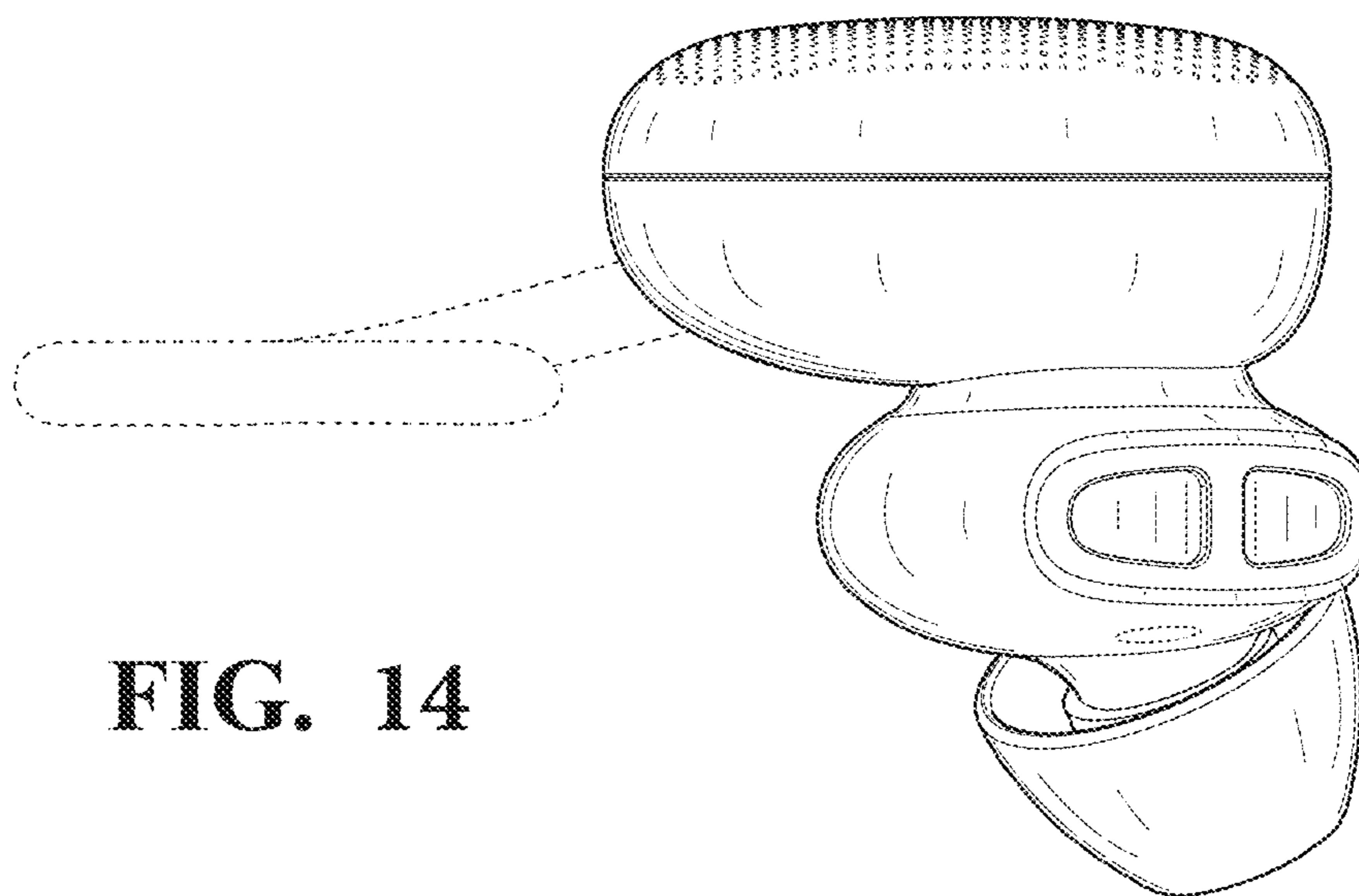
**FIG. 10**





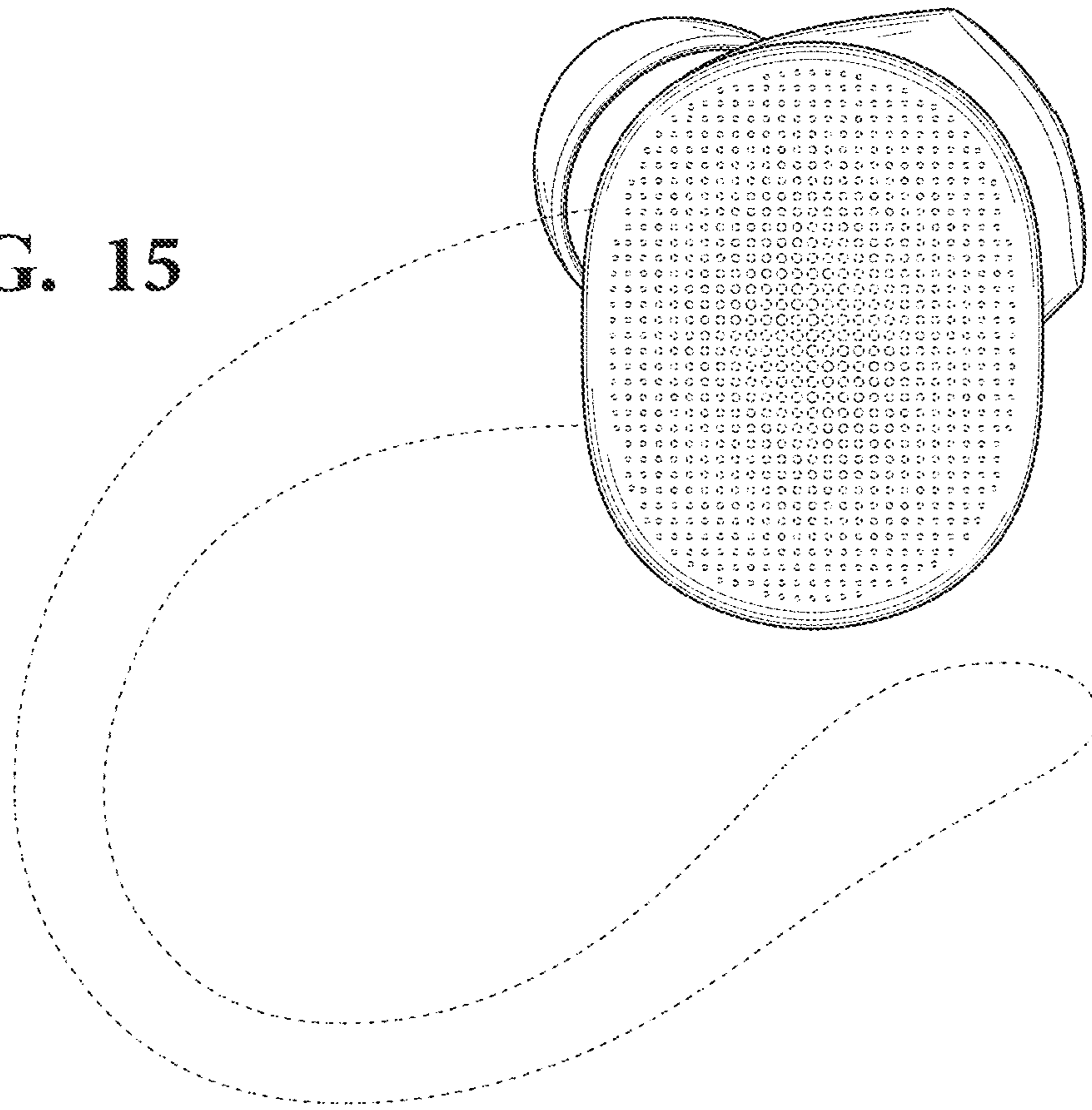


**FIG. 13**



**FIG. 14**

**FIG. 15**



**FIG. 16**

