



US00D957360S

(12) **United States Design Patent**  
**Lalvani**

(10) **Patent No.:** **US D957,360 S**  
(45) **Date of Patent:** **\*\* Jul. 12, 2022**

(54) **EARPHONES**

FOREIGN PATENT DOCUMENTS

(71) Applicant: **Binatone Electronics International Ltd.**, Hong Kong (CN)

CN 204795530 U 11/2015  
CN 105263079 A 1/2016

(Continued)

(72) Inventor: **Dino Lalvani**, Hong Kong (CN)

OTHER PUBLICATIONS

(73) Assignee: **BINATONE ELECTRONICS INTERNATIONAL LTD.**, Kowloon (HK)

Search Report for corresponding GB1905110.1, dated Jun. 12, 2019, 4 pages.

(Continued)

(\*\*) Term: **15 Years**

*Primary Examiner* — Paula Allen Greene

(21) Appl. No.: **29/706,123**

(74) *Attorney, Agent, or Firm* — Patterson Intellectual Property Law, PC; Alex H. Huffstutter; Emily A. Shouse

(22) Filed: **Sep. 18, 2019**

(30) **Foreign Application Priority Data**

(57) **CLAIM**

Mar. 18, 2019 (EM) ..... 006315198  
Sep. 6, 2019 (EM) ..... 006840617

What is claimed is the ornamental design for earphones, as shown and described.

(51) **LOC (13) Cl.** ..... **14-01**

(52) **U.S. Cl.**  
USPC ..... **D14/205**

**DESCRIPTION**

(58) **Field of Classification Search**  
USPC ..... D14/205, 223; 381/370, 375, 384;  
D13/147, 154; 455/90.3, 575.1, 569.1  
CPC ..... H04R 1/10; H04R 25/00; H04R 1/1033;  
H04R 5/033; H04R 5/0335; H04R  
1/1066; H04R 1/1016  
See application file for complete search history.

FIG. 1 is a front elevational view showing the new design; FIG. 2 is a top plan view thereof; FIG. 3 is a bottom plan thereof; FIG. 4 is a left side view thereof, with the cord detached and perpendicular to the connector; FIG. 5 is a right side view thereof, with the cord detached and perpendicular to the connector; FIG. 6 is a top plan view of the earbuds shown separately for ease of illustration; FIG. 7 is an end elevational view thereof; FIG. 8 is a side elevational view thereof; and, FIG. 9 is an enlarged view of the connector shown in FIG. 1.

(56) **References Cited**

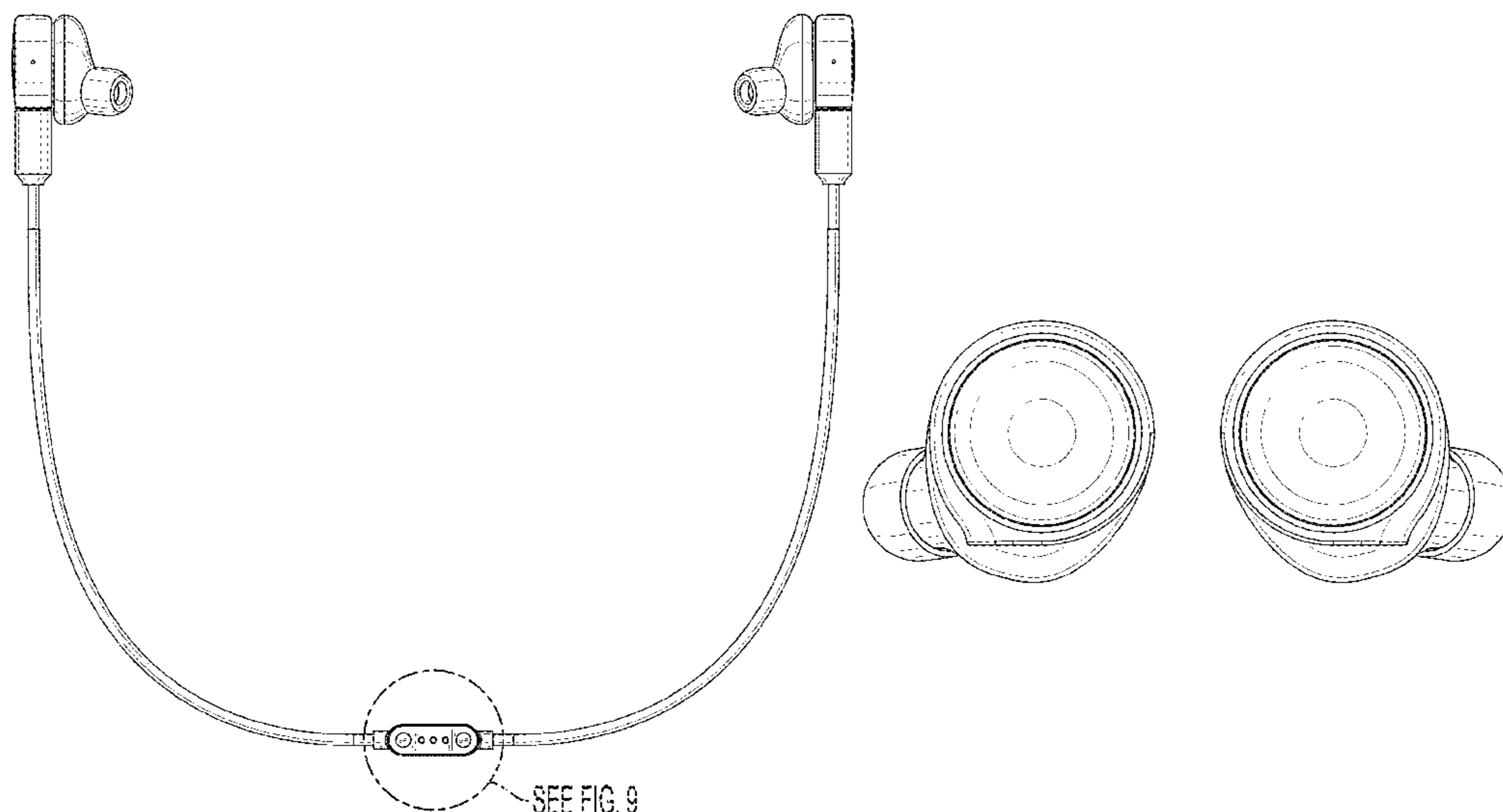
U.S. PATENT DOCUMENTS

3,588,384 A \* 6/1971 Negley ..... H04M 1/05  
381/375  
4,335,930 A \* 6/1982 Feldman ..... H01R 24/58  
439/669  
4,961,711 A \* 10/1990 Fujiura ..... H01R 13/6275  
439/357  
D430,547 S \* 9/2000 Yoon ..... D14/142

The dot-dash-dot broken lines encircling portions of the earphones in FIG. 1 and illustrated in an enlarged view of FIG. 9 form no part of the claimed design.

(Continued)

**1 Claim, 5 Drawing Sheets**



(56)

References Cited

U.S. PATENT DOCUMENTS

6,198,821 B1 \* 3/2001 Yang ..... H01R 13/70  
379/420.04  
D446,499 S \* 8/2001 Andre ..... D13/110  
D526,642 S \* 8/2006 Choe ..... D14/205  
D546,321 S \* 7/2007 Kim ..... D14/223  
D562,807 S \* 2/2008 Andre ..... D14/223  
D591,264 S \* 4/2009 Hong ..... D14/205  
D595,690 S \* 7/2009 Fullerton ..... D14/205  
D598,010 S \* 8/2009 Matsuda ..... D14/205  
D598,901 S \* 8/2009 Lee ..... D14/223  
D599,779 S \* 9/2009 Ando ..... D14/205  
D599,781 S \* 9/2009 Lee ..... D14/205  
D605,628 S \* 12/2009 Ando ..... D14/205  
D607,875 S \* 1/2010 Pedersen, II ..... H04R 1/1033  
D14/206  
D643,414 S \* 8/2011 Lee ..... D14/223  
8,073,181 B2 \* 12/2011 Bakalos ..... H04R 3/04  
381/384  
D652,817 S \* 1/2012 Lee ..... D14/205  
D653,235 S \* 1/2012 McManigal ..... D14/205  
D655,277 S \* 3/2012 Wai ..... D14/223  
8,144,915 B2 \* 3/2012 Hankey ..... H01H 9/0228  
381/384  
8,175,315 B2 \* 5/2012 Tanaka ..... H04R 1/1016  
381/370  
D678,242 S \* 3/2013 Von Euler ..... D14/205  
D678,849 S \* 3/2013 McCullar ..... D13/168  
D681,001 S \* 4/2013 Murchison ..... D14/205  
8,442,257 B2 \* 5/2013 Aase ..... H01B 13/0013  
381/370  
8,447,062 B2 \* 5/2013 Lin ..... H04R 1/10  
381/384  
D687,417 S \* 8/2013 Koss ..... D14/223  
D691,120 S \* 10/2013 Koch ..... D14/223  
D705,760 S \* 5/2014 Drambarean ..... H04R 25/00  
D14/223  
D719,139 S \* 12/2014 Henry ..... D14/223  
D726,145 S \* 4/2015 Hsieh ..... D14/205

9,031,264 B2 \* 5/2015 Yang ..... H04R 1/1033  
381/189  
D820,810 S \* 6/2018 Levine ..... D14/205  
D824,875 S \* 8/2018 Czaniecki ..... D14/205  
D839,237 S \* 1/2019 Mei ..... D14/205  
D839,849 S \* 2/2019 Li ..... D14/192  
D839,850 S \* 2/2019 Mei ..... D14/205  
D840,371 S \* 2/2019 Xiong ..... D14/205  
D844,586 S \* 4/2019 Sweet ..... D14/205  
D845,926 S \* 4/2019 Aoyagi ..... D14/205  
D849,714 S \* 5/2019 Shin ..... D14/205  
10,397,689 B2 8/2019 Tang  
D881,841 S \* 4/2020 Ying ..... D14/205  
D895,575 S \* 9/2020 Aoyagi ..... D14/217  
D896,781 S \* 9/2020 Reimann ..... D14/205  
2011/0044487 A1 \* 2/2011 Nault ..... H04R 1/1033  
381/380  
2011/0170733 A1 \* 7/2011 Aase ..... H01B 5/00  
381/384  
2013/0077815 A1 \* 3/2013 Stephenson ..... H04R 1/1016  
381/370  
2014/0138150 A1 \* 5/2014 Huang ..... H04R 5/033  
174/71 R  
2016/0142808 A1 \* 5/2016 Monahan ..... H04R 5/033  
381/384  
2017/0295421 A1 10/2017 Hung

FOREIGN PATENT DOCUMENTS

CN 205249440 U 5/2016  
CN 206136196 U 4/2017  
CN 107786917 A 3/2018  
CN 110418239 A 11/2019  
CN 209861123 U 12/2019  
EP 3393137 A1 10/2018

OTHER PUBLICATIONS

Search Report for corresponding GB1912896.6, dated Feb. 19, 2020, 5 pages.

\* cited by examiner

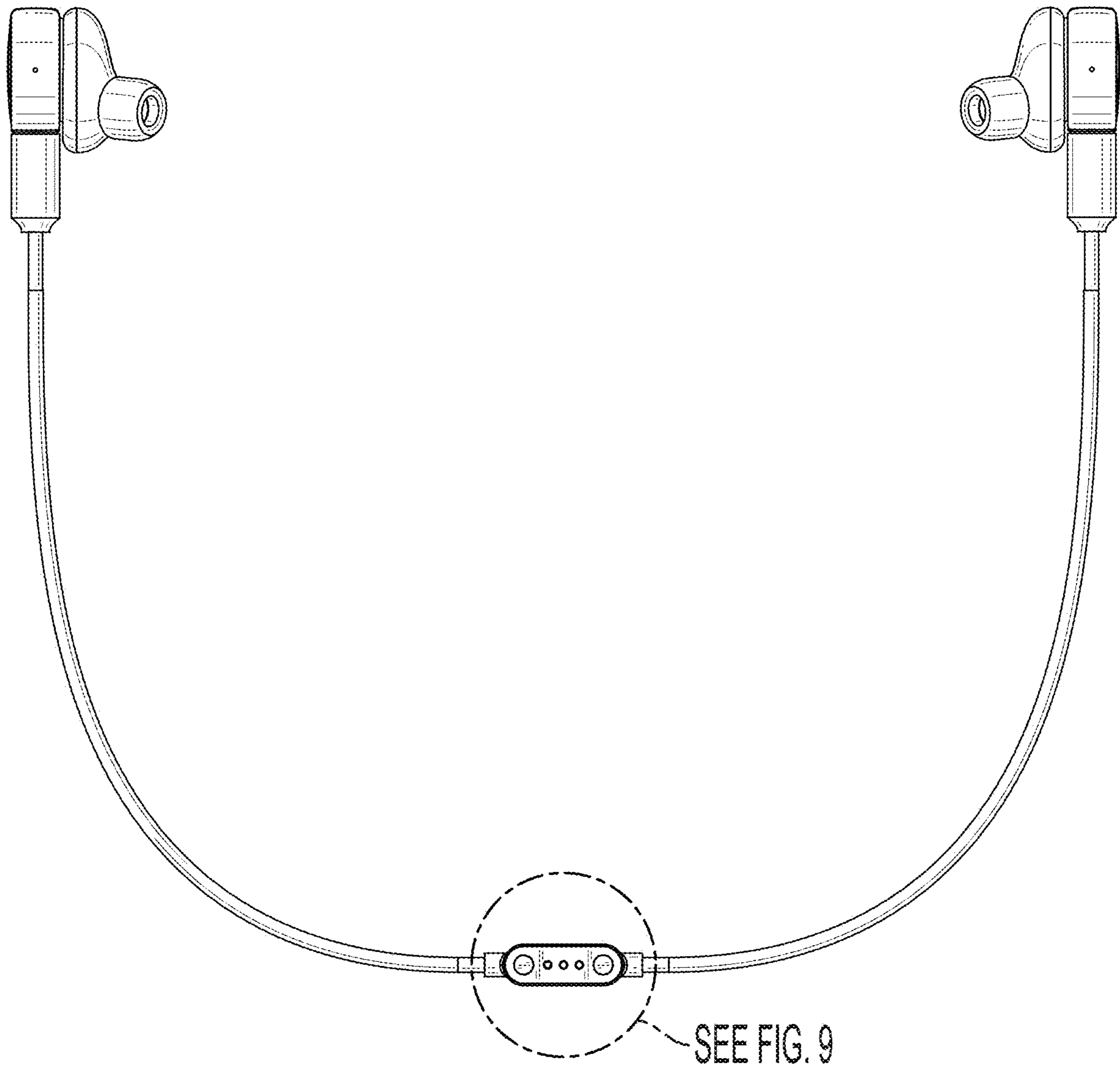


FIG. 1

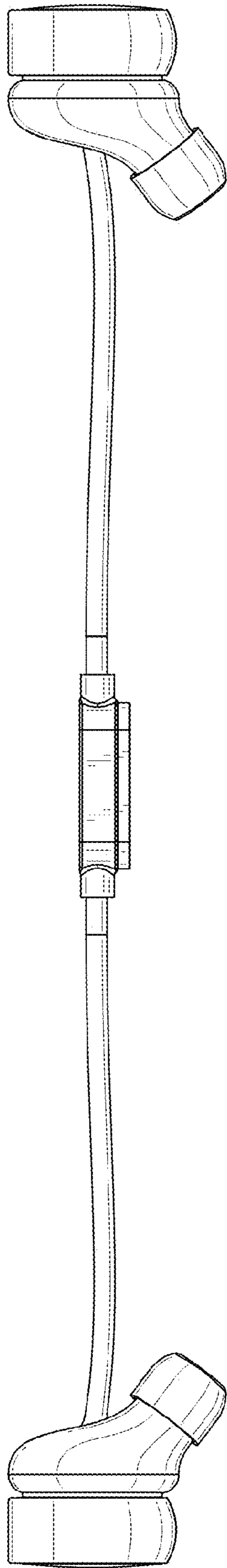


FIG. 2

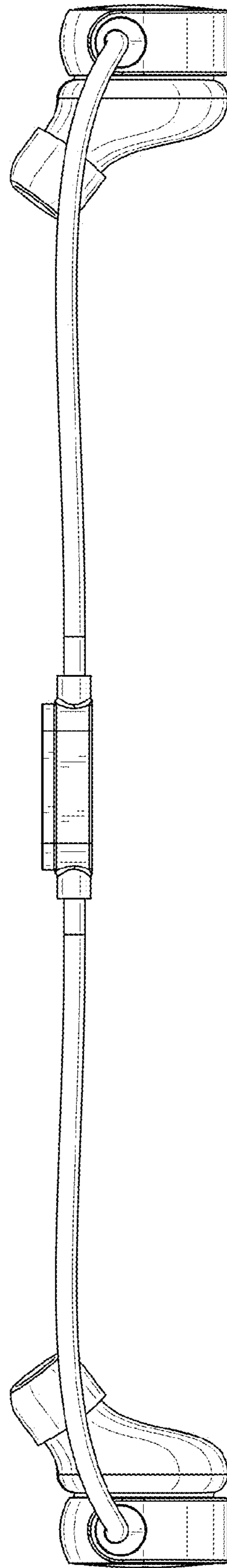


FIG. 3

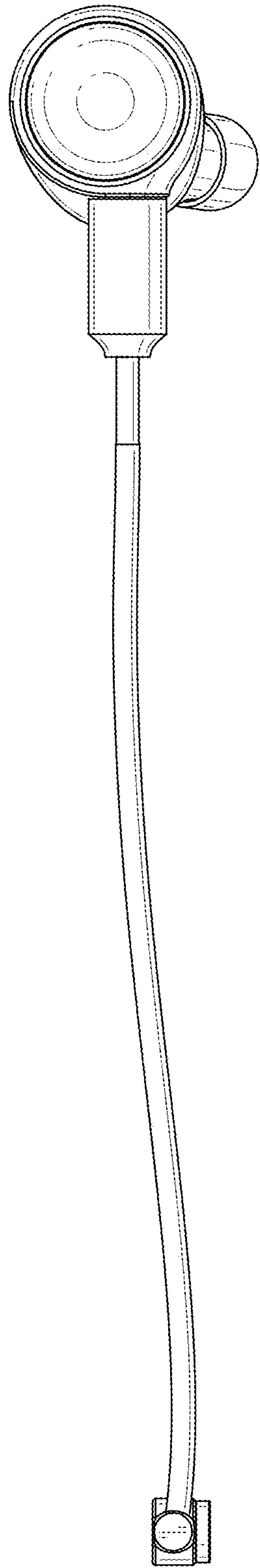


FIG. 4

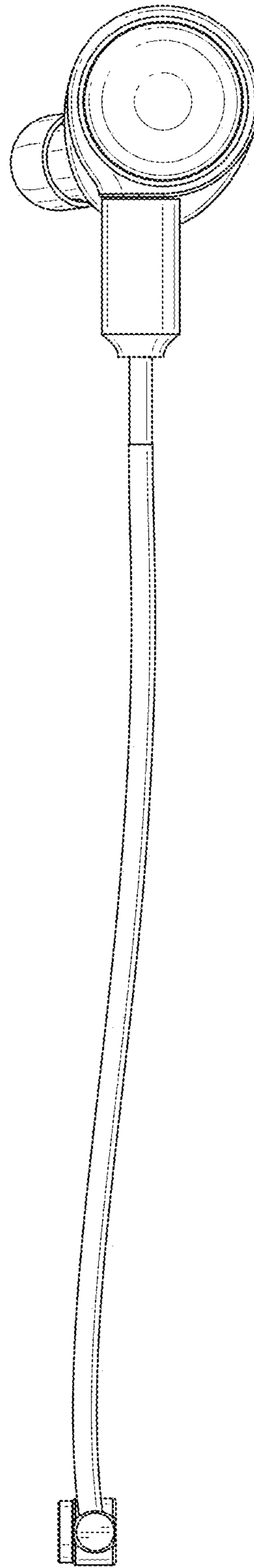


FIG. 5

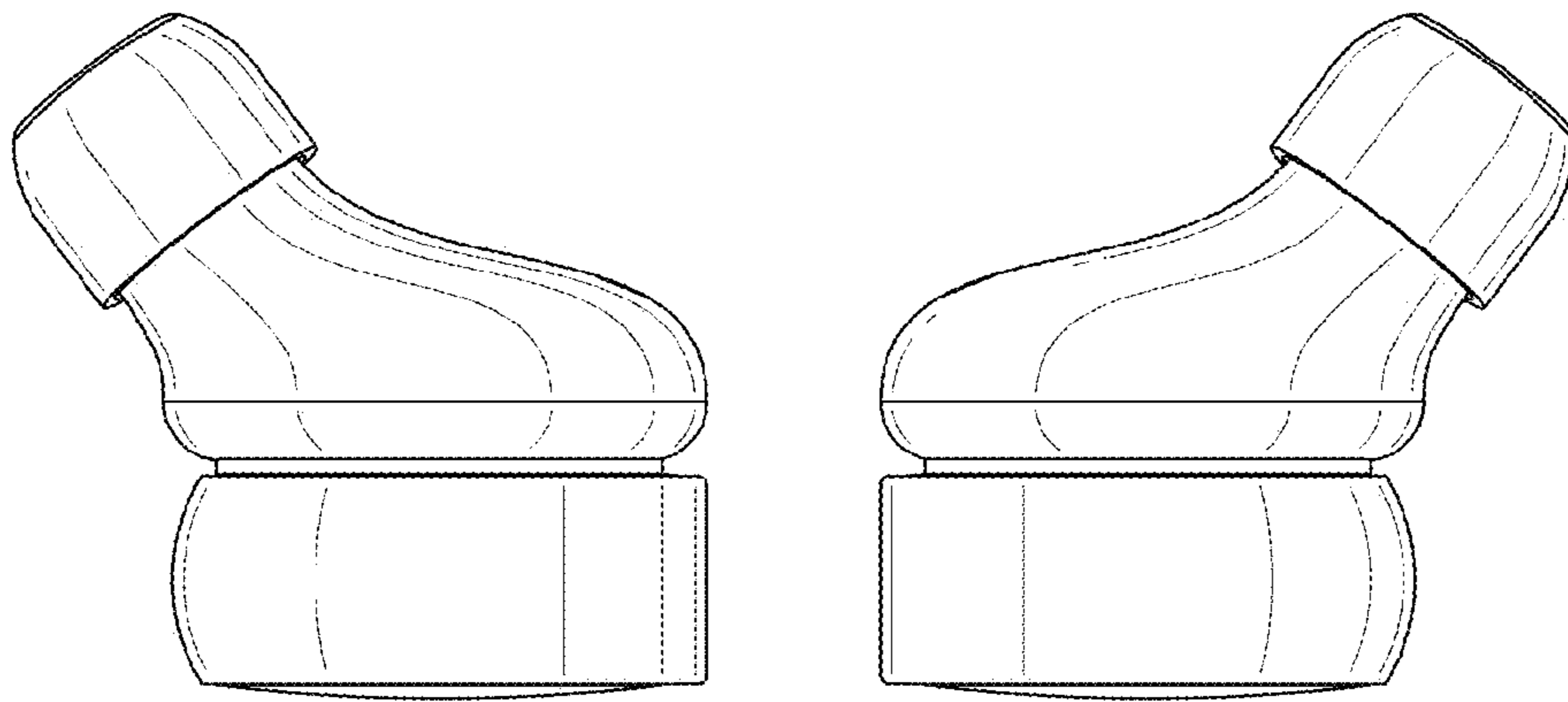


FIG. 6

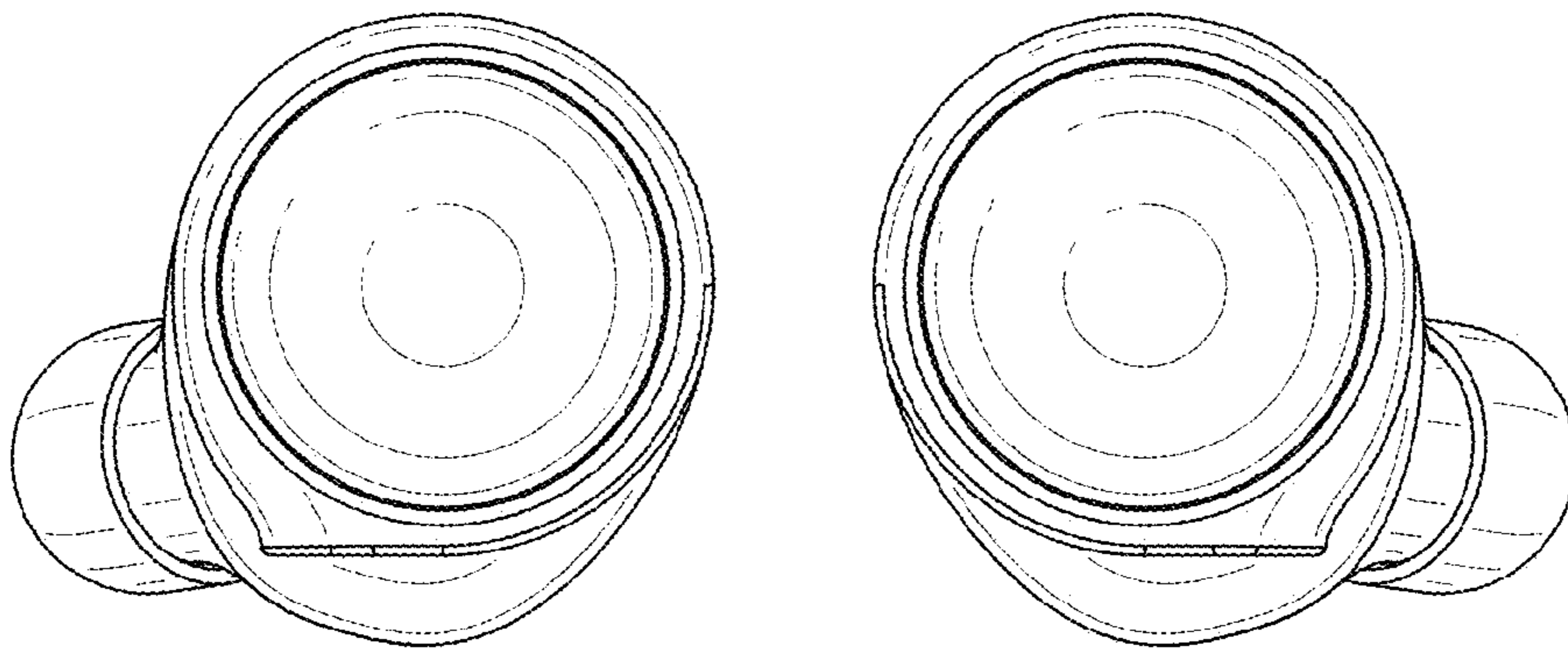


FIG. 7

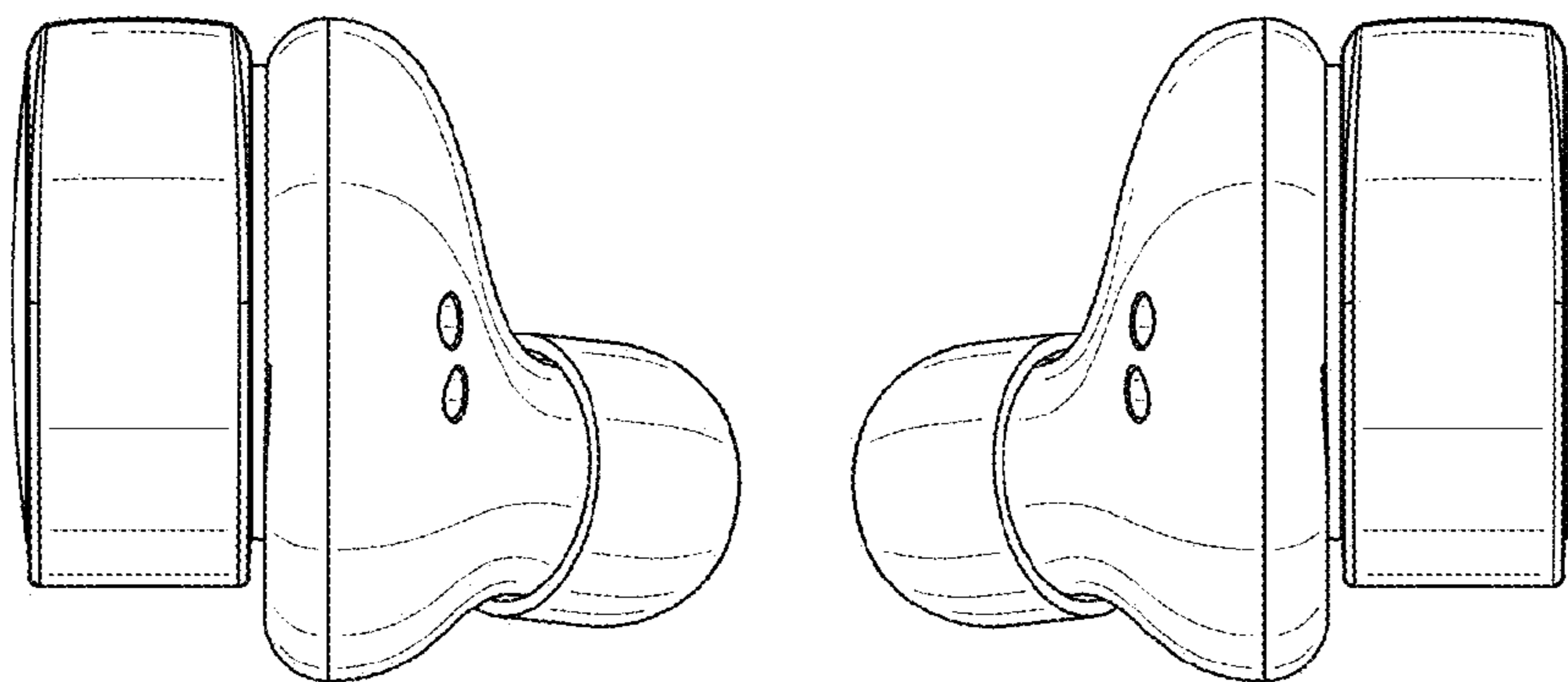


FIG. 8

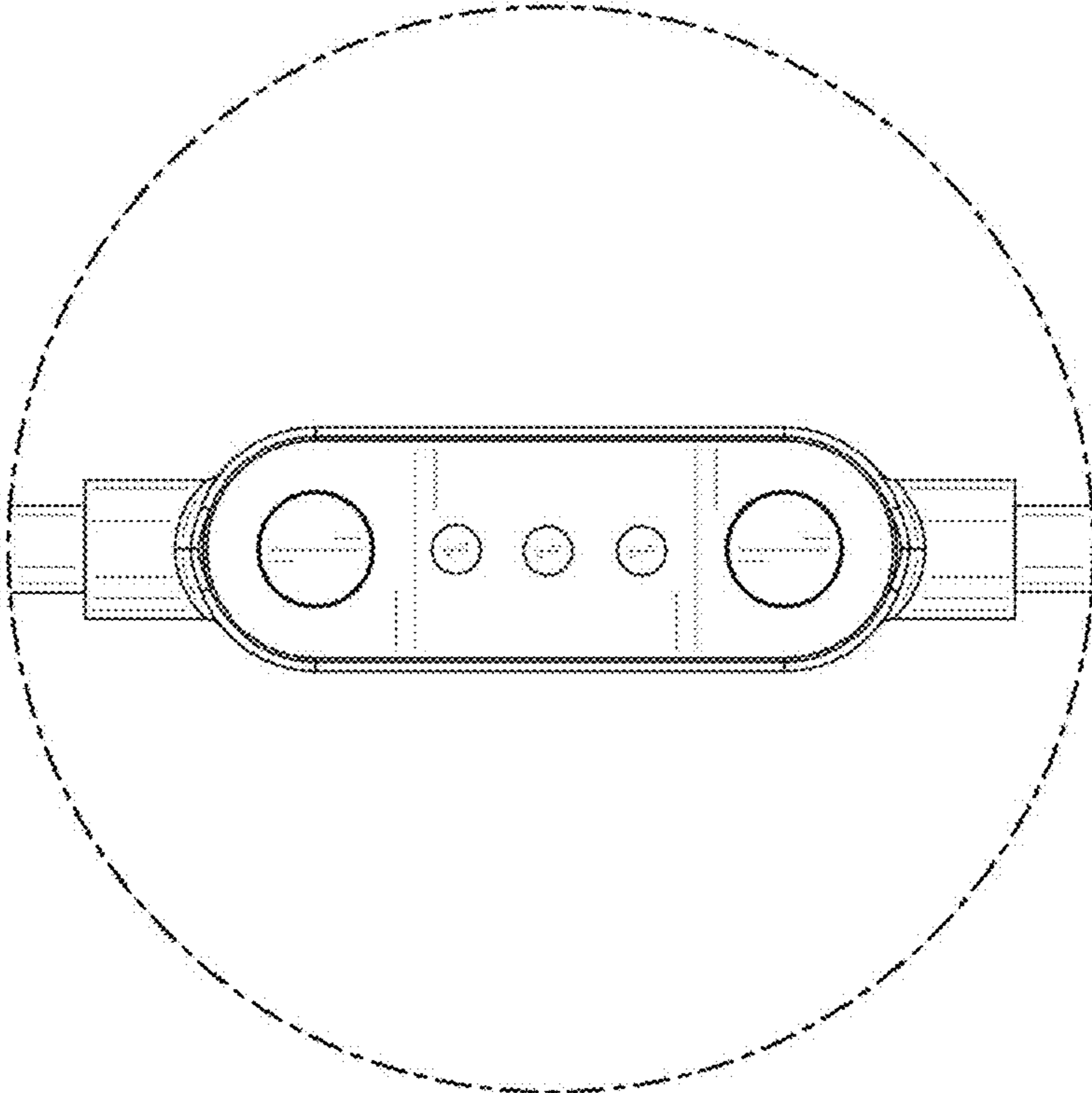


FIG. 9