



US00D957359S

(12) **United States Design Patent**  
**Horiuchi**

(10) **Patent No.:** **US D957,359 S**  
(45) **Date of Patent:** **\*\* Jul. 12, 2022**

(54) **DIGITAL AUDIO PLAYER FOR AN  
AUTOMOBILE**

(71) Applicant: **PIONEER CORPORATION**, Tokyo  
(JP)

(72) Inventor: **Yuto Horiuchi**, Tokyo (JP)

(73) Assignee: **PIONEER CORPORATION**, Tokyo  
(JP)

(\*\*) Term: **15 Years**

(21) Appl. No.: **29/737,258**

(22) Filed: **Jun. 8, 2020**

(30) **Foreign Application Priority Data**

Dec. 9, 2019 (JP) ..... 2019-027306

(51) **LOC (13) Cl.** ..... **14-01**

(52) **U.S. Cl.**  
USPC ..... **D14/203.1**; D14/203.7; D14/258

(58) **Field of Classification Search**  
USPC ..... D14/125-126, 155-159, 160-173,  
D14/187-188, 191-198, 203.1-203.8,  
D14/204-216, 217-222, 225-229, 445,  
D14/496, 500, 258; D16/200-208, 211,  
D16/216-219, 221, 225, 230, 237;  
D10/65-66, 110, 113.4, 114.3-114.5,  
D10/117; D7/340, 347-349, 351  
CPC ..... H04R 1/02; H04R 1/021; H04R 1/025;  
H04R 1/026; H04R 1/028; H04R 1/06;  
H04R 1/105; H04R 1/323; H04R 1/403;  
H04R 1/2803; H04R 1/2834

See application file for complete search history.

(56) **References Cited**

**U.S. PATENT DOCUMENTS**

D538,769 S \* 3/2007 Nemoto ..... D14/499  
D559,228 S \* 1/2008 Iwamoto ..... D14/157

D565,559 S \* 4/2008 Aihara ..... D14/258  
D574,796 S \* 8/2008 Yokoyama ..... D14/132  
D593,133 S \* 5/2009 Yamamoto ..... D14/505  
D597,424 S \* 8/2009 Miyawaki ..... D10/65  
D622,734 S \* 8/2010 Miyawaki ..... D14/502  
D665,380 S \* 8/2012 Iwamoto ..... D14/198  
D745,857 S \* 12/2015 Funayama ..... D14/203.7  
D762,189 S \* 7/2016 Kitamura ..... D14/203.7

(Continued)

**FOREIGN PATENT DOCUMENTS**

CN 305947461 \* 7/2020  
CN 306785986 \* 8/2021

(Continued)

**OTHER PUBLICATIONS**

Pioneer DMH-WT7600NEX 1-DIN Digital Media Receiver, date first available: Feb. 20, 2020, [retrieved Dec. 15, 2021], Retrieved from Internet, URL: <<https://www.amazon.com/Pioneer-DMH-WT7600NEX-Digital-Receiver-Floating/dp/B084ZW8TDR>> (Year: 2020).\*

(Continued)

*Primary Examiner* — Barbara Fox  
*Assistant Examiner* — Aram Kwon  
(74) *Attorney, Agent, or Firm* — Faegre Drinker Biddle & Reath LLP

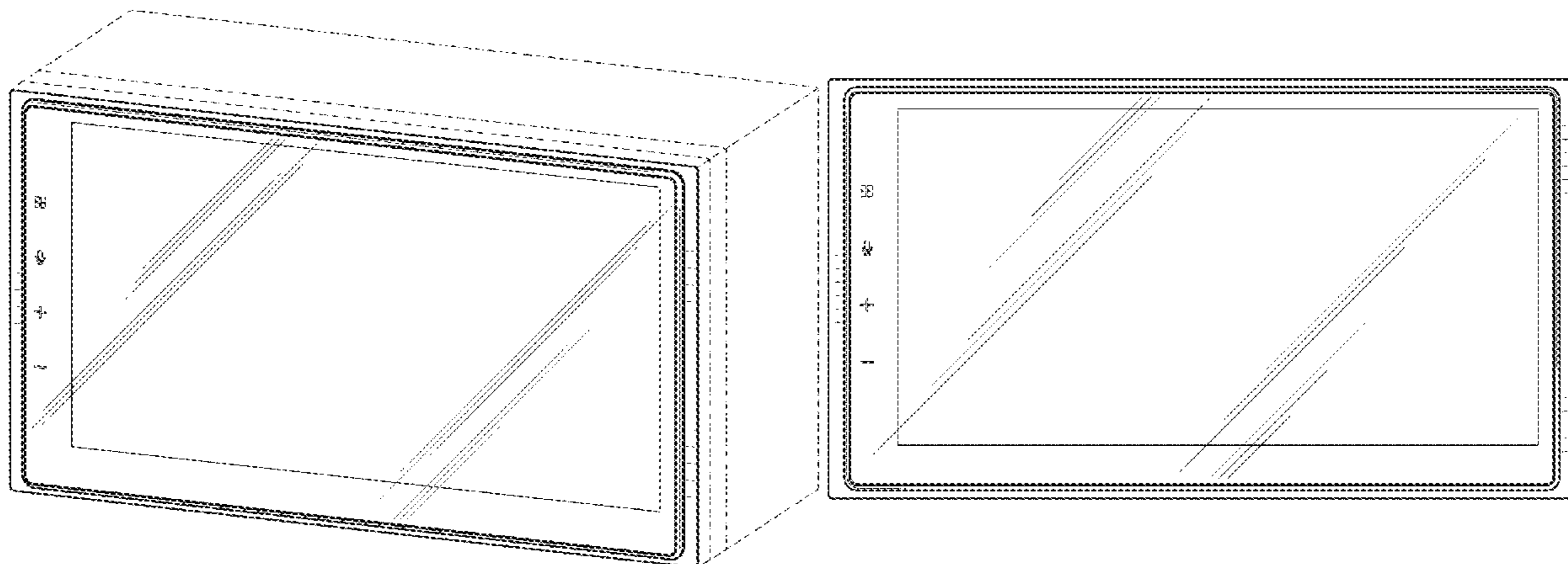
(57) **CLAIM**

The ornamental design for a digital audio player for an automobile, as shown and described.

**DESCRIPTION**

FIG. 1 is a perspective view of a digital audio player for an automobile showing my new design; and, FIG. 2 is a front view thereof. The broken lines illustrating portions of the digital audio player for an automobile form no part of the claimed design.

**1 Claim, 2 Drawing Sheets**



(56)

References Cited

U.S. PATENT DOCUMENTS

D775,604 S \* 1/2017 Kimura ..... D14/203.7  
 D781,638 S \* 3/2017 Chung ..... D7/351  
 D801,835 S \* 11/2017 Shioyuchi ..... D10/65  
 D817,321 S \* 5/2018 Sakata ..... D14/258  
 D817,359 S \* 5/2018 Mihara ..... D14/258  
 D843,160 S \* 3/2019 Kang ..... D7/351

FOREIGN PATENT DOCUMENTS

JP D1389423 6/2010  
 JP 30-0684386 5/2013  
 JP D1483026 11/2013  
 JP D1523797 5/2015  
 JP D1566377 1/2017  
 JP D1568458 \* 2/2017  
 JP D1612645 9/2018  
 JP D1619137 \* 11/2018  
 JP D1642904 10/2019

JP D1644292 10/2019  
 JP D1659699 \* 5/2020  
 JP D1685805 \* 5/2021

OTHER PUBLICATIONS

DMH-WT76NEX, date not available, [retrieved Dec. 15, 2021], Retrieved from Internet, URL: <<https://www.pioneerelectronics.com/PUSA/Car/Digital+Media+Receivers/DMH-WT76NEX>> (Year: 2021).\*

Pioneer DMH-WT7600NEX, date not available, [retrieved Dec. 15, 2021], Retrieved from Internet, URL: <<https://www.cartoys.com/pioneer-dmh-wt7600nex>> (Year: 2021).\*

Pioneer Releases Highly Anticipated Firmware Update, Oct. 21, 2020, [retrieved Dec. 15, 2021], Retrieved from Internet, URL: <<https://www.autoevolution.com/news/pioneer-releases-highly-anticipated-firmware-update-with-carplay-improvements-150421.html>> (Year: 2020).\*

\* cited by examiner

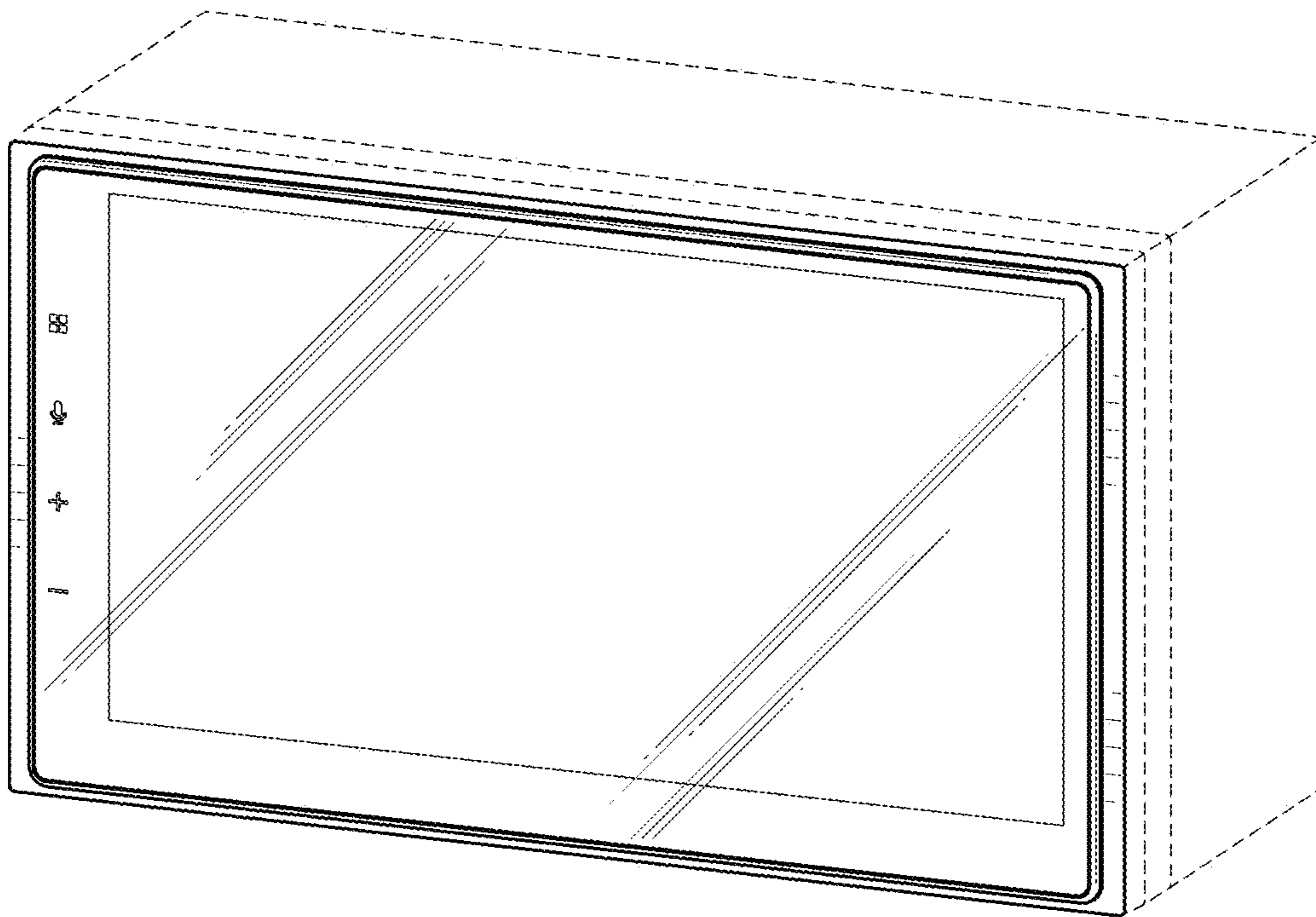


FIG. 1

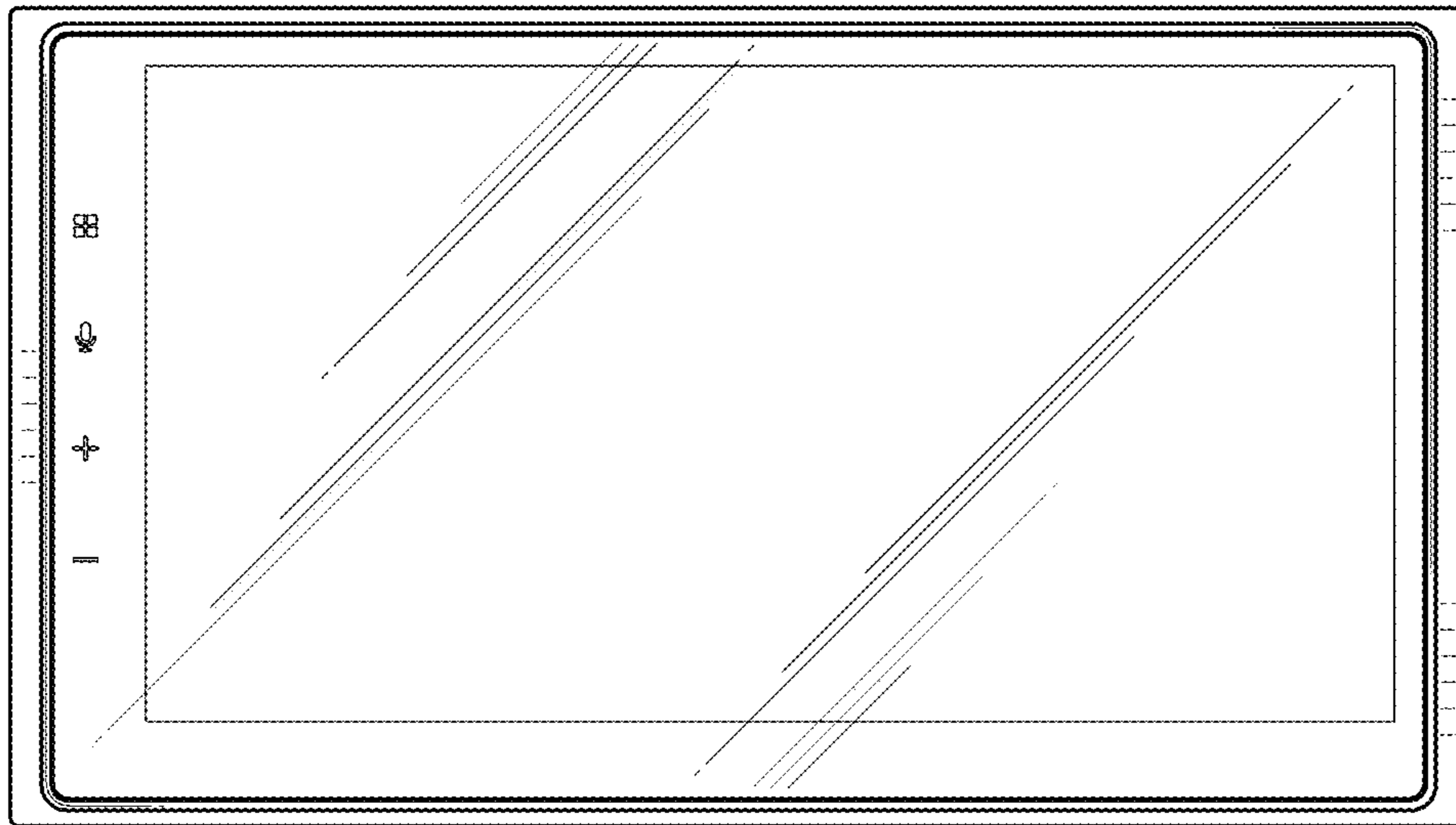


FIG. 2