

US00D957358S

(12) **United States Design Patent**
Scala

(10) **Patent No.:** **US D957,358 S**

(45) **Date of Patent:** **** Jul. 12, 2022**

(54) **TELEVISION DECODER**

(71) Applicant: **SAGEMCOM BROADBAND SAS**,
Rueil-Malmaison (FR)

(72) Inventor: **Olivier Scala**, Rueil-Malmaison (FR)

(**) Term: **15 Years**

(21) Appl. No.: **29/752,929**

(22) Filed: **Sep. 29, 2020**

(30) **Foreign Application Priority Data**

May 20, 2020 (EM) 007960265-0001

(51) **LOC (13) Cl.** **14-03**

(52) **U.S. Cl.**
USPC **D14/125**

(58) **Field of Classification Search**

USPC D14/240, 242, 357, 358, 140-140.9, 155,
D14/137, 139, 243, 433, 125-134, 239,
D14/371, 374-377, 440, 450, 448, 336,
D14/342, 159, 314-316, 322, 326,
D14/334-335, 339, 340, 341, 356,
D14/215-218; D21/329, 515, 333, 331,
D21/505; D10/15, 26; D6/300

CPC H04L 12/00; H03K 17/00; H04W 88/00;
H04W 88/005; H04W 88/02; H04W
88/08; H04W 88/085; H04W 88/10;
H04W 88/12; H04W 88/14; G06F
1/1601; G06F 1/1643; H05K 5/0004;
H05K 5/0017; H05K 5/02; H05K 5/0217

See application file for complete search history.

(56) **References Cited**

U.S. PATENT DOCUMENTS

D526,648 S * 8/2006 Andre D14/314
D601,583 S * 10/2009 Andre D14/496
D727,360 S * 4/2015 Peng D14/496
D780,137 S * 2/2017 Tallqvist D14/125
D780,731 S * 3/2017 Kim D14/242
D807,840 S * 1/2018 Lee D14/125
D815,610 S * 4/2018 Lee D14/125

(Continued)

OTHER PUBLICATIONS

Sagemcom reinvents the home entertainment experience with the launch of Video Soundbox, the world's first Dolby Atmos certified 4K set-top box, featuring an audio solution, first available Jul. 15, 2021, amazon.com, [online], [site visited Jan. 11, 2021], Available from internet URL: <https://www.businesswire.com/news/home/20210715005017/en/Sagemcom-Reinvents-the-Home-Entertainment-Experience-with-the-Launch-of-Video-Soundbox%E2%84%A2-the-World-First-Dolby-Atmos-Certified-4K-Set-Top-Box-Including-an-Audio-Solution-Designed-with-Bang-Olufsen> (Year: 2021).*

(Continued)

Primary Examiner — Samantha Q Lawrence

Assistant Examiner — Holly M Rodriguez

(74) *Attorney, Agent, or Firm* — Egbert, McDaniel & Swartz, PLLC

(57) **CLAIM**

The ornamental design for a television decoder, as shown and described.

DESCRIPTION

FIG. 1 is a top, front and right side perspective view of a television decoder showing my new design.

FIG. 2 is a front view thereof;

FIG. 3 is a rear view thereof;

FIG. 4 is a right side view thereof;

FIG. 5 is a left side view thereof;

FIG. 6 is a top view thereof;

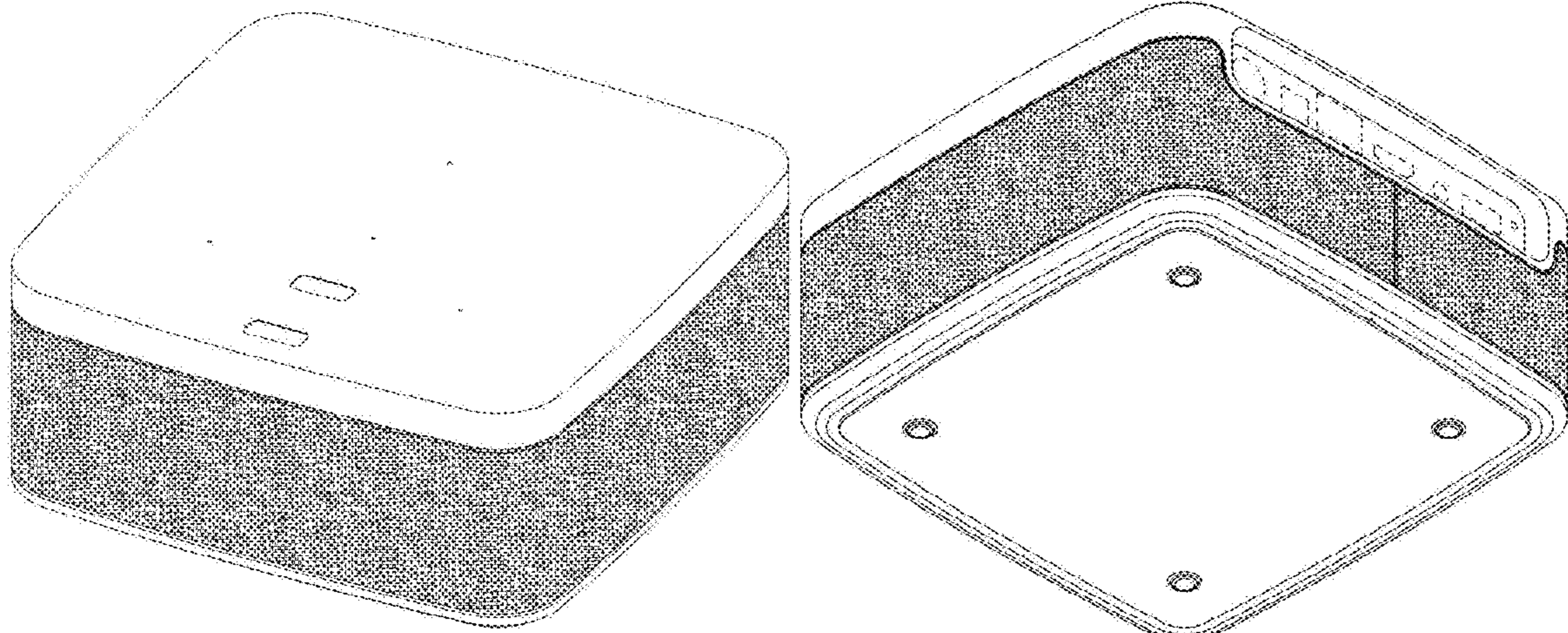
FIG. 7 is a bottom view thereof;

FIG. 8 is a bottom, rear and right side perspective view thereof; and,

FIG. 9 is a bottom, rear and left side perspective view thereof.

The broken lines shown in FIGS. 1, 3, 6, 8 and 9 illustrate portions of the television decoder that form no part of the claimed design.

1 Claim, 9 Drawing Sheets



(56)

References Cited

U.S. PATENT DOCUMENTS

D828,817 S	*	9/2018	Odryna	D14/125
D831,597 S	*	10/2018	Lee	D14/125
D831,598 S	*	10/2018	Jiang	D14/125
D864,145 S	*	10/2019	Zhang	D14/155
D879,034 S	*	3/2020	Wu	D13/108
D883,275 S	*	5/2020	Zhang	D14/299
D886,783 S	*	6/2020	Widiaman	D14/204
D912,532 S	*	3/2021	Yu	D10/15
D917,409 S	*	4/2021	Seflic	D14/125

OTHER PUBLICATIONS

Totalplay TV, new decoder with 4K, HDR, Dolby Atmos and Alexa, first available Aug. 12, 2021, amazon.com, [online], [site visited Jan. 13, 2021], Available from internet URL: <https://www.robotina.us/conectividad/Totalplay-TV-nuevo-decodificador-con-4K-HDR-Dolby-Atmos-y-Alexa-20210813-0010.html> (Year: 2021).*

2021 Apple TV 4K (64GB), first available Apr. 30, 2021, amazon.com, [online], [site visited Jan. 13, 2021], Available from internet

URL: https://www.amazon.com/2021-Apple-TV-4K-64GB/dp/B0933D8TNB/ref=sr_1_24?crd=2GEAPP4CUORH7&keywords=streaming%2Bdevices%2Bfor%E2%80%A6&th=1 (Year: 2021).*
Rocksteady Portable Bluetooth Speakers, first available Aug. 30, 2020, amazon.com, [online], [site visited Jan. 11, 2021], Available from internet URL: https://www.amazon.com/dp/B08BDHH3BM/ref=sspa_dk_detail_5?pd_rd_w=NQwpx&pf_rd_p=9fd3ea7c-b77c-42ac-b43b-c872d3f37c38&pd_rd_wg=%E2%80%A6&th=1 (Year: 2020).*

XGIMI Horizon 1080p FHD Projector, first available Feb. 18, 2021, amazon.com, [online], [site visited Jan. 11, 2021], Available from internet URL: https://www.amazon.com/Horizon-Projector-Supported-Correction-Avoidance/dp/B08WWMFFN6/ref=psdc_300334_t3_B07YDJZGG4 (Year: 2021).*

Hauppauge 1682 WinTV-quadHD USB Four HD ATSC Digital TV, first available Feb. 18, 2021, amazon.com, [online], [site visited Jan. 11, 2021], Available from internet URL: https://www.amazon.com/HAUPPAUGE-1682-Wintv-Quadhd-Digital-Tuners/dp/B0815PTW57/ref=pd_rhf_dp_s_ci_mcx_mr_hp_d_1/138-9648451-560%E2%80%A6 (Year: 2021).*

* cited by examiner

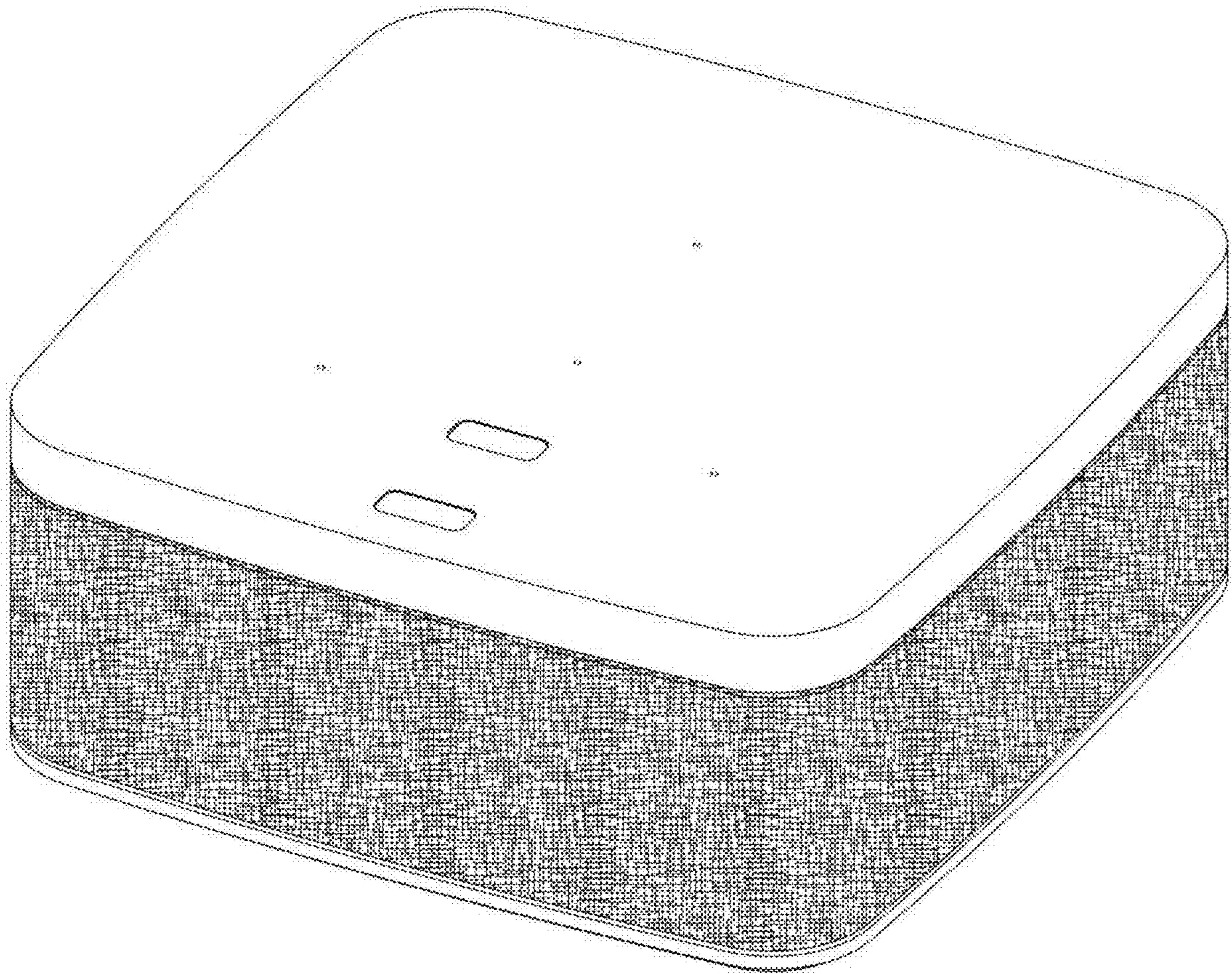


FIG. 1

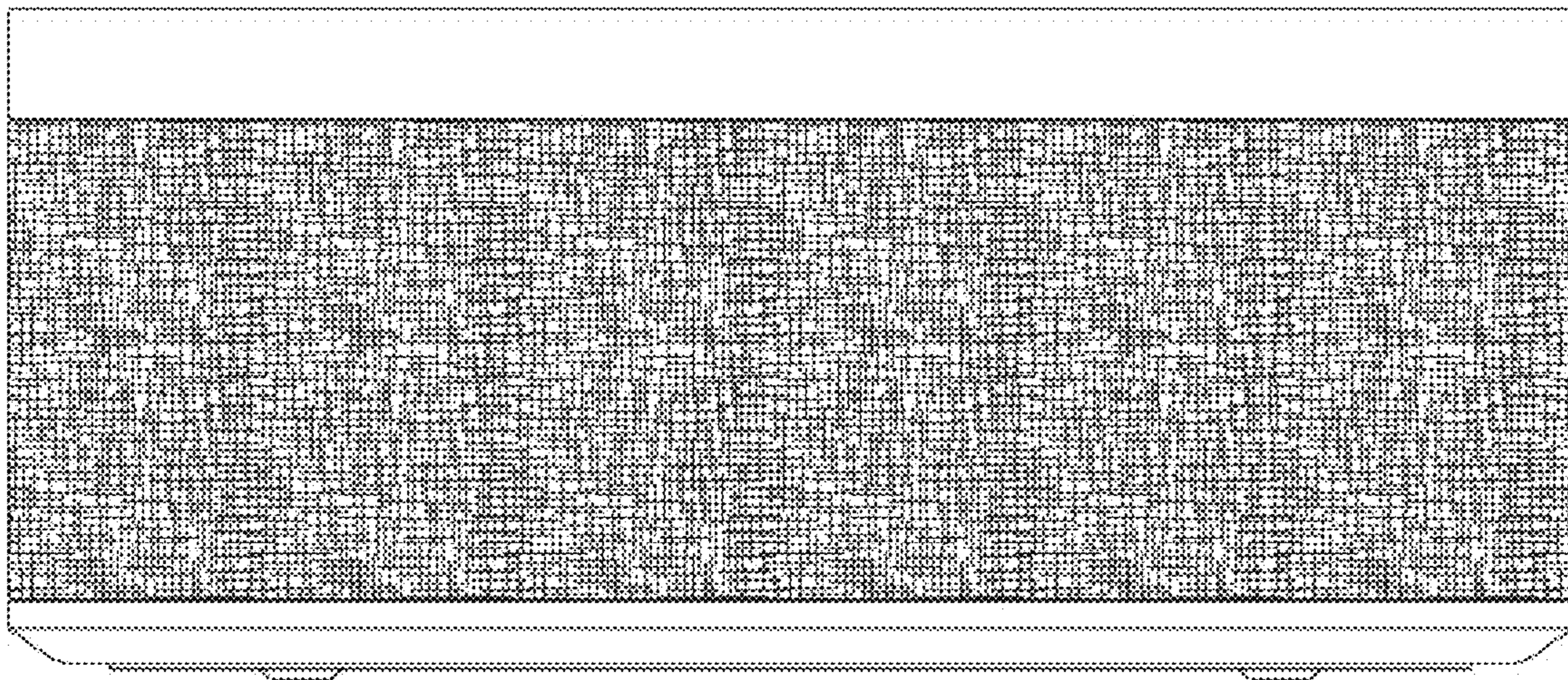


FIG. 2

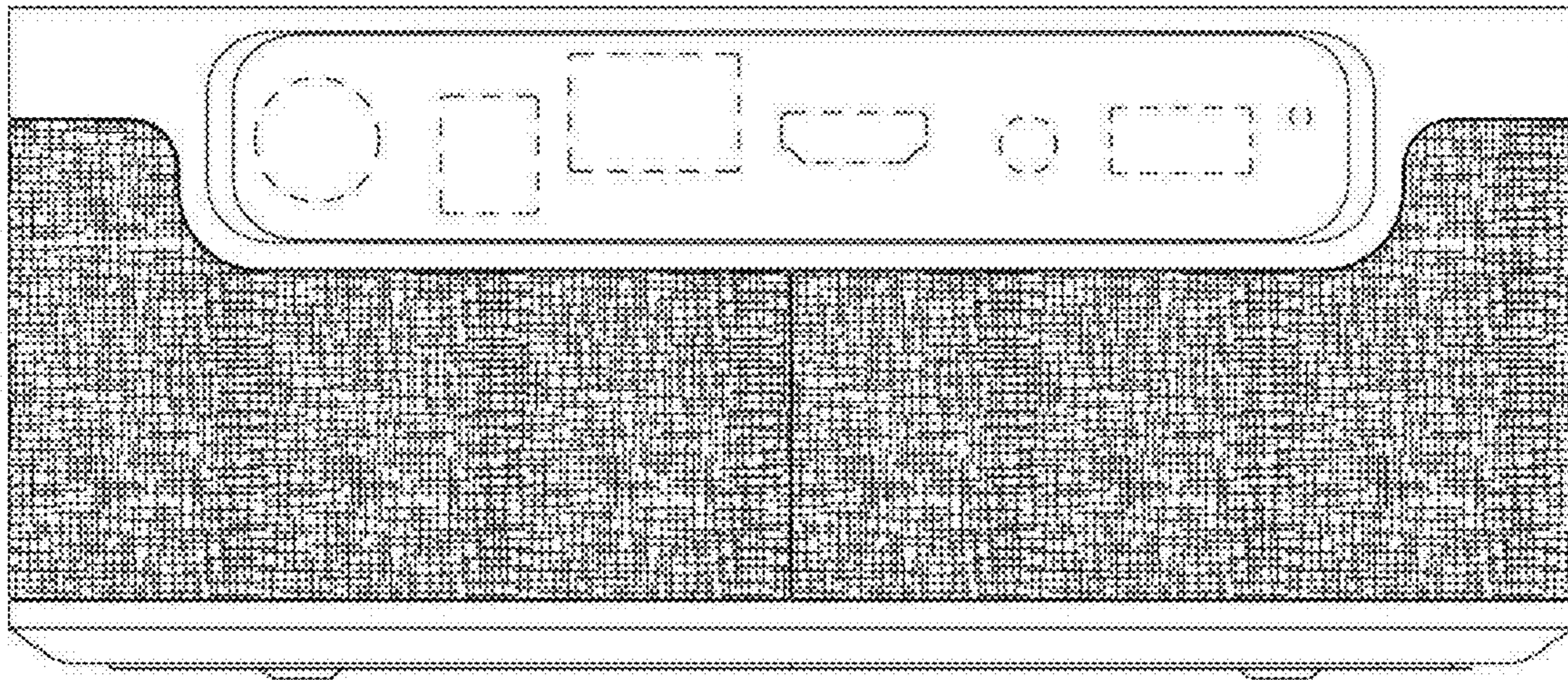


FIG. 3

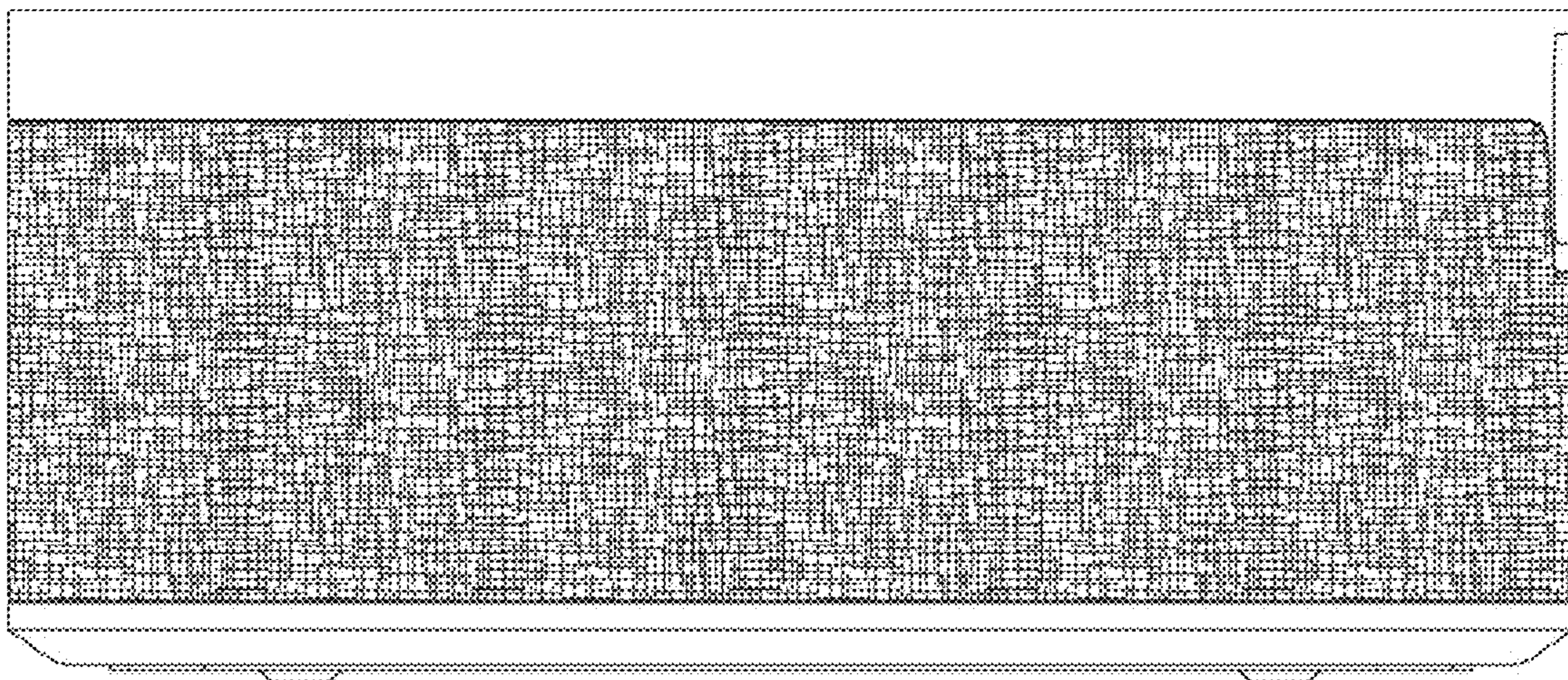


FIG. 4

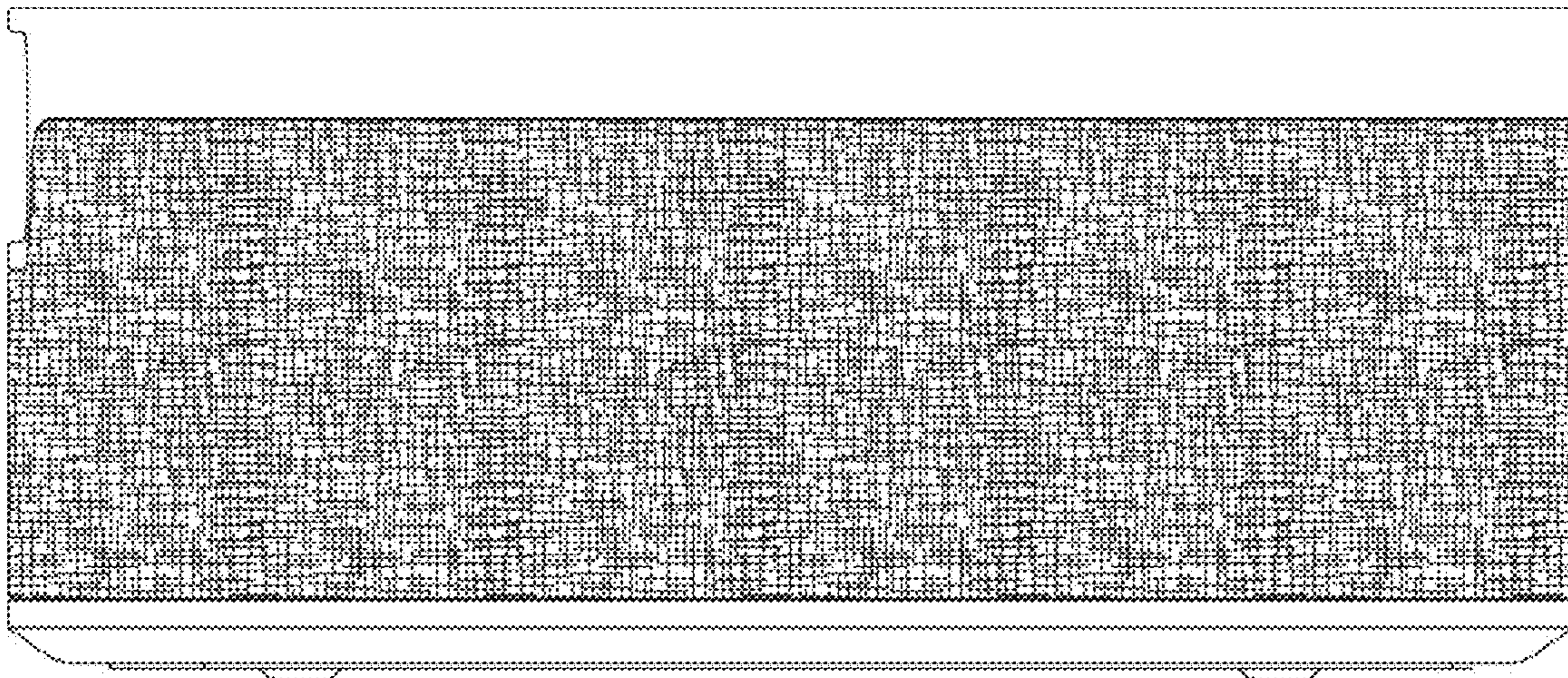


FIG. 5

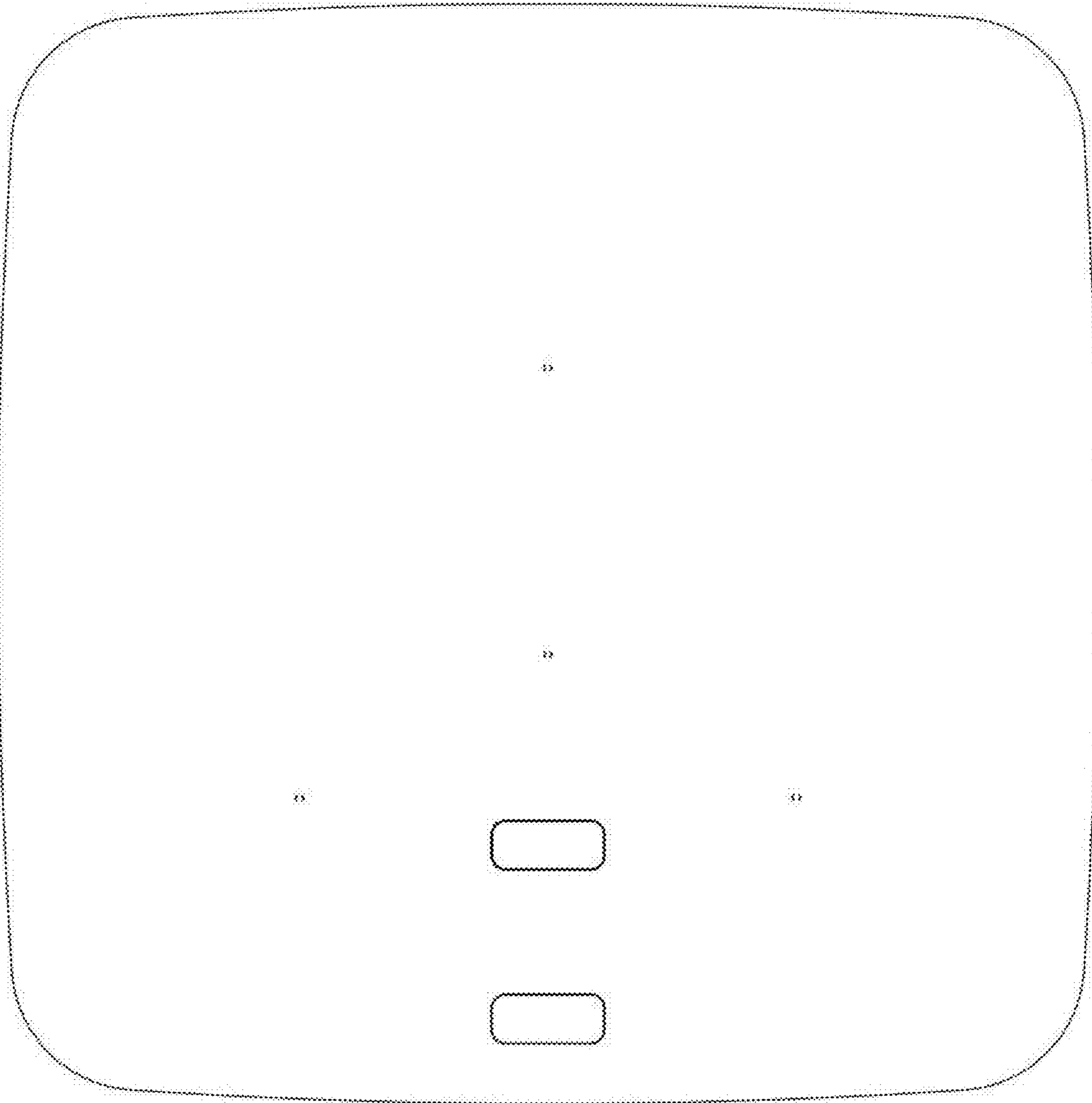


FIG. 6

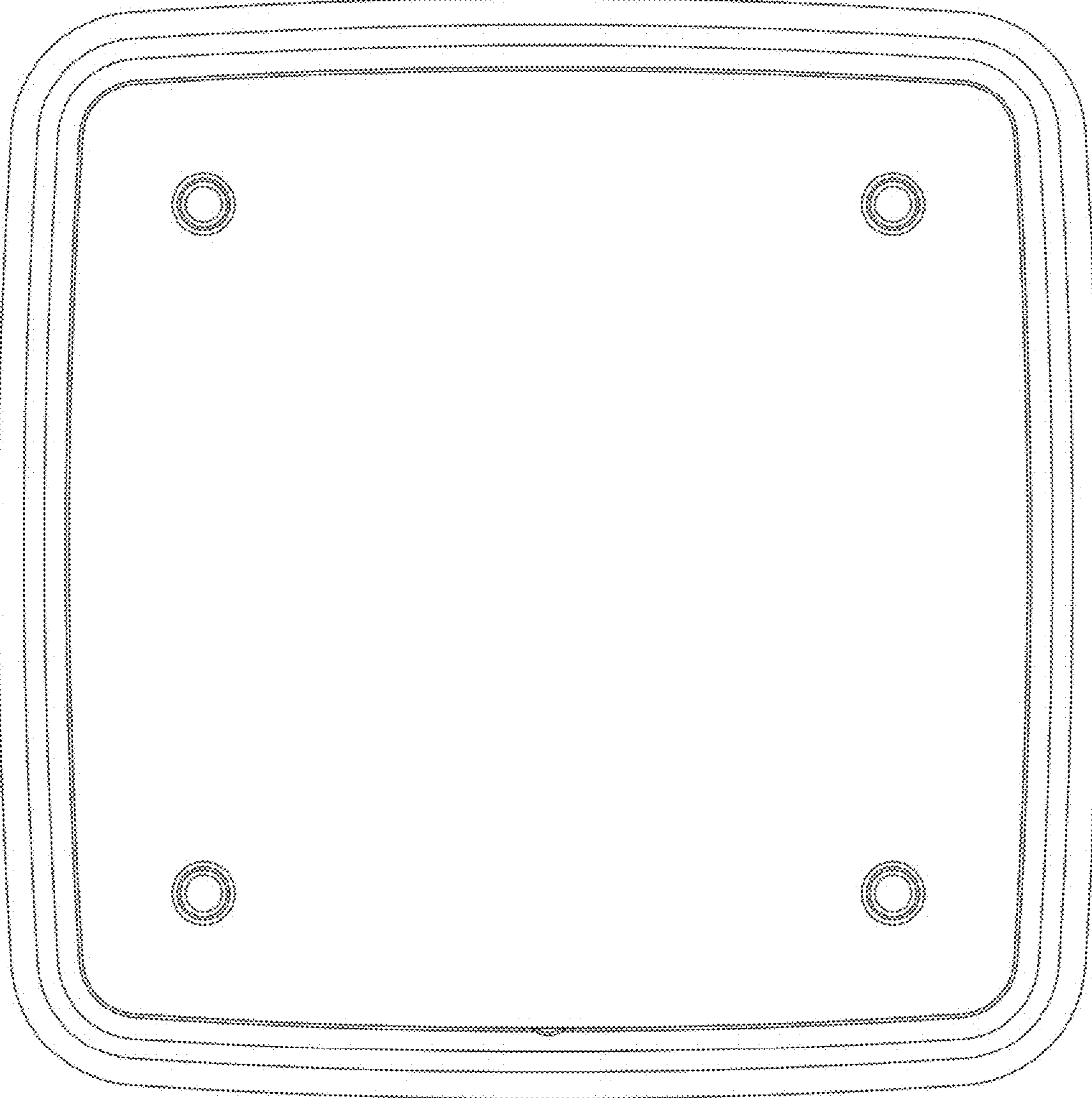


FIG. 7

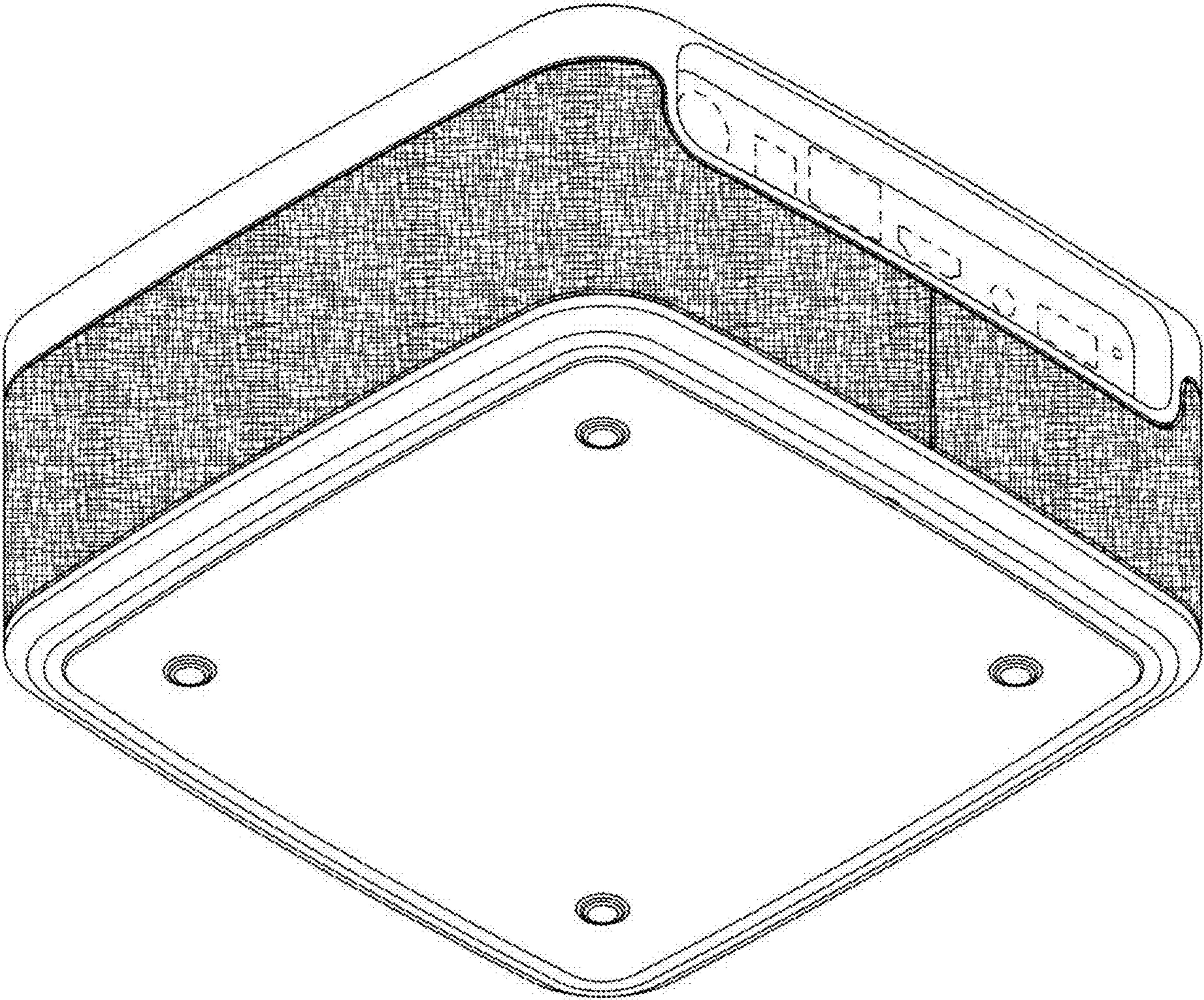


FIG. 8

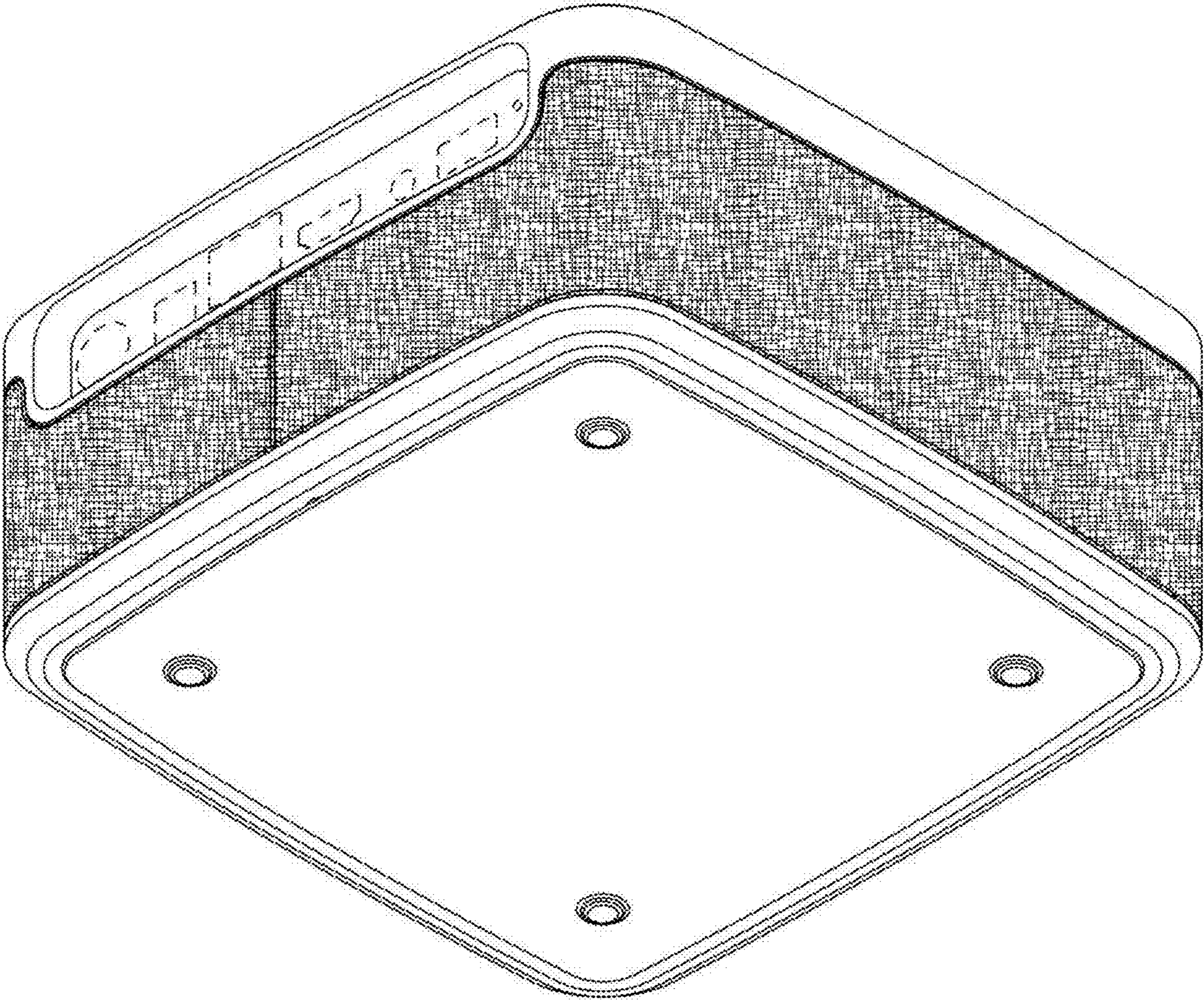


FIG. 9