



US00D957357S

(12) **United States Design Patent** (10) **Patent No.:** **US D957,357 S**  
**Moore** (45) **Date of Patent:** **\*\* Jul. 12, 2022**

(54) **CAP FOR AN ANODE ASSEMBLY**  
(71) Applicant: **Christopher L. Moore**, Grand Junction,  
CO (US)

D720,291 S \* 12/2014 Liu ..... D13/119  
D851,585 S \* 6/2019 Zhao ..... D13/107  
2008/0166629 A1\* 7/2008 Shiao ..... H01M 50/543  
429/169

(72) Inventor: **Christopher L. Moore**, Grand Junction,  
CO (US)

\* cited by examiner

(\*\*) Term: **15 Years**

*Primary Examiner* — Derrick E Holland  
(74) *Attorney, Agent, or Firm* — FisherBroyles, LLP;  
Craig W. Mueller

(21) Appl. No.: **29/774,233**

(22) Filed: **Mar. 15, 2021**

(57) **CLAIM**

(51) **LOC (13) Cl.** ..... **13-99**

The ornamental design for a cap for an anode assembly, as  
shown and described.

(52) **U.S. Cl.**  
USPC ..... **D13/199**

(58) **Field of Classification Search**  
USPC ..... D13/101, 117, 118, 119, 121, 123, 165,  
D13/166, 182, 199  
CPC ..... H01M 4/58; H01G 4/38; H01G 9/008;  
H05B 3/03; H05B 3/04; F24H 9/1827;  
F24H 9/2007  
See application file for complete search history.

**DESCRIPTION**

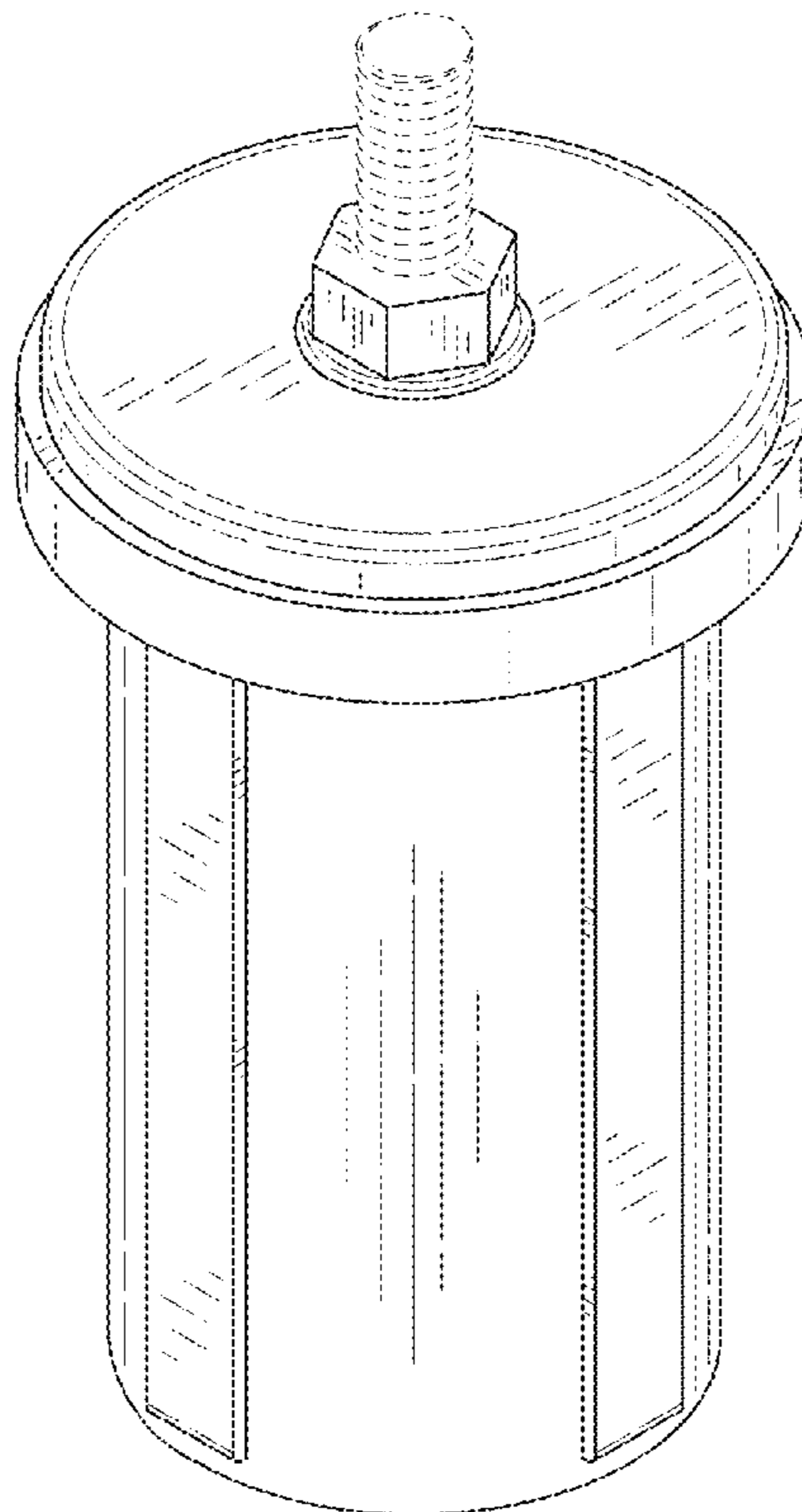
(56) **References Cited**

U.S. PATENT DOCUMENTS

5,313,360 A \* 5/1994 Stockman ..... H01G 4/385  
29/25.42  
5,673,168 A \* 9/1997 Efford ..... H01G 4/32  
361/519  
D572,673 S \* 7/2008 Kuriyama ..... D13/199  
D583,779 S \* 12/2008 Kuriyama ..... D13/182  
D624,890 S \* 10/2010 Schadeck ..... D13/199

FIG. 1 is a top perspective view of a cap for an anode  
assembly showing the new design;  
FIG. 2 is a front elevation view thereof;  
FIG. 3 is a rear elevation view thereof;  
FIG. 4 is a left elevation view thereof;  
FIG. 5 is a right elevation view thereof;  
FIG. 6 is a top plan view thereof;  
FIG. 7 is a bottom plan view thereof;  
FIG. 8 is a front elevation view shown in an extended  
position; and,  
FIG. 9 is a perspective view shown in environmental use.  
The broken line showing is for the purpose of illustrating  
environment and forms no part of the claimed design.

**1 Claim, 9 Drawing Sheets**



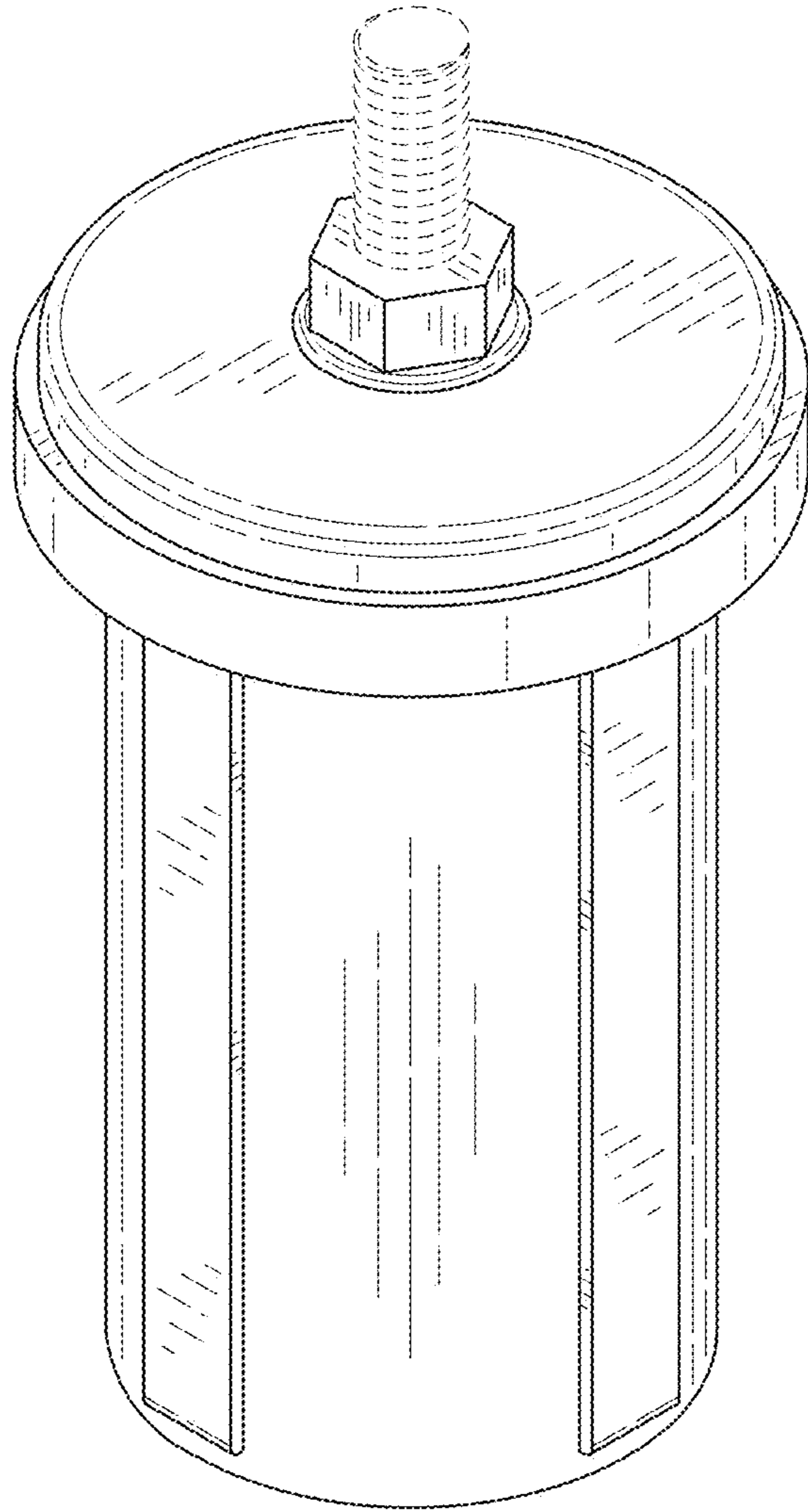


FIG.1

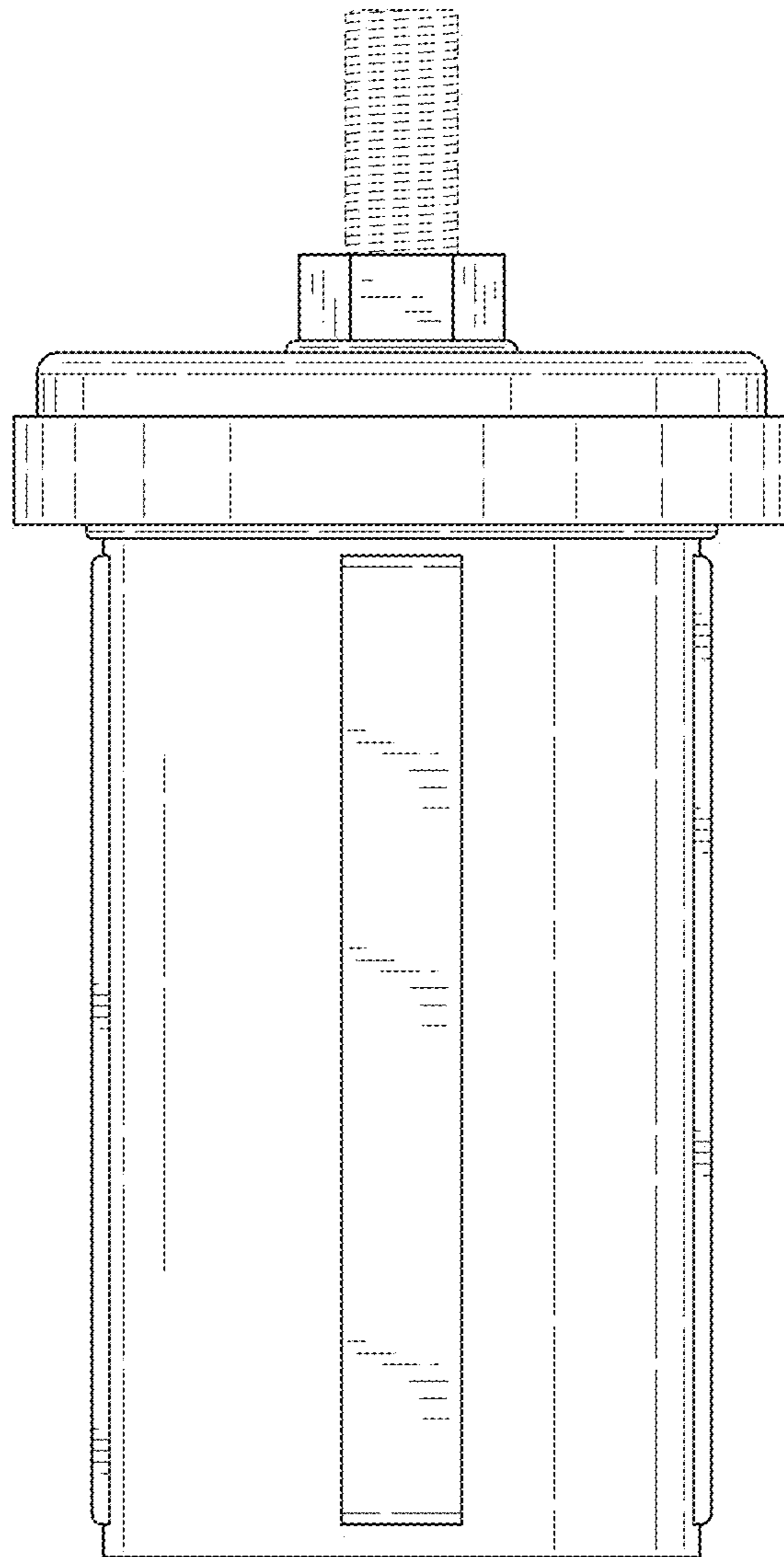


FIG.2

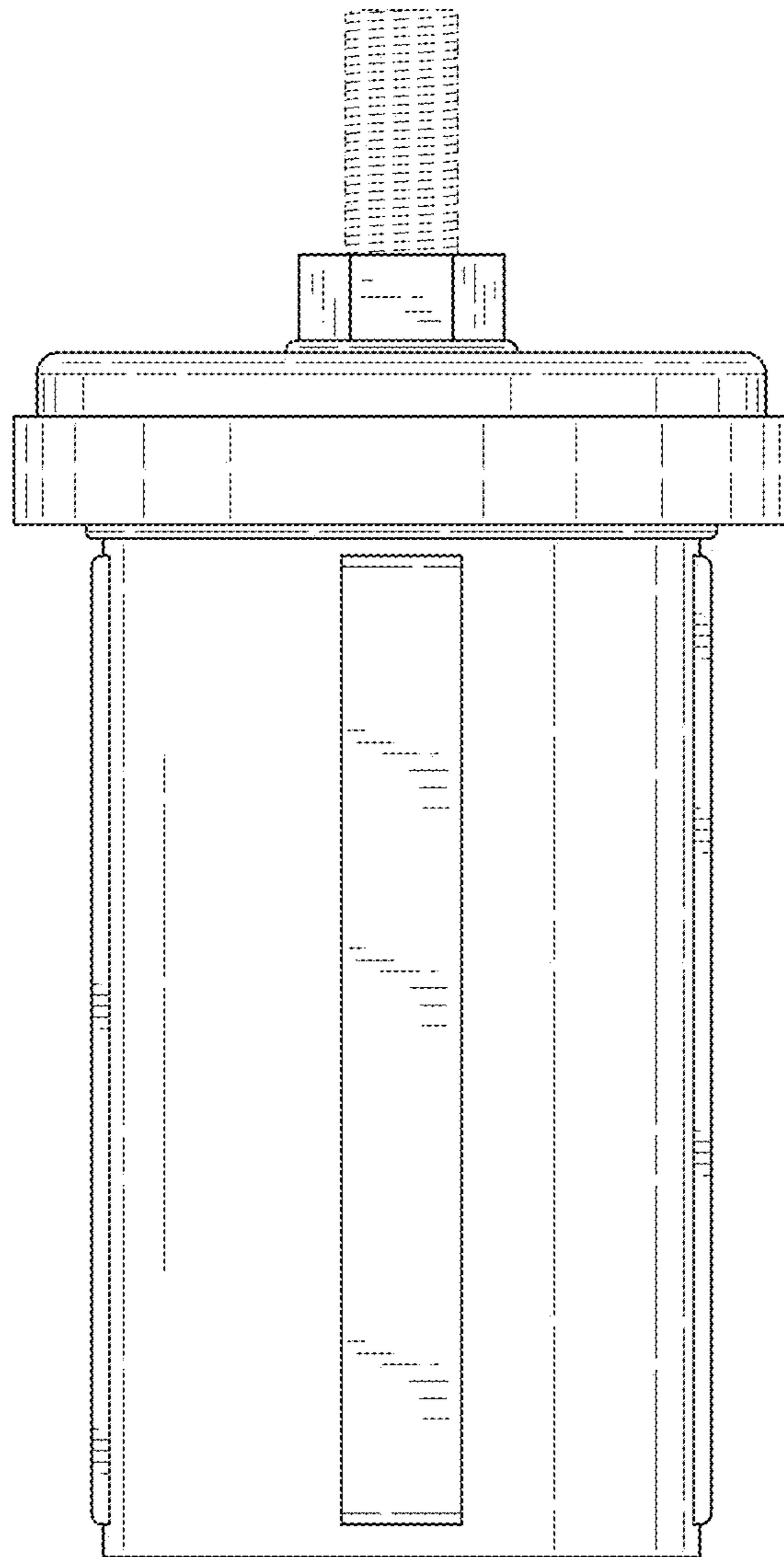


FIG.3

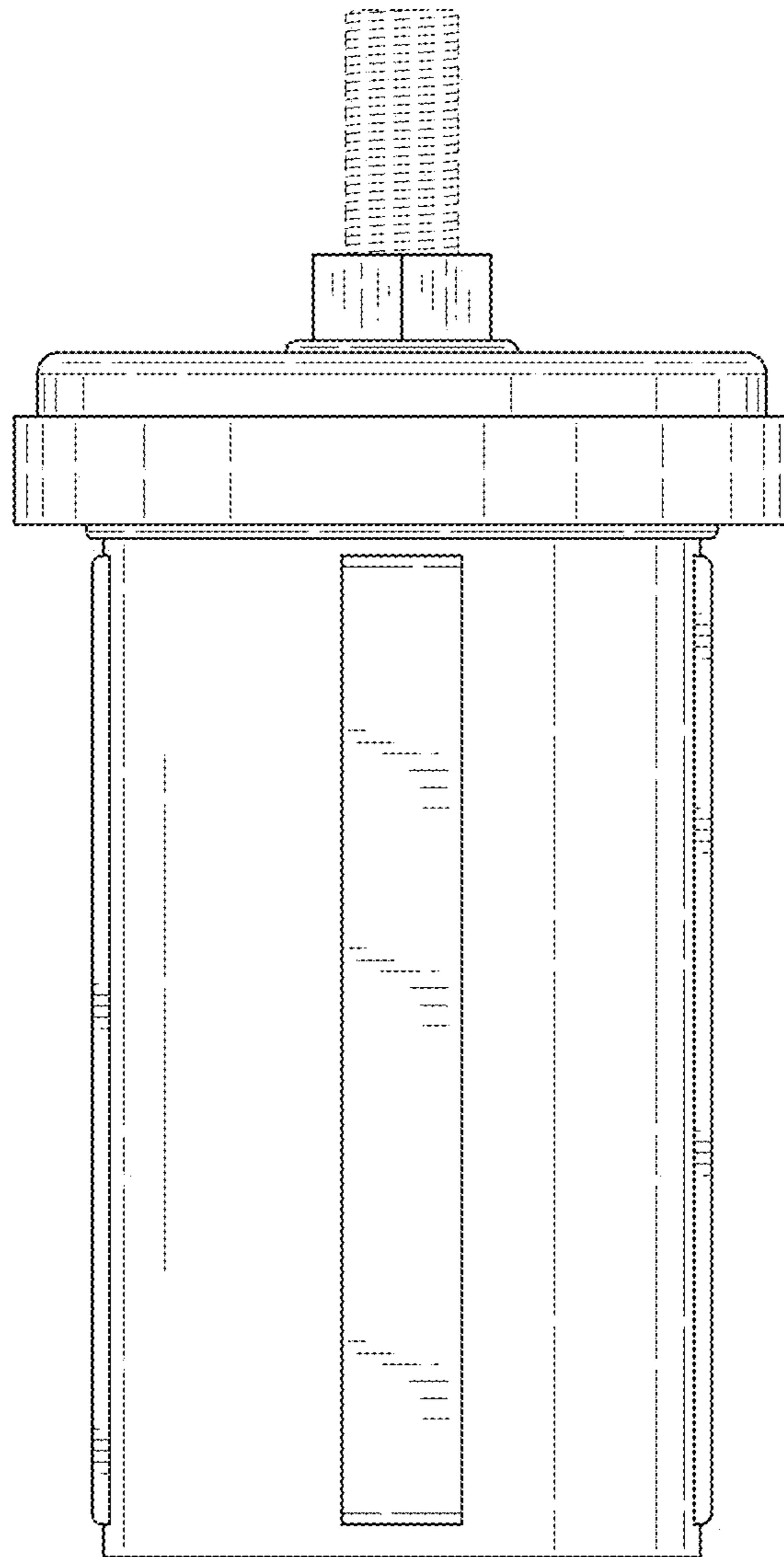


FIG.4

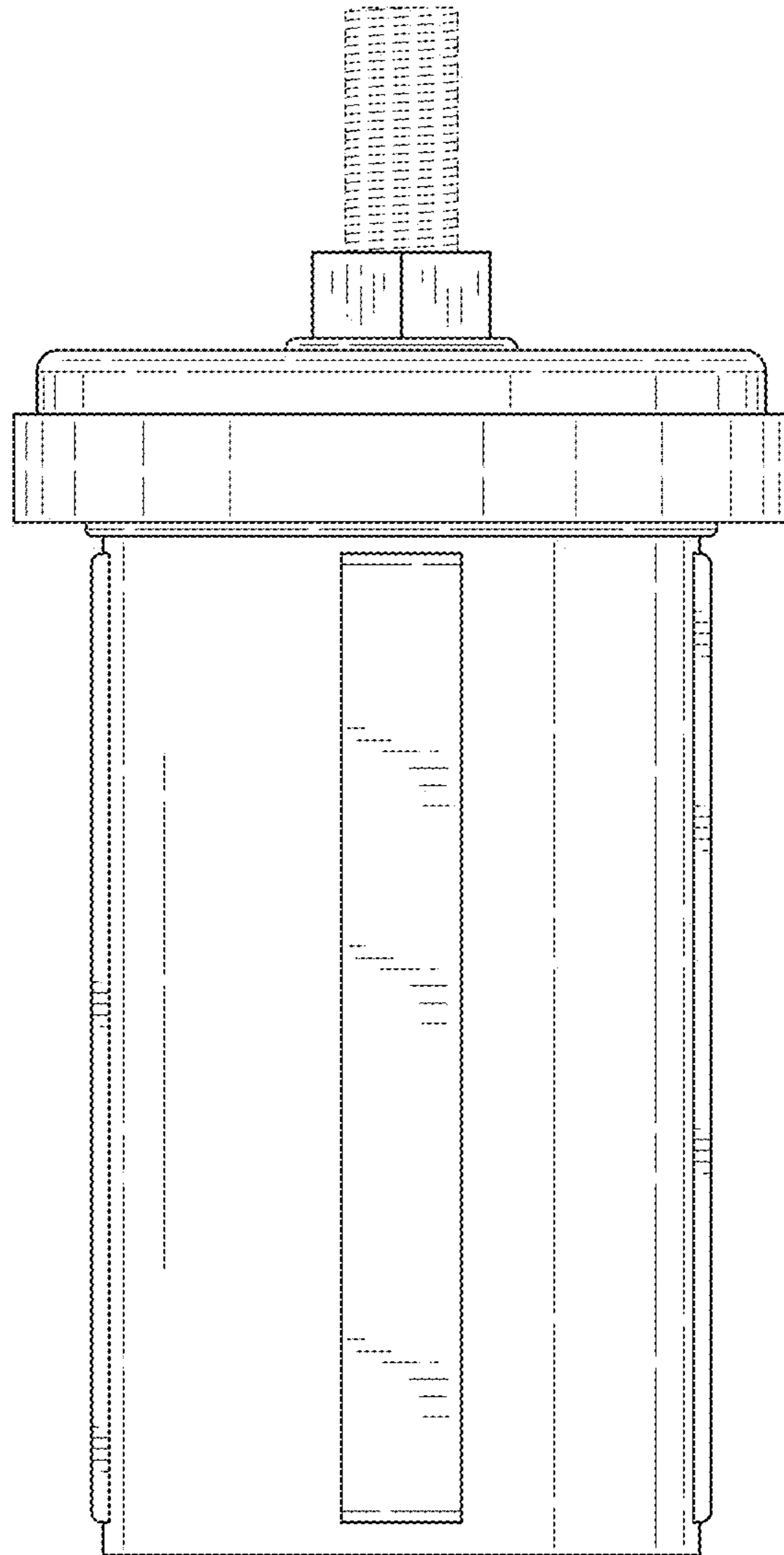


FIG.5

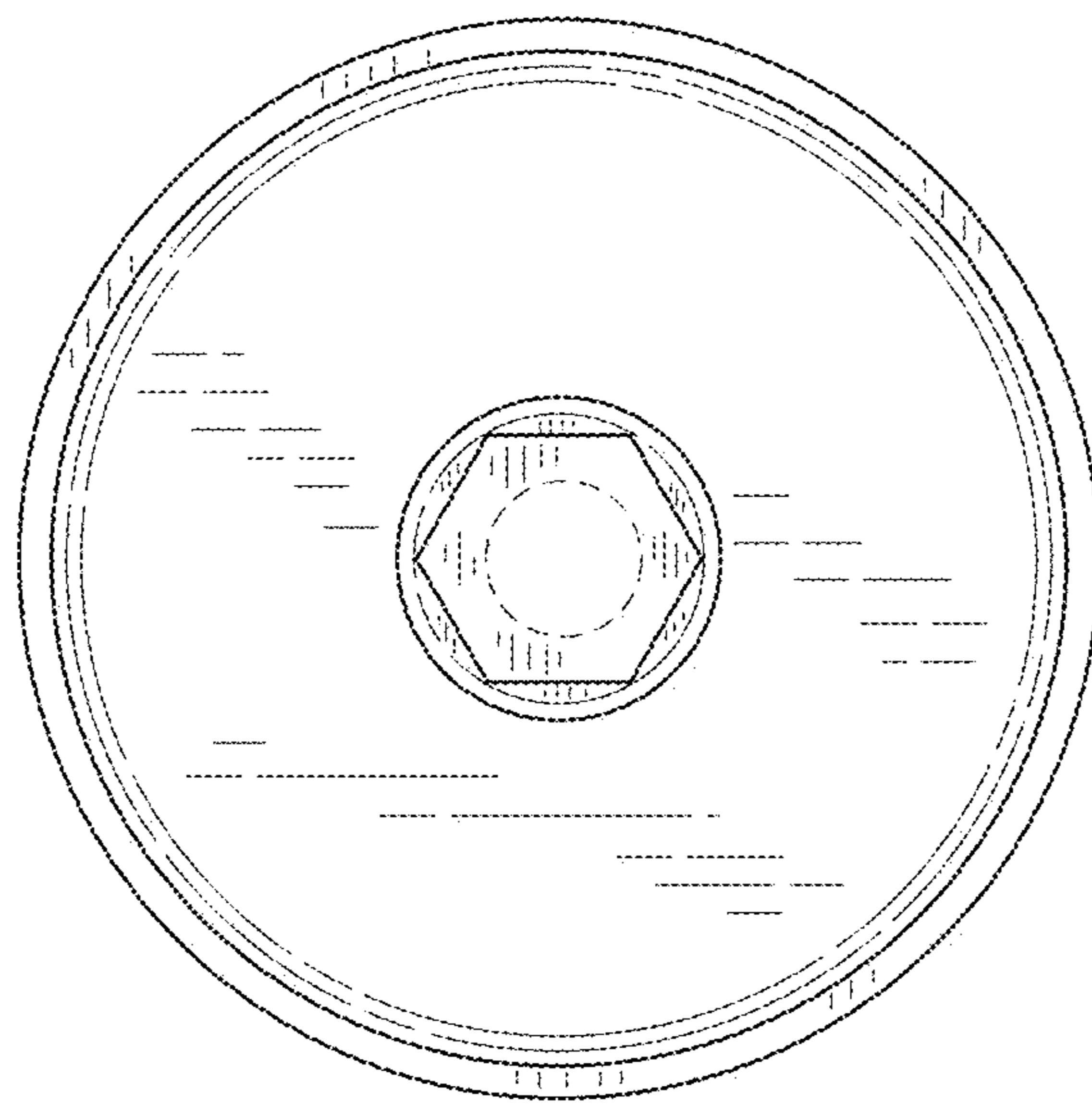


FIG.6

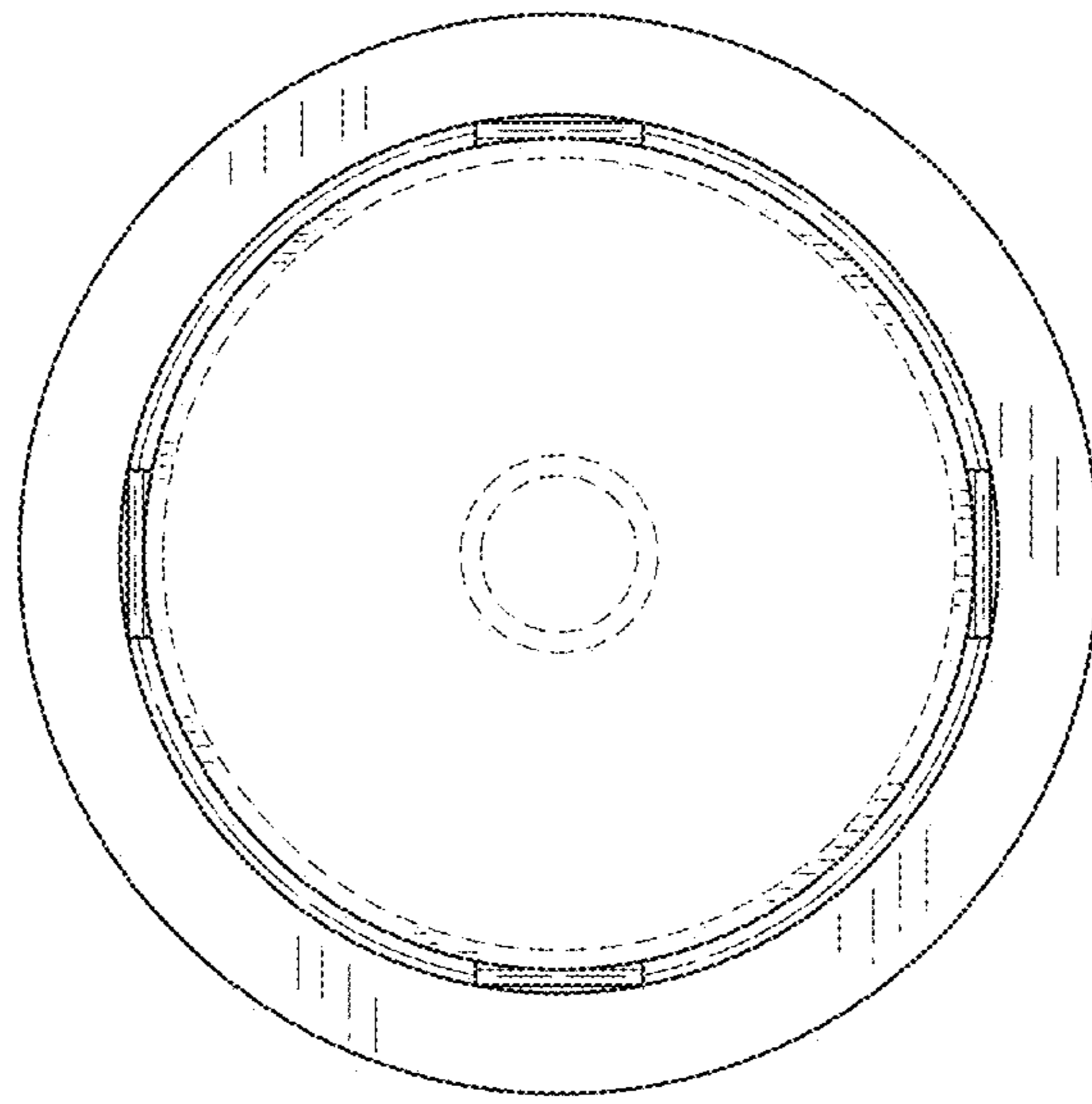


FIG.7



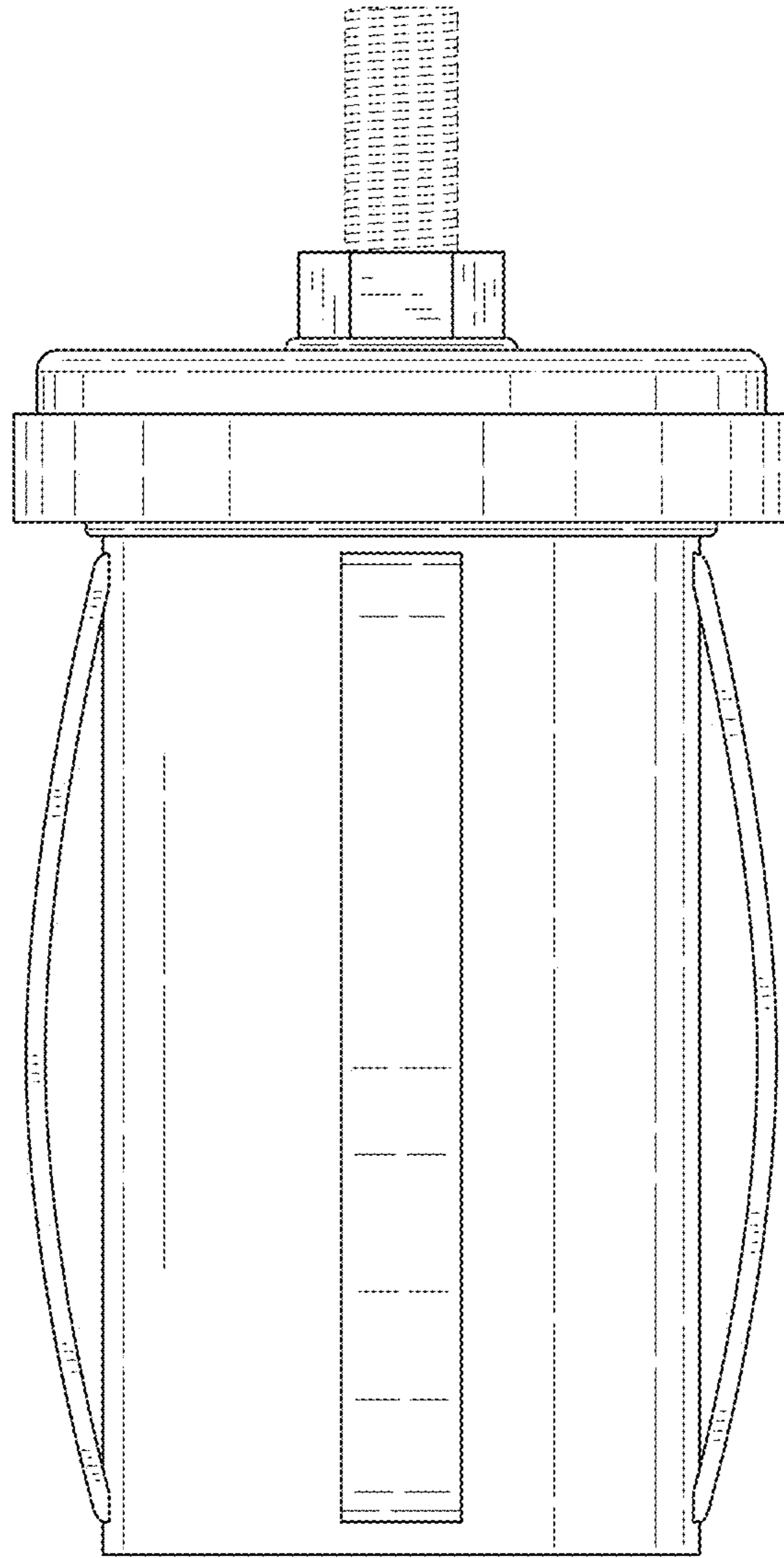


FIG.8

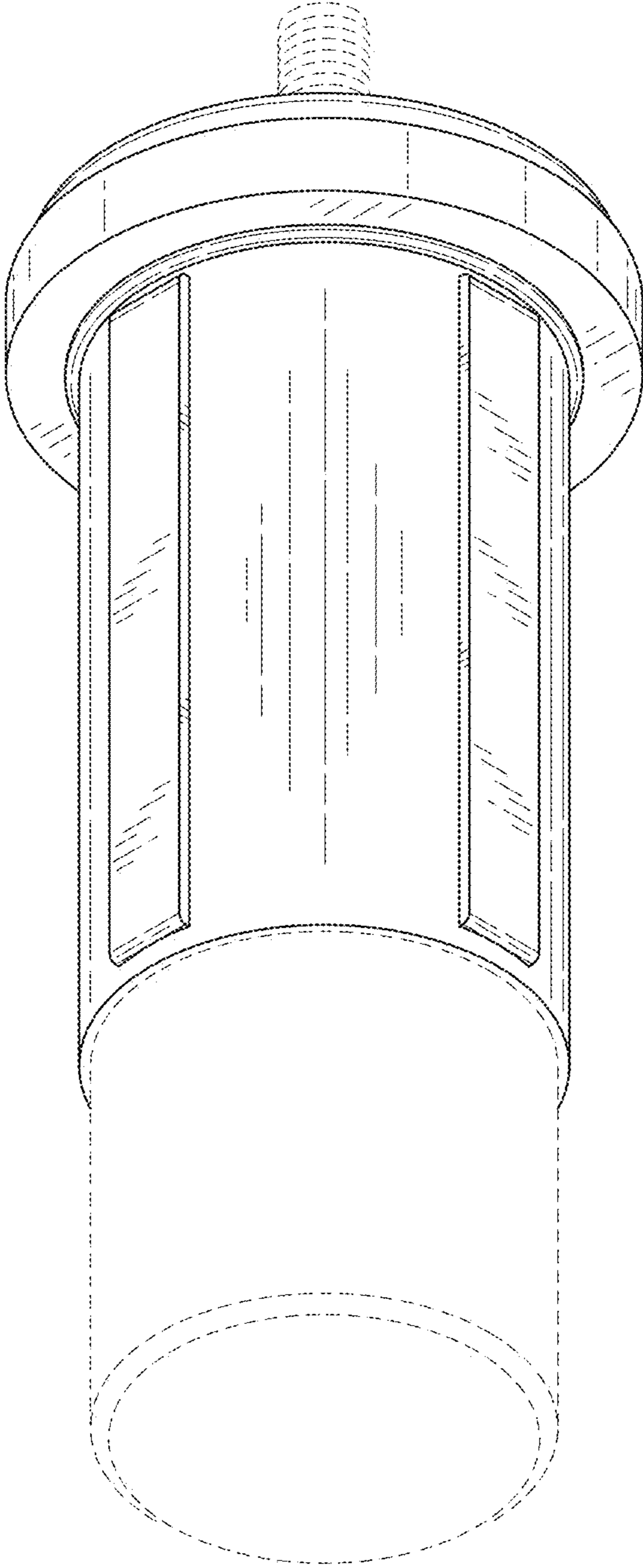


FIG.9