



US00D957355S

(12) **United States Design Patent**  
**Tuetken et al.**

(10) **Patent No.:** **US D957,355 S**  
(45) **Date of Patent:** **\*\* Jul. 12, 2022**

- (54) **OPERATOR HANDLE**
- (71) Applicant: **Pella Corporation**, Pella, IA (US)
- (72) Inventors: **Jennifer A. Tuetken**, Des Moines, IA (US); **Mark A. Hetrick**, Akeny, IA (US); **William R. Parcels**, Des Moines, IA (US)
- (73) Assignee: **Pella Corporation**, Pella, IA (US)
- (\*\*) Term: **15 Years**
- (21) Appl. No.: **29/765,285**
- (22) Filed: **Jan. 7, 2021**
- (51) **LOC (13) Cl.** ..... **13-03**
- (52) **U.S. Cl.**  
USPC ..... **D13/174; D8/343; D8/300**
- (58) **Field of Classification Search**  
USPC ..... D8/300–302, 303, 307, 308, 310, 311, D8/321, 339, 341, 343; D13/169, 170, D13/174  
CPC ... Y10T 292/57; Y10T 16/44; Y10T 16/4713; Y10T 292/865; Y10T 24/3969; Y10T 292/1021; Y10T 292/1028; Y10T 74/20426; E05B 1/0038; H01H 15/00; H01H 15/24; H01H 1/36; H01H 2221/014  
See application file for complete search history.

- (56) **References Cited**  
U.S. PATENT DOCUMENTS  
D51,241 S \* 9/1917 Rothenberg ..... D13/174  
D183,396 S \* 8/1958 Koch ..... D13/174  
D200,397 S \* 2/1965 Myers et al. .... D8/DIG. 1  
D225,204 S \* 11/1972 Marron ..... D8/311  
D233,821 S \* 12/1974 Dahl et al. .... D8/341  
D304,292 S \* 10/1989 Bobrowski ..... D8/352  
D333,124 S \* 2/1993 Carson ..... D13/169  
D345,344 S \* 3/1994 Schaeffer ..... D13/170

D380,137 S *	6/1997	Carlson	.....	D8/343
D380,370 S *	7/1997	Carlson	.....	D8/343
5,927,018 A *	7/1999	Thain	.....	E05B 53/001 49/460
D415,472 S *	10/1999	Kelso	.....	D13/170
6,118,088 A *	9/2000	Thielman	.....	H01H 9/286 200/321
D454,120 S *	3/2002	Sadowski	.....	D13/174
6,380,500 B1 *	4/2002	Lin	.....	H01H 23/065 200/302.1
D457,863 S *	5/2002	Jacoby	.....	D13/170
D500,990 S *	1/2005	Gorman	.....	D13/174
D520,341 S *	5/2006	Eenigenburg	.....	D8/343
D630,594 S *	1/2011	Samuels	.....	D13/174
D709,838 S *	7/2014	Peltola	.....	D13/177
9,412,526 B2 *	8/2016	Goto	.....	H01H 3/02
D779,910 S *	2/2017	Paquette	.....	D8/343
D845,752 S *	4/2019	Parish-Allaire	.....	D8/404
2002/0088700 A1 *	7/2002	Banfield	.....	H01H 15/107 200/573
2007/0200366 A1 *	8/2007	Rozo	.....	E05B 41/00 292/336.3

(Continued)

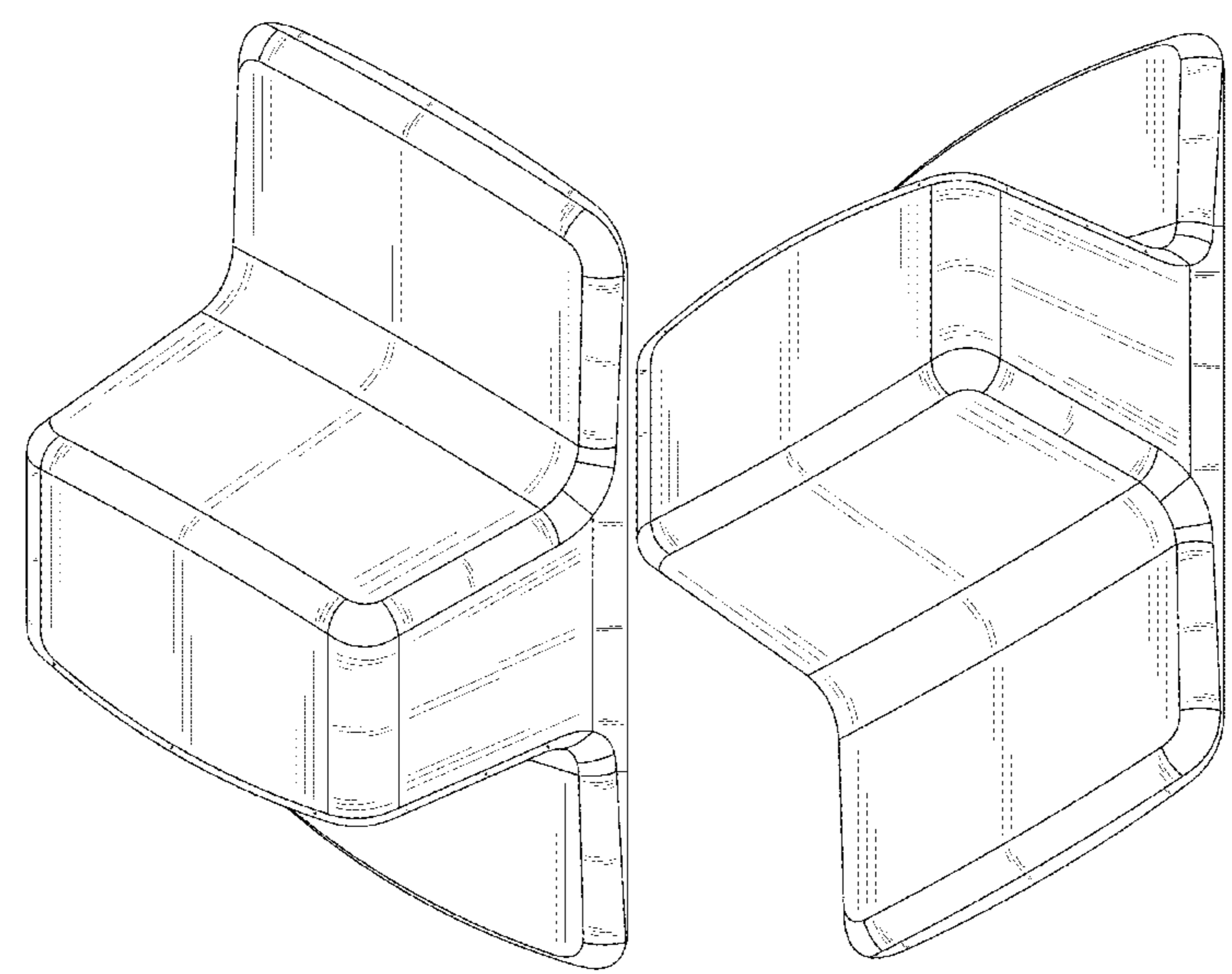
*Primary Examiner* — Lauren R Calve  
(74) *Attorney, Agent, or Firm* — Faegre Drinker Biddle & Reath LLP

(57) **CLAIM**  
The ornamental design for an operator handle, as shown and described.

**DESCRIPTION**

FIG. 1 is a front and top perspective view of an operator handle, embodying our new design;  
FIG. 2 is a front and bottom perspective view thereof;  
FIG. 3 is a front elevational view thereof;  
FIG. 4 is a rear elevational view thereof;  
FIG. 5 is a back elevational view thereof;  
FIG. 6 is a left side elevational view thereof;  
FIG. 7 is a top plan view thereof; and,  
FIG. 8 is a bottom plan view thereof.

**1 Claim, 8 Drawing Sheets**



(56)

**References Cited**

U.S. PATENT DOCUMENTS

2016/0230415 A1\* 8/2016 Parish-Allaire ..... E05B 15/1607

\* cited by examiner

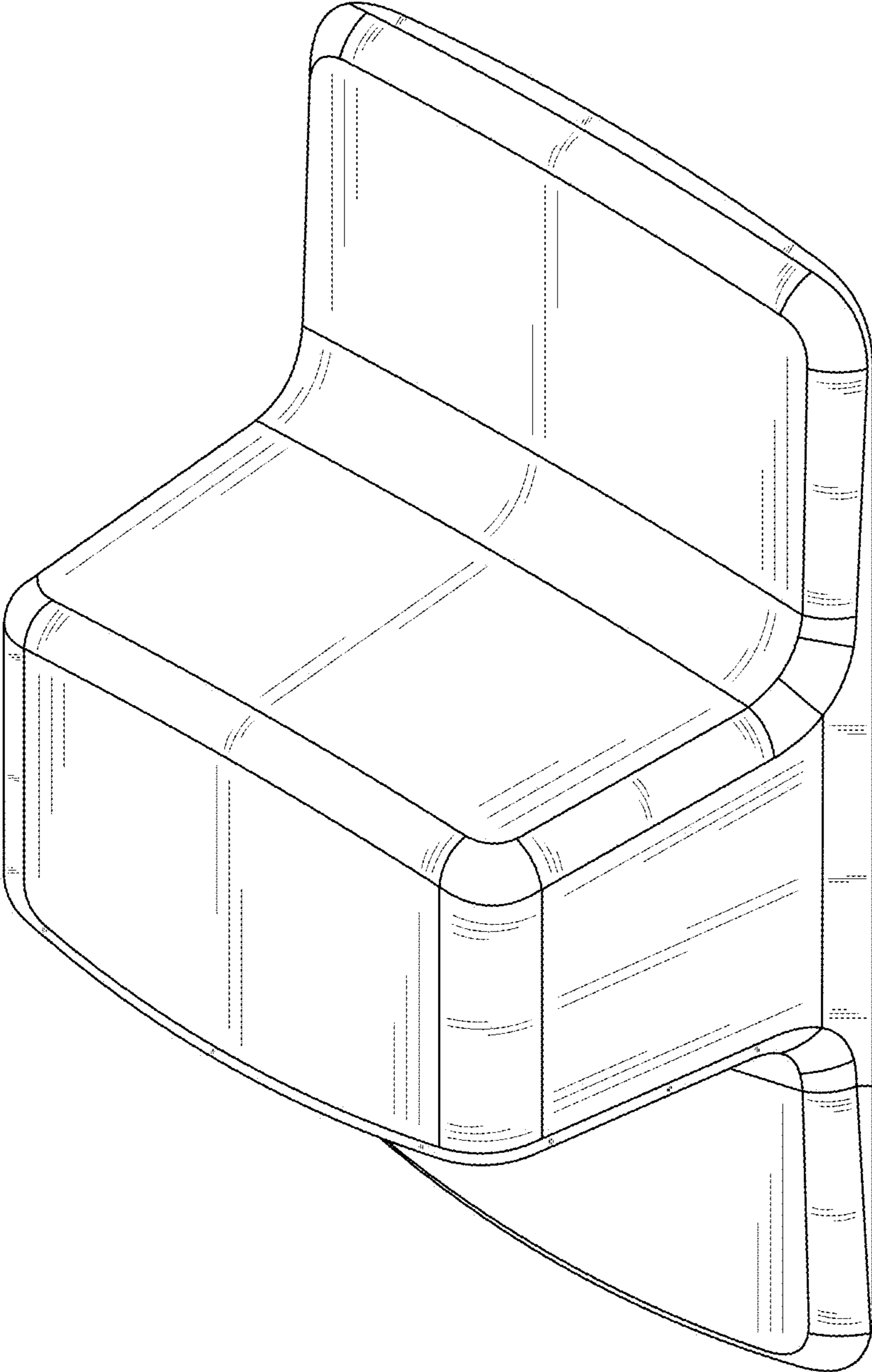


FIG. 1

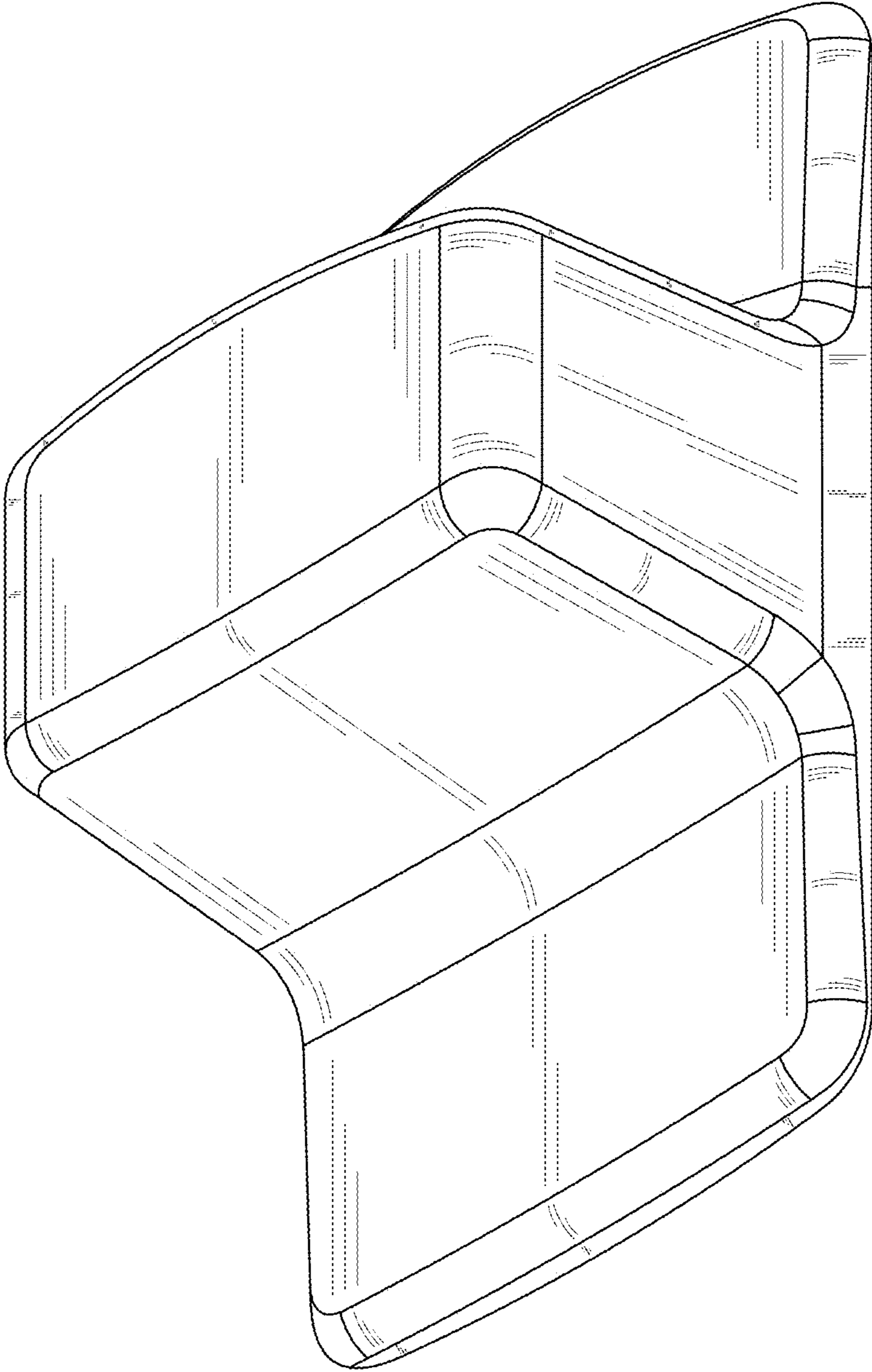


FIG. 2

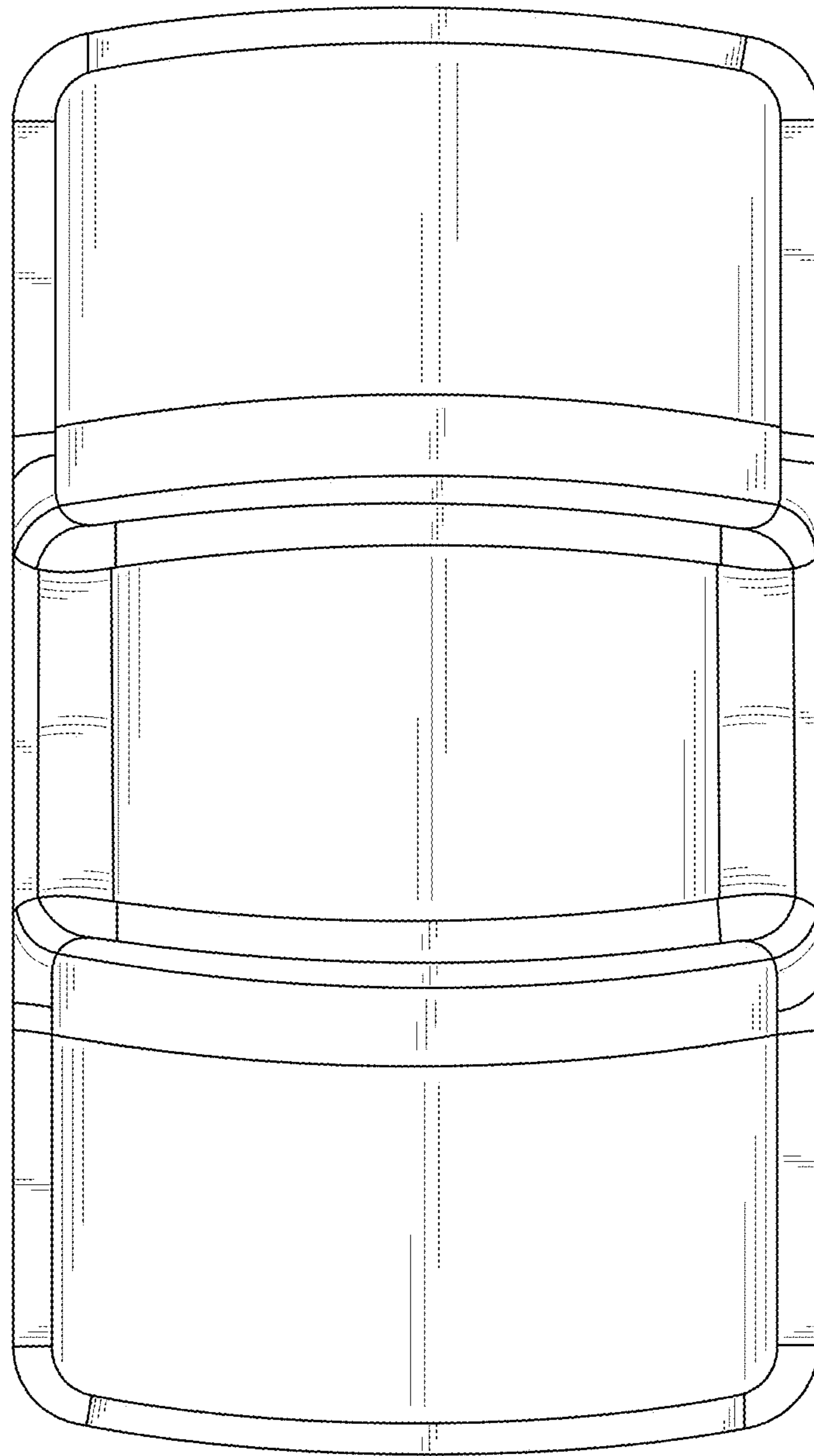


FIG. 3

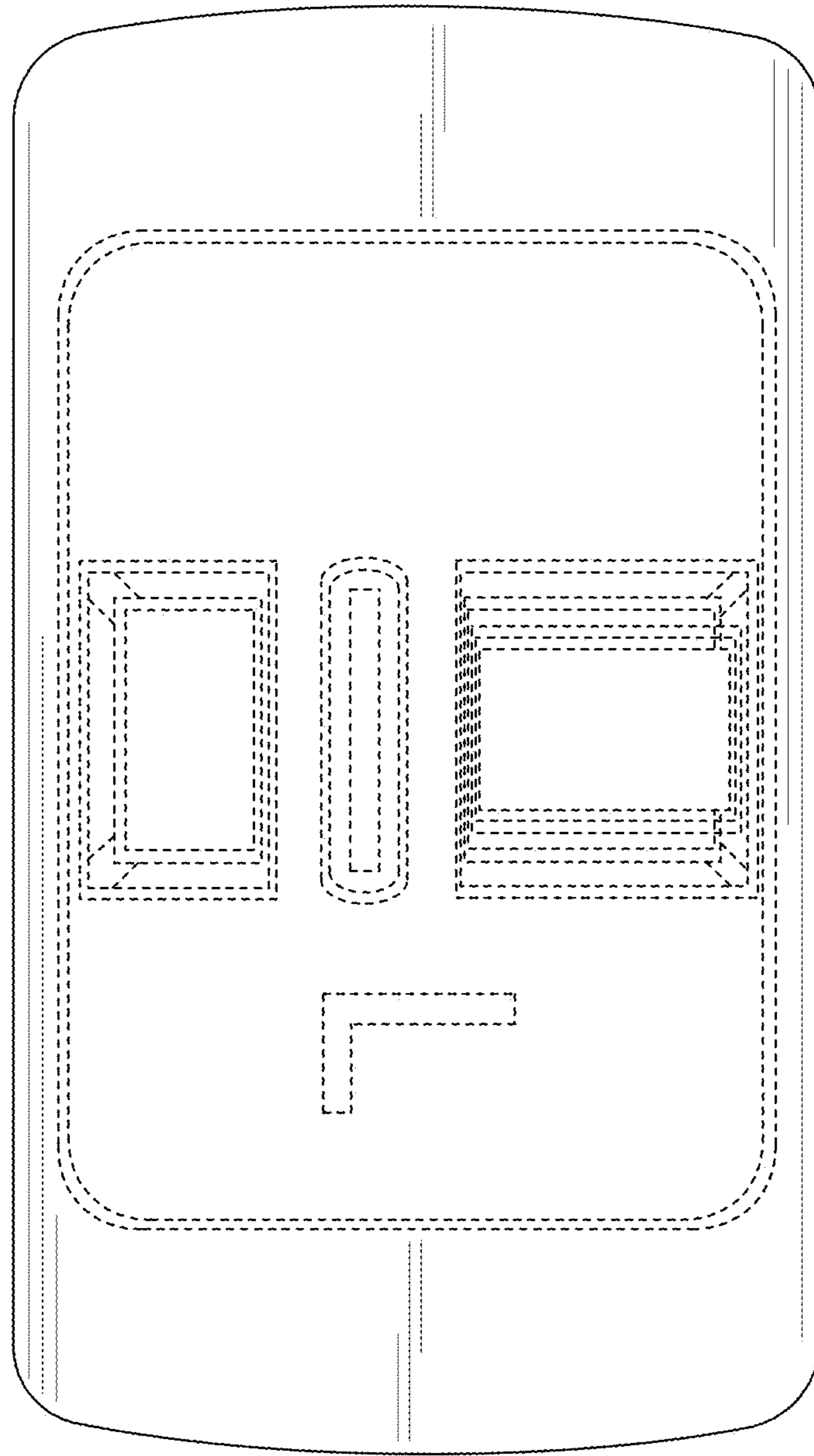


FIG. 4

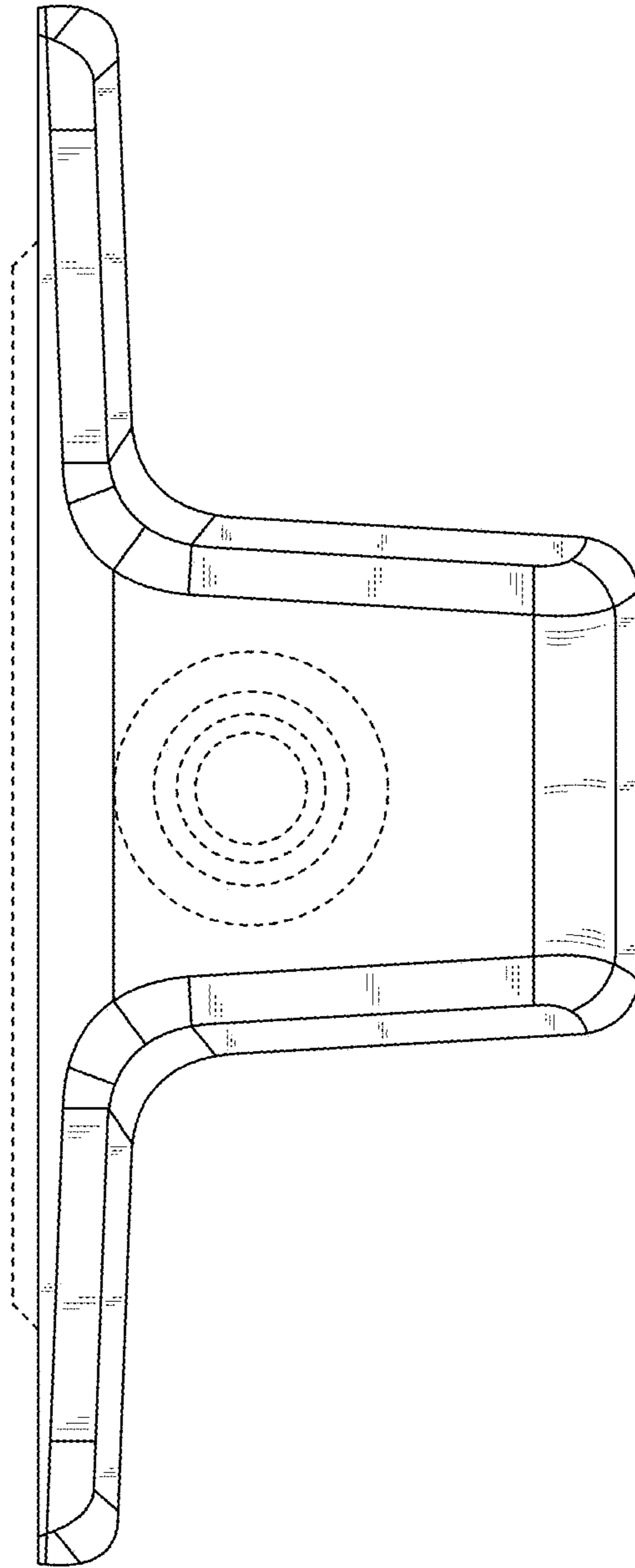


FIG. 5

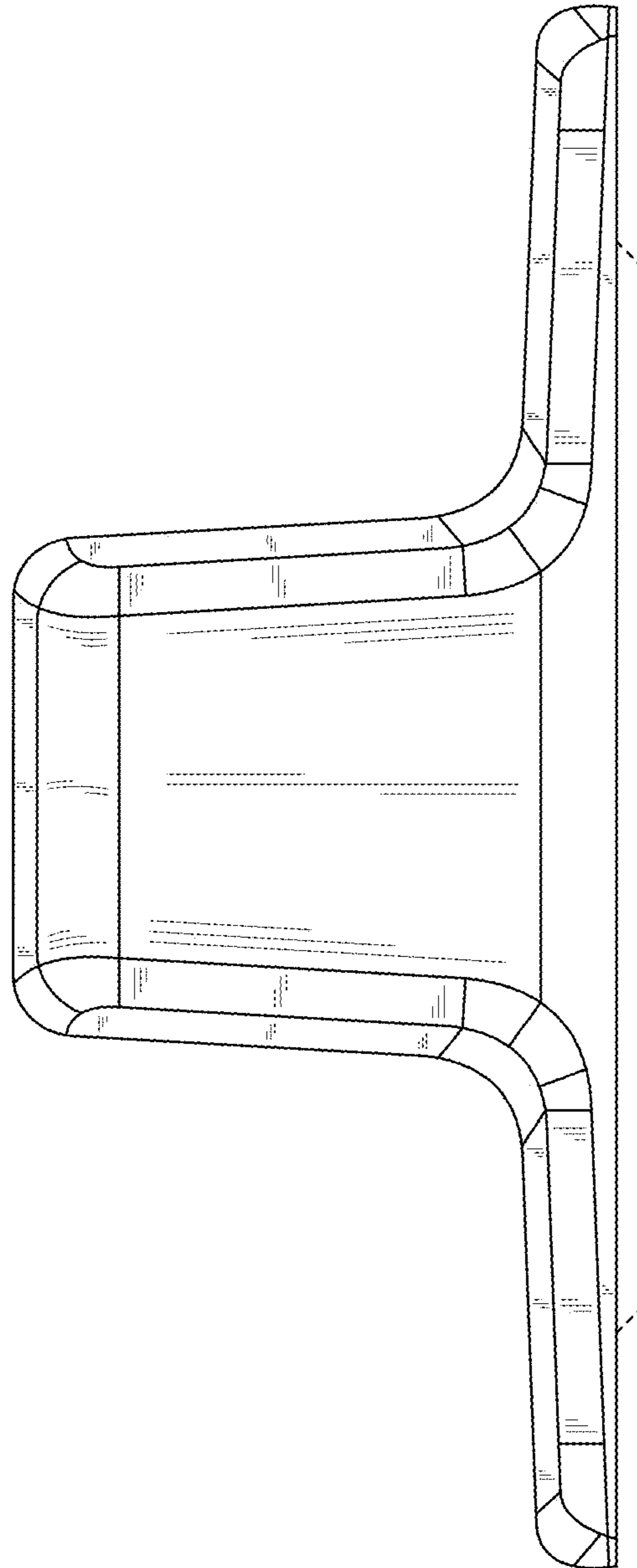


FIG. 6



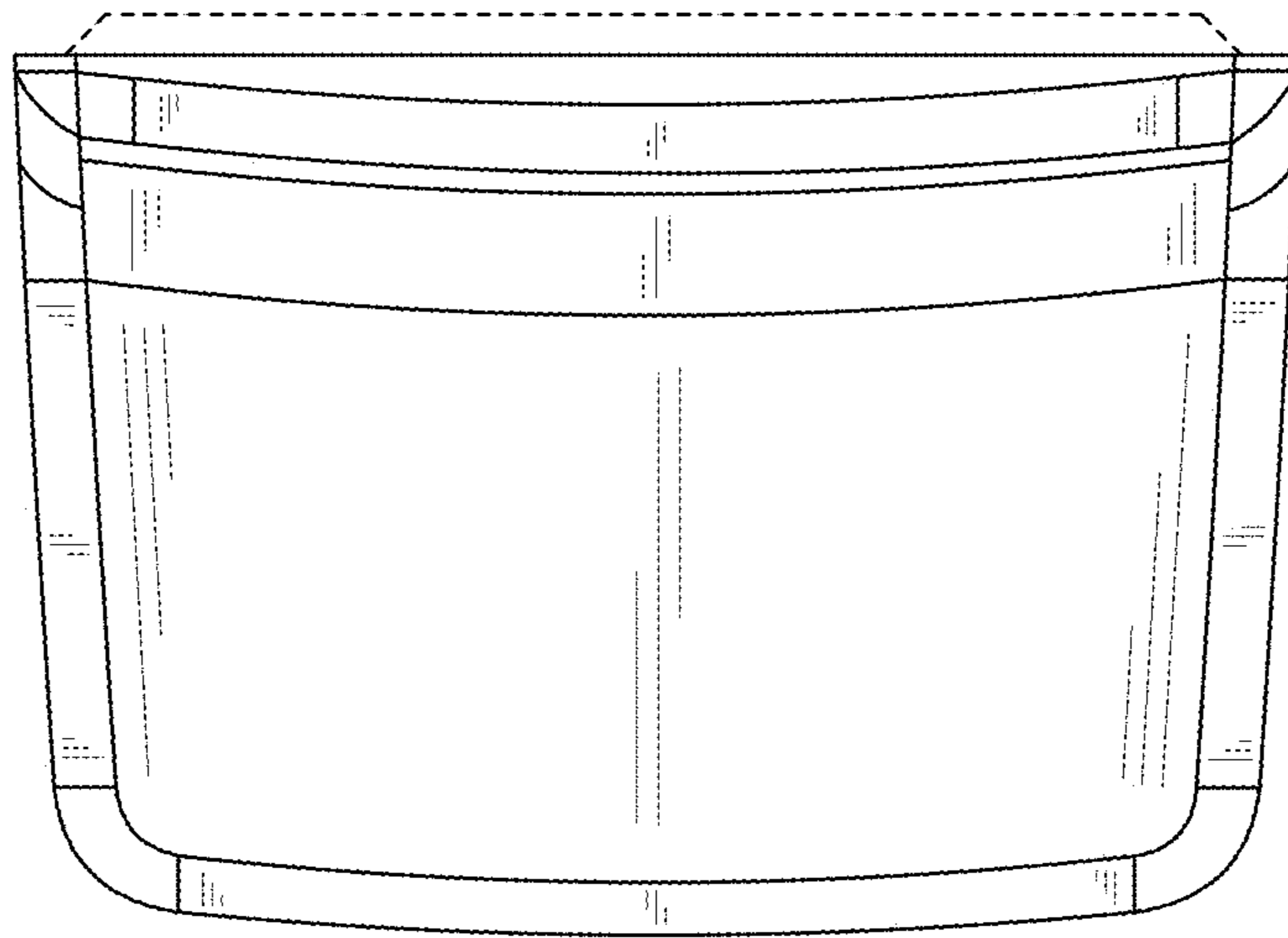


FIG. 7

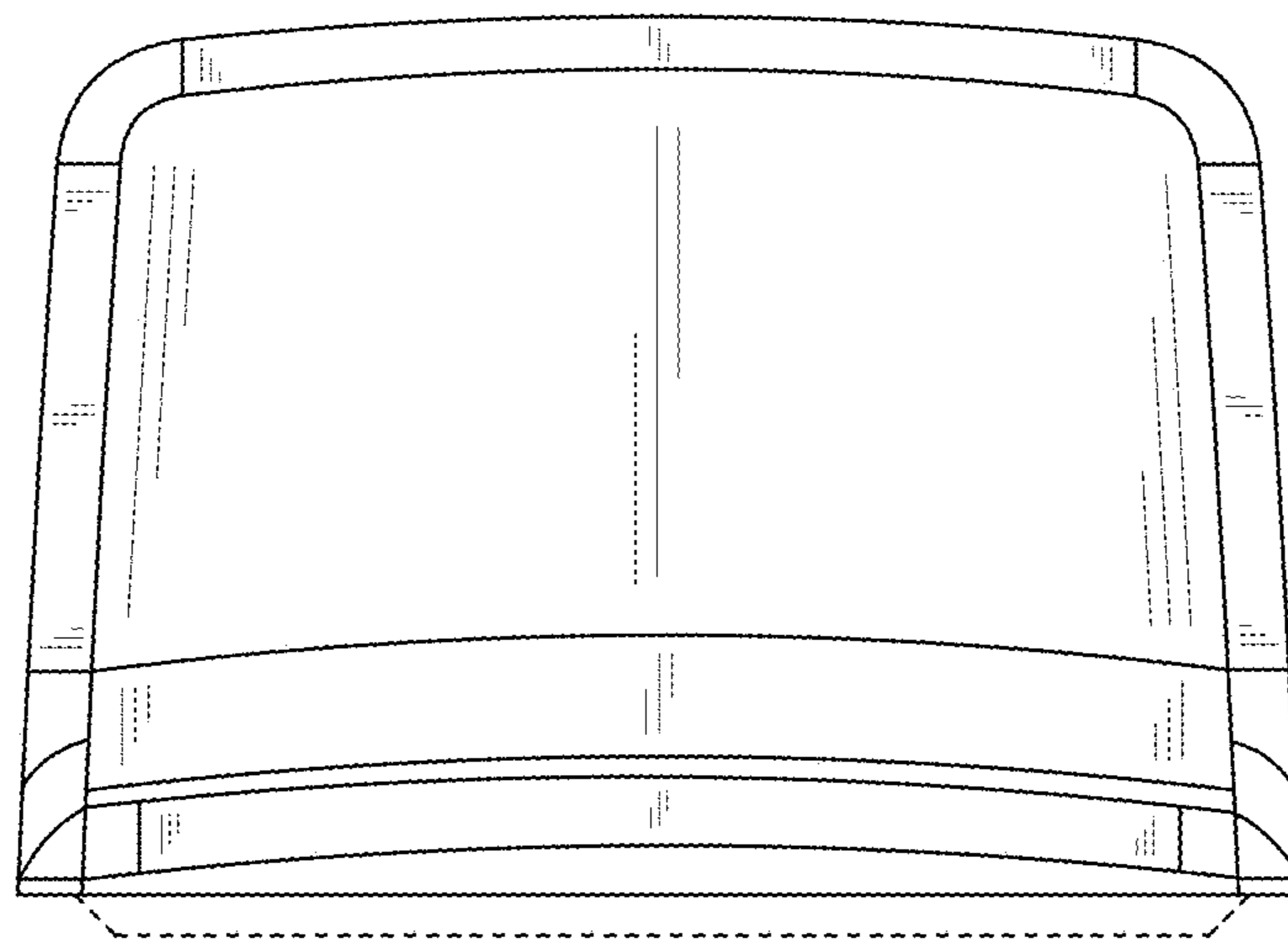


FIG. 8