



US00D957353S

(12) **United States Design Patent**  
**Zhang**

(10) **Patent No.:** **US D957,353 S**

(45) **Date of Patent:** **\*\* Jul. 12, 2022**

(54) **SWITCH FOR LIGHT BULB HOLDER**

7,515,421 B2 \* 4/2009 Apfelbacher ..... H05K 5/0204  
361/688

(71) Applicant: **Derek Zhang**, Ningbo (CN)

D728,480 S \* 5/2015 Chang ..... D13/134

D758,321 S \* 6/2016 Byrne ..... D13/156

(72) Inventor: **Derek Zhang**, Ningbo (CN)

D784,306 S \* 4/2017 Fujii ..... D14/240

D807,865 S \* 1/2018 He ..... D14/238

D821,982 S \* 7/2018 Fujii ..... D13/158

(73) Assignee: **NINIGBO ADDLUX ELECTRIC CO., LTD.**, Ningbo (CN)

**FOREIGN PATENT DOCUMENTS**

(\*\*) Term: **15 Years**

EP 862249 A1 \* 9/1998

JP 10340652 A \* 12/1998

(21) Appl. No.: **29/737,249**

JP 2001217039 A \* 8/2001

JP 2003302675 A \* 10/2003

(22) Filed: **Jun. 8, 2020**

\* cited by examiner

(51) **LOC (13) Cl.** ..... **13-03**

*Primary Examiner* — Shawn T Gingrich

(52) **U.S. Cl.**

(74) *Attorney, Agent, or Firm* — Georgi Korobanov

USPC ..... **D13/158**; D13/173; D13/199

(58) **Field of Classification Search**

(57) **CLAIM**

USPC ..... D13/123, 133, 134, 158–162, 173, 178,  
D13/184, 199

The ornamental design for a switch for light bulb holder, as shown and described.

CPC ..... F21S 4/00; F21S 8/00; H01H 5/18; H01H  
13/18; H01R 13/658; H05K 5/03; H05K  
7/20

**DESCRIPTION**

See application file for complete search history.

FIG. 1 is a perspective view of a switch for light bulb holder showing my new design;

FIG. 2 is a front elevational view thereof;

FIG. 3 is a top plan view thereof;

FIG. 4 is a left side elevational view thereof;

FIG. 5 is a rear elevational view thereof;

FIG. 6 is a right side view thereof; and,

FIG. 7 is a bottom plan view thereof.

The broken line portions of the figure drawings is included to show portions of the switch for light bulb holder that form no part of the claimed design.

(56) **References Cited**

**U.S. PATENT DOCUMENTS**

4,603,242 A \* 7/1986 Atsumi ..... H01H 13/36  
200/181

D331,222 S \* 11/1992 Van Riper ..... D13/134

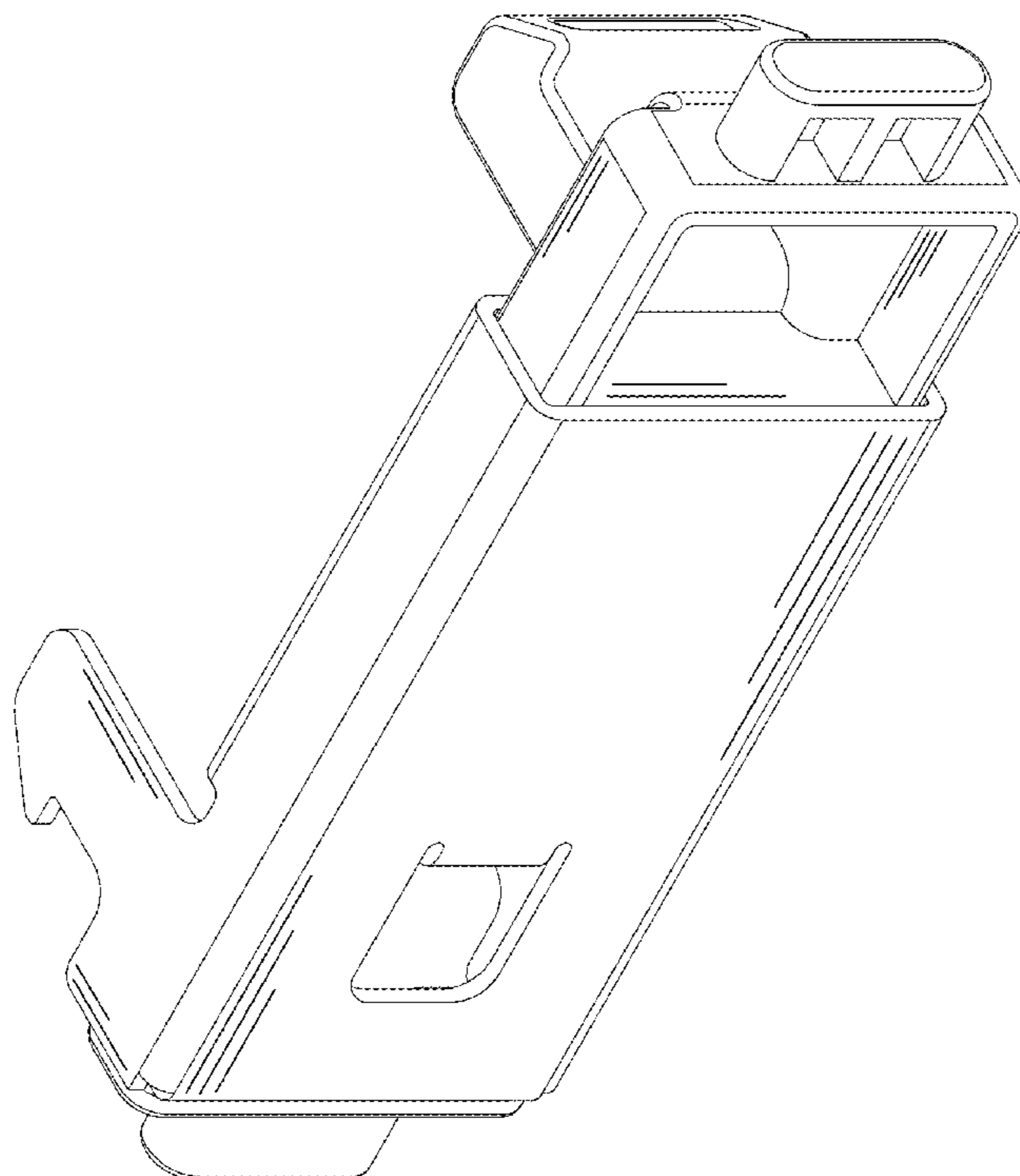
D365,804 S \* 1/1996 Klaus ..... D13/160

5,811,744 A \* 9/1998 Bartha ..... H01H 1/5805  
200/283

D425,768 S \* 5/2000 Staley ..... D8/14

D476,952 S \* 7/2003 Masaki ..... D13/147

**1 Claim, 7 Drawing Sheets**



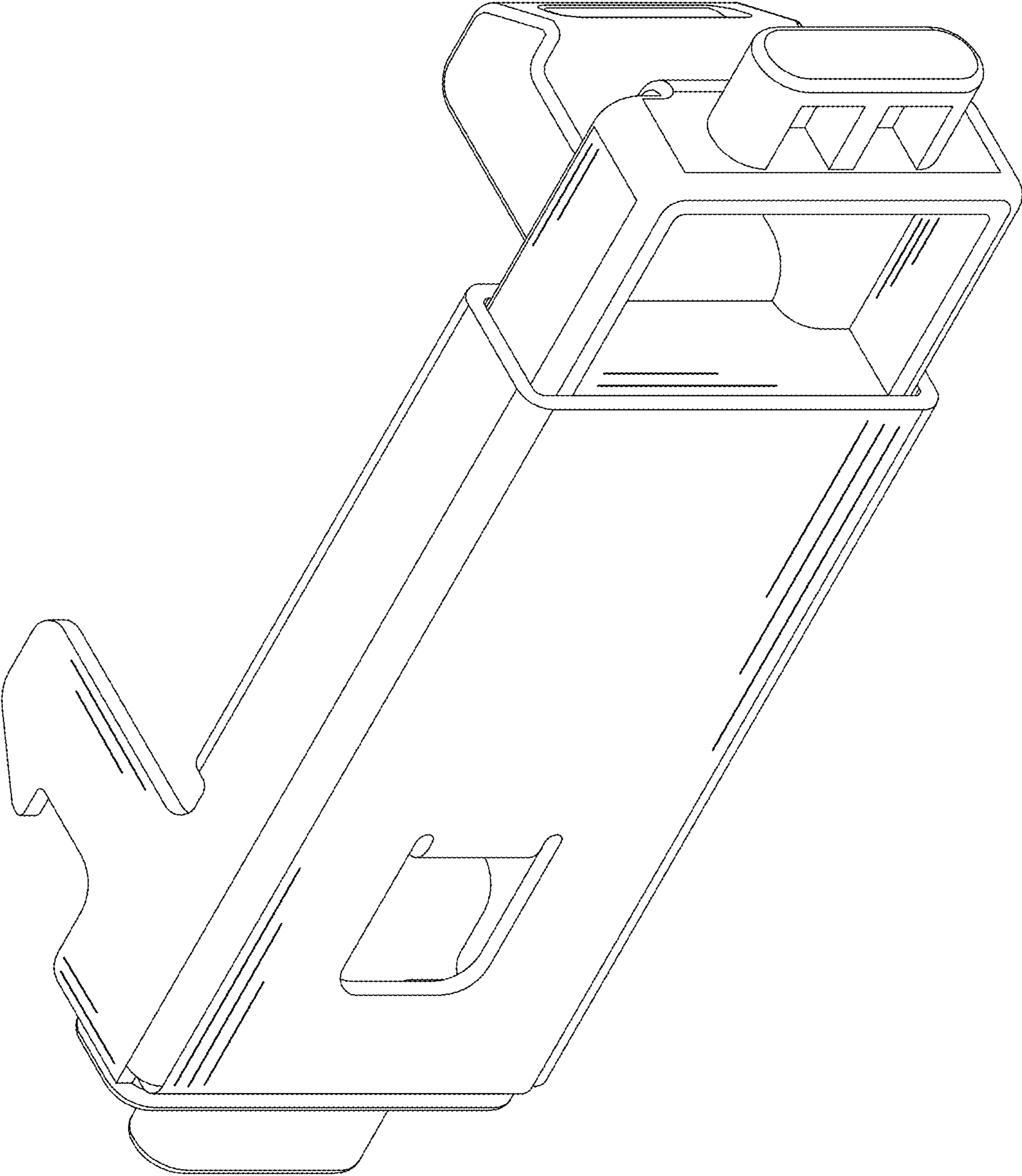


FIG. 1

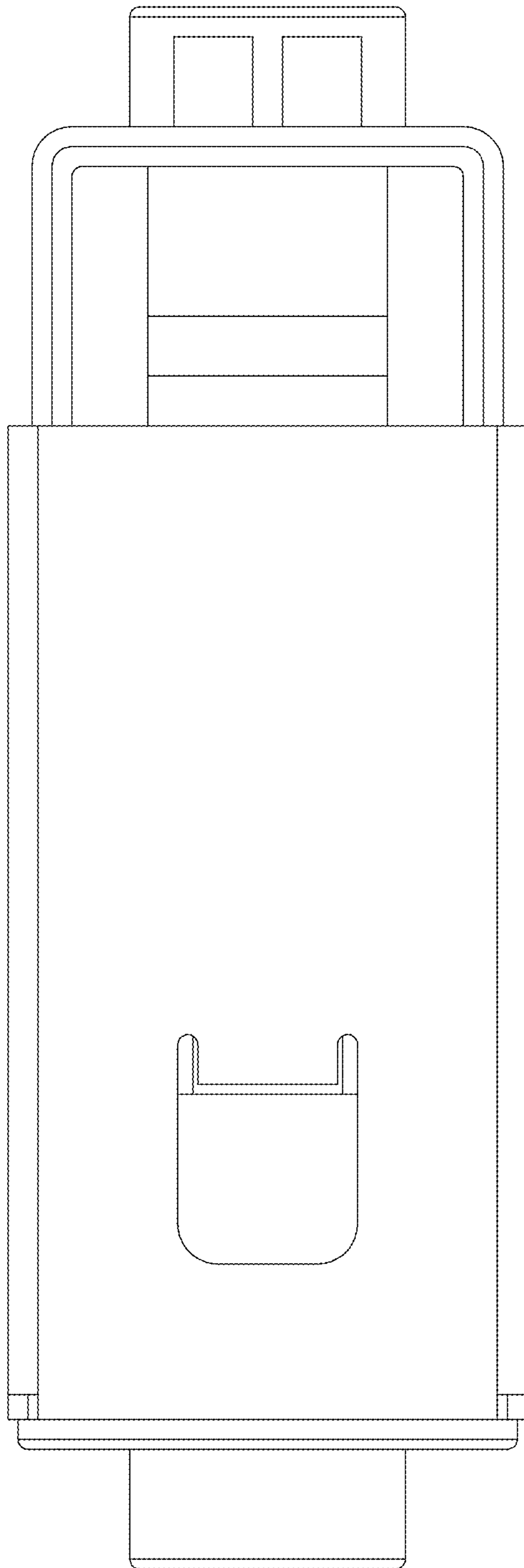


FIG. 2

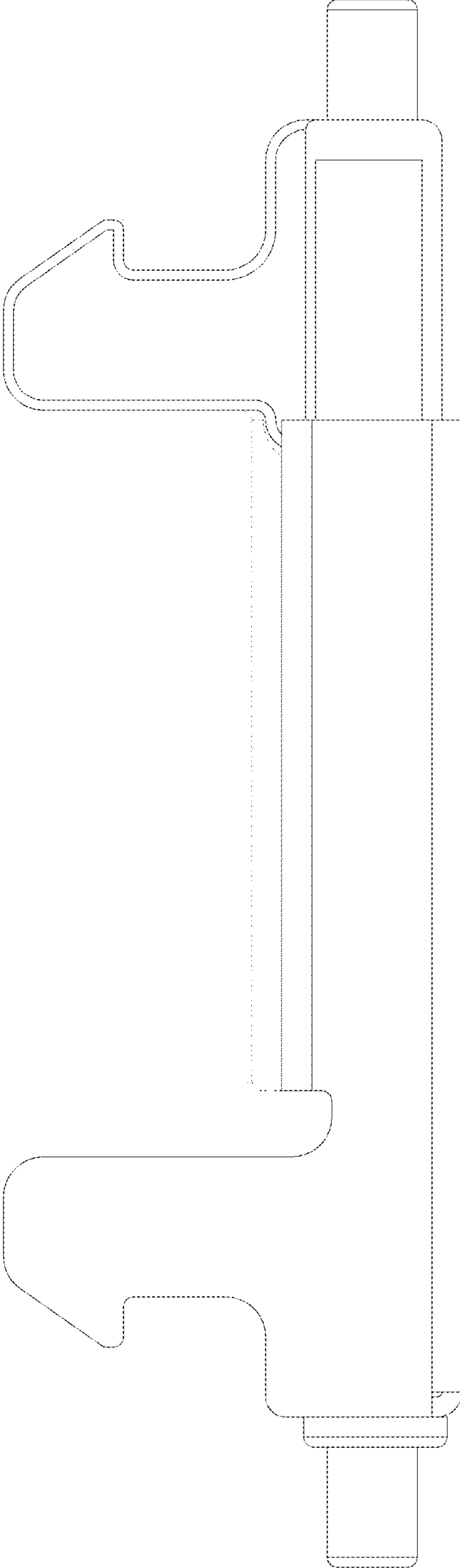


FIG. 3

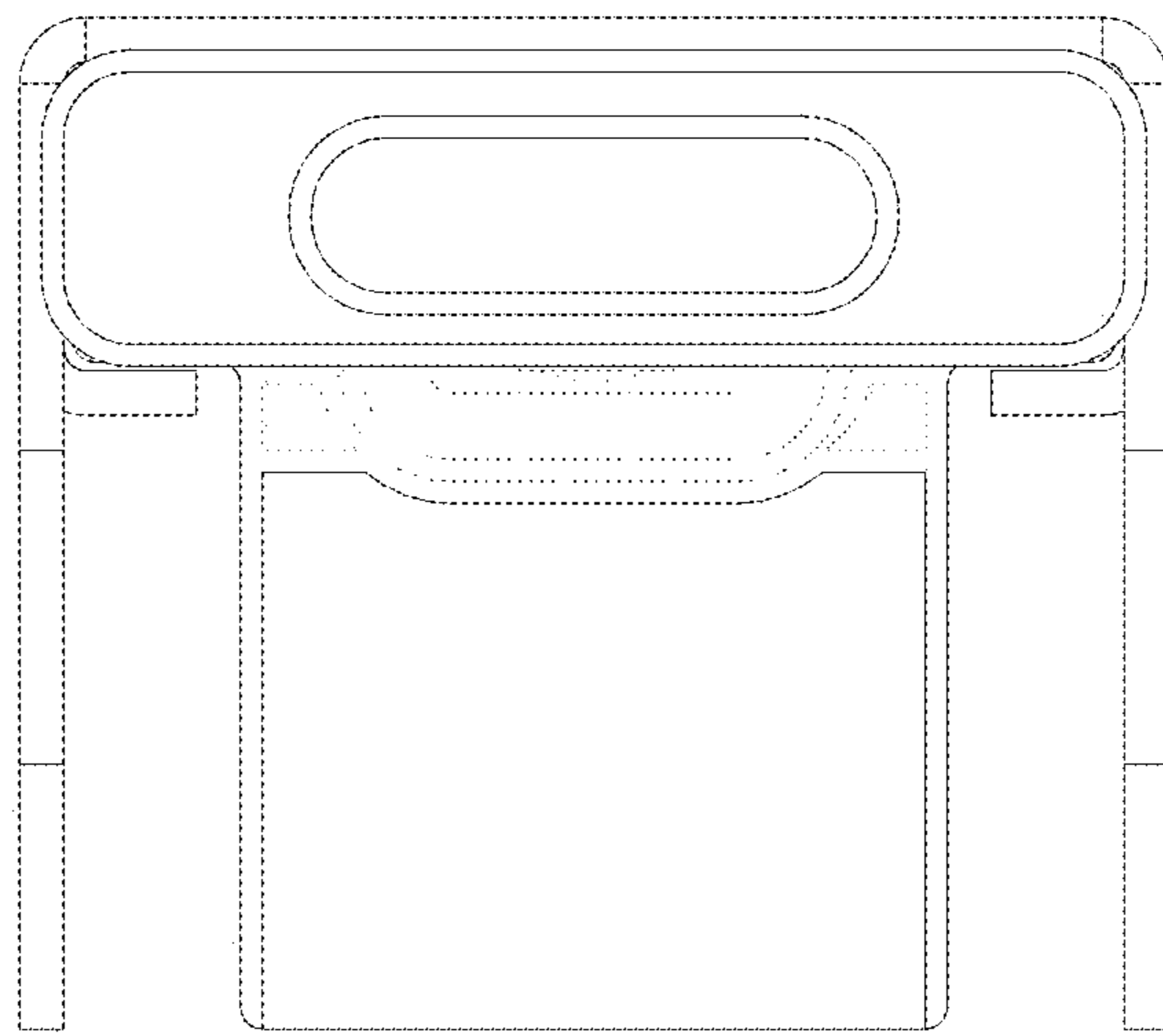


FIG. 4

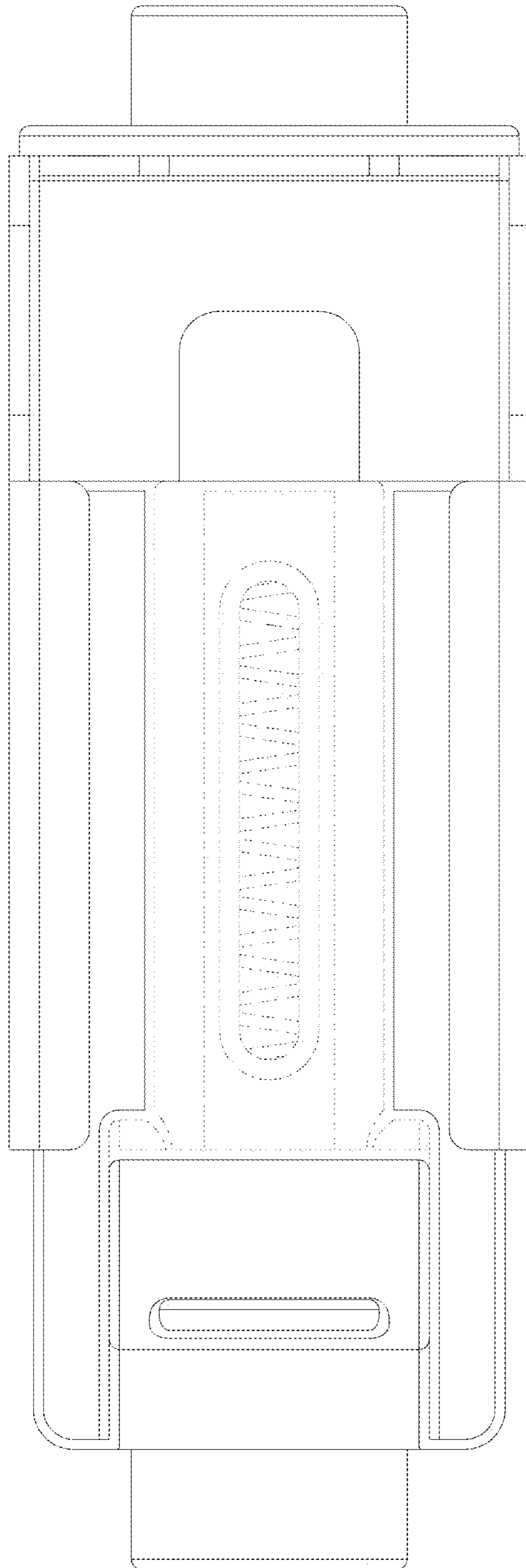


FIG. 5

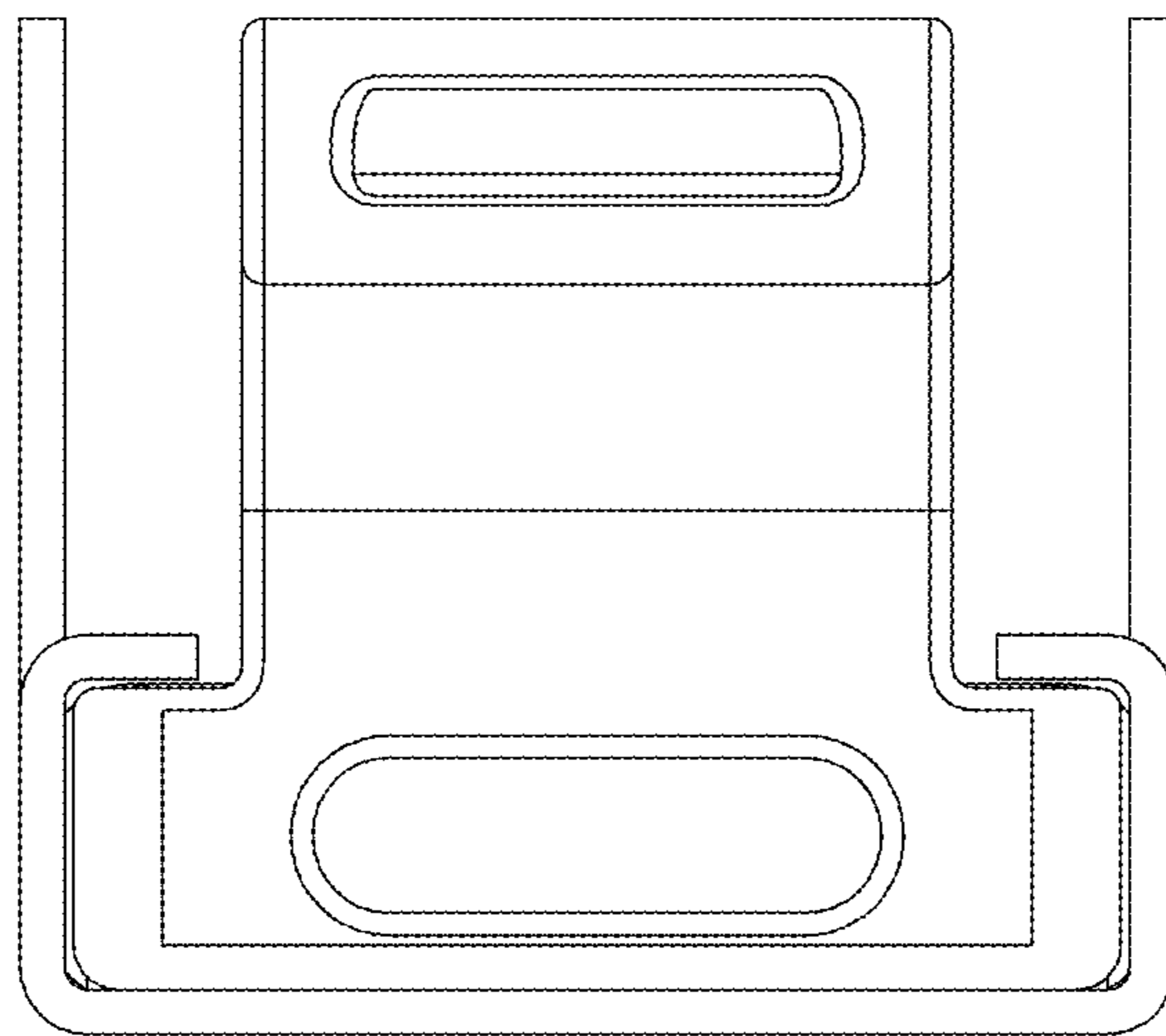


FIG. 6

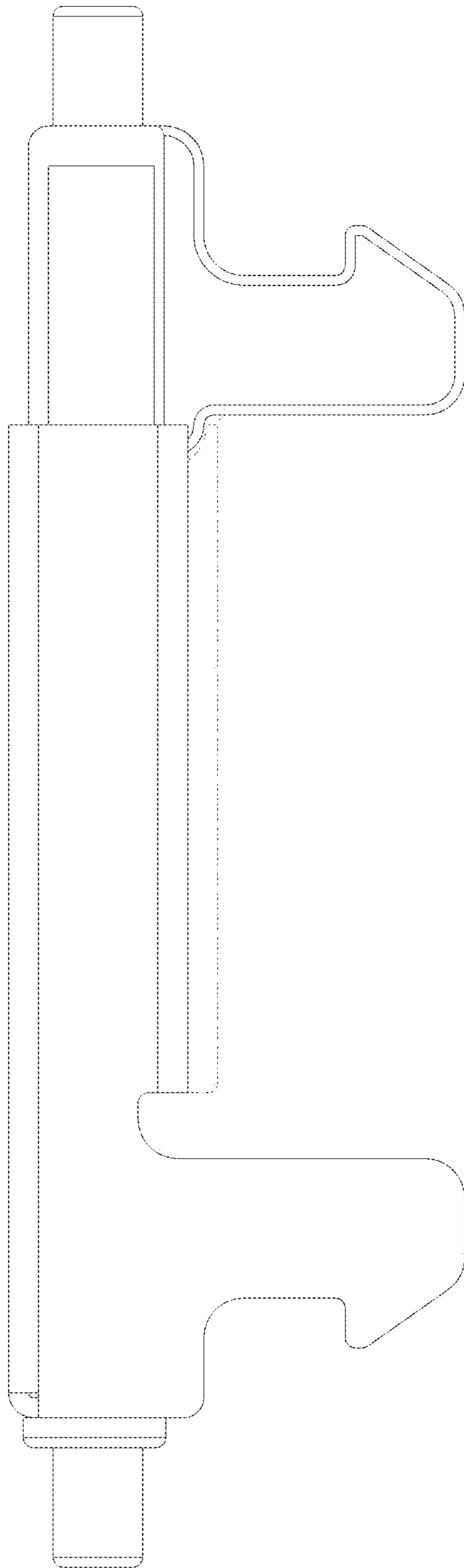


FIG. 7