



US00D957351S

(12) **United States Design Patent** (10) **Patent No.:** **US D957,351 S**
Mack et al. (45) **Date of Patent:** **** Jul. 12, 2022**

(54) **STRAIN RELIEF**

FOREIGN PATENT DOCUMENTS

(71) Applicant: **BFLY Operations, Inc.**, Guilford, CT (US)

CN 305760932 S 5/2020
JP D1457814 S 12/2012

(Continued)

(72) Inventors: **Adam Mekeel Mack**, Half Moon Bay, CA (US); **Ryan Silvestri**, Guilford, CT (US); **Timothy A. Hyde**, Columbia, SC (US); **Neil Ferrier**, Greenville, SC (US); **Kevin Coss**, Irvine, CA (US); **David Elgena**, Orlando, FL (US); **Robert Schneider**, Killingworth, CT (US); **Jason Fischman**, Stamford, CT (US)

OTHER PUBLICATIONS

System Plus, Date: Apr. 21, 2020, [online], [site visited Dec. 8, 2021]. Available from internet, URL: <https://www.systemplus.fr/reverse-costing-reports/butterfly-network-iq-cmut-sensor/> (Year: 2020).*

(Continued)

(73) Assignee: **BFLY Operations, Inc.**, Guilford, CT (US)

Primary Examiner — Shawn T Gingrich

Assistant Examiner — Bryan N. Melvin

(74) *Attorney, Agent, or Firm* — Wolf, Greenfield & Sacks, P.C.

(**) Term: **15 Years**

(21) Appl. No.: **29/740,071**

(57) **CLAIM**

(22) Filed: **Jun. 30, 2020**

The ornamental design for a strain relief, as shown and described.

(51) **LOC (13) Cl.** **13-03**

(52) **U.S. Cl.**

USPC **D13/156**; D13/133

(58) **Field of Classification Search**

USPC ... D13/133, 137.4, 138.1, 138.2, 139.7, 147, D13/153, 154, 156; D24/158, 160, 186, D24/187; D14/433

CPC H01R 4/70; H01R 13/627; H01R 13/6273; H01R 13/6275

See application file for complete search history.

DESCRIPTION

FIG. 1 is a top, front, left side perspective view of a strain relief according to our new design;

FIG. 2 is a left side elevation view thereof;

FIG. 3 top plan view thereof;

FIG. 4 is a bottom plan view thereof;

FIG. 5 is a rear elevation view thereof;

FIG. 6 is a right side elevation view thereof; and,

FIG. 7 is a front elevation view thereof.

The broken lines represent portions of the strain relief that form no part of the claimed design.

The strain relief is shown with a symbolic break in its length.

The appearance of any portion of the article between the break lines forms no part of the claimed design.

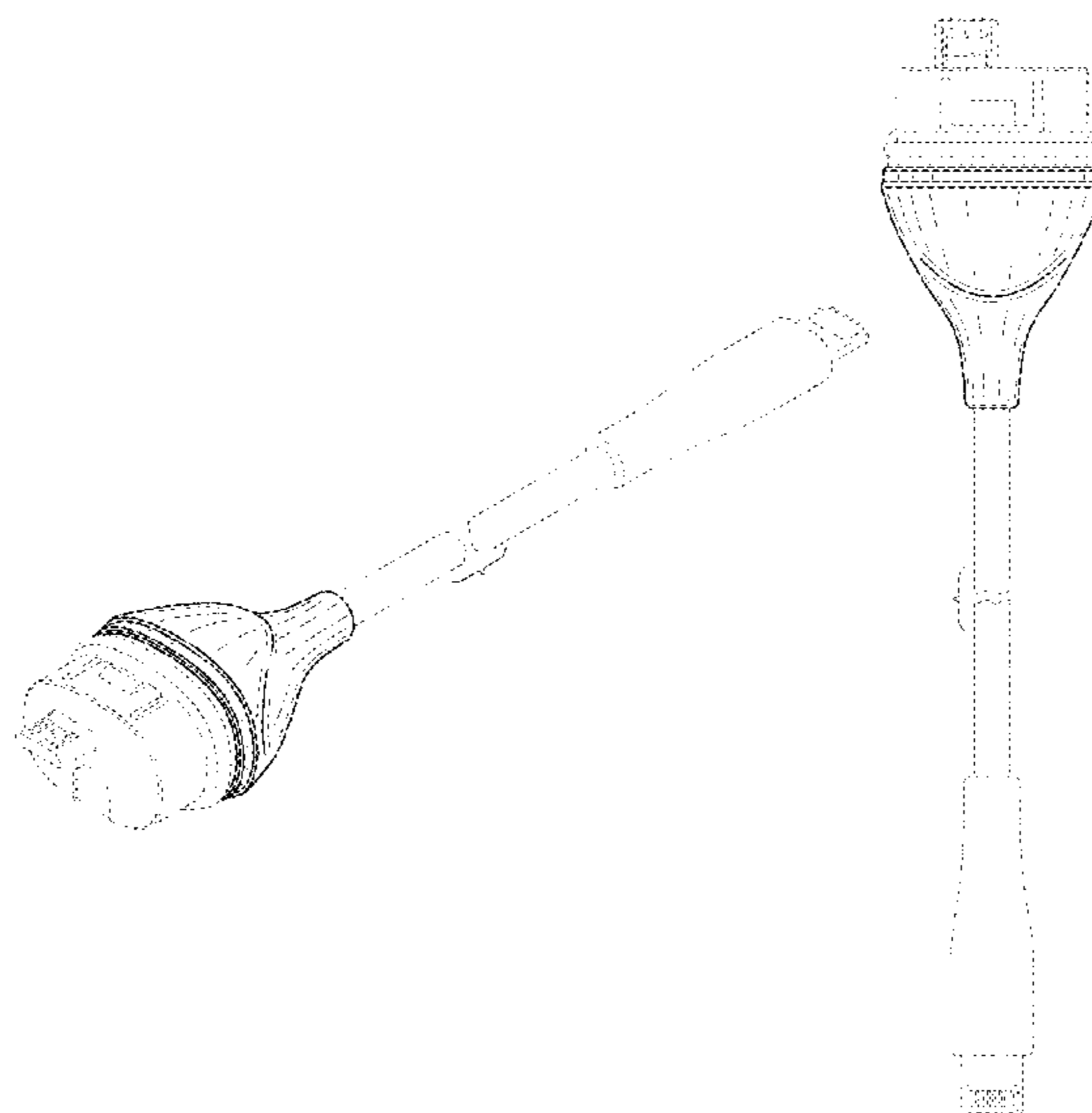
(56) **References Cited**

U.S. PATENT DOCUMENTS

4,108,527 A * 8/1978 Douty H01R 13/627
439/465
D357,898 S * 5/1995 Richards D13/133
5,444,185 A * 8/1995 Tanaka H01R 4/70
174/135

(Continued)

1 Claim, 2 Drawing Sheets



(56)

References Cited

U.S. PATENT DOCUMENTS

6,217,364 B1 * 4/2001 Miskin H01R 13/6275
 439/358
 6,257,914 B1 * 7/2001 Comerci H01R 13/6273
 439/357
 D513,409 S * 1/2006 Suckle D13/156
 D545,433 S 6/2007 Messerly
 D589,458 S * 3/2009 Keeven D13/156
 D639,434 S 6/2011 Wodecki et al.
 D681,824 S 5/2013 Shinohara
 D703,332 S 4/2014 Saeki
 D703,821 S 4/2014 Moon
 D704,844 S 5/2014 Saeki
 D745,175 S 12/2015 Kitayama
 D749,224 S 2/2016 Iritani
 D760,167 S * 6/2016 Kusano D13/138.1
 D791,330 S * 7/2017 Moon D24/187
 D793,344 S * 8/2017 Wang D13/153
 D816,850 S 5/2018 Asai
 D886,063 S * 6/2020 Cyzen D13/138.1
 D887,850 S 6/2020 Elgena
 D896,973 S 9/2020 Wight et al.
 D910,857 S 2/2021 Shibayama et al.
 D912,675 S * 3/2021 Kim D14/433

D916,295 S 4/2021 Shibayama et al.
 D934,808 S * 11/2021 Cyzen D13/138.1
 2018/0028159 A1 2/2018 Hageman et al.

FOREIGN PATENT DOCUMENTS

JP D1515349 S 1/2015
 KR 30-0726182 S 1/2014
 KR 30-0751362 S 7/2014
 KR 300992876.0000 S 2/2019
 KR 300992877.0000 S 2/2019

OTHER PUBLICATIONS

[No. Author Listed] Esaote SP2430 For Sale. Providian Medical. <https://www.providianmedical.com/ultrasound-probes/esaote/esaote-sp2430>. U.S. Appl. No. 29/740,028 in office action dated Jul. 27, 2021. Published date unknown, downloaded on Jul. 22, 2021. 1 page.
 [No. Author Listed] Hdi 5000 Transducer Listing. Publicly known prior to Oct. 27, 2017. 6 pages.
 [No. Author Listed] Samsung L38n Linear Probe. Ultrasound Supply. <https://www.ultrasoundsupply.com/products/ultrasound-probes/samsung-probes/138n-linear-probe/>. U.S. Appl. No. 29/739,956 in office action dated Jul. 27, 2021. Published date unknown, downloaded on Jul. 21, 2021. 1 page.

* cited by examiner

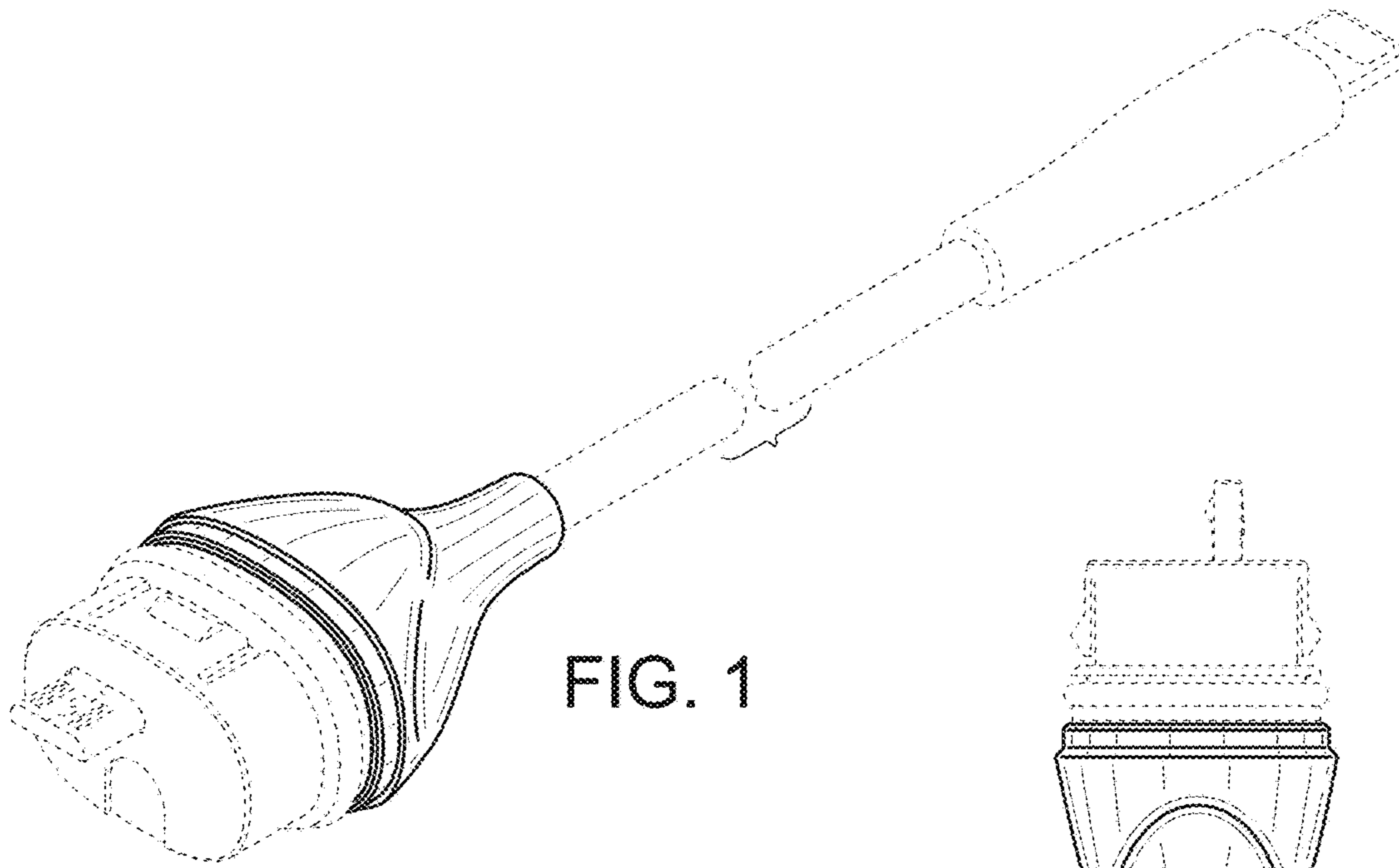


FIG. 1

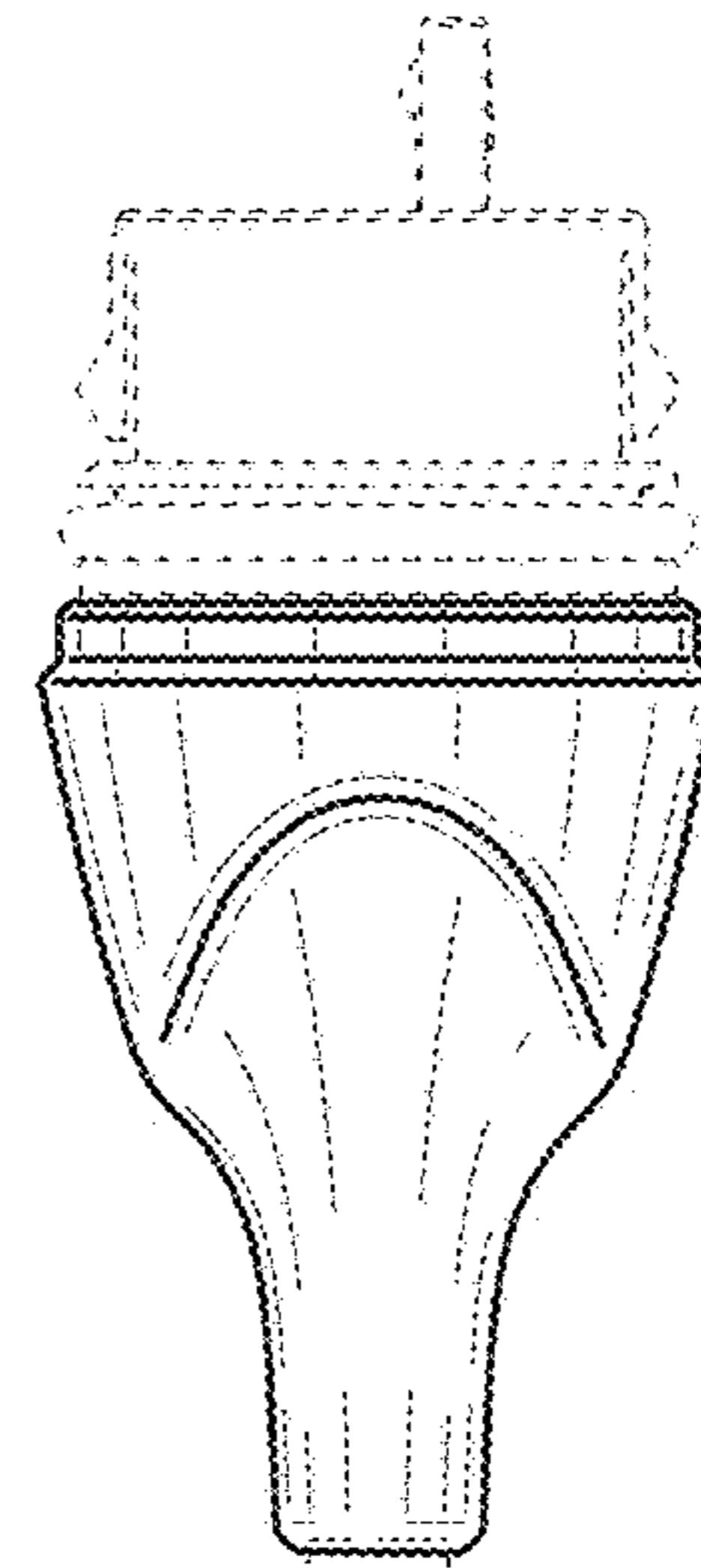


FIG. 2

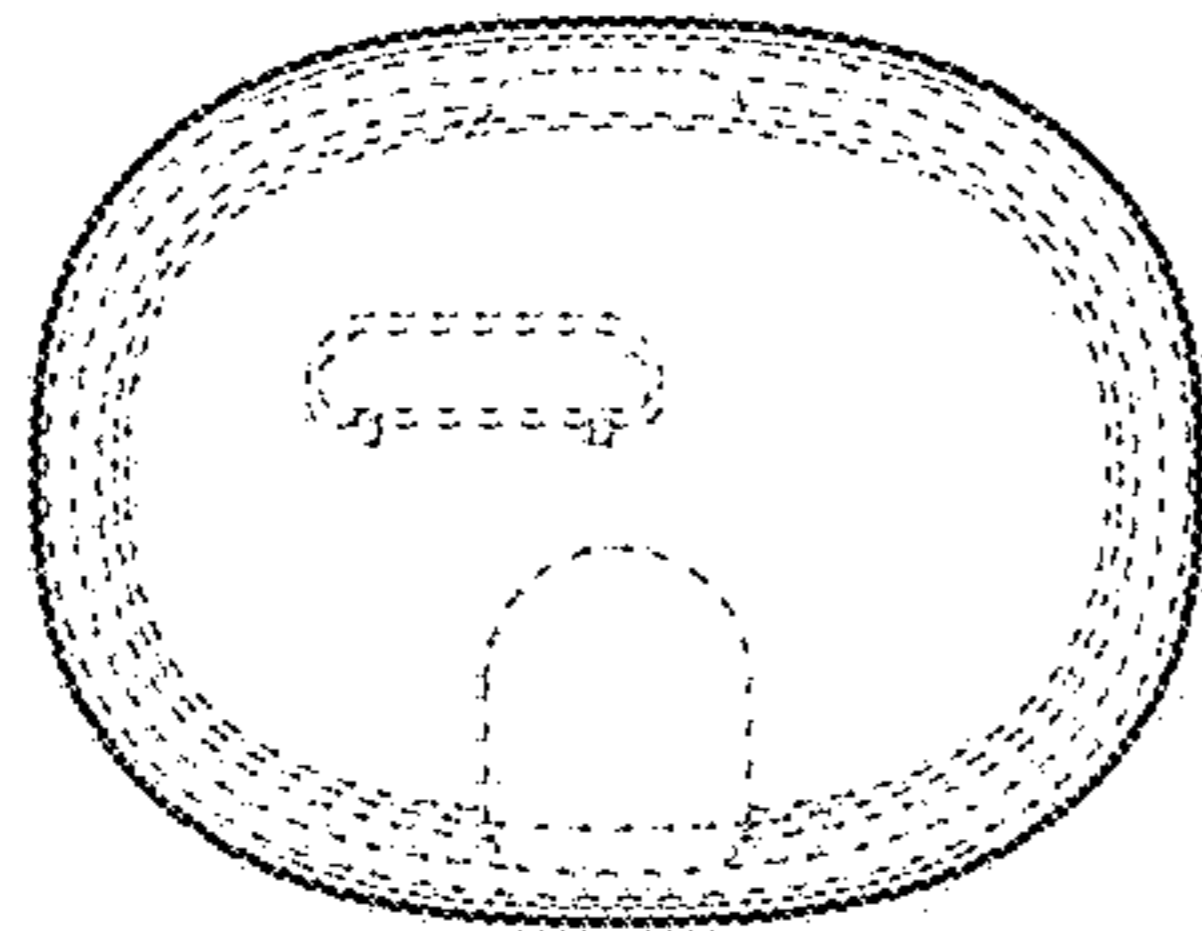


FIG. 3

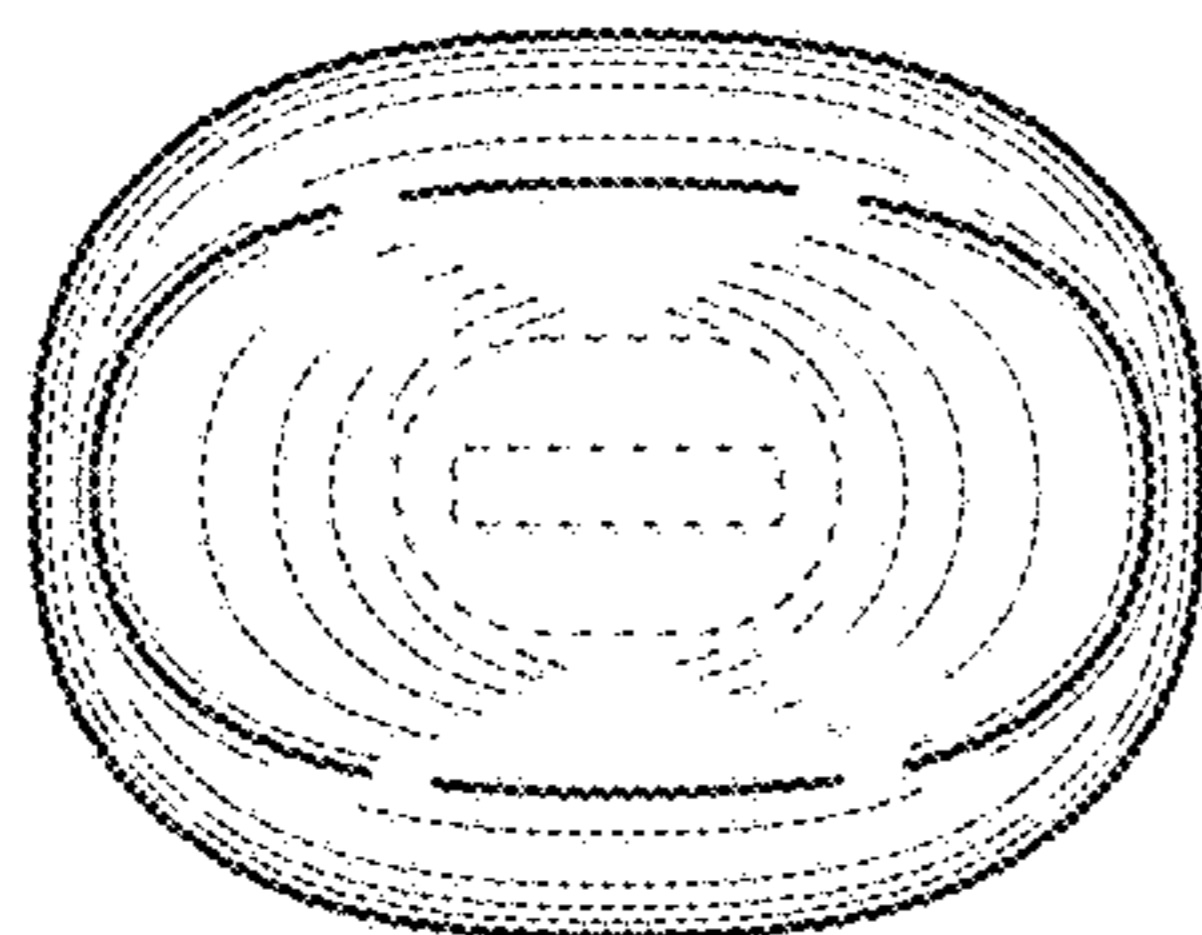


FIG. 4

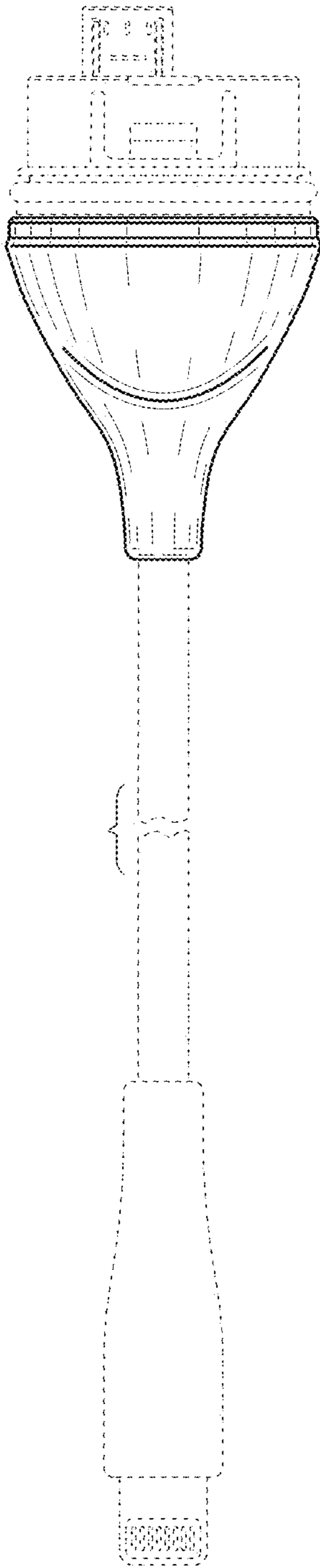


FIG. 5

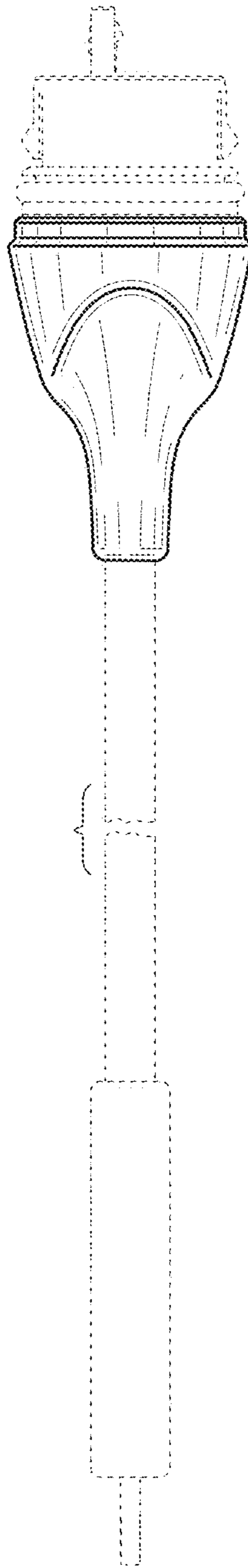


FIG. 6

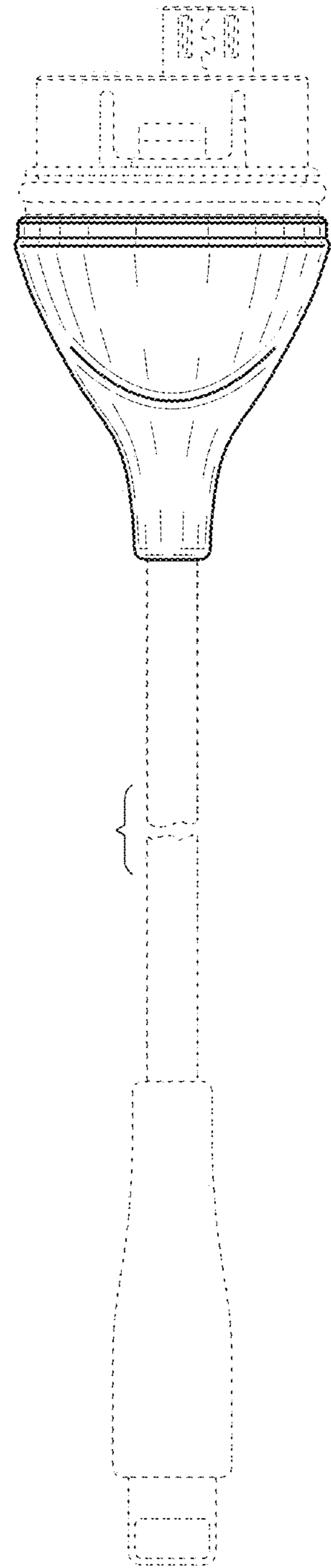


FIG. 7