



US00D957348S

(12) **United States Design Patent**
Athanasas

(10) **Patent No.:** **US D957,348 S**

(45) **Date of Patent:** **** Jul. 12, 2022**

(54) **ELECTRIC OUTLET**

(71) Applicant: **Comemso GmbH**, Ostfildern (DE)

(72) Inventor: **Kiriakos Athanasas**, Ostfildern (DE)

(73) Assignee: **Comemso GmbH**, Ostfildern (DE)

(**) Term: **15 Years**

(21) Appl. No.: **35/510,986**

(22) Filed: **Jun. 17, 2020**

(80) **Hague Agreement Data**

Int. Filing Date: **Jun. 17, 2020**

Int. Reg. No.: **DM/208881**

Int. Reg. Date: **Jun. 17, 2020**

Int. Reg. Pub. Date: **Dec. 18, 2020**

(51) **LOC (13) Cl.** **13-03**

(52) **U.S. Cl.**
USPC **D13/152**

(58) **Field of Classification Search**
USPC D13/152, 155, 162, 158, 159; D3/302
CPC H02G 3/12; H02G 3/16
See application file for complete search history.

(56) **References Cited**

U.S. PATENT DOCUMENTS

D286,765 S *	11/1986	Prouty	D13/159
D333,294 S *	2/1993	Dossey	D13/158
D408,015 S *	4/1999	Faucher	D13/152
D423,461 S *	4/2000	Layton, Jr.	D13/152
D507,241 S *	7/2005	Koessler	D13/152
D589,456 S *	3/2009	Puluc	D13/152
D632,256 S *	2/2011	Higuchi	D13/152
D682,791 S *	5/2013	Nikayin	D13/152

D722,976 S *	2/2015	Okado	D13/152
D742,325 S *	11/2015	Leung	D13/152
D837,518 S *	1/2019	Chang	D3/302
D914,612 S *	3/2021	Andersson	D13/152
D924,174 S *	7/2021	Lee	D13/158
D928,723 S *	8/2021	Weinerman	D13/162
D933,019 S *	10/2021	Guthmiller	D13/152
D934,185 S *	10/2021	Oge	D13/158
D938,920 S *	12/2021	O'Hanlan	D13/152
2004/0123996 A1 *	7/2004	Lalancette	H02G 3/12 174/50
2008/0053698 A1 *	3/2008	Purves	H02G 3/16 174/520

* cited by examiner

Primary Examiner — Rhea Shields

(74) *Attorney, Agent, or Firm* — Burr & Brown, PLLC

(57) **CLAIM**

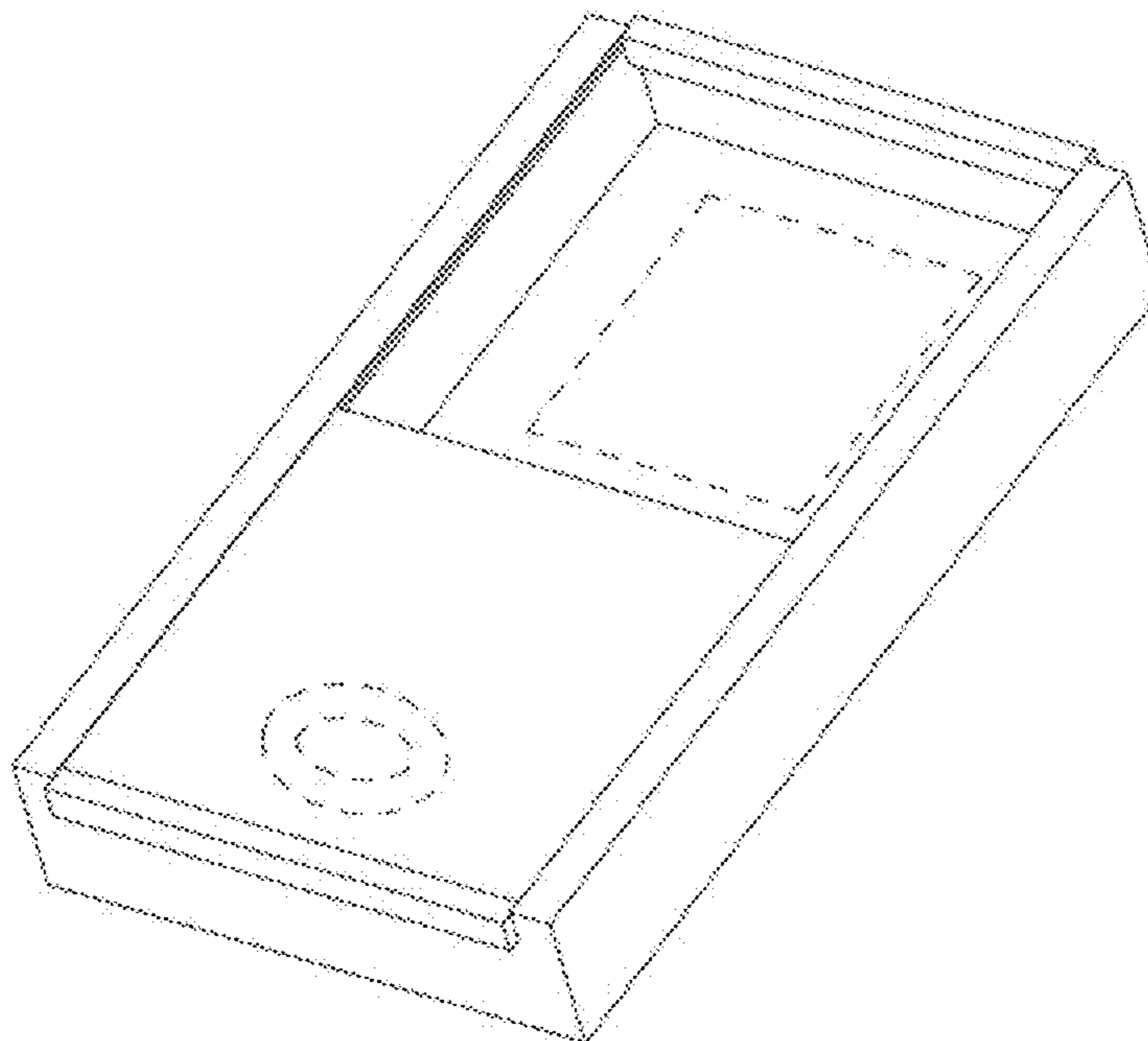
The ornamental design for an electric outlet, as shown and described.

DESCRIPTION

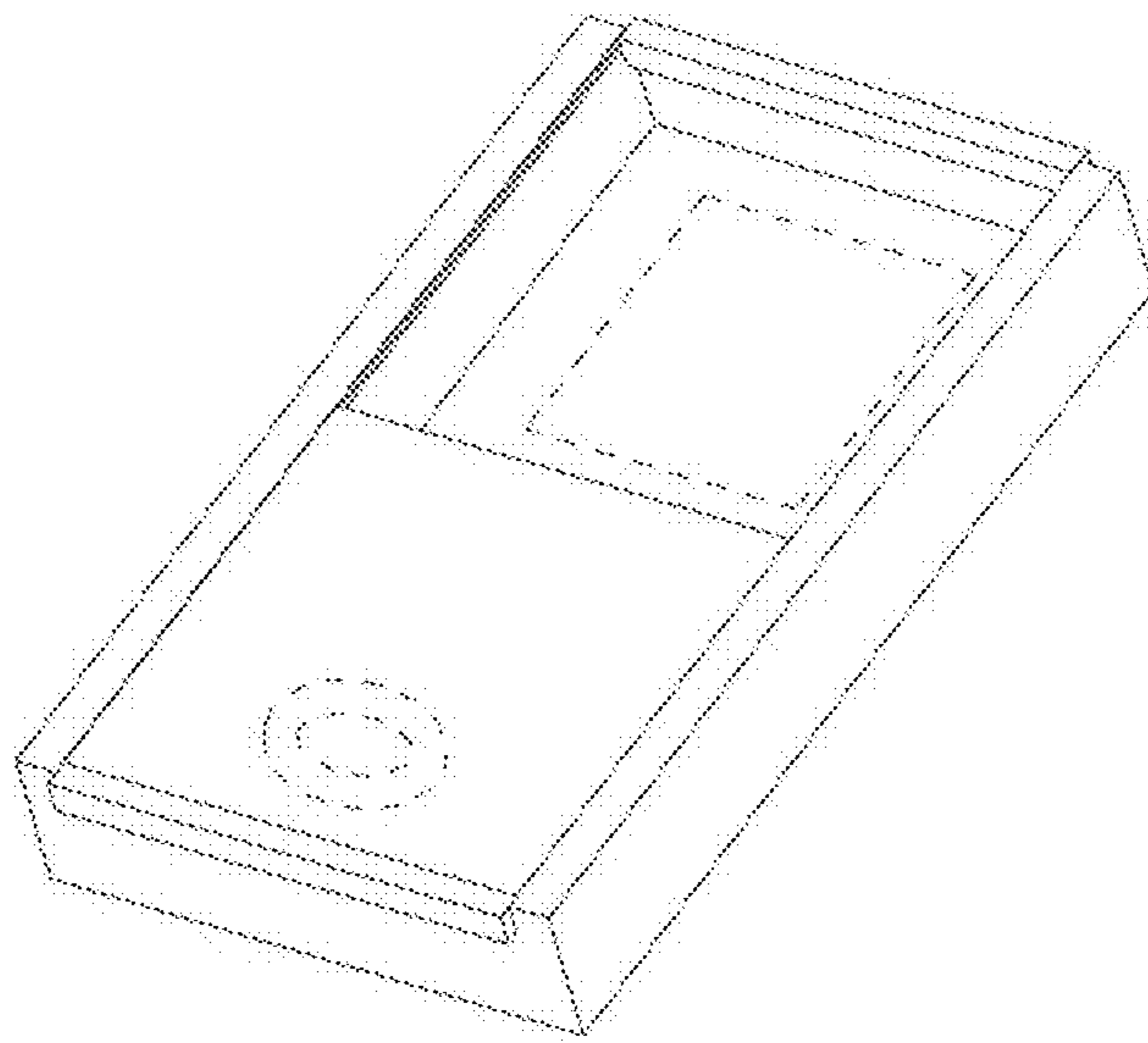
- 1. Electric outlet
- 1.1 : Perspective
- 1.2 : Front
- 1.3 : Perspective
- 1.4 : Front
- 1.5 : Left
- 1.6 : Right
- 1.7 : Top
- 1.8 : Bottom
- 1.9 : Back

In the reproductions, the broken lines are for the purpose of illustrating portions of the electric outlet that forms no part of the claimed design.

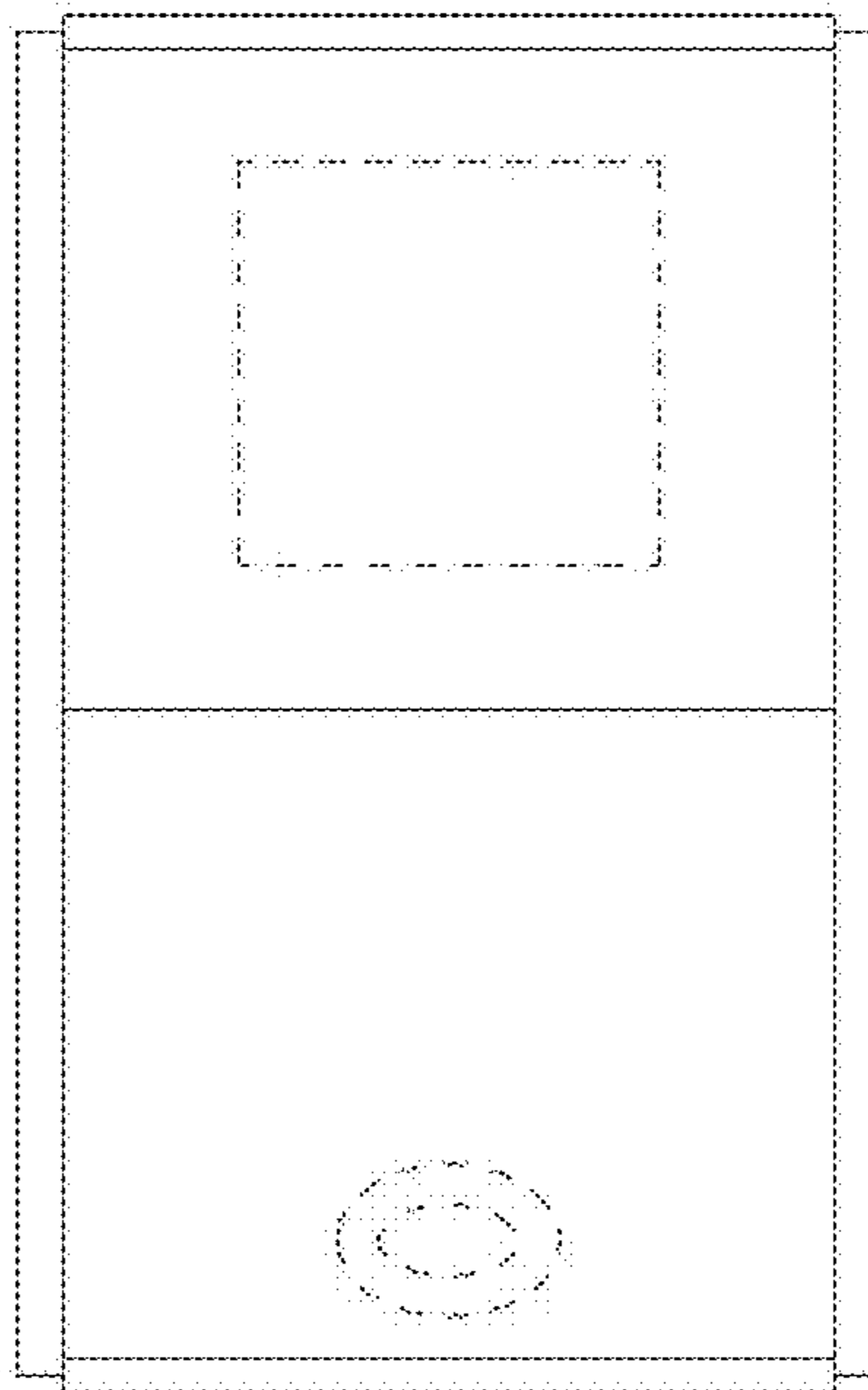
1 Claim, 9 Drawing Sheets



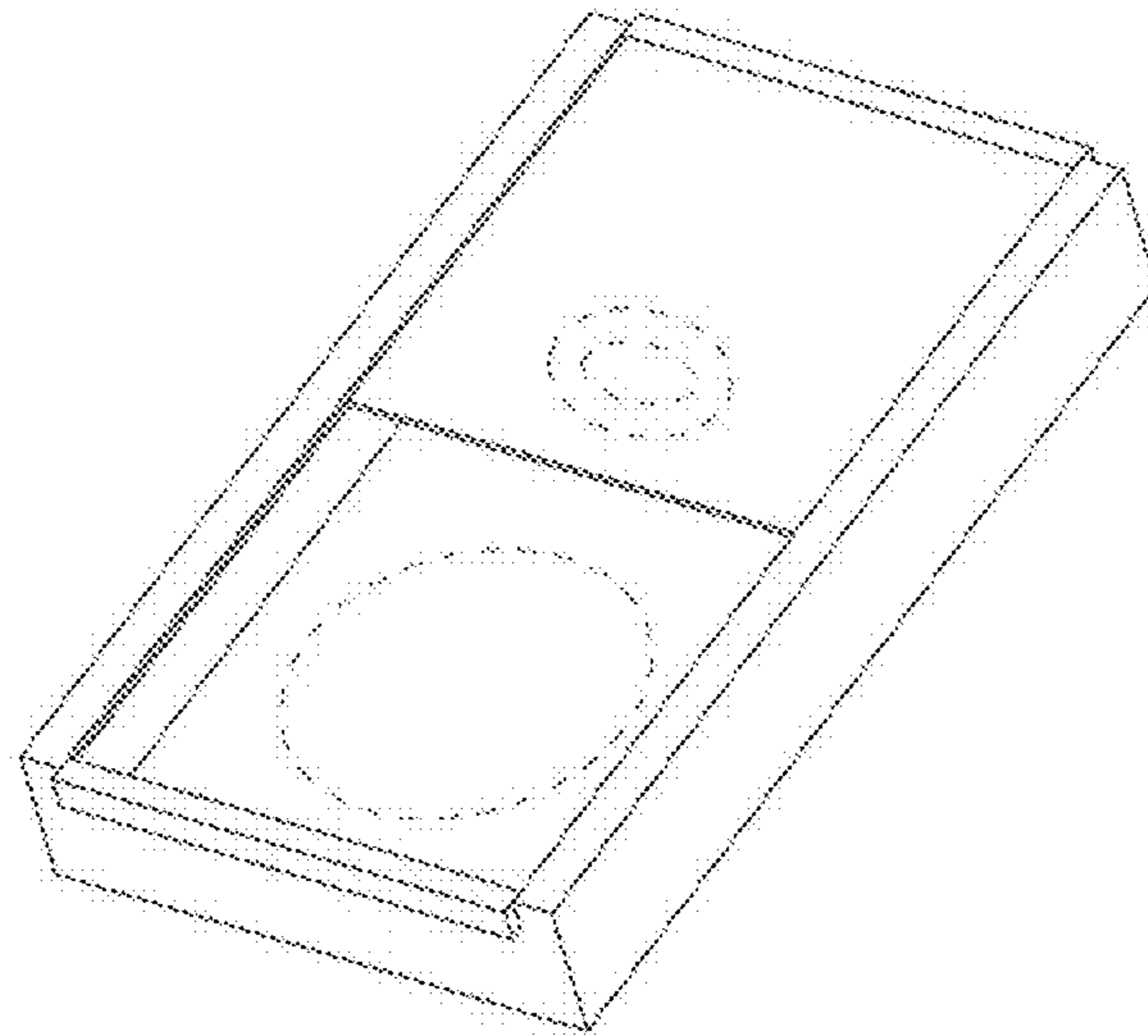
1.1



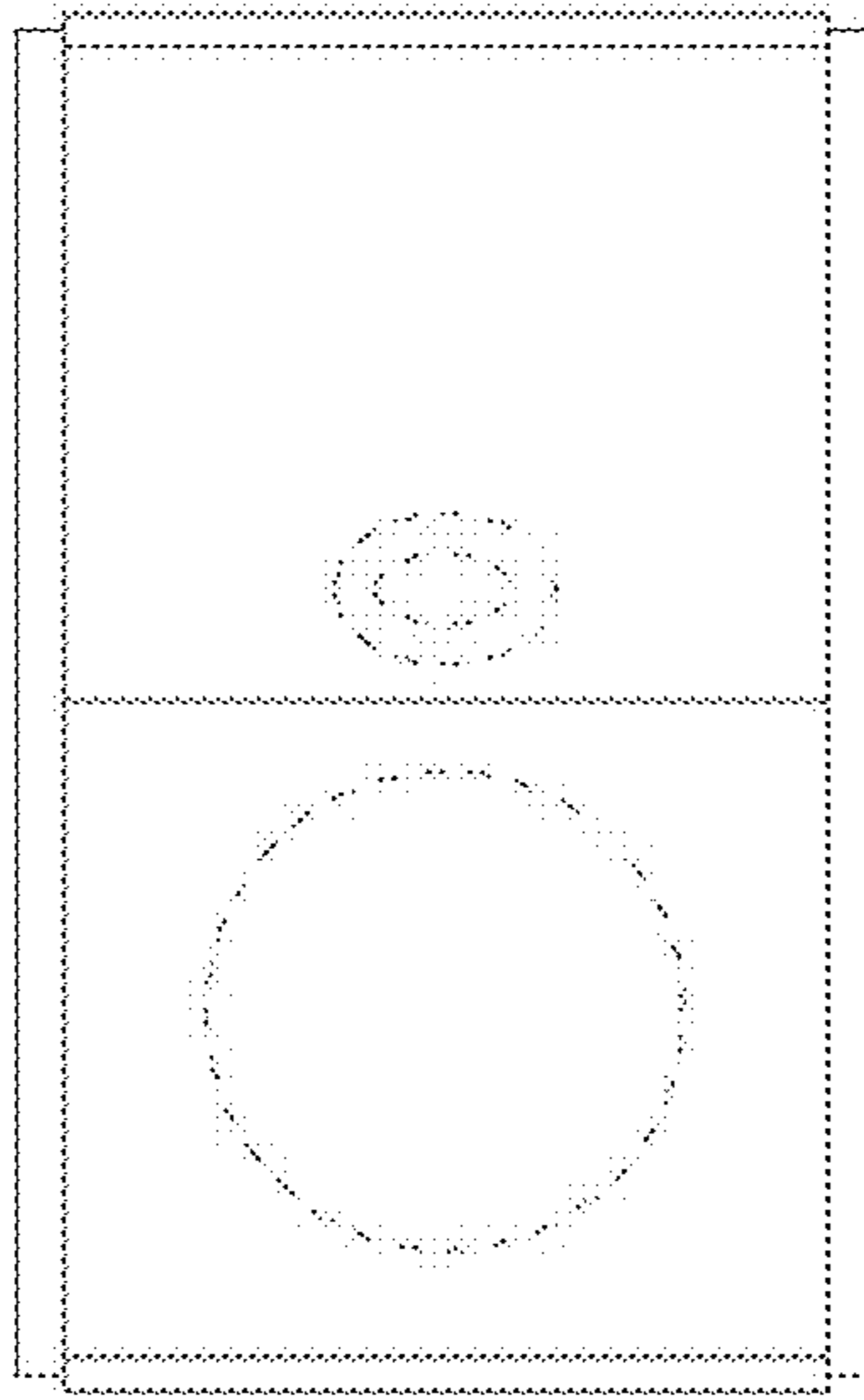
1.2



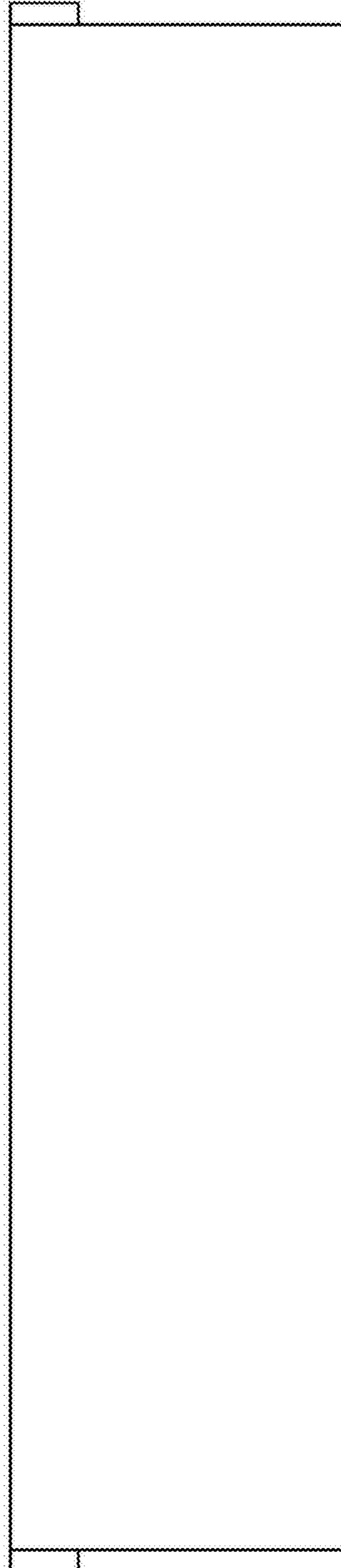
1.3



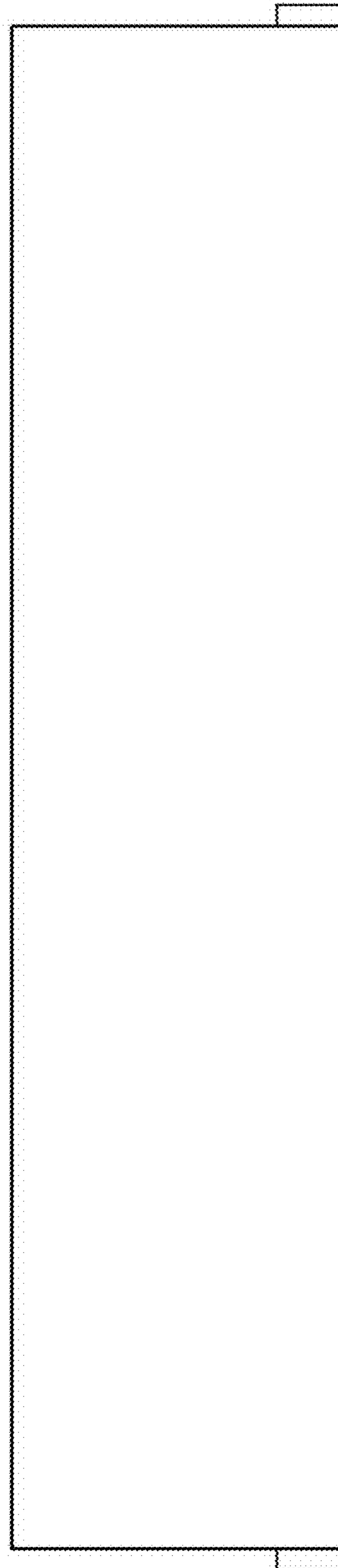
1.4



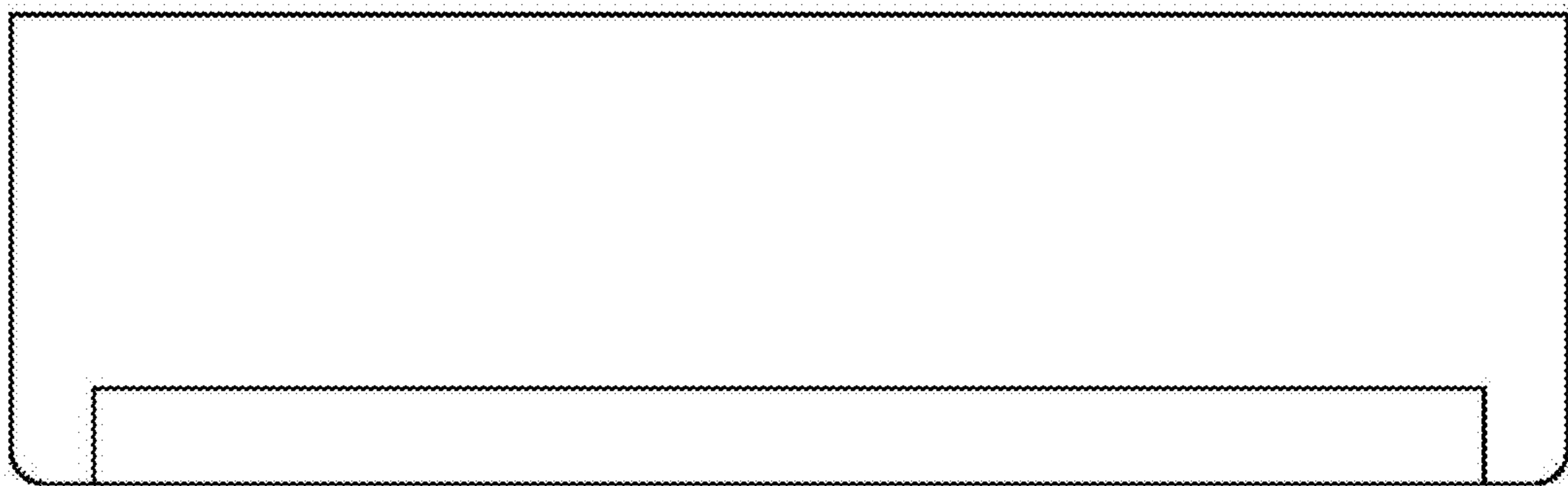
1.5



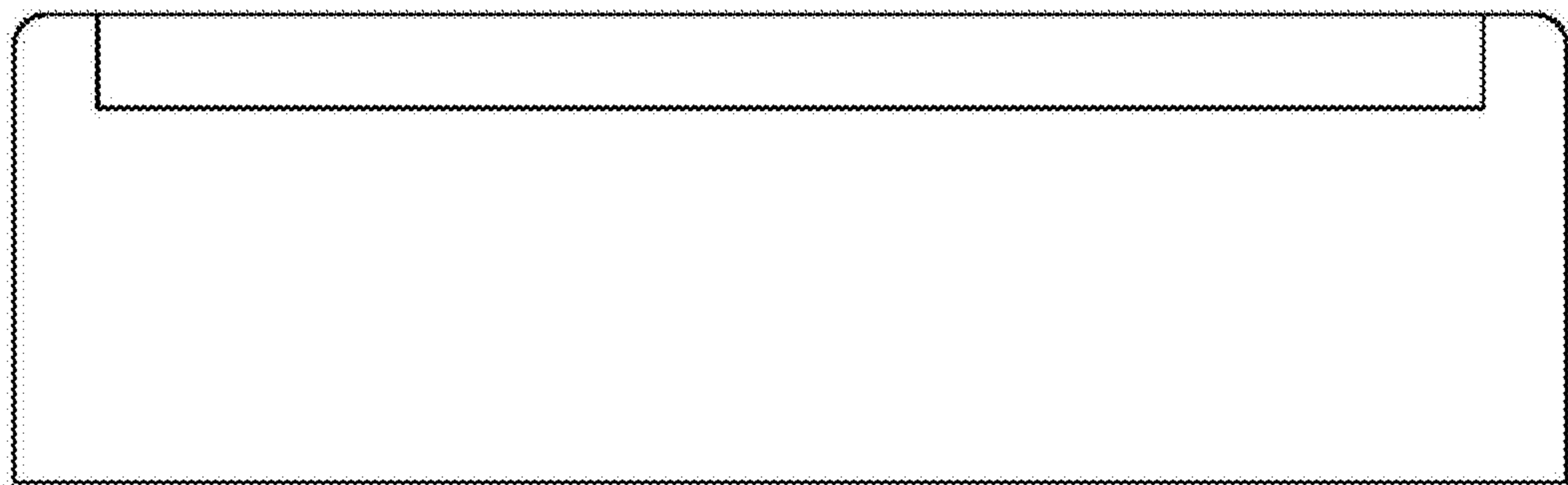
1.6



1.7



1.8



1.9

