



US00D957347S

(12) **United States Design Patent**
Morishita et al.

(10) **Patent No.:** **US D957,347 S**
(45) **Date of Patent:** **** Jul. 12, 2022**

(54) **CONNECTOR**

(71) Applicant: **Japan Aviation Electronics Industry, Limited**, Tokyo (JP)

(72) Inventors: **Yukuya Morishita**, Tokyo (JP); **Yusuke Obata**, Tokyo (JP)

(73) Assignee: **JAPAN AVIATION ELECTRONICS INDUSTRY, LIMITED**, Tokyo (JP)

(**) Term: **15 Years**

(21) Appl. No.: **29/757,998**

(22) Filed: **Nov. 11, 2020**

(30) **Foreign Application Priority Data**

May 25, 2020 (JP) 2020-010167 D

(51) **LOC (13) Cl.** **13-03**

(52) **U.S. Cl.**
USPC **D13/147**

(58) **Field of Classification Search**
USPC D13/120, 123, 133, 146-147, 149, 154, D13/184, 199

CPC H01R 4/028; H01R 12/716; H01R 12/707; H01R 12/57; H01R 13/04; H01R 13/502; H01R 13/629; H01R 12/7005; H05K 1/18; H05K 7/00; H05K 7/20; H02M 7/00; H01L 25/07; H01L 25/16; H01L 25/18; H01L 23/00; H01L 23/31

See application file for complete search history.

(56) **References Cited**

U.S. PATENT DOCUMENTS

D708,580 S *	7/2014	McCartin	D13/147
D709,036 S *	7/2014	McCartin	D13/147
D897,964 S *	10/2020	Kuroiwa	D13/147
D913,952 S *	3/2021	Obata	D13/147
D915,285 S *	4/2021	Oosaka	D13/133
D921,591 S *	6/2021	Obata	D13/147
D924,161 S *	7/2021	Sato	D13/147

D924,162 S *	7/2021	Yokoyama	D13/147
D928,098 S *	8/2021	Obata	D13/147
D928,099 S *	8/2021	Obata	D13/147

(Continued)

OTHER PUBLICATIONS

www.newark.com, dated Mar. 2019, [online], [site visited Dec. 7, 2021]. Available from Internet, URL: <https://www.newark.com/jst-japan-solderless-terminals/bm05b-zess-fbt/wire-to-board-connector-top-entry/dp/90W0482?gclid=Cj0KCQiAqbyNBhC2ARIsALDwAsB5pQJvOk2BE19ytoLw5RJEBSEtRDPzWga1sS7bWfBsVYIB8dm8JolaAiPX> (Year: 2019).*

Primary Examiner — Shawn T Gingrich

Assistant Examiner — Anton Dennis Murray

(74) *Attorney, Agent, or Firm* — Manabu Kanesaka

(57) **CLAIM**

The ornamental design for a connector, as shown and described.

DESCRIPTION

FIG. 1 is a front elevational view of a connector showing our new design;

FIG. 2 is a rear elevational view thereof;

FIG. 3 is a right side elevational view thereof;

FIG. 4 is a left side elevational view thereof;

FIG. 5 is a top plan view thereof;

FIG. 6 is a bottom plan view thereof;

FIG. 7 is a perspective view showing a front, top and right side thereof;

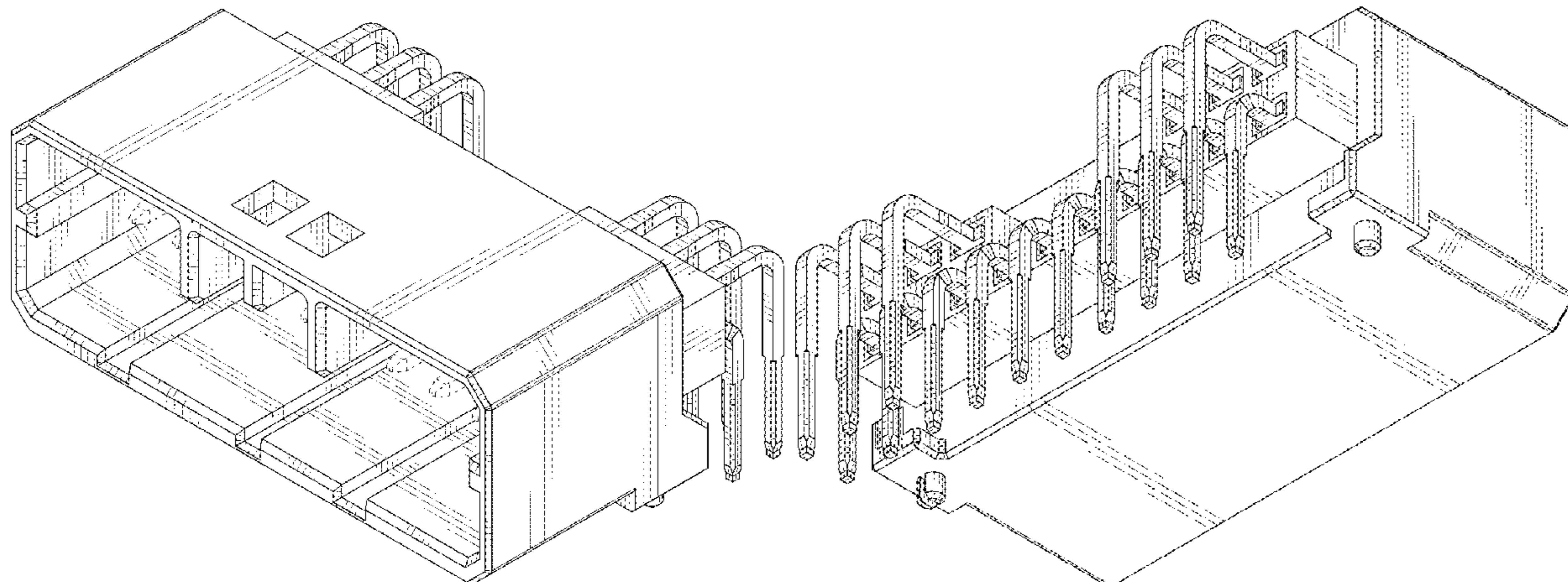
FIG. 8 is a perspective view showing a rear, bottom and left side thereof;

FIG. 9 is a perspective view showing a front, right and bottom side thereof; and,

FIG. 10 is a perspective view showing a rear, left and top side thereof.

The broken line showing of the connector is for the purpose of illustrating portions of the article and forms no part of the claimed design.

1 Claim, 5 Drawing Sheets



(56)

References Cited

U.S. PATENT DOCUMENTS

2002/0137396 A1* 9/2002 Ono H01R 12/716
439/680
2003/0027443 A1* 2/2003 Sasaki H05K 3/306
439/79
2006/0068620 A1* 3/2006 Okamura H01R 12/716
439/79
2016/0118729 A1* 4/2016 Sakamoto H01R 12/51
439/78

* cited by examiner

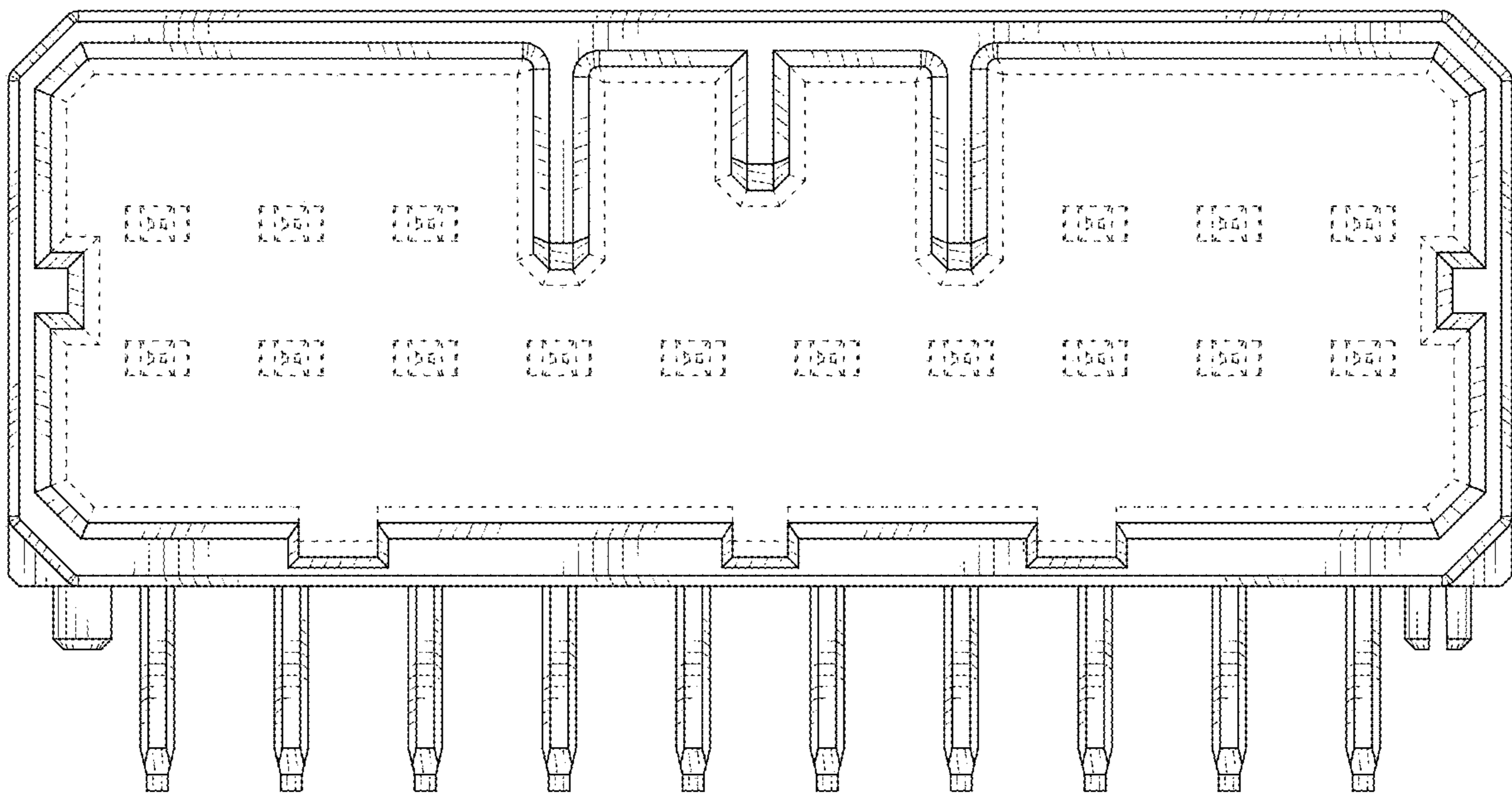


FIG. 1

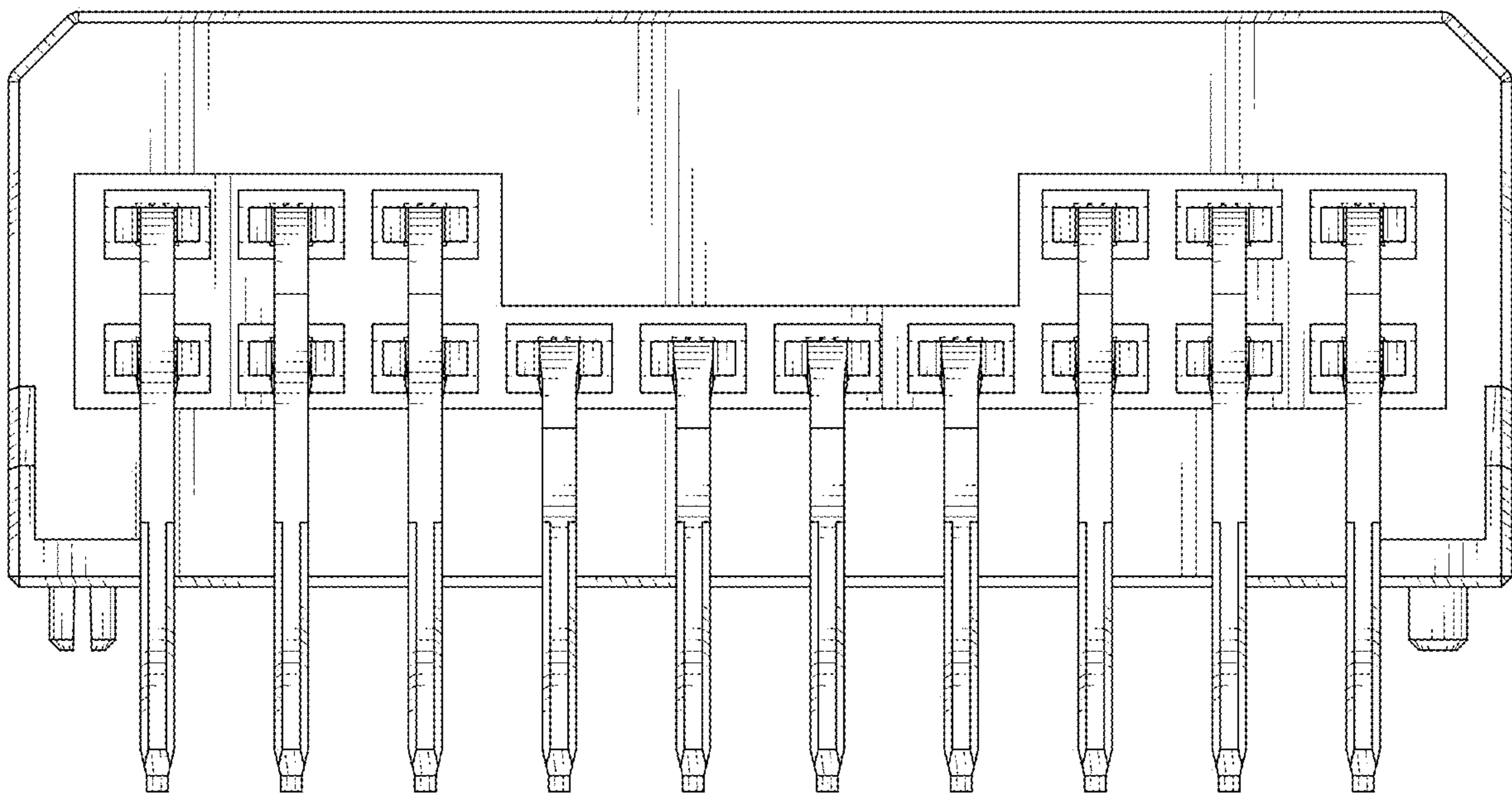


FIG. 2

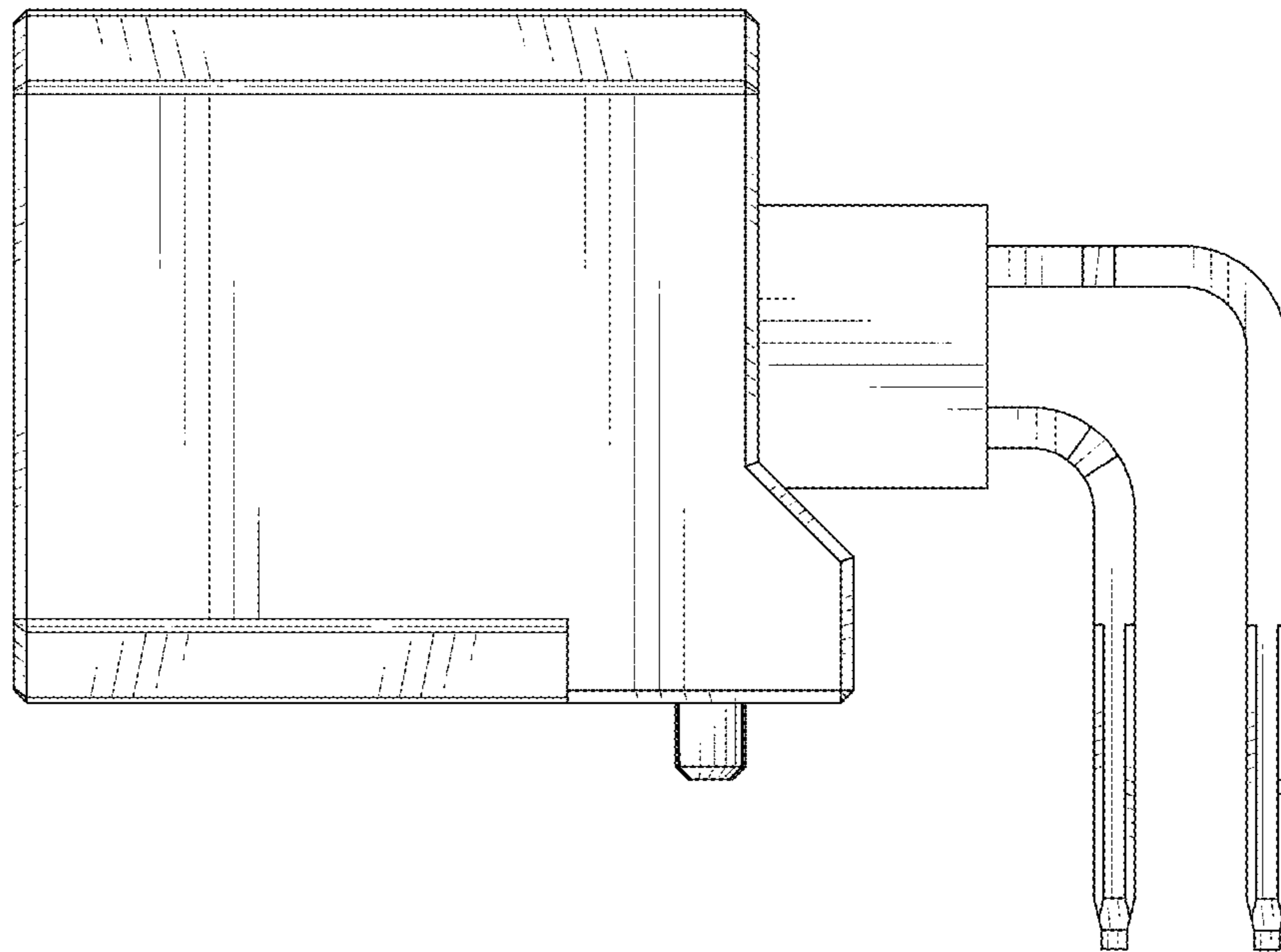


FIG. 3

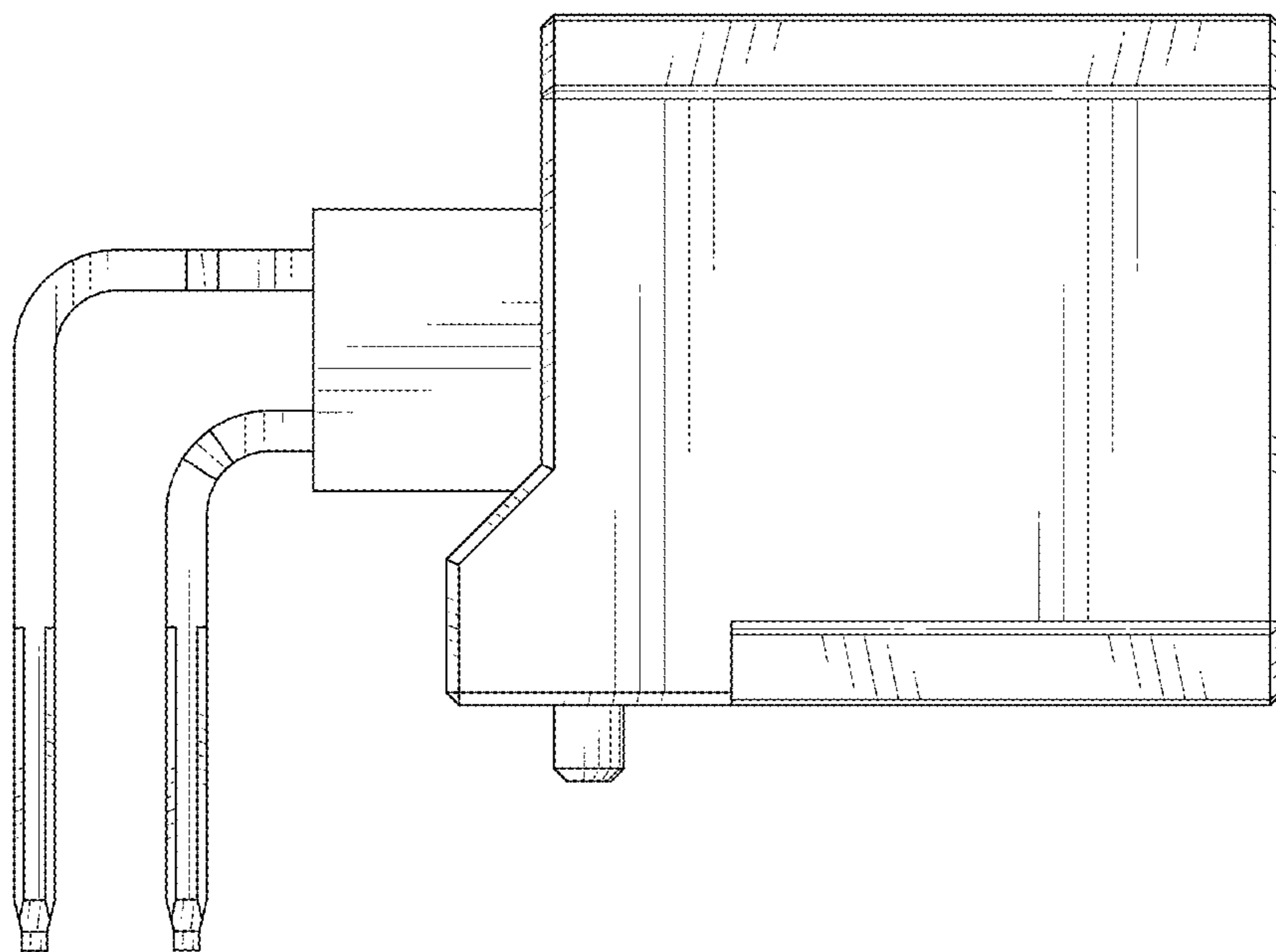


FIG. 4

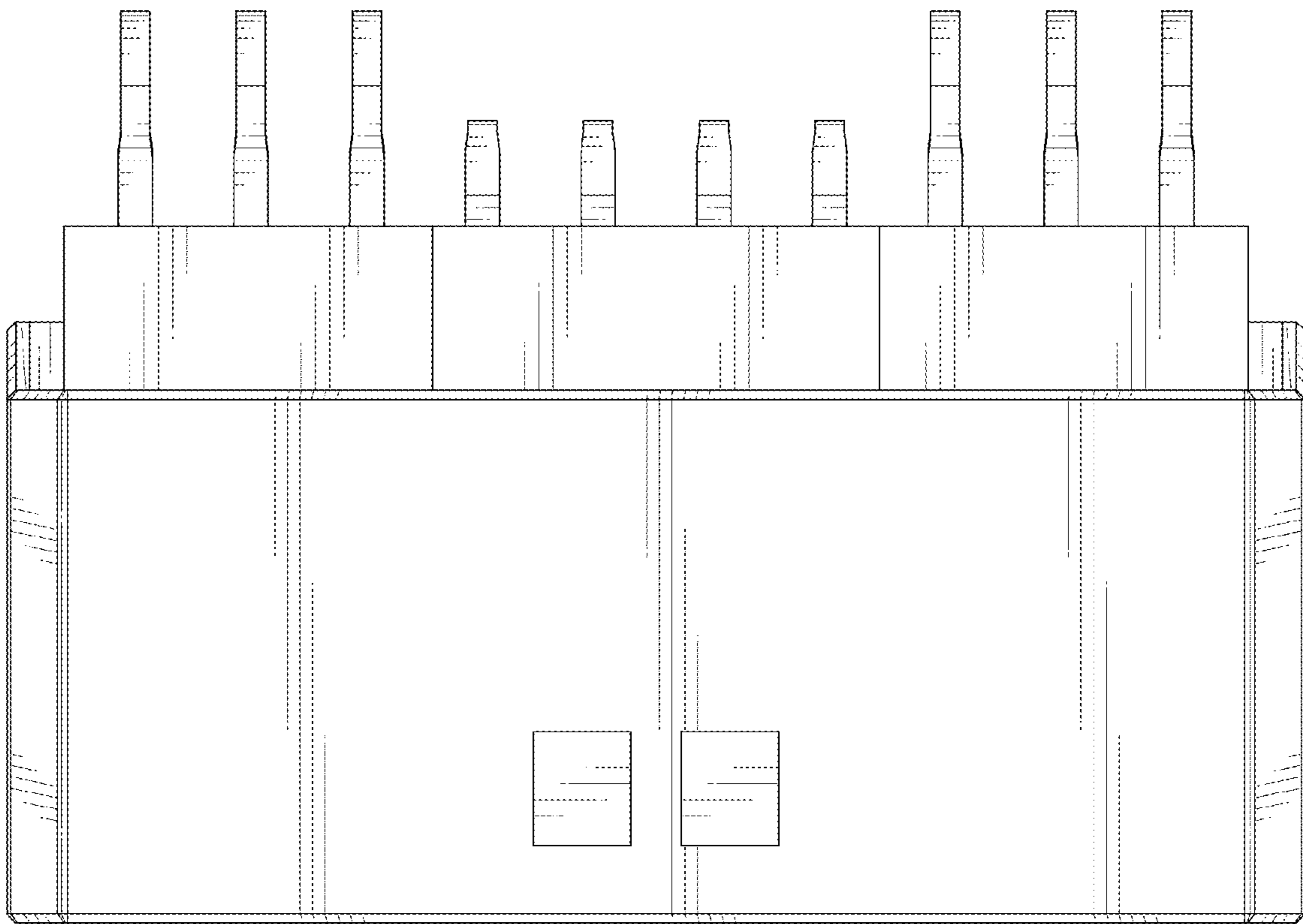


FIG. 5

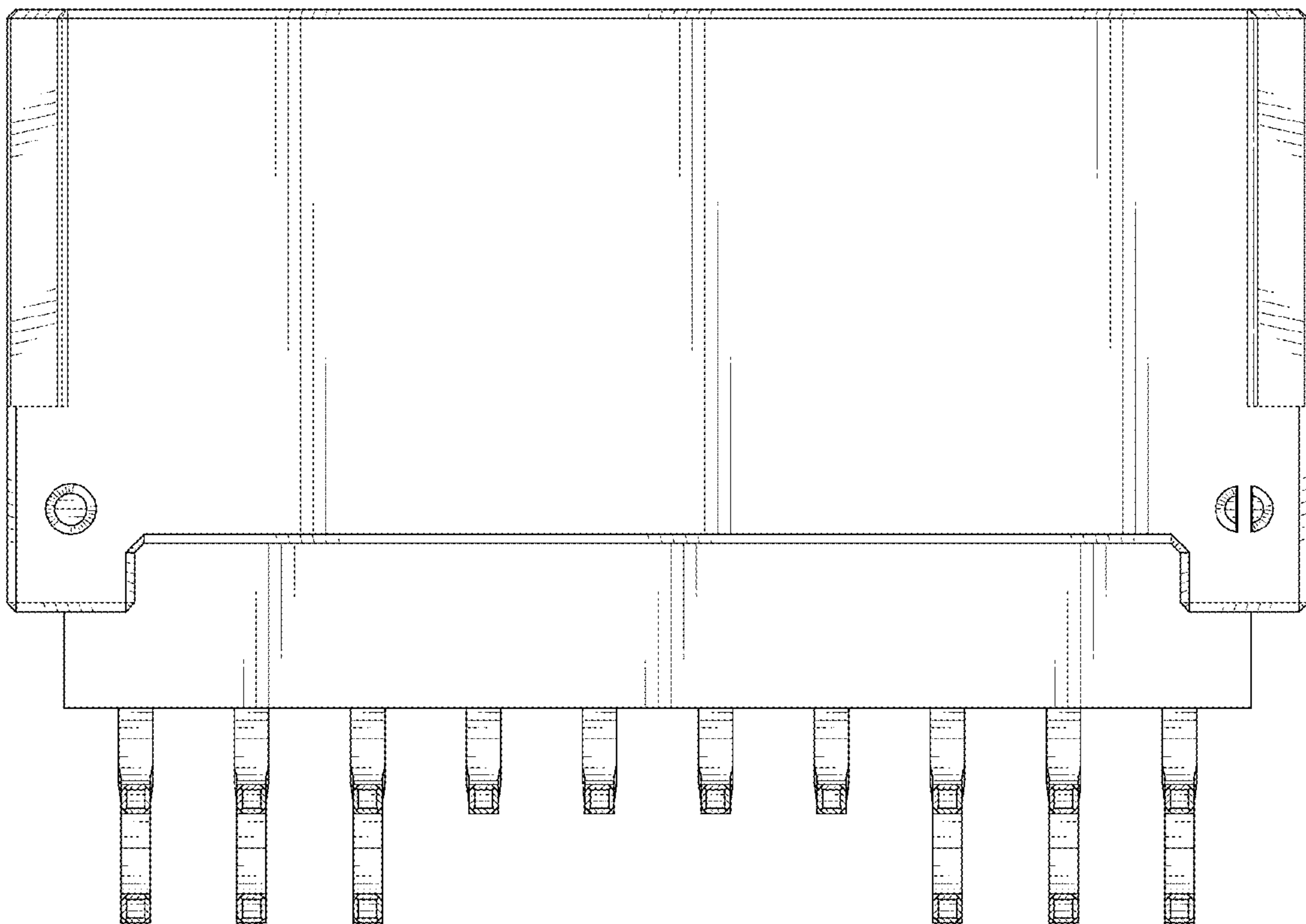


FIG. 6

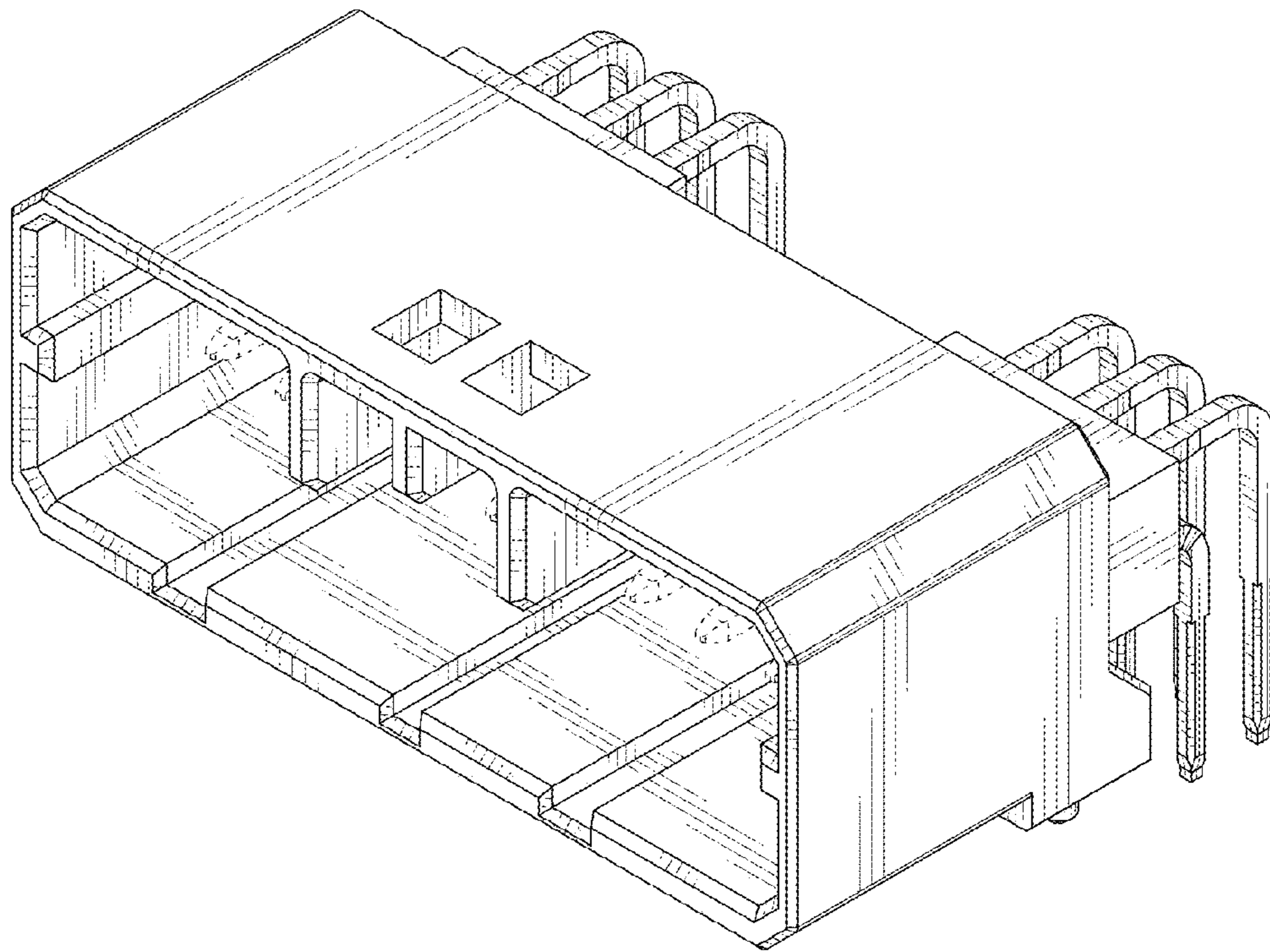


FIG. 7

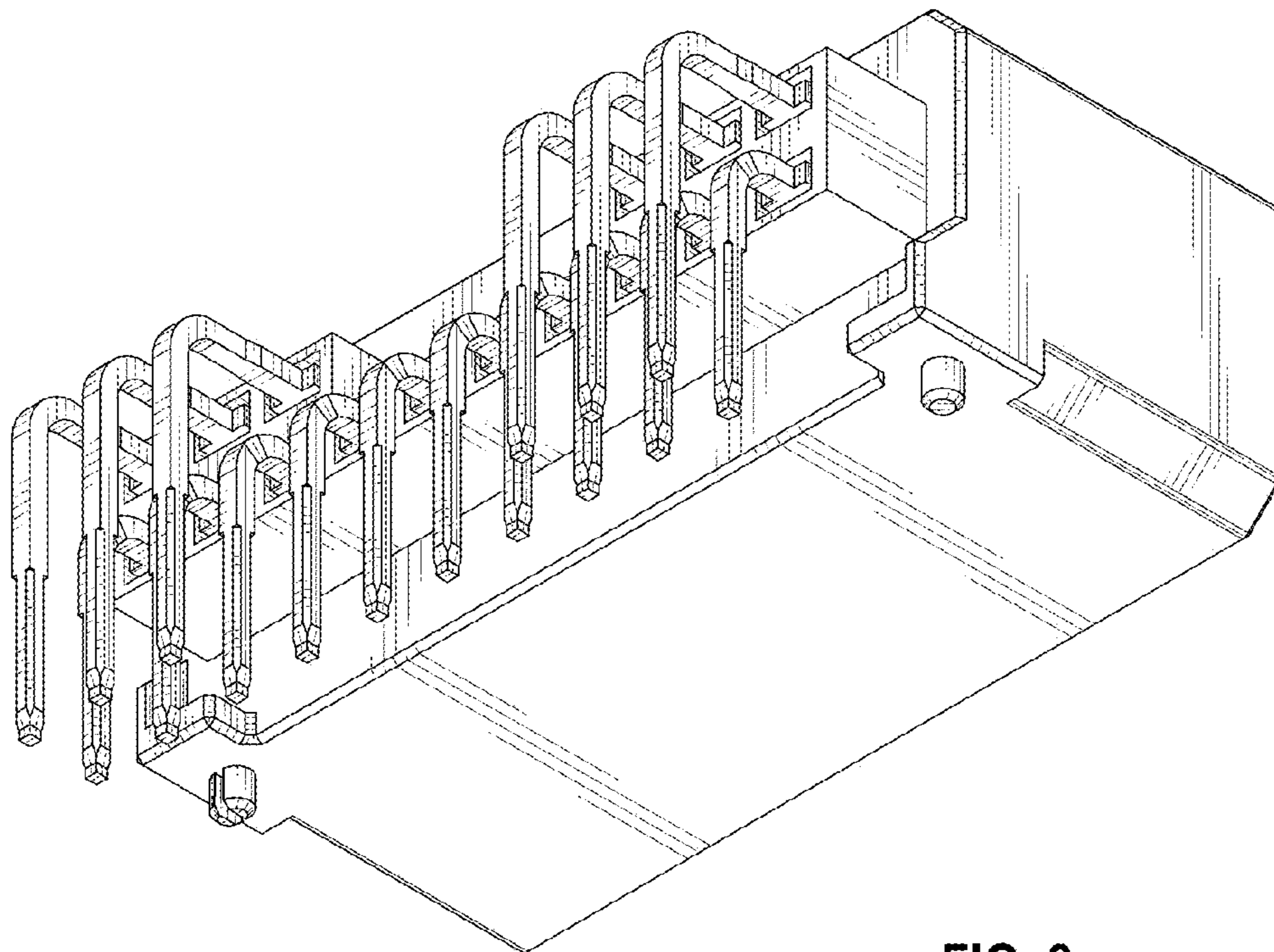


FIG. 8

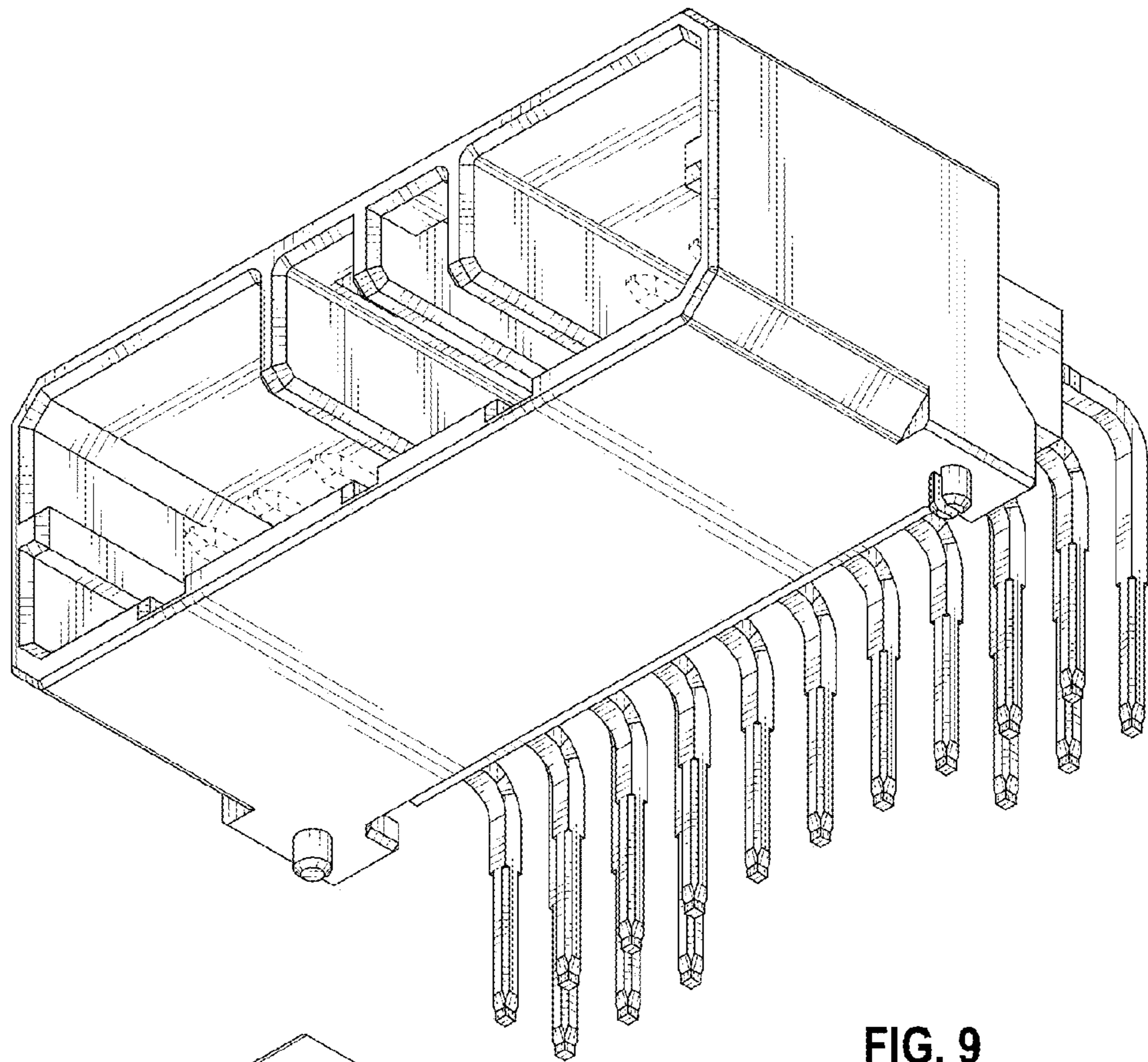


FIG. 9

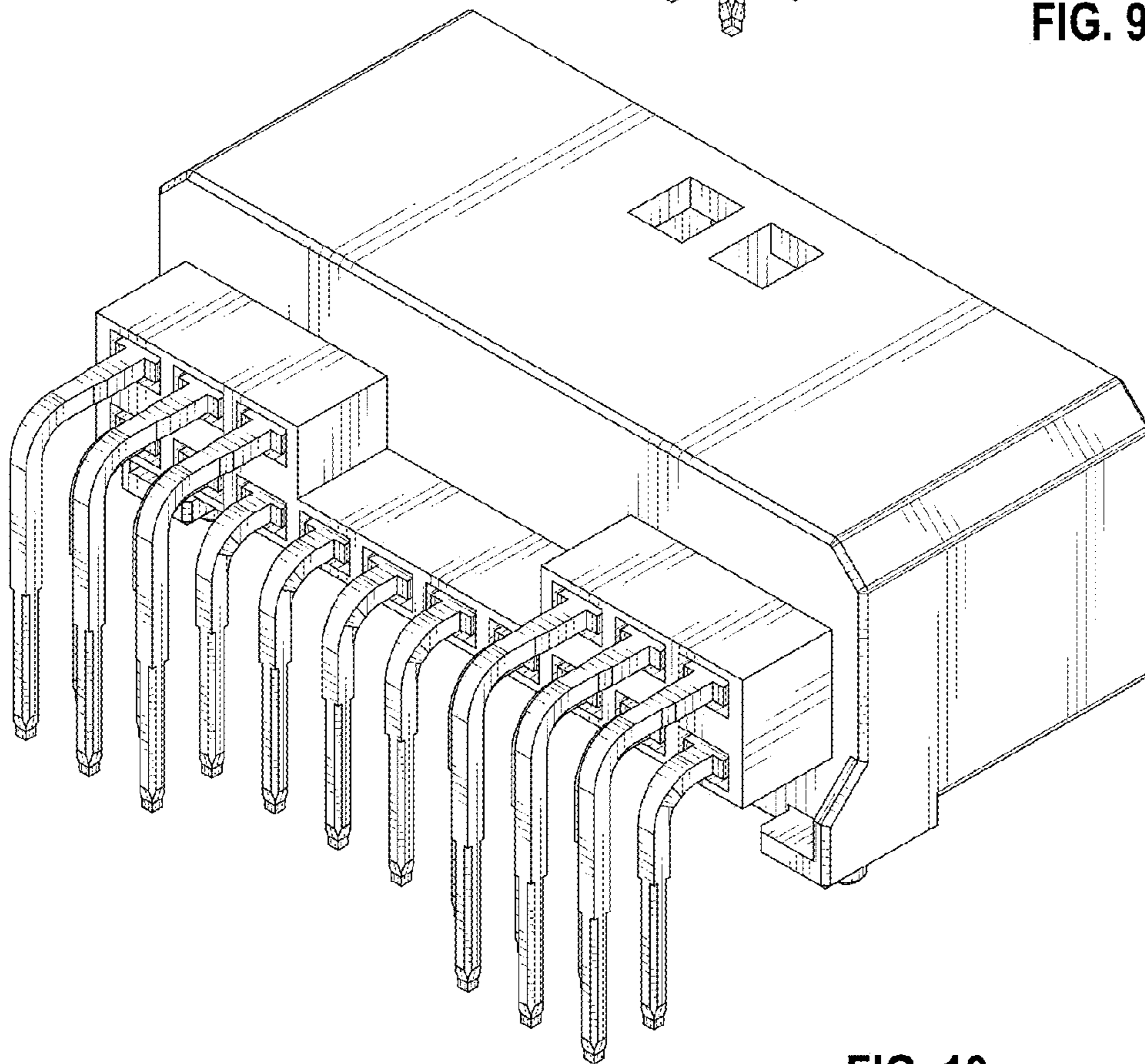


FIG. 10