



US00D957343S

(12) **United States Design Patent** (10) **Patent No.:** **US D957,343 S**
Yu (45) **Date of Patent:** **** Jul. 12, 2022**

(54) **MULTI-SOCKET HUB**
(71) Applicant: **NINGBO WELL ELECTRIC APPLIANCE CO., LTD.**, Ningbo (CN)
(72) Inventor: **Guolin Yu**, Ningbo (CN)
(73) Assignee: **NINGBO WELL ELECTRIC APPLIANCE CO., LTD.**, Ningbo (CN)
(**) Term: **15 Years**
(21) Appl. No.: **29/759,155**
(22) Filed: **Nov. 20, 2020**
(51) **LOC (13) Cl.** **13-03**
(52) **U.S. Cl.**
USPC **D13/139.8**
(58) **Field of Classification Search**
USPC D13/137.1, 137.2, 137.3, 137.4, 138.1, D13/138.2, 139.1, 139.2, 139.3, 139.4, D13/139.5, 139.6, 139.7, 139.8, 103, 107, D13/108, 110, 119, 123, 133, 145, 152, D13/153, 154, 156, 158, 160, 162, 177, D13/184, 199
CPC H01R 13/00; H01R 13/03; H01R 13/04; H01R 13/10; H01R 13/35; H01R 13/44; H01R 13/453; H01R 13/4534; H01R 13/502; H01R 13/514; H01R 13/631; H01R 13/639; H01R 13/6633; H01R 13/6666; H01R 13/6675; H01R 13/7135; H01R 31/02; H01R 31/06; H01R 31/065
See application file for complete search history.

D614,134 S * 4/2010 Chen D13/137.2
D618,617 S * 6/2010 Lee D13/137.2
D651,977 S * 1/2012 Lee D13/139.1
D736,710 S * 8/2015 Lin D13/137.2
D789,891 S * 6/2017 Eshelman D13/137.2
D821,978 S * 7/2018 Yu D13/139.7
D883,218 S * 5/2020 Eshelman D13/137.2

(Continued)

FOREIGN PATENT DOCUMENTS

CN 305766288 * 5/2020
CN 306704029 * 7/2021

OTHER PUBLICATIONS

“GE home electrical GE 3 T-Shaped Adapter, Power Outlet Extender, Grounded Wall Tap, Heavy Duty, UL Listed, Black, 50872, 1 Pack”, first available Jul. 6, 2020. Amazon.com [https://www.amazon.com/dp/B08CF3RKRX] (Year: 2020).*

(Continued)

Primary Examiner — Rosemary K Tarcza
Assistant Examiner — Seth David Kumpf

(57) **CLAIM**

The ornamental design for a multi-socket hub, as shown and described.

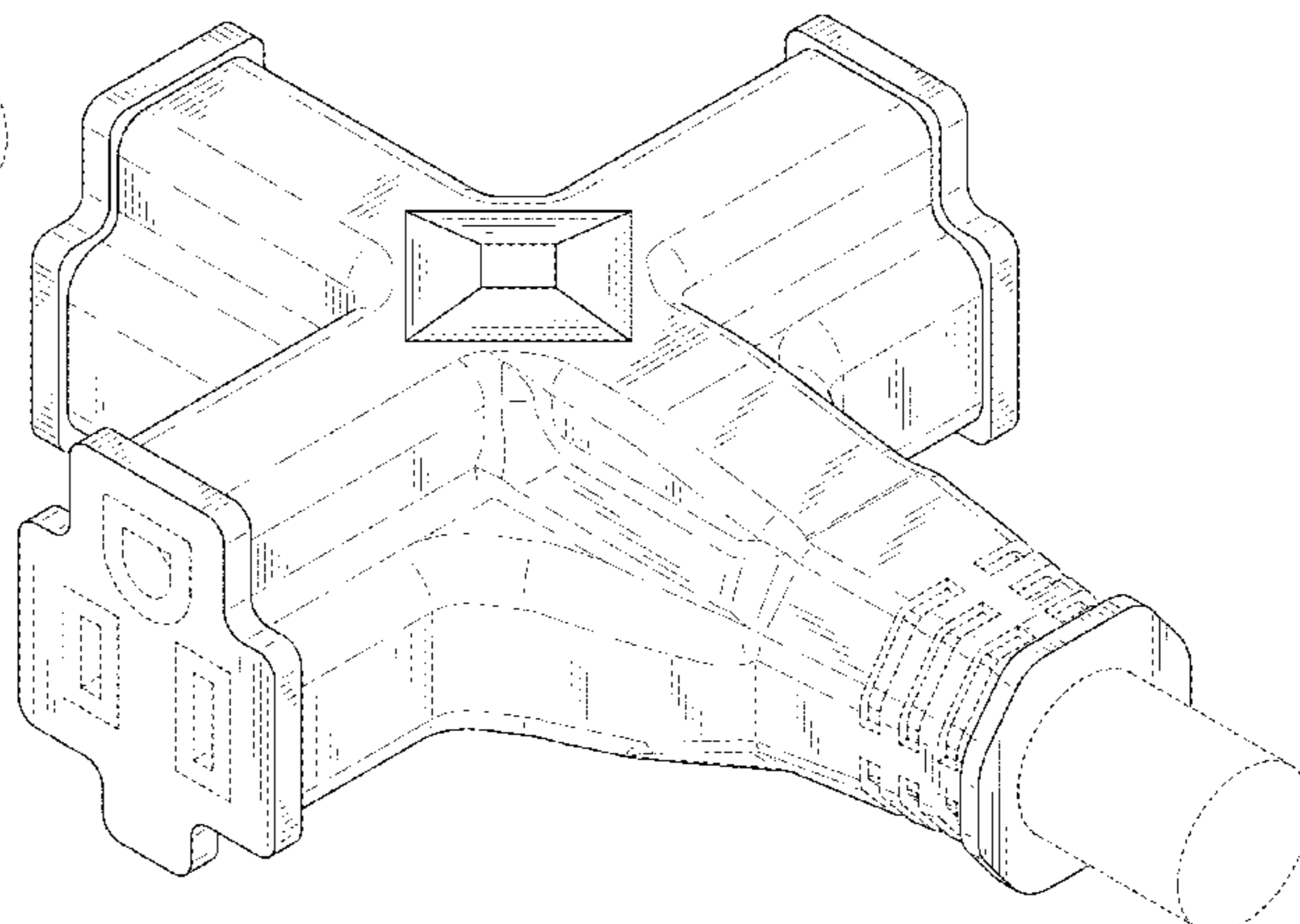
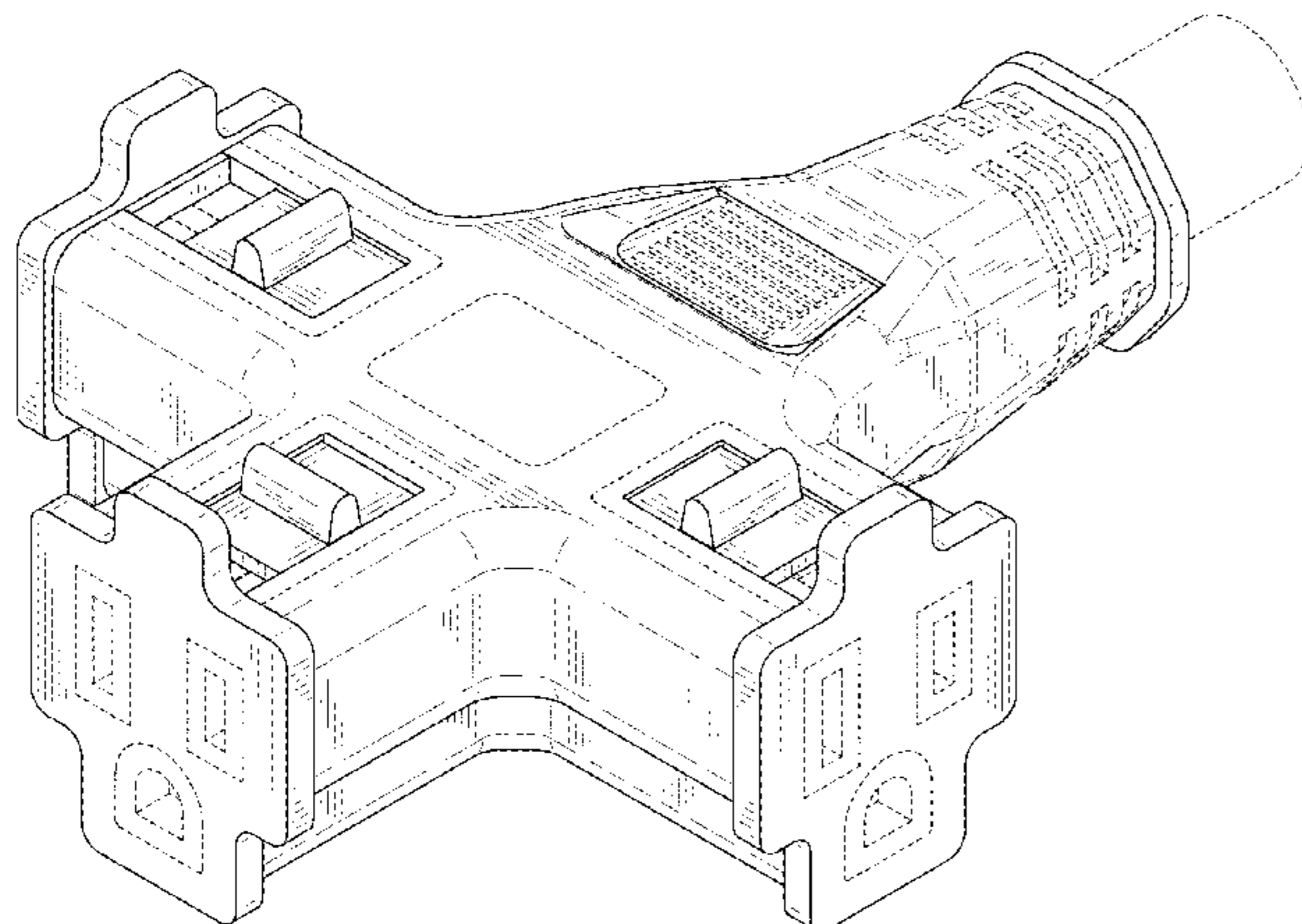
DESCRIPTION

FIG. 1 is a right, front, top perspective view of a multi-socket hub showing my new design;
FIG. 2 is a left, rear, bottom perspective view thereof;
FIG. 3 is a front elevational view thereof;
FIG. 4 is a rear elevational view thereof;
FIG. 5 is a top side elevational view thereof;
FIG. 6 is a bottom side elevational view thereof;
FIG. 7 is a right plan view thereof; and,
FIG. 8 is a left plan view thereof.

In the drawings, the broken lines depict portions of the multi-socket hub that form no part of the claimed design.

1 Claim, 8 Drawing Sheets

(56) **References Cited**
U.S. PATENT DOCUMENTS
D483,331 S * 12/2003 Adachi D13/139.7
D483,723 S * 12/2003 Adachi D13/139.7
D562,240 S * 2/2008 Lee D13/137.2
D599,290 S * 9/2009 Lee D13/137.2



(56)

References Cited

U.S. PATENT DOCUMENTS

10,847,923	B1 *	11/2020	Lin	H01R 13/514
D908,094	S *	1/2021	Yu	D13/139.7
D929,942	S *	9/2021	Lin	D13/137.2
D929,943	S *	9/2021	Lin	D13/137.2
D935,411	S *	11/2021	Tao	D13/137.2
2003/0181105	A1 *	9/2003	Lee	H01R 35/00 439/638
2004/0106312	A1 *	6/2004	Adachi	H01R 13/4532 439/138
2010/0167580	A1 *	7/2010	Lee	H01R 31/02 439/651
2013/0078861	A1 *	3/2013	Cheng	H01R 13/7175 439/620.02
2020/0368885	A1 *	11/2020	Shen	H01R 13/6395

OTHER PUBLICATIONS

“KASONIC 3-Outlet Grounding Adapter 2 Pack, Heavy-Duty Grounded Power Tap, UL Listed Plug Extender (White)”, first available Mar. 9, 2020. Amazon.com [https://www.amazon.com/dp/B085PSH9JB] (Year: 2020).*

“Maxlin Cable Heavy Duty Outlet Extender T-Shaped Adapter with 15 Amps 125V 50 Hz 1875 Watts 3 Plug Outlet Adapter UL Listed 3 Outlet Wall Adapter Wall Plug Extender Multi Outlet Adapter Black 2 Pack”, first available Oct. 30, 2019. Amazon.com [https://www.amazon.com/dp/B07ZQVLGV5] (Year: 2019).*

“Superdanny ETL Listed 3-Outlet Grounding Adapter, Heavy Duty 3-Prong Power Extender, Wall Socket Grounded Power Tap, 392° F. Fire-Retardant Material for Industrial Household Appliances, Orange, 2 Pack”, first available Dec. 18, 2020. Amazon.com [https://www.amazon.com/dp/B08PBCJWX4] (Year: 2020).*

* cited by examiner

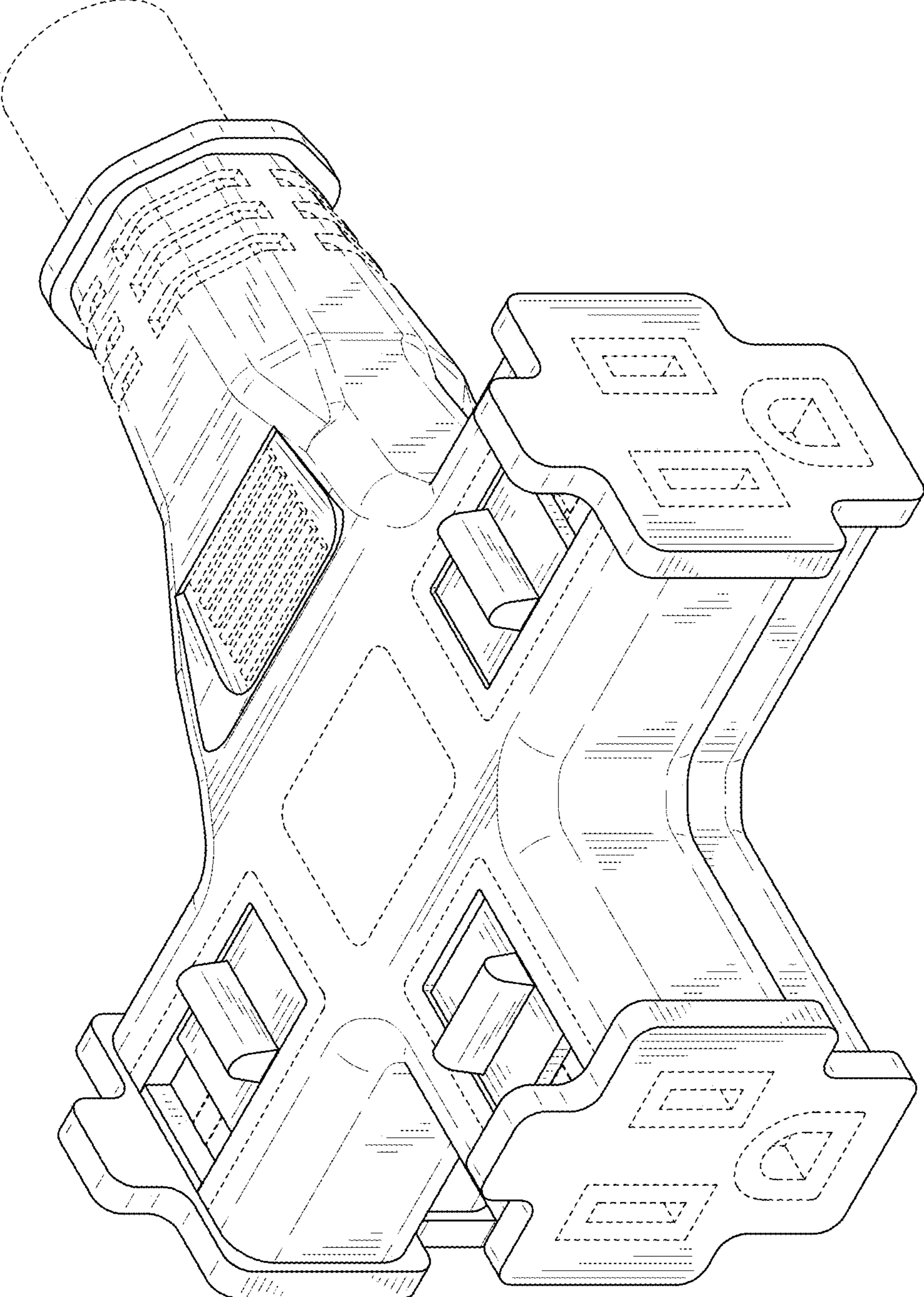


FIG. 1

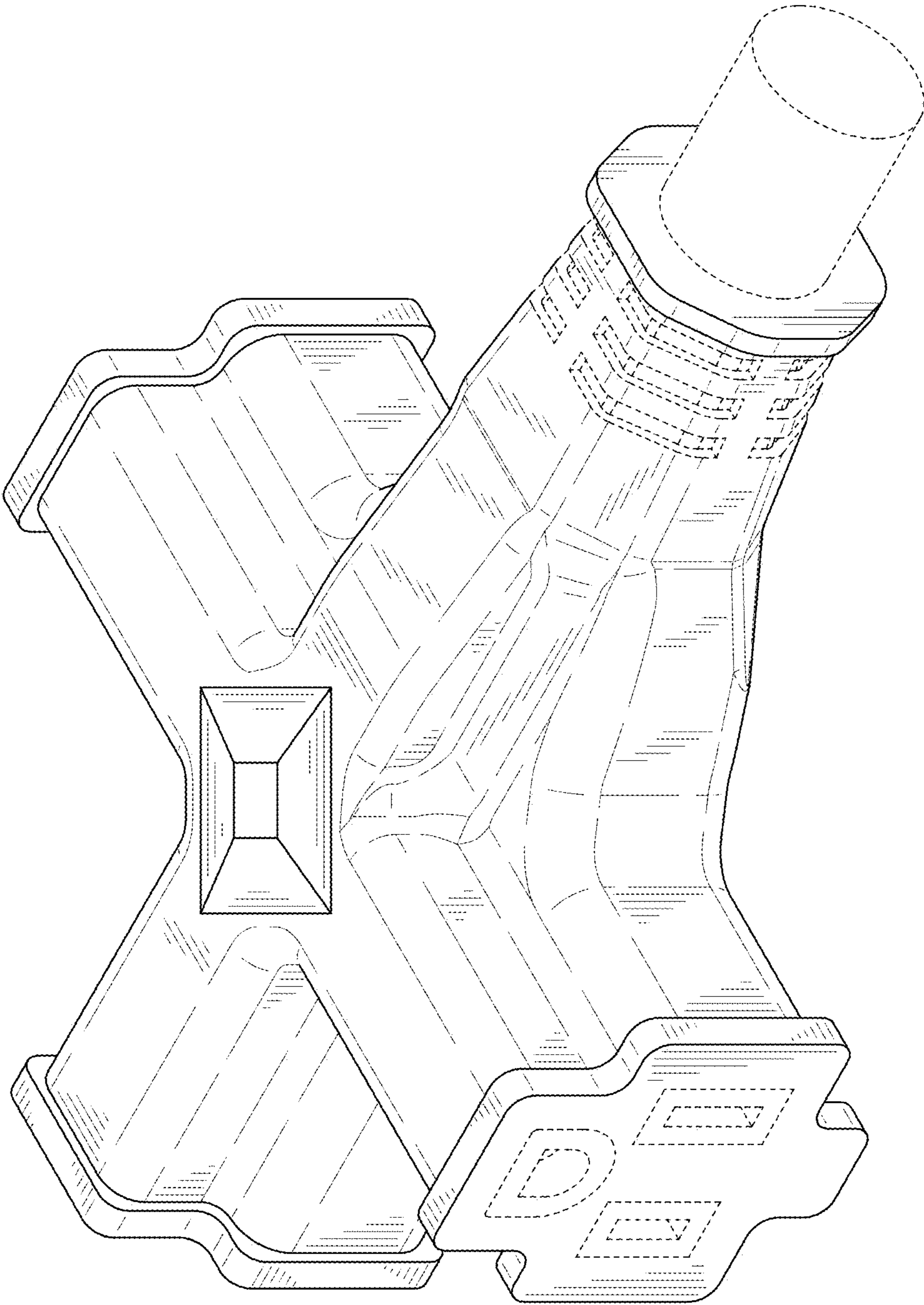


FIG. 2

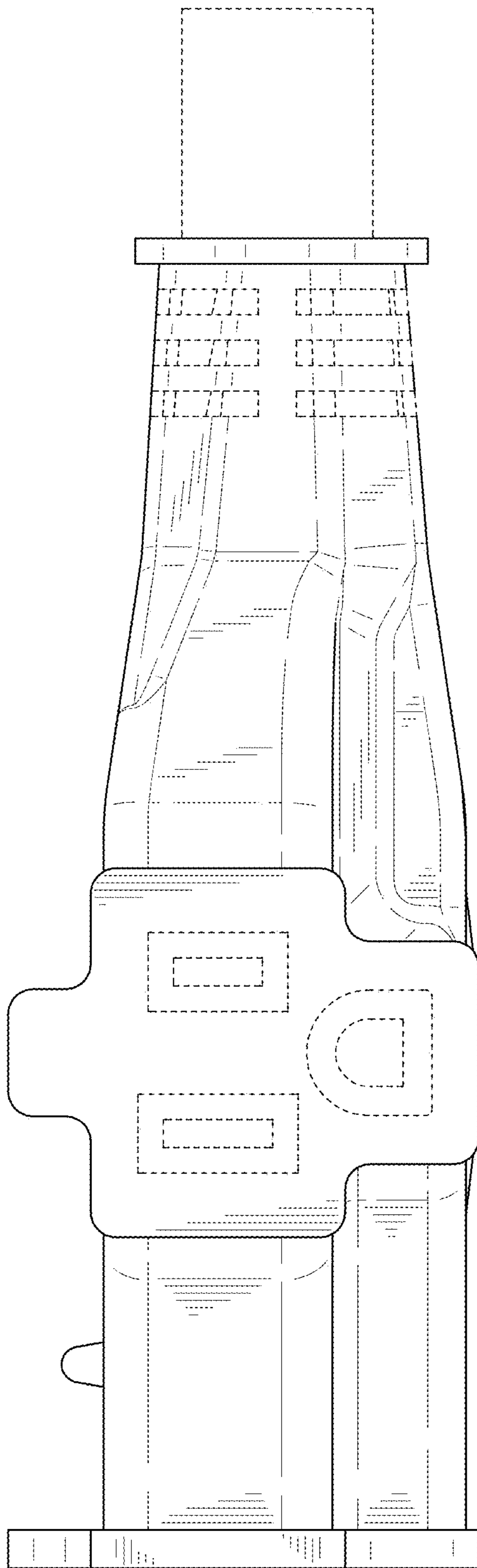


FIG. 3

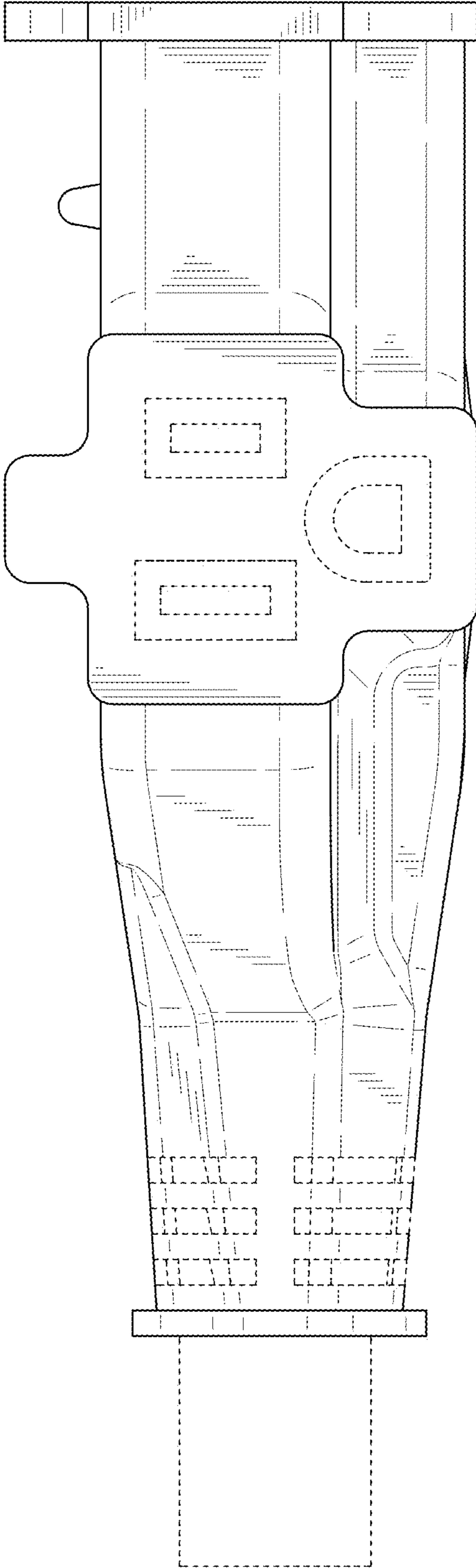


FIG. 4

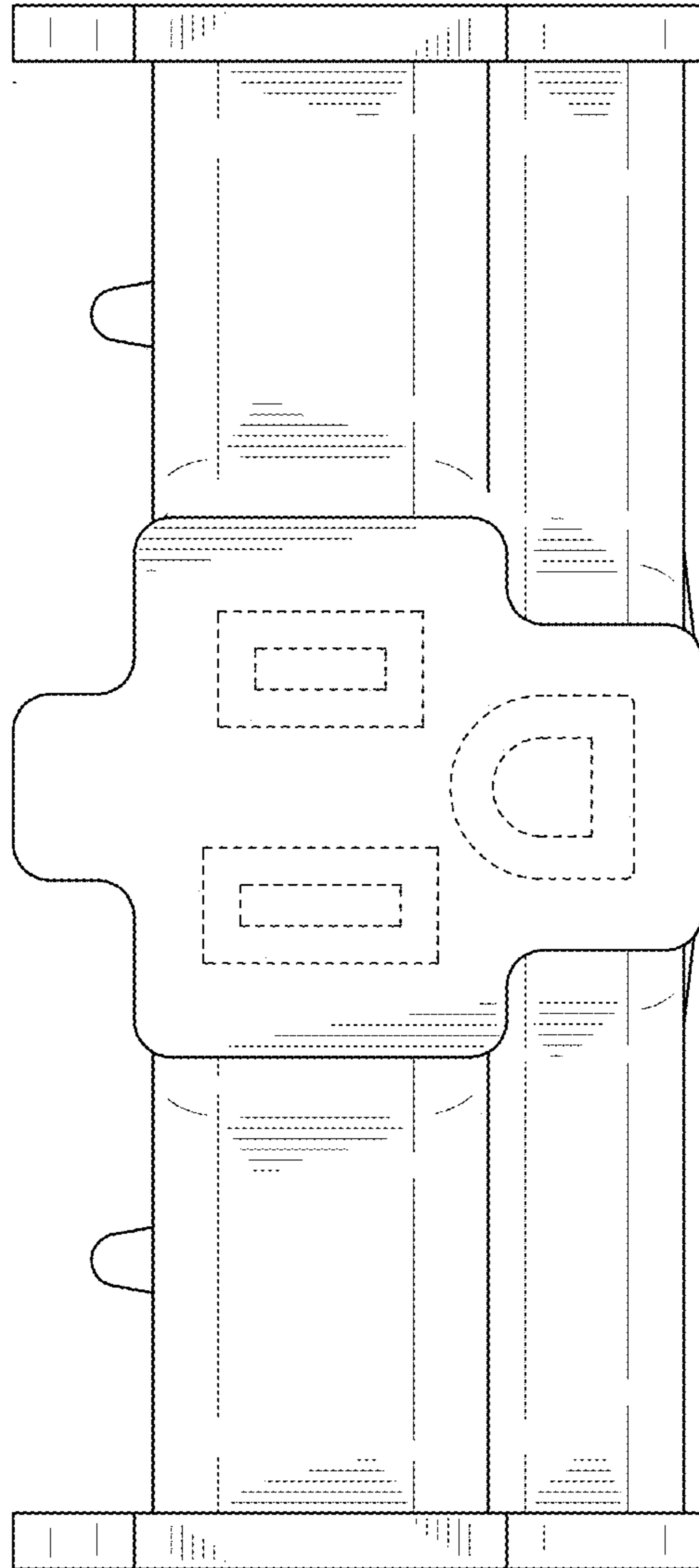


FIG. 5

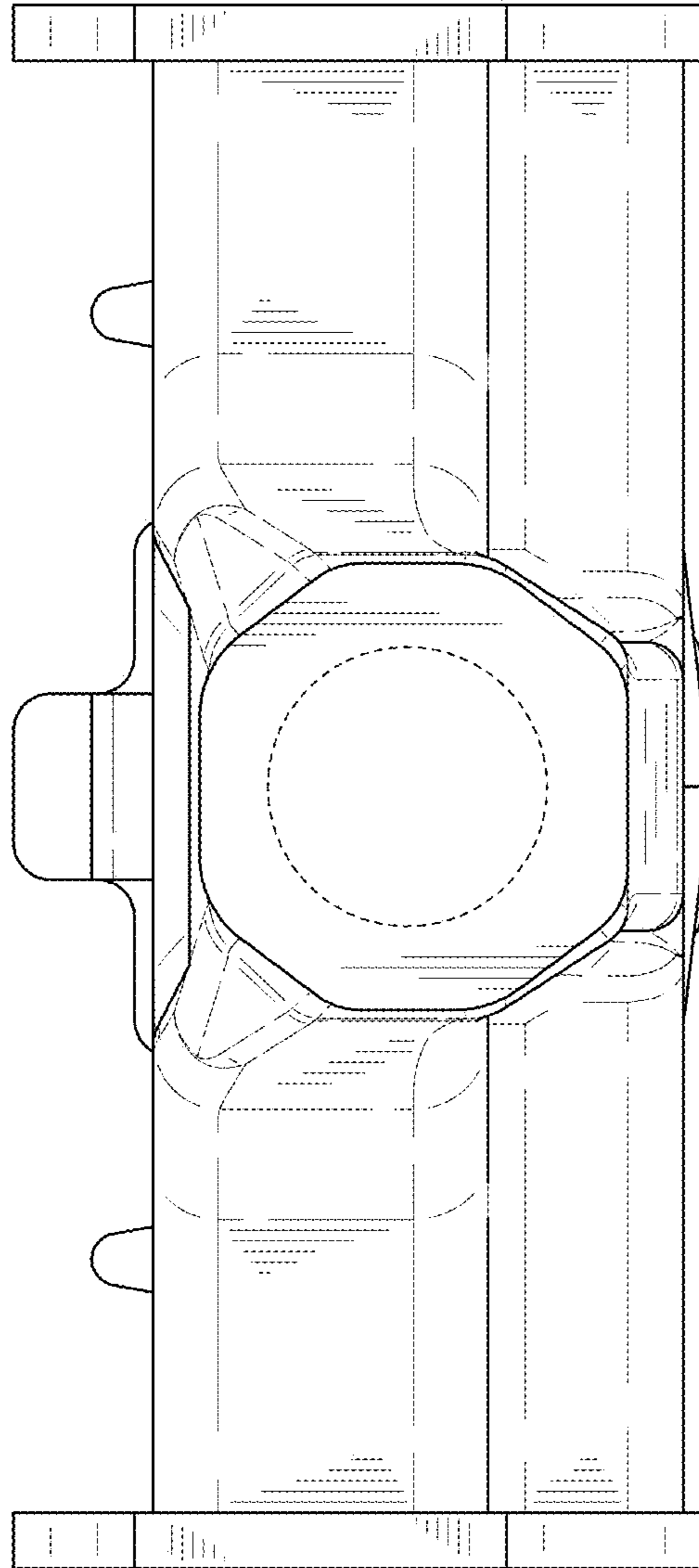


FIG. 6

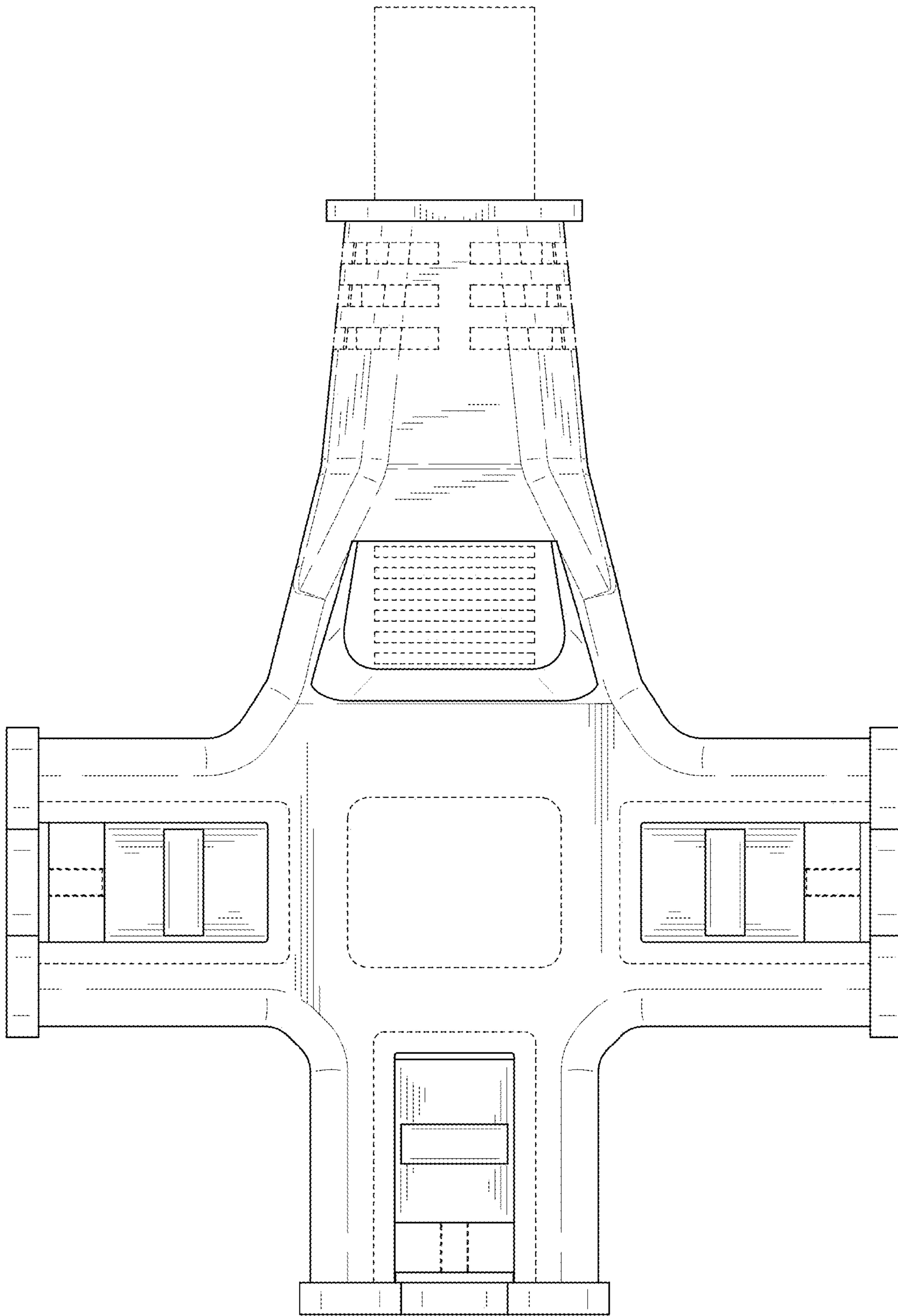


FIG. 7

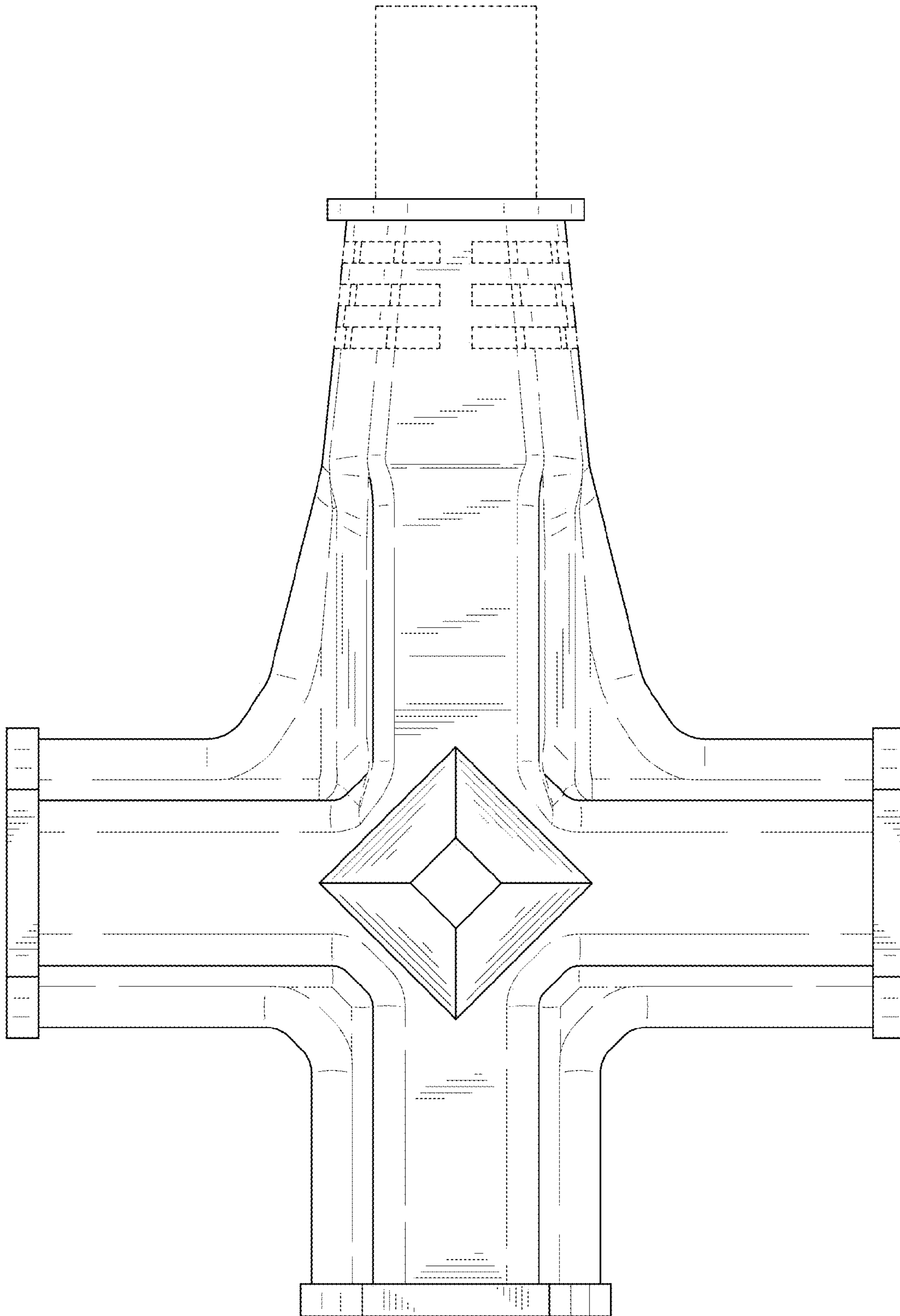


FIG. 8