



US00D957342S

(12) **United States Design Patent**
Zhou

(10) **Patent No.:** **US D957,342 S**
(45) **Date of Patent:** **** Jul. 12, 2022**

(54) **SOCKET**

(71) Applicant: **Xiaoqin Zhou**, Jurong (CN)

(72) Inventor: **Xiaoqin Zhou**, Jurong (CN)

(**) Term: **15 Years**

(21) Appl. No.: **29/798,249**

(22) Filed: **Jul. 7, 2021**

(51) **LOC (13) Cl.** **13-03**

(52) **U.S. Cl.**
USPC **D13/137.2**

(58) **Field of Classification Search**
USPC D13/123, 133, 147, 137.1–137.4,
D13/139.1–139.8, 173, 184, 199
CPC H01R 25/006; H01R 31/02; H01R 31/065;
H01R 24/68; H01R 13/5213; H02G 3/14
See application file for complete search history.

(56) **References Cited**

U.S. PATENT DOCUMENTS

D195,955 S *	8/1963	Carlson	D13/137.1
3,997,225 A *	12/1976	Horwinski	H01R 13/648
				439/652
4,897,049 A *	1/1990	Miller	H01R 25/006
				439/652
D312,615 S *	12/1990	Schwartz	D13/137.2
5,094,630 A *	3/1992	Jammet	H01R 31/02
				439/652
D361,315 S *	8/1995	Wedell	D13/160
D364,379 S *	11/1995	Pogue	D13/160
D367,038 S *	2/1996	Fladung	D13/137.2
D379,796 S *	6/1997	Bagga	D13/139.4
D443,589 S *	6/2001	Tong	D13/137.2
D582,346 S *	12/2008	Zhou	D13/137.2
7,482,537 B1 *	1/2009	Shotey	H02G 3/14
				33/528
8,834,210 B2 *	9/2014	Brausen	H01R 13/7135
				439/718

(Continued)

OTHER PUBLICATIONS

Multi Plug Outlet, Surge Protector, ANHAORUI Outlet Splitter, dated Oct. 8, 2020, [online], [site visited Mar. 30, 2022. Available from Internet, URL: <https://www.amazon.com/dp/B08KVV473Z/> (Year: 2020).*

(Continued)

Primary Examiner — Shawn T Gingrich

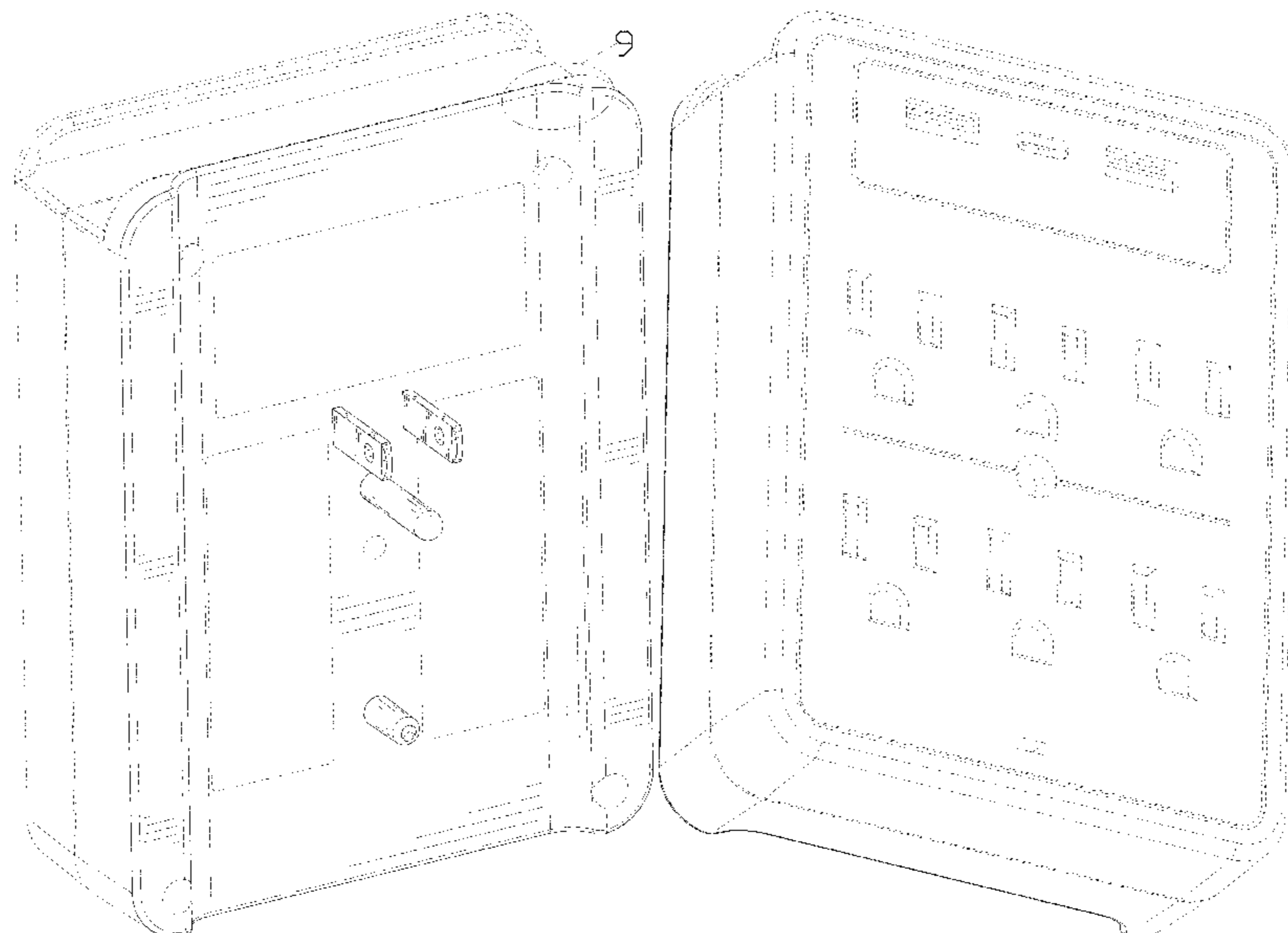
(57) **CLAIM**

The ornamental design for a socket, as shown and described.

DESCRIPTION

FIG. 1 is a perspective view of a first embodiment of a socket showing my new design;
 FIG. 2 is another perspective view thereof;
 FIG. 3 is a front elevational view thereof;
 FIG. 4 is a rear elevational view thereof;
 FIG. 5 is a left side elevational view thereof;
 FIG. 6 is a right side elevational view thereof;
 FIG. 7 is a top plan view thereof;
 FIG. 8 is a bottom plan view thereof;
 FIG. 9 is an enlarged view of portion 9 shown in FIG. 1;
 FIG. 10 is a perspective view of a second embodiment of the socket showing my new design;
 FIG. 11 is another perspective view thereof;
 FIG. 12 is a front elevational view thereof;
 FIG. 13 is a rear elevational view thereof;
 FIG. 14 is a left side elevational view thereof;
 FIG. 15 is a right side elevational view thereof;
 FIG. 16 is a top plan view thereof;
 FIG. 17 is a bottom plan view thereof; and,
 FIG. 18 is an enlarged view of portion 18 shown in FIG. 10.
 The broken lines in the drawings depict boundaries or portions of the socket that form no part of the claimed design.

1 Claim, 18 Drawing Sheets



(56)

References Cited

U.S. PATENT DOCUMENTS

D727,853 S * 4/2015 Clayton D13/156
D734,253 S * 7/2015 Tinaphong H01R 13/70
D13/137.1
D751,038 S * 3/2016 Lin D13/137.2
D858,448 S 9/2019 Zhou
D881,809 S * 4/2020 Lyu D13/137.2
D886,064 S 6/2020 Chen
D895,554 S * 9/2020 Jianting D13/137.2
D924,806 S * 7/2021 Li D13/137.2
11,271,351 B1 * 3/2022 Chen H01R 31/02
D947,775 S * 4/2022 Rajasekaran D13/137.2
D947,781 S * 4/2022 Wei D13/137.2
2004/0121648 A1 * 6/2004 Voros H01R 13/6215
439/535

OTHER PUBLICATIONS

POWRUI Surge Protector, USB Wall Charger with 2 USB Charging Ports, dated May 29, 2018, [online], [site visited Mar. 30, 2022]. Available from Internet, URL: <https://www.amazon.com/dp/B07DCRVBYX/> (Year: 2018).*

* cited by examiner

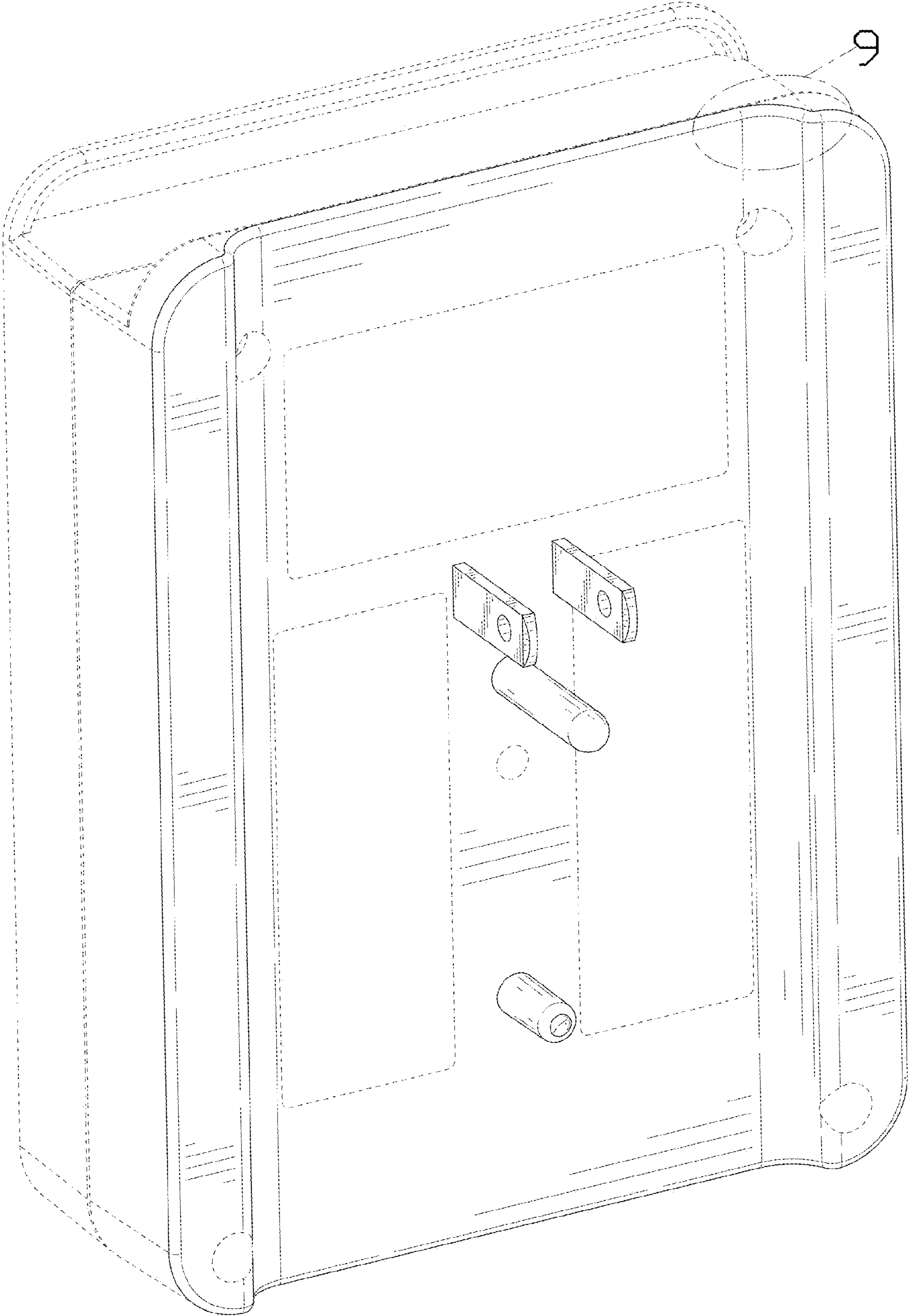


FIG. 1

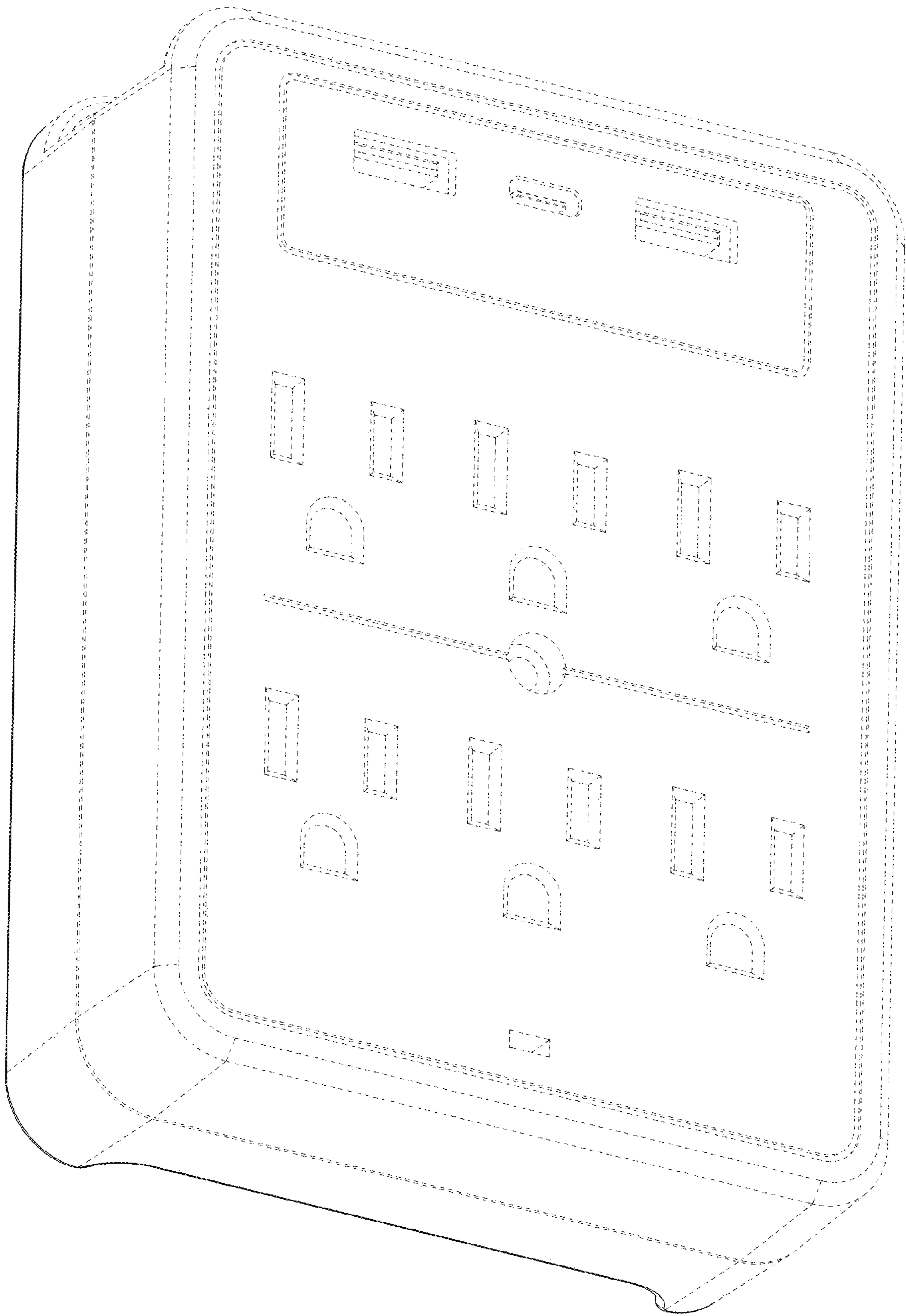


FIG. 2

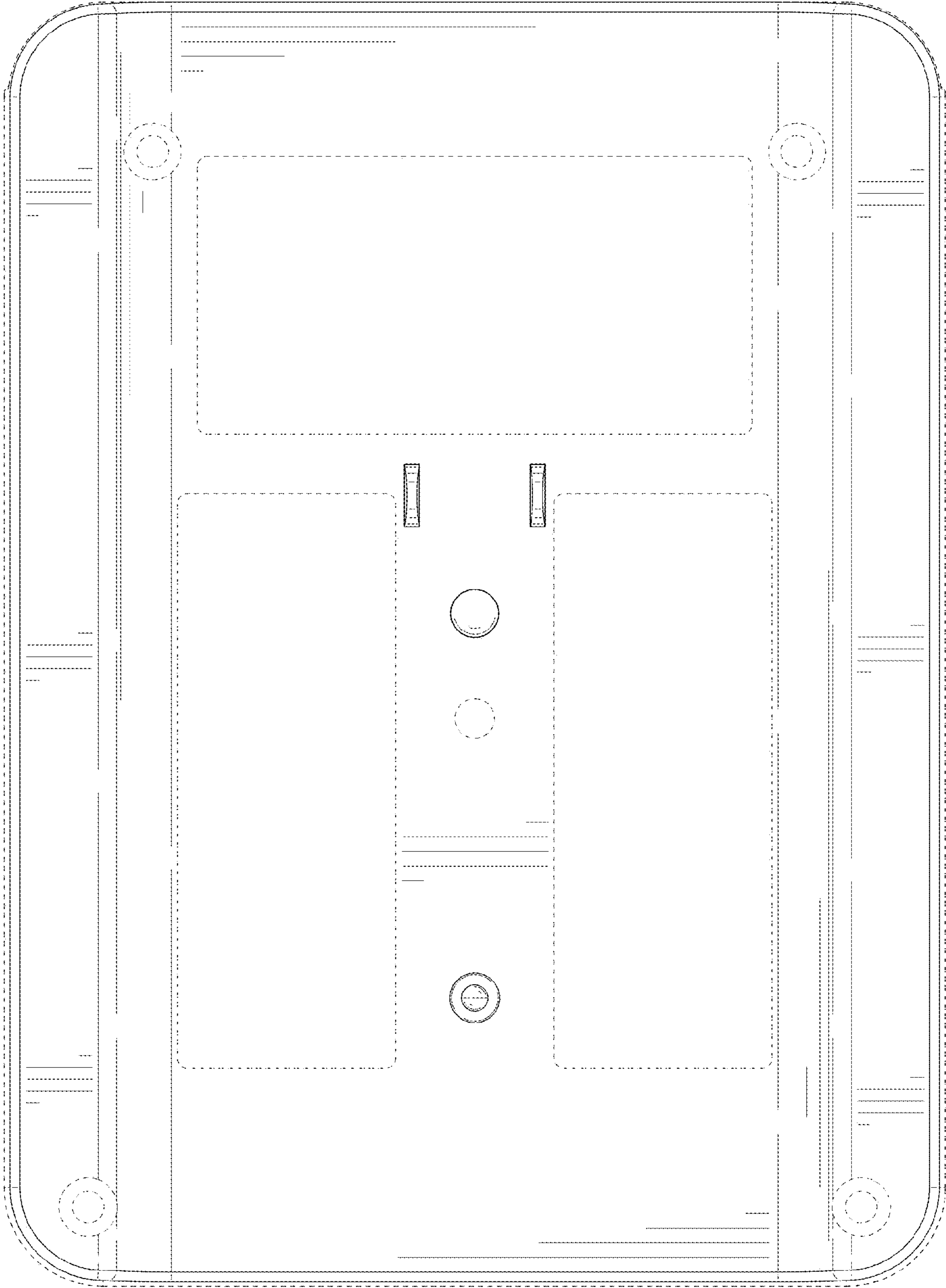


FIG. 3

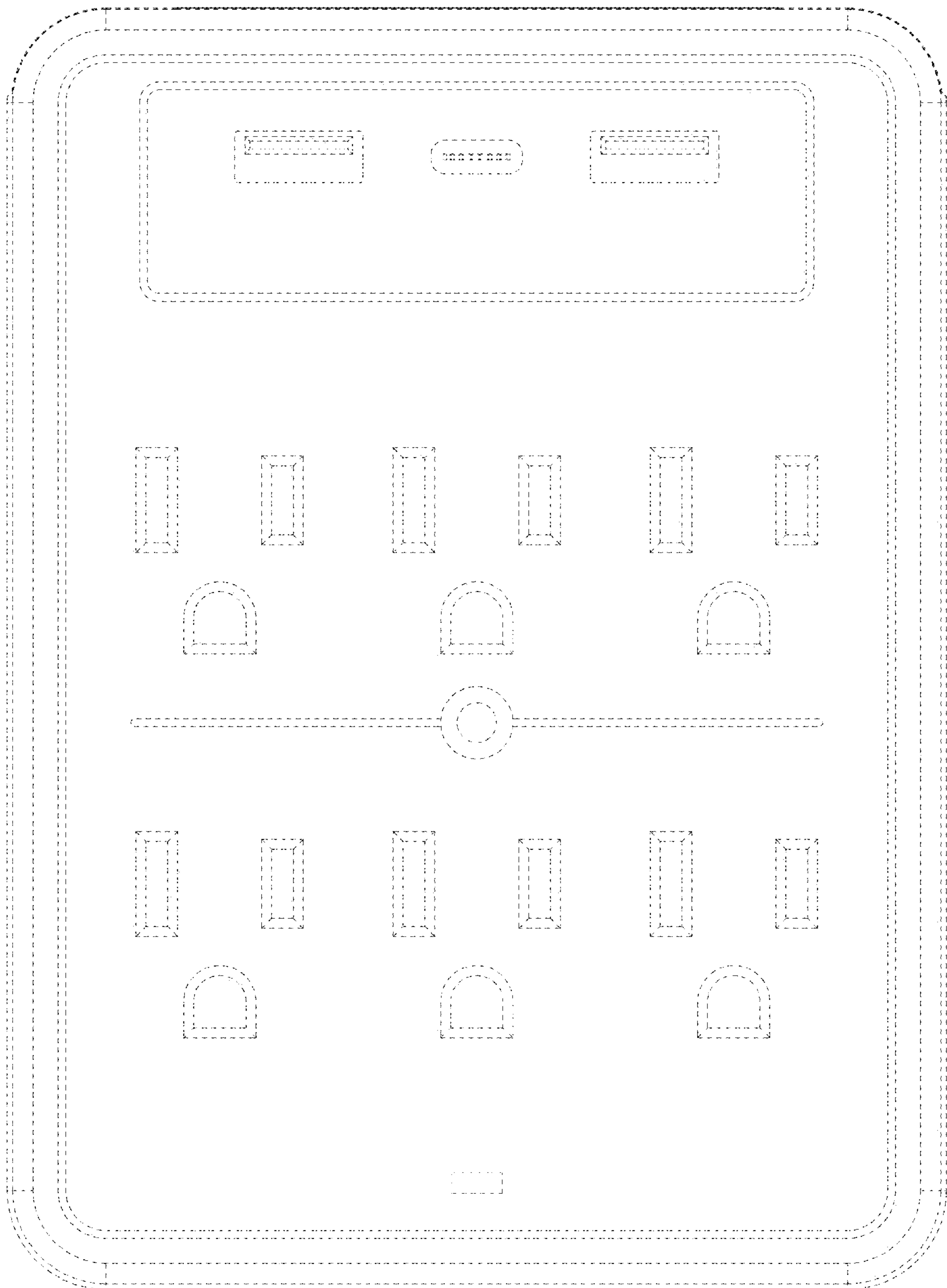


FIG. 4

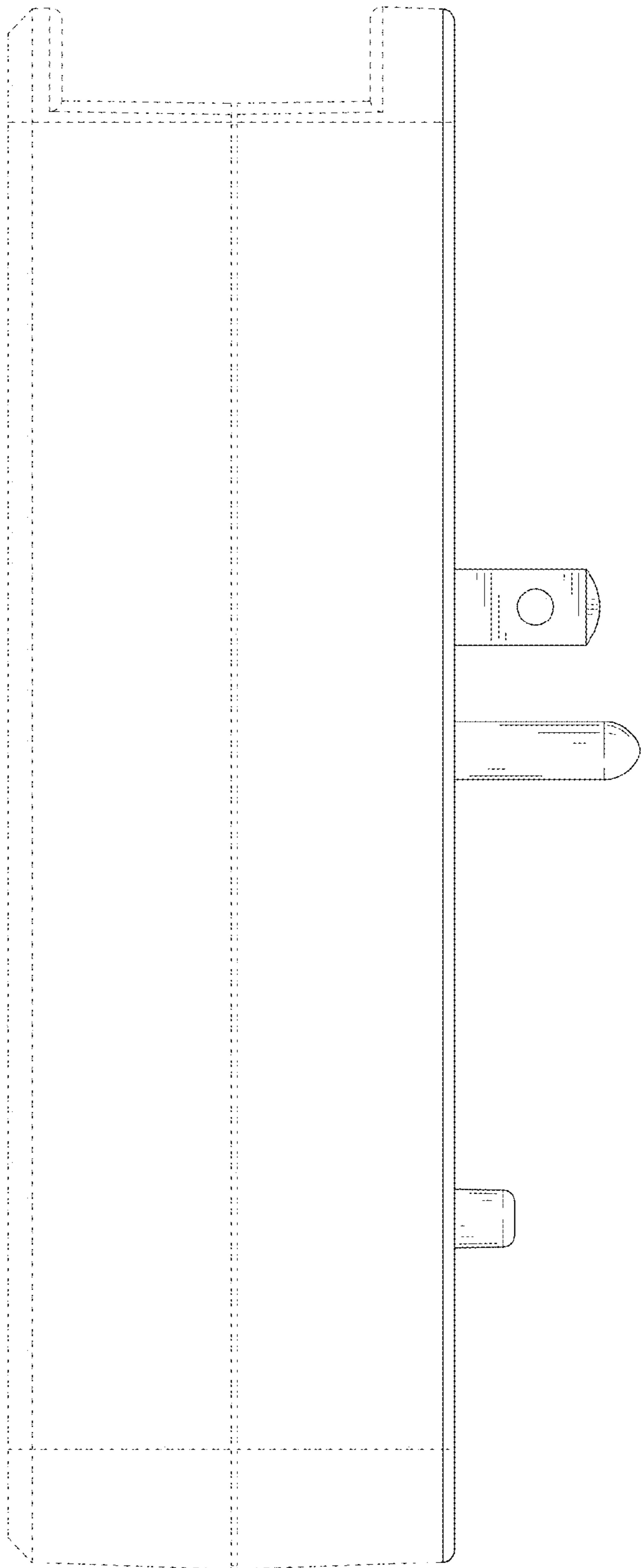


FIG. 5

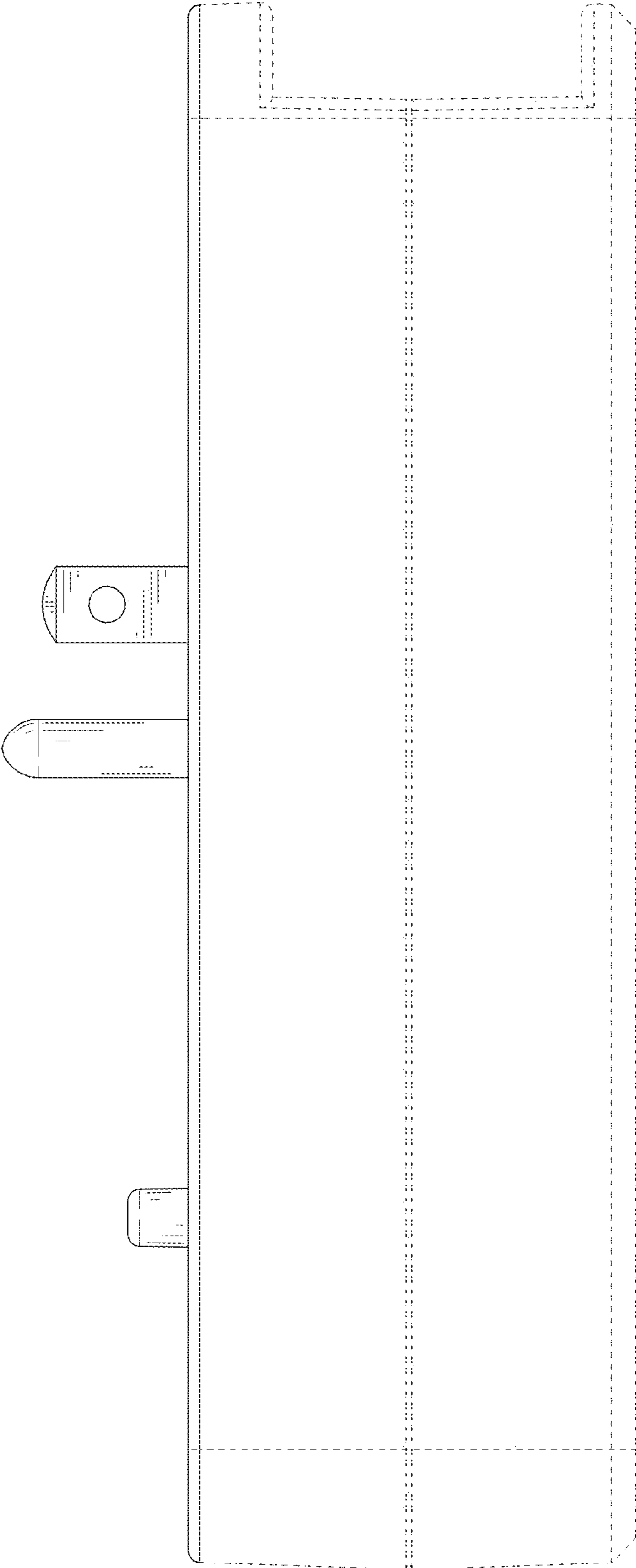


FIG. 6

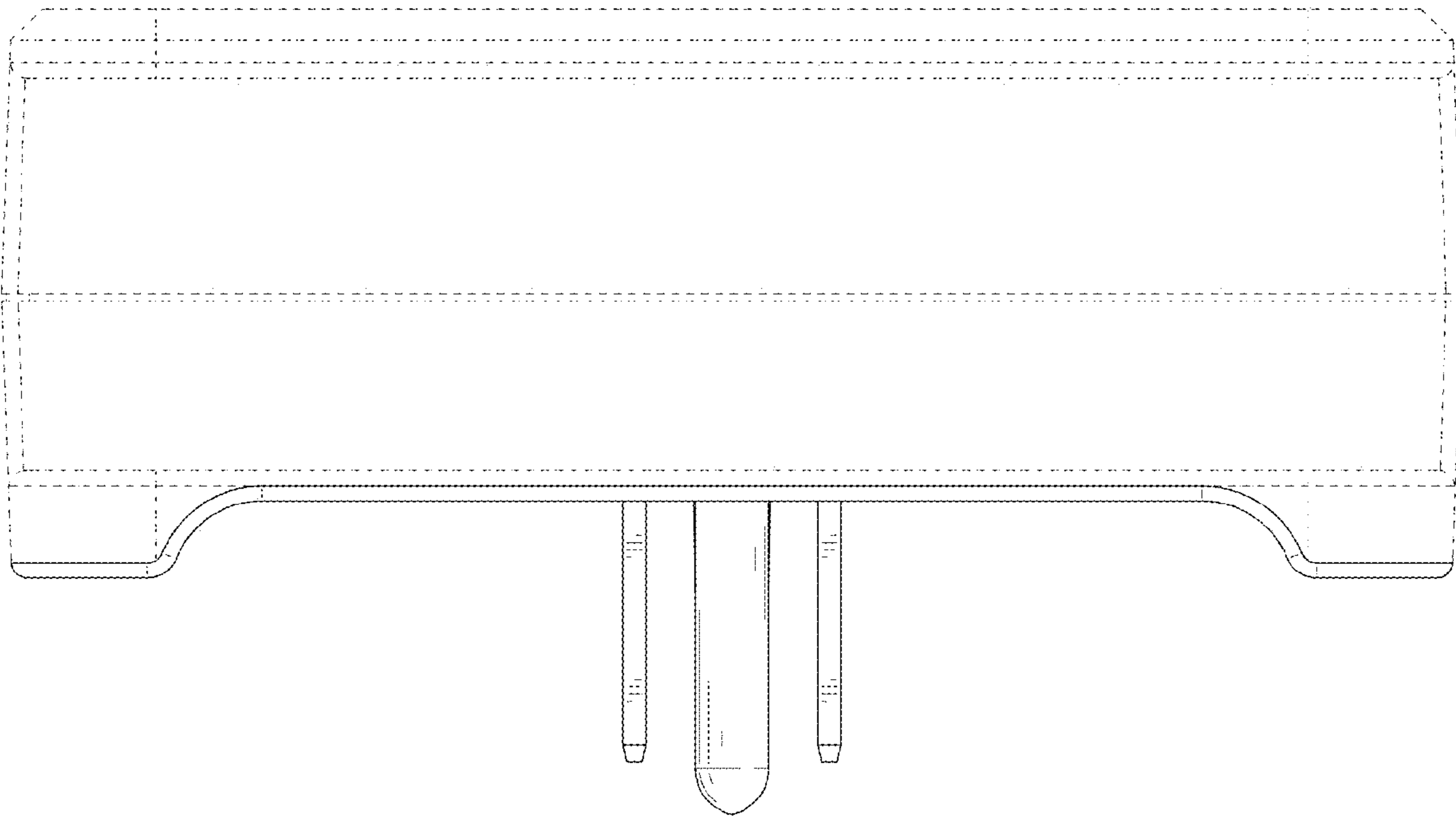


FIG. 7

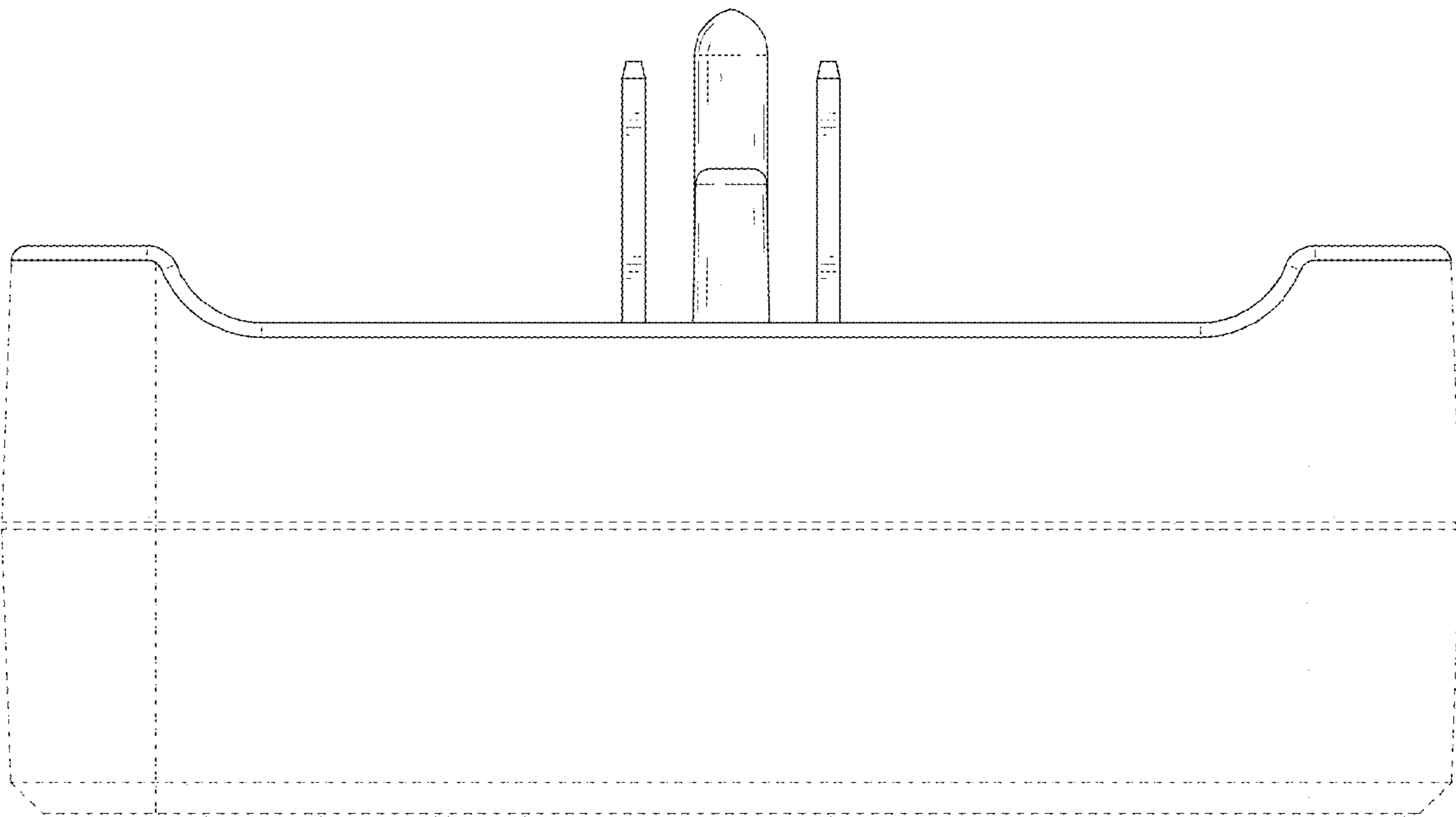


FIG. 8

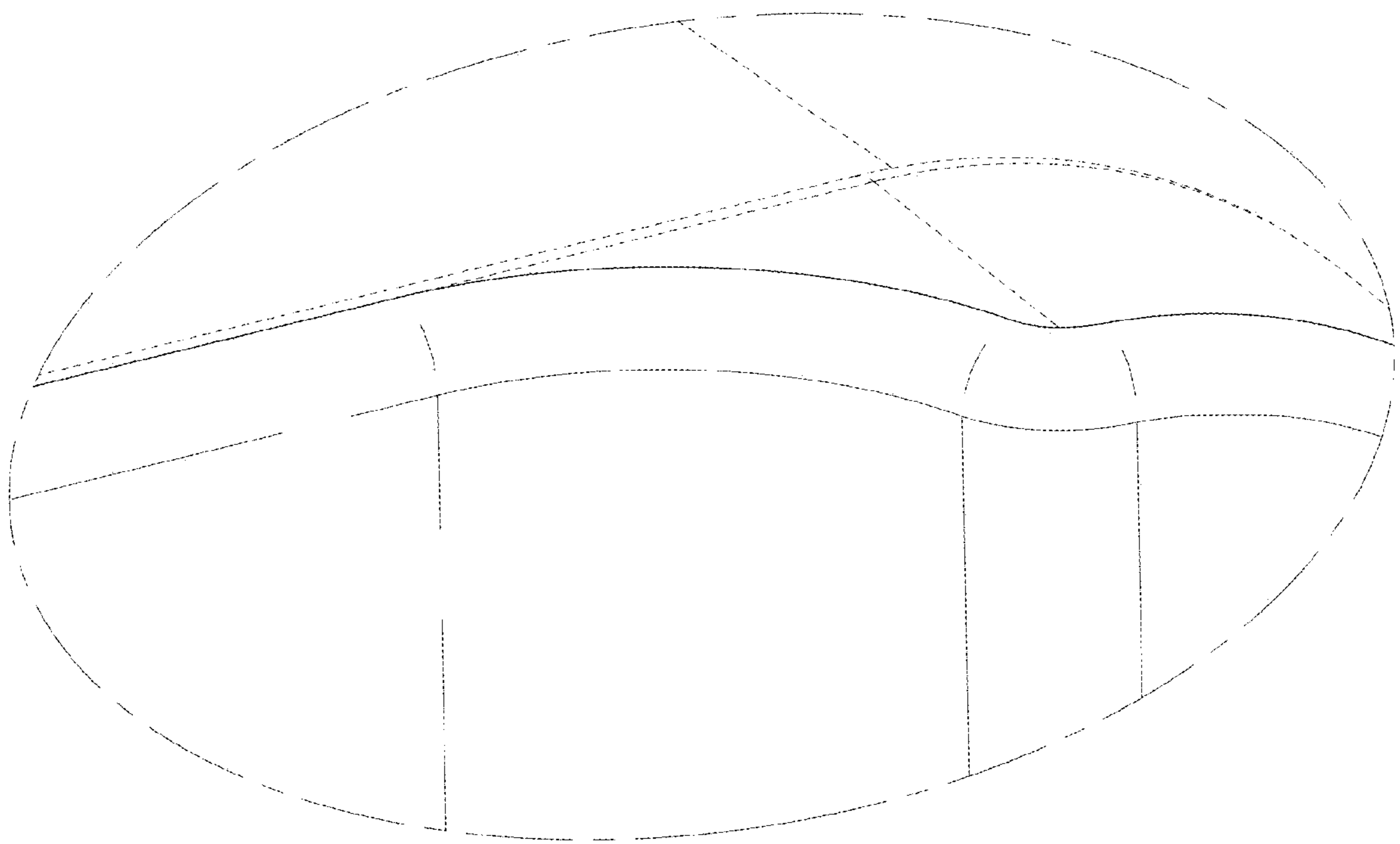


FIG. 9

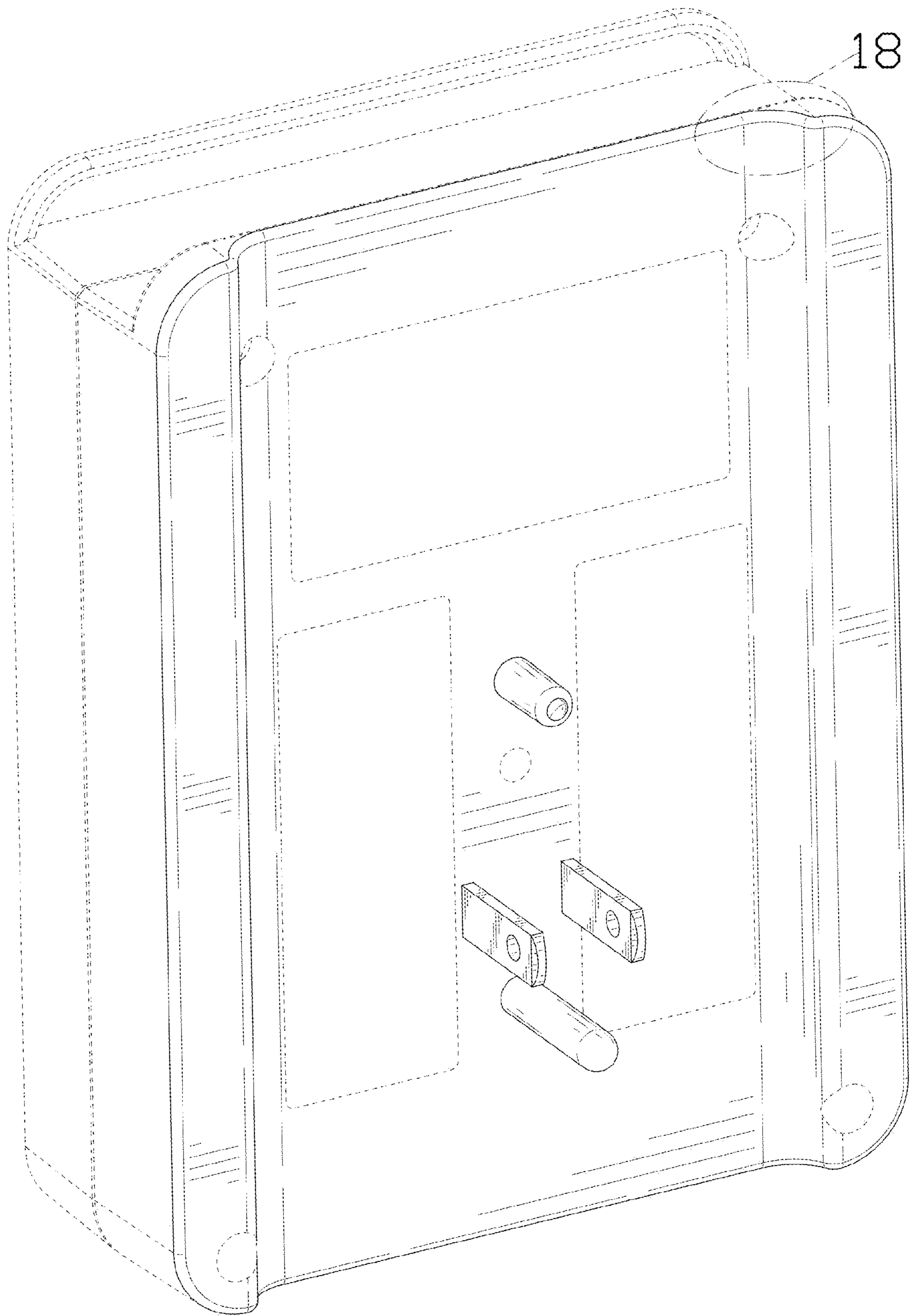


FIG. 10

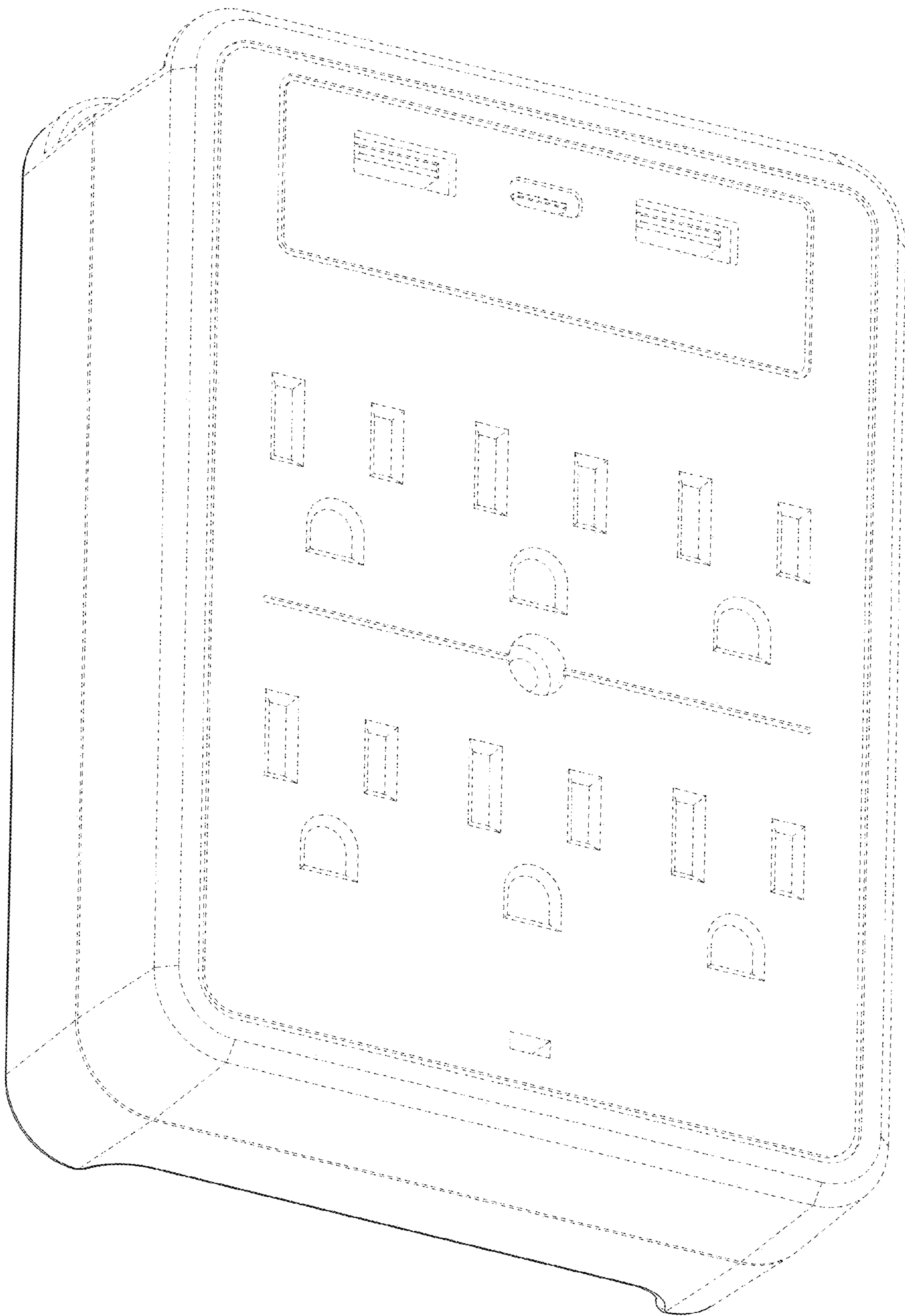


FIG. 11

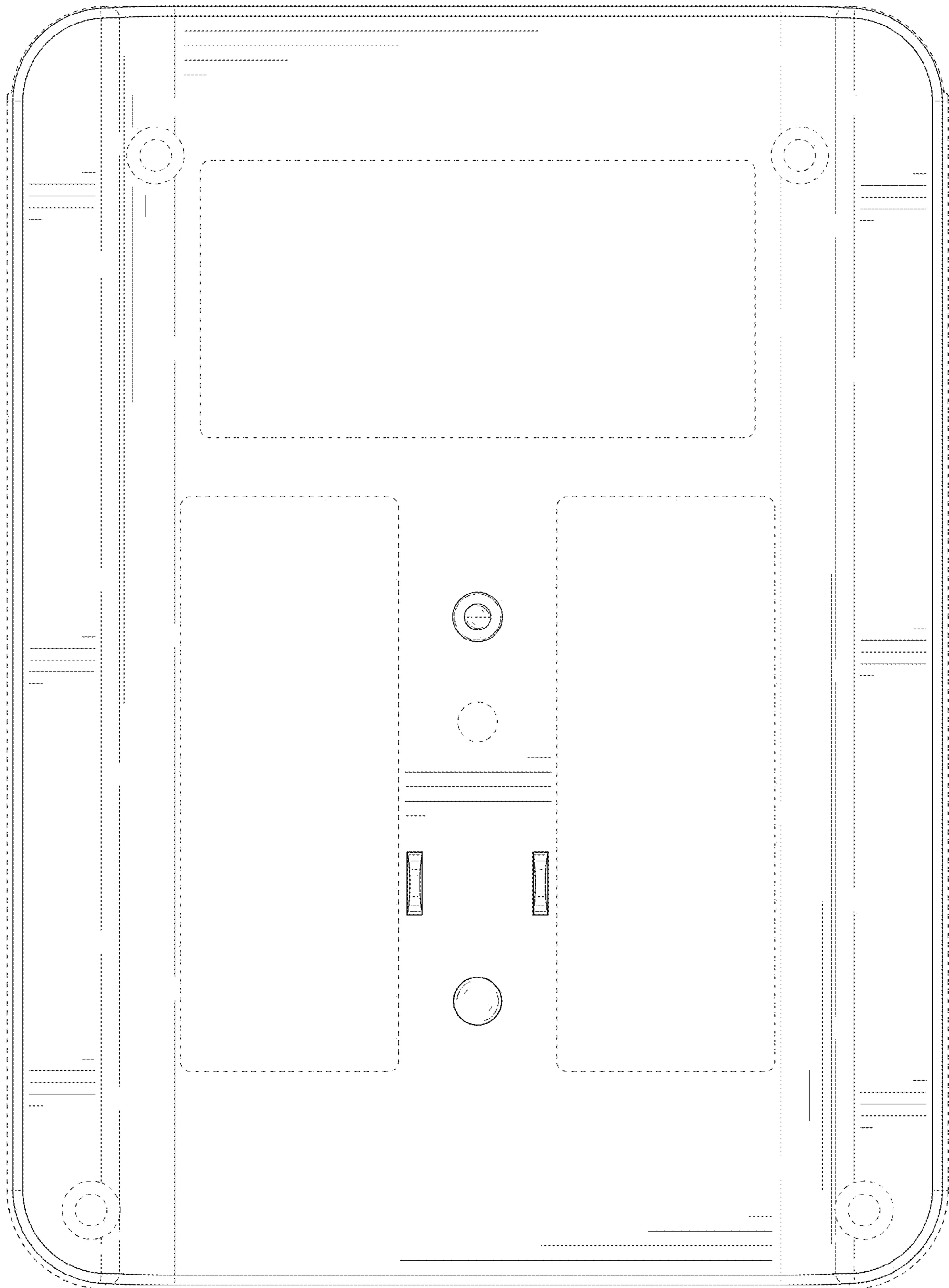


FIG. 12

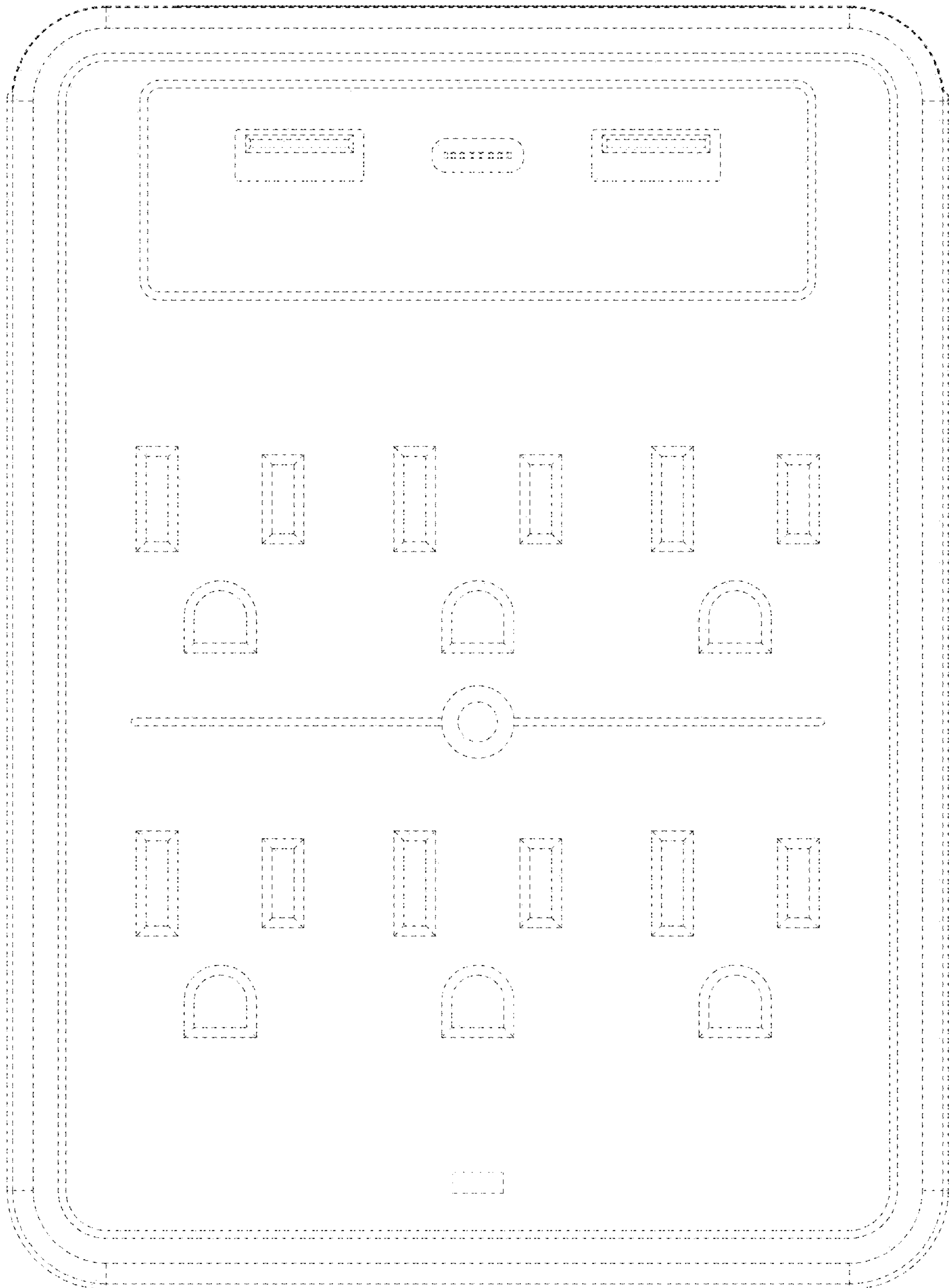


FIG. 13

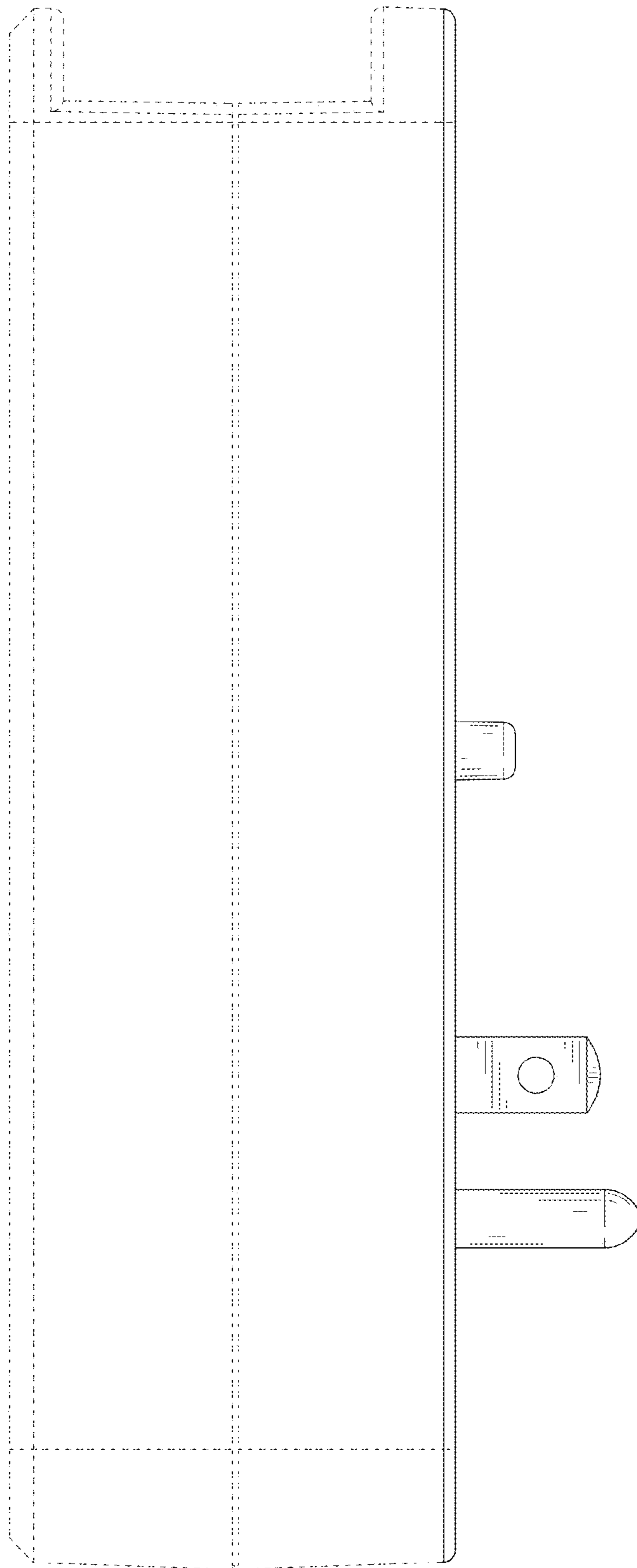


FIG. 14

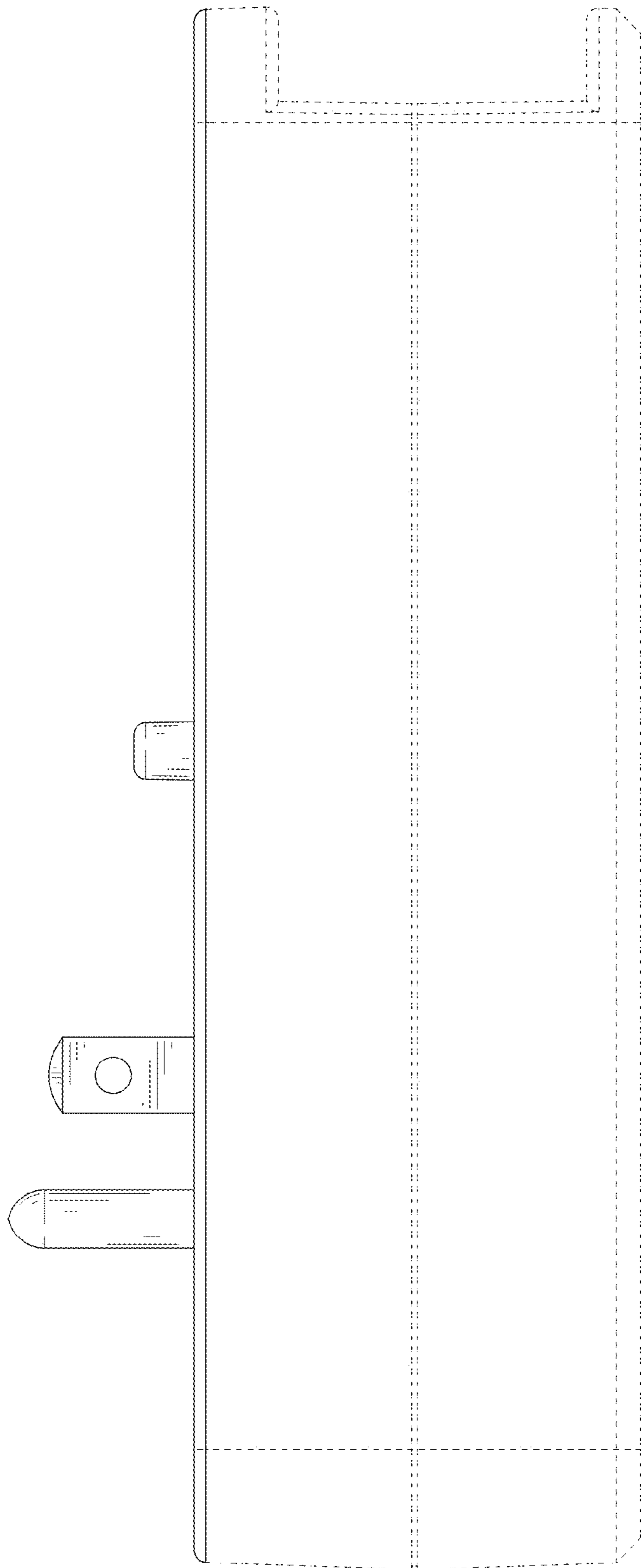


FIG. 15

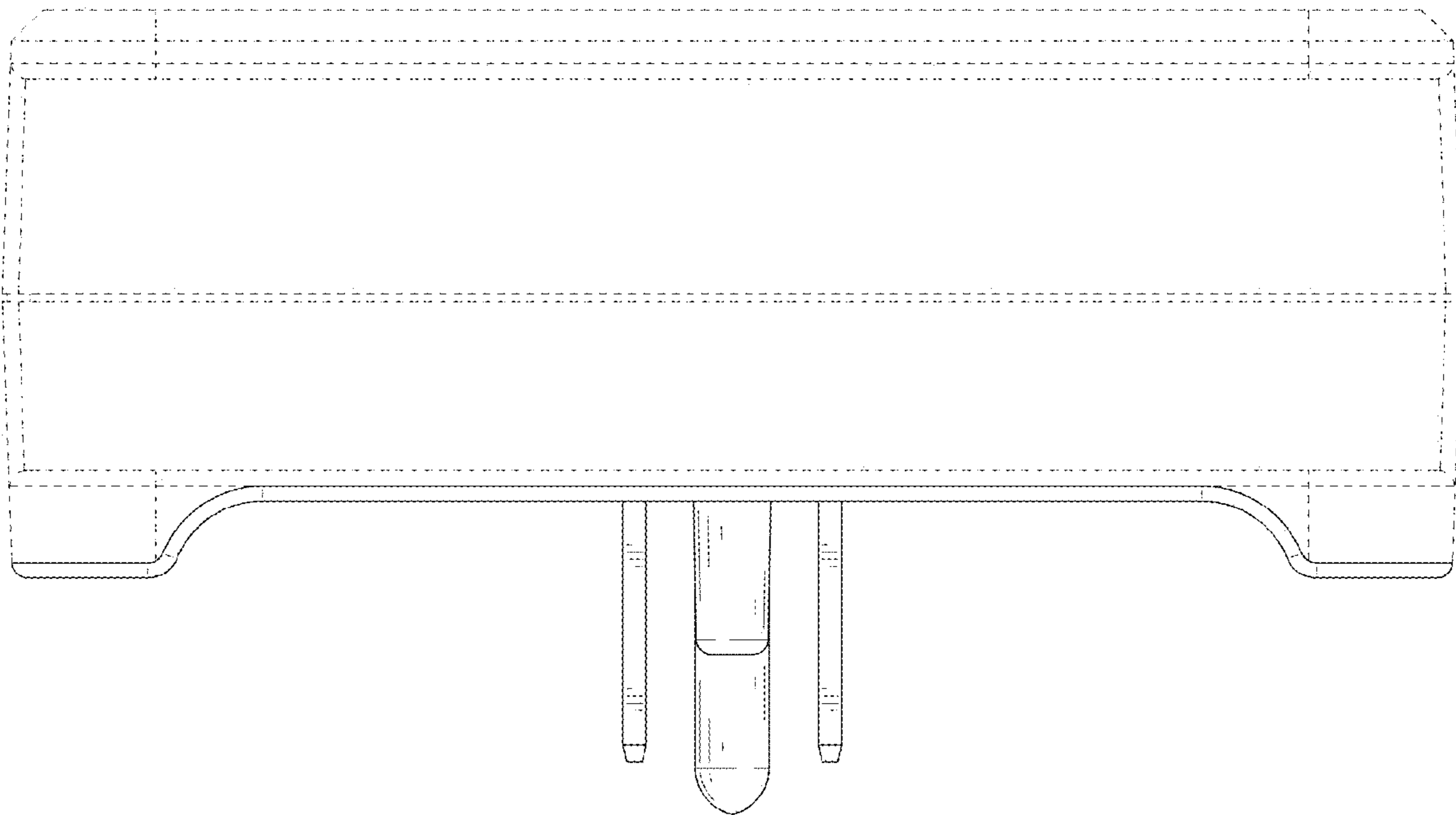


FIG. 16

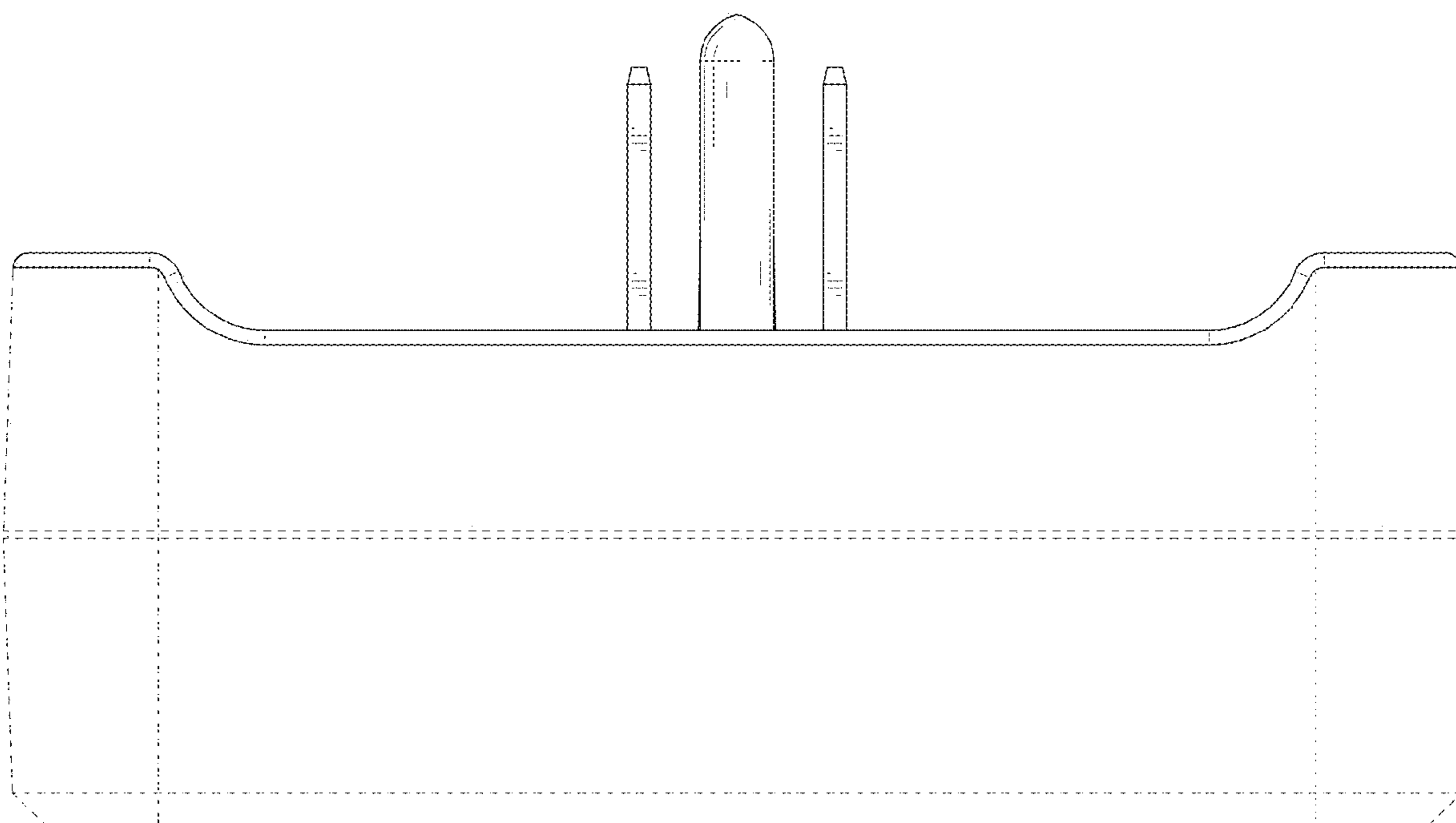


FIG. 17

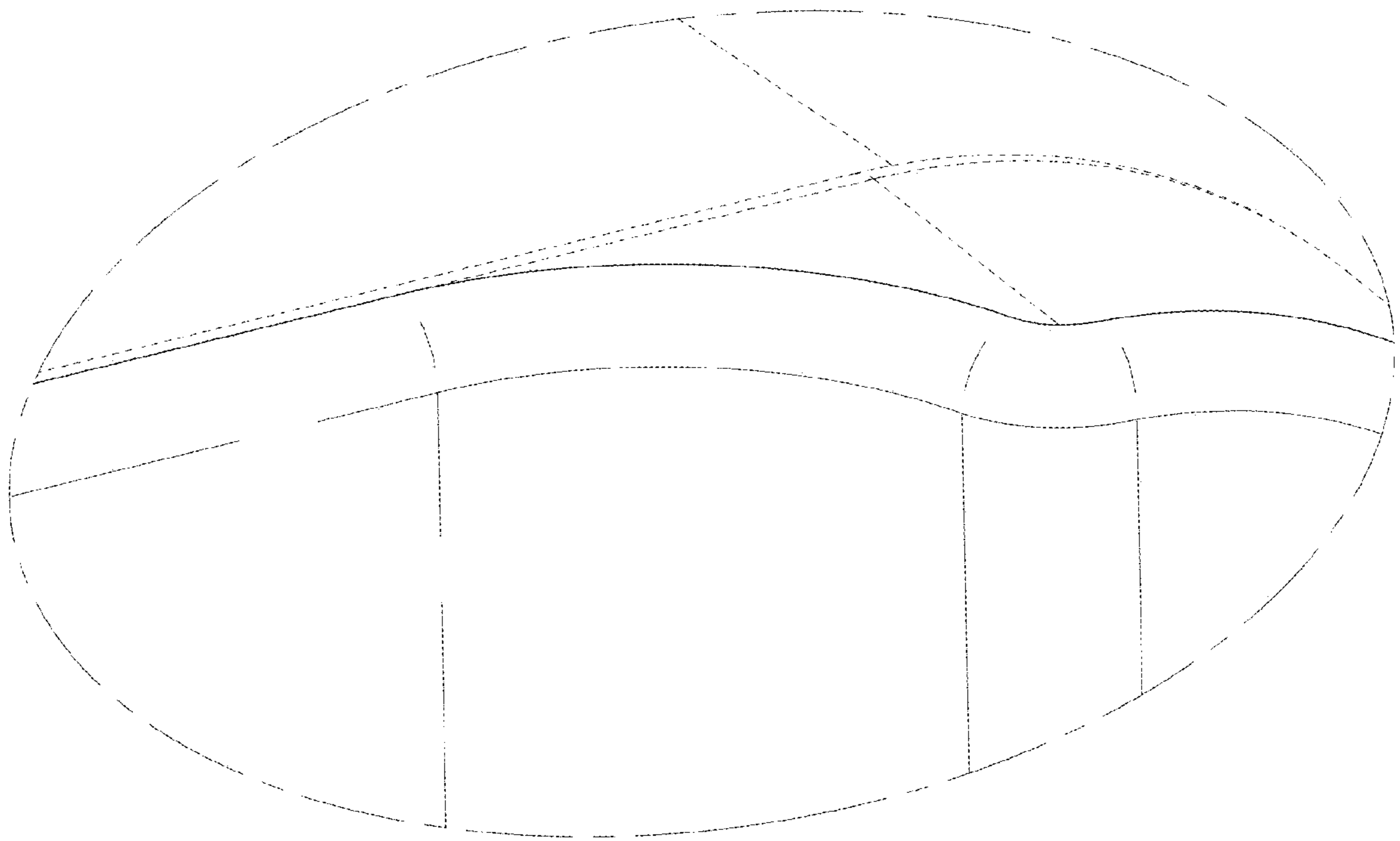


FIG. 18