



US00D957340S

(12) **United States Design Patent**
Mei

(10) **Patent No.:** **US D957,340 S**
(45) **Date of Patent:** **** Jul. 12, 2022**

(54) **SOCKET**

(71) Applicant: **Xinglu Mei**, Jurong (CN)

(72) Inventor: **Xinglu Mei**, Jurong (CN)

(**) Term: **15 Years**

(21) Appl. No.: **29/800,213**

(22) Filed: **Jul. 20, 2021**

(51) **LOC (13) Cl.** **13-03**

(52) **U.S. Cl.**
USPC **D13/137.1**

(58) **Field of Classification Search**
USPC D13/137.1-137.2, 139.1, 139.8, 160, 133
CPC H01R 13/6215; H01R 13/6205
See application file for complete search history.

(56) **References Cited**

U.S. PATENT DOCUMENTS

D357,460 S *	4/1995	Lovett	D13/139.1
D361,315 S *	8/1995	Wedell	D13/160
D367,037 S *	2/1996	Fladung	D13/137.2
D367,038 S *	2/1996	Fladung	D13/137.2
D370,459 S *	6/1996	Boesel	D13/137.2
D442,916 S *	5/2001	Tong	D13/137.2
D564,965 S *	3/2008	Martinez	D13/137.2
D682,215 S *	5/2013	Miller	D13/139.8
D807,828 S *	1/2018	Xu	D13/137.2
D814,420 S *	4/2018	Chen	D13/137.2

D845,900 S	4/2019	Liu	
D894,837 S	9/2020	Chen	
D924,154 S *	7/2021	Dykas D13/133
D924,808 S *	7/2021	Bao D13/137.2
D944,741 S *	3/2022	Chen D13/137.2
D946,532 S *	3/2022	Fu D13/137.2
D947,775 S *	4/2022	Rajasekaran D13/137.2
D951,197 S *	5/2022	Chen D13/137.2
2004/0121648 A1 *	6/2004	Voros H01R 13/6215 439/535
2015/0295438 A1 *	10/2015	Herr H01R 13/6205 320/111

* cited by examiner

Primary Examiner — Rhea Shields

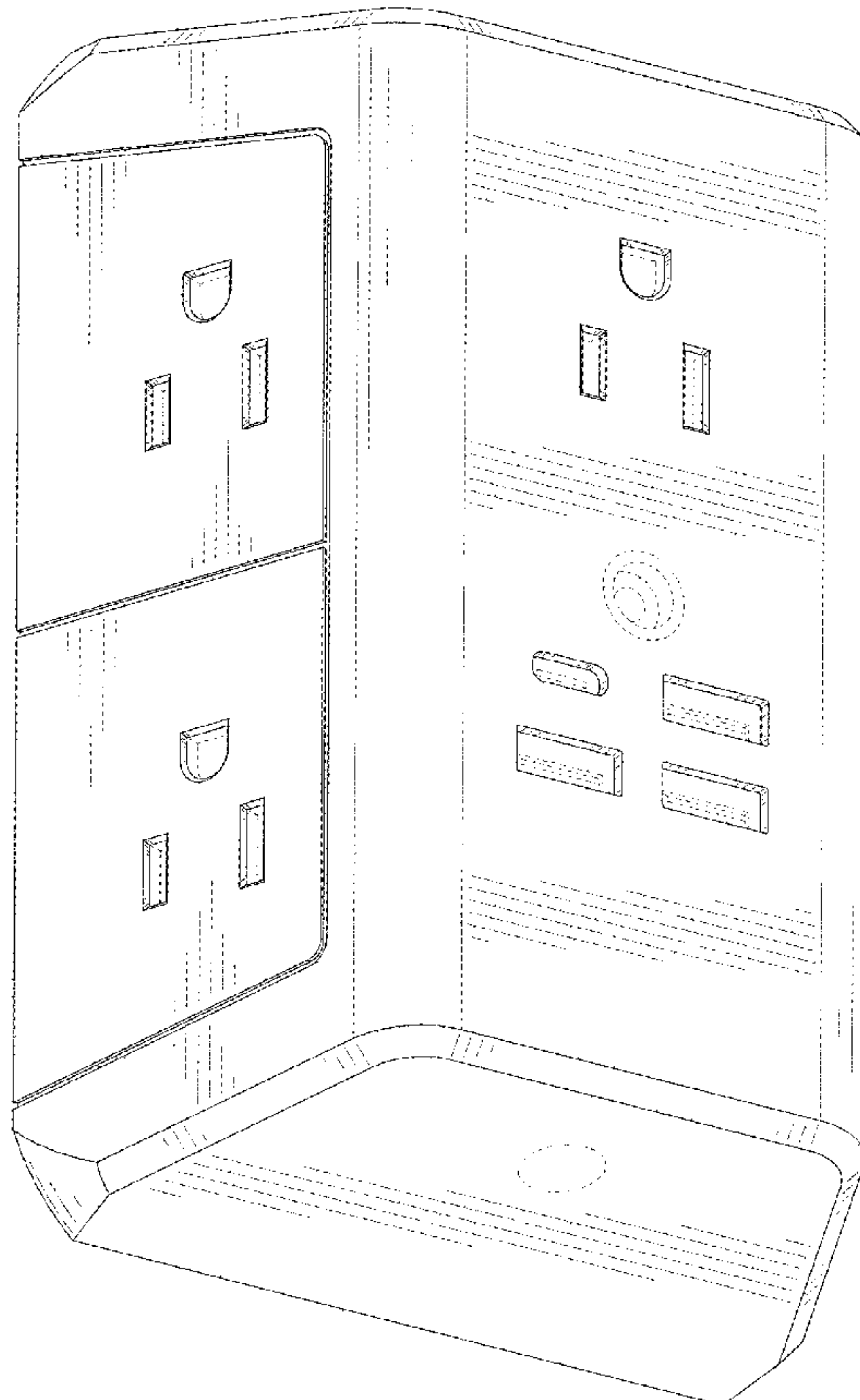
(57) **CLAIM**

The ornamental design for a socket, as shown and described.

DESCRIPTION

FIG. 1 is a perspective view of a socket showing my new design;
 FIG. 2 is another perspective view thereof;
 FIG. 3 is a front elevational view thereof;
 FIG. 4 is a rear elevational view thereof;
 FIG. 5 is a left side elevational view thereof;
 FIG. 6 is a right side elevational view thereof;
 FIG. 7 is a top plan view thereof; and,
 FIG. 8 is a bottom plan view thereof.
 The broken lines in the drawings depict portions of the socket that form no part of the claimed design.

1 Claim, 8 Drawing Sheets



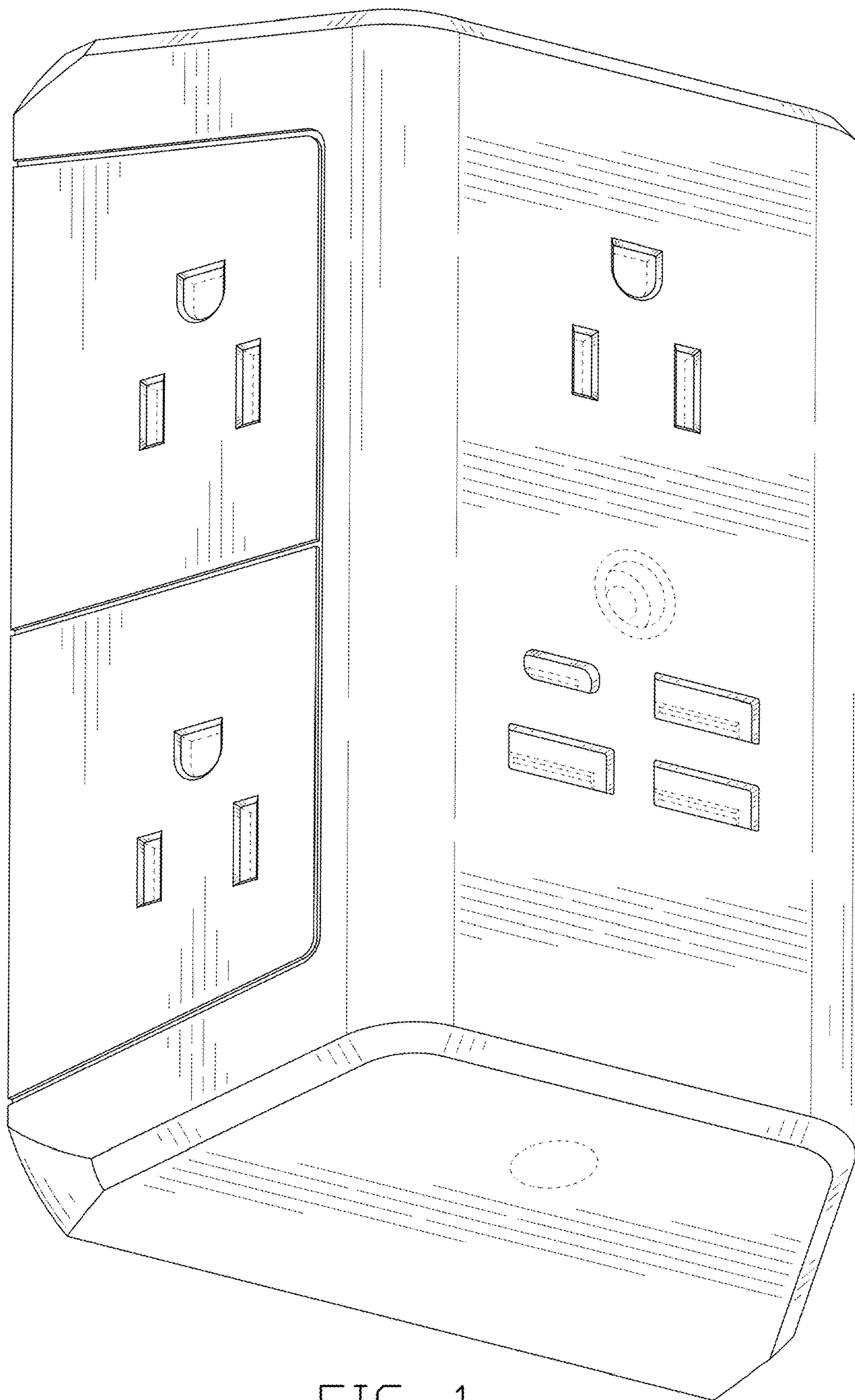


FIG. 1

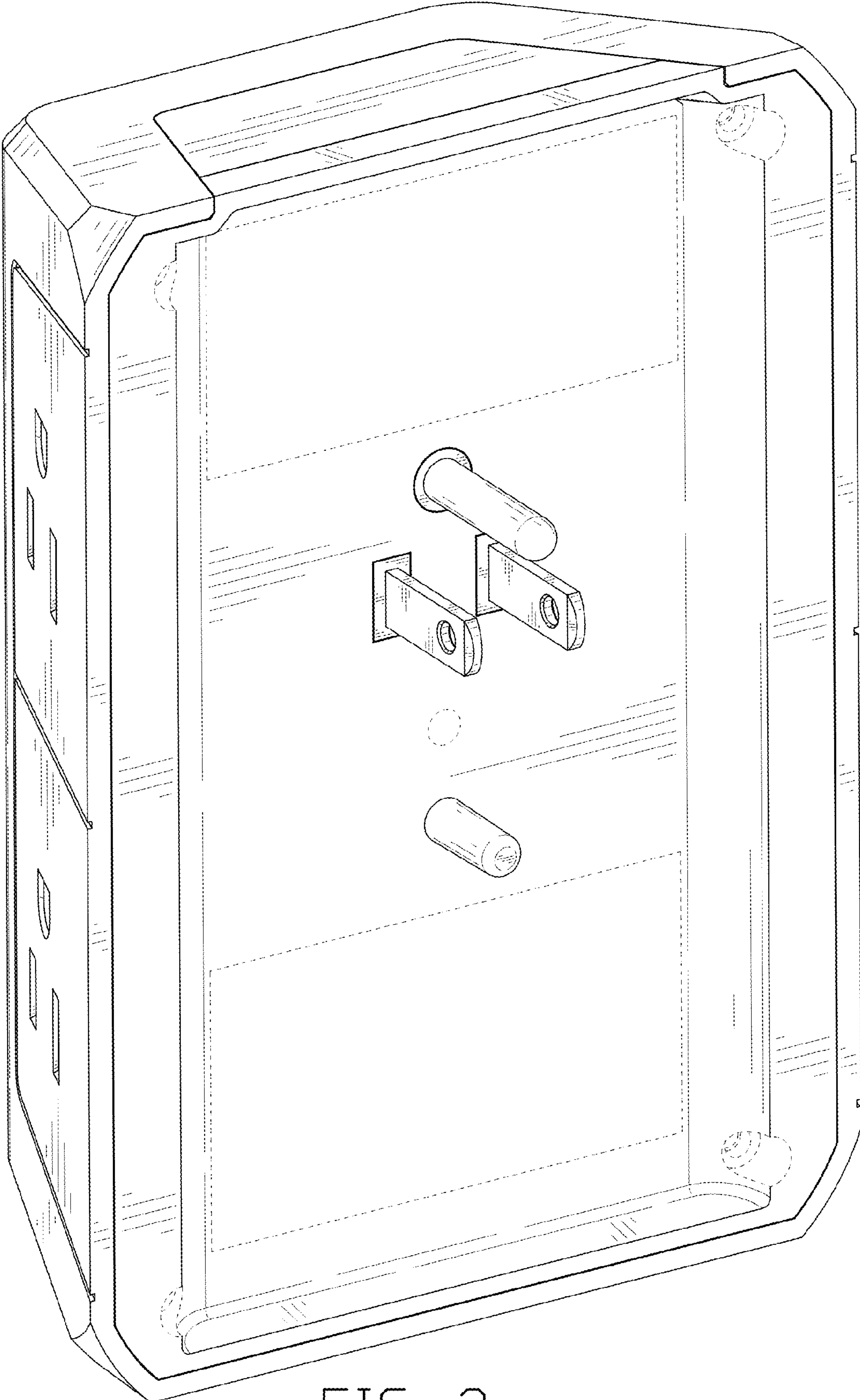


FIG. 2

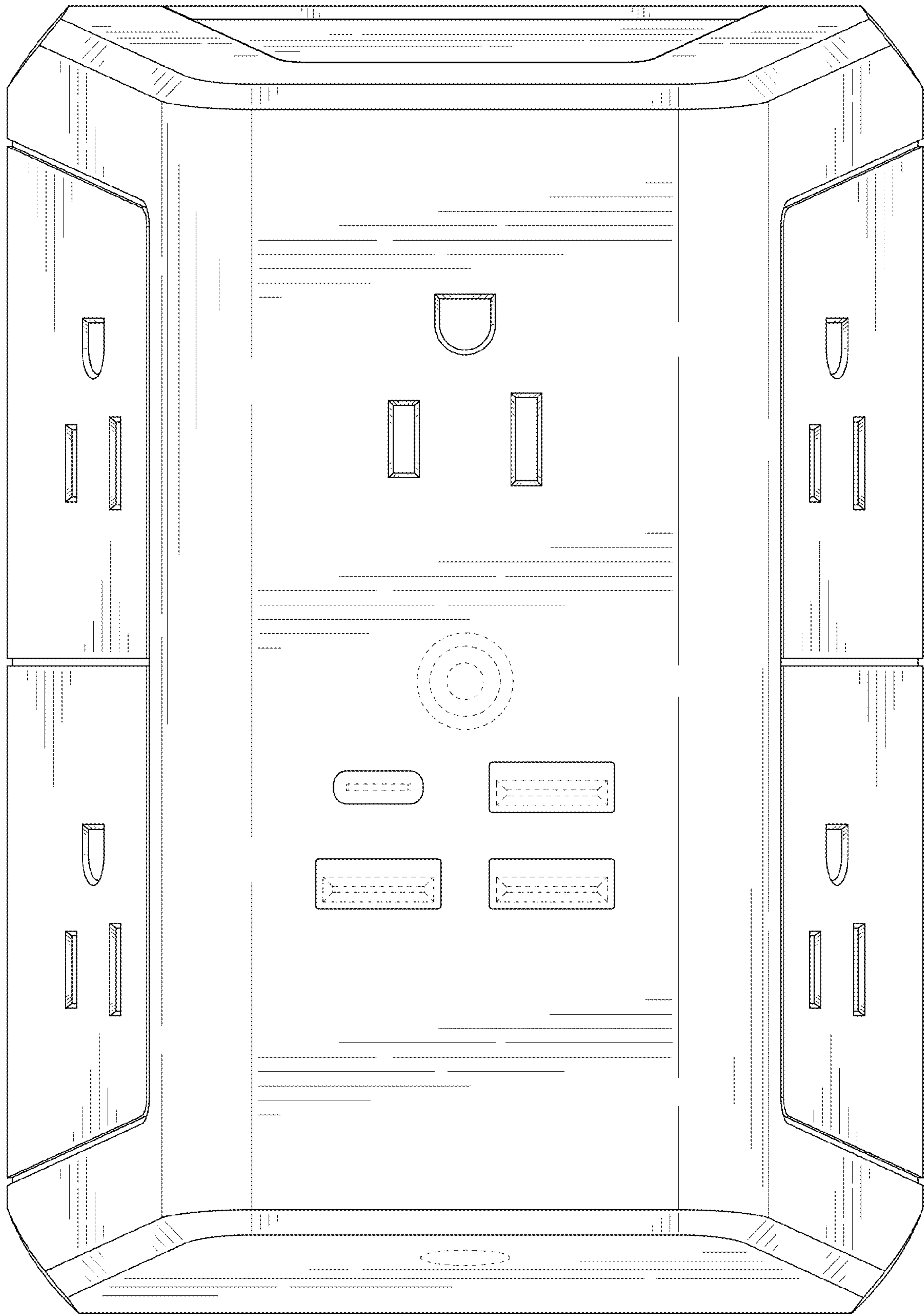


FIG. 3

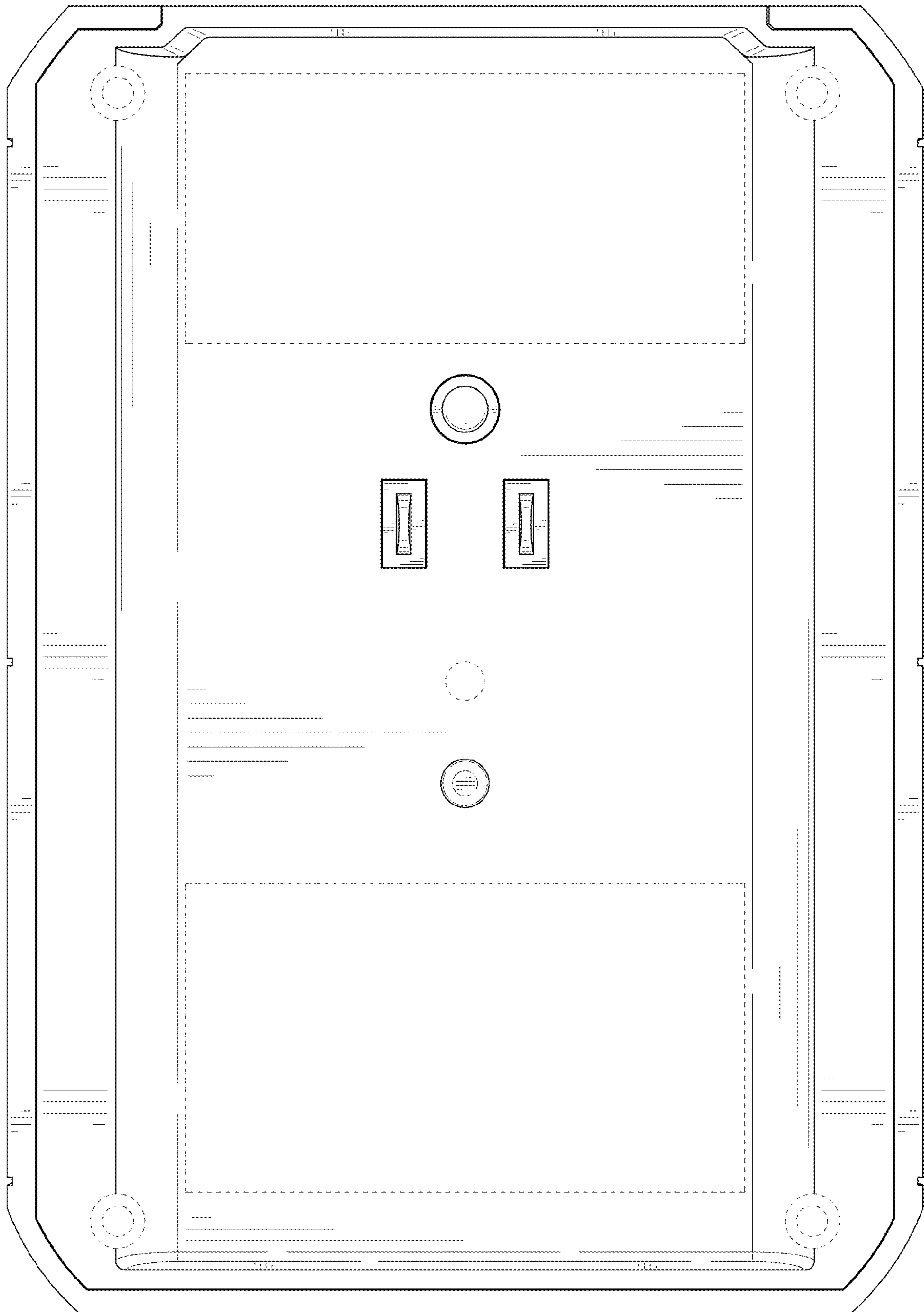


FIG. 4

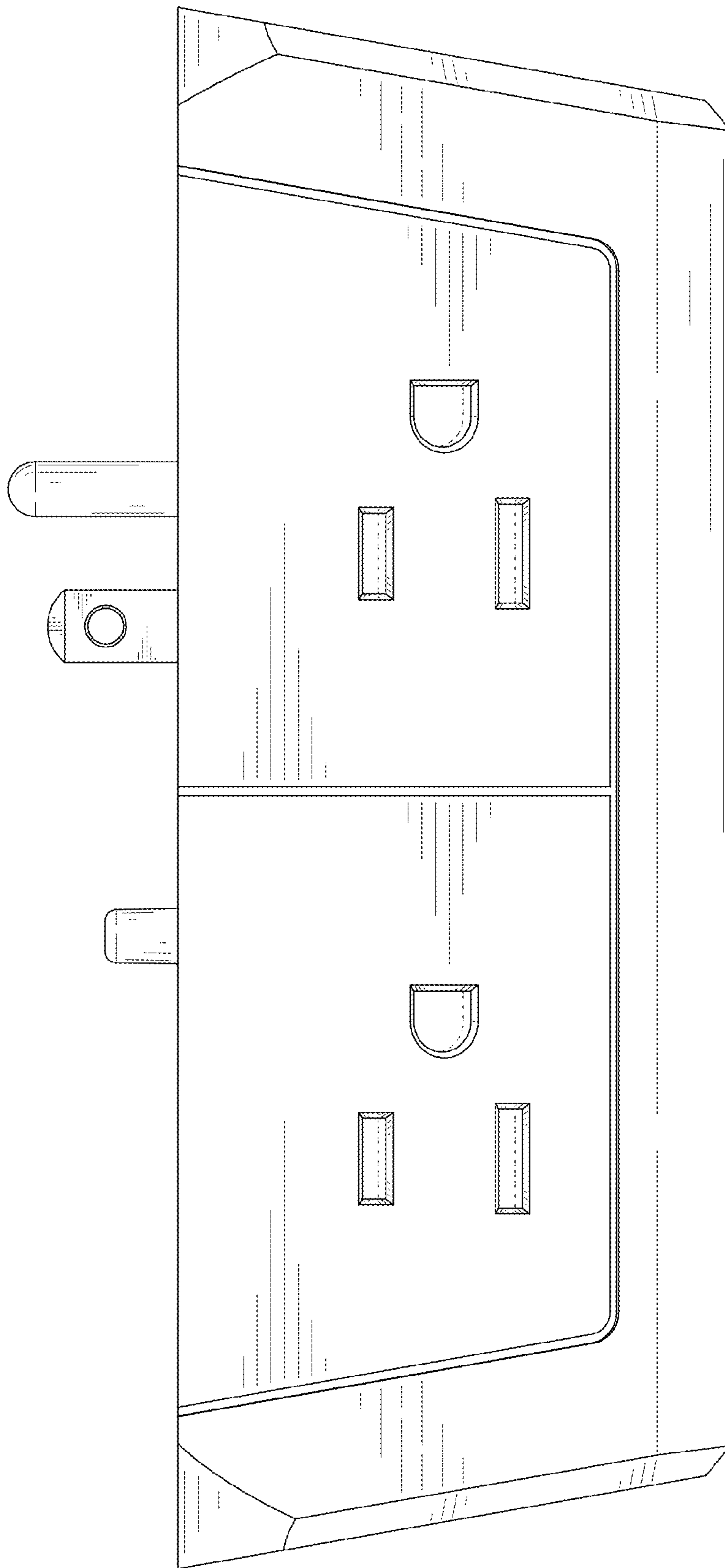


FIG. 5

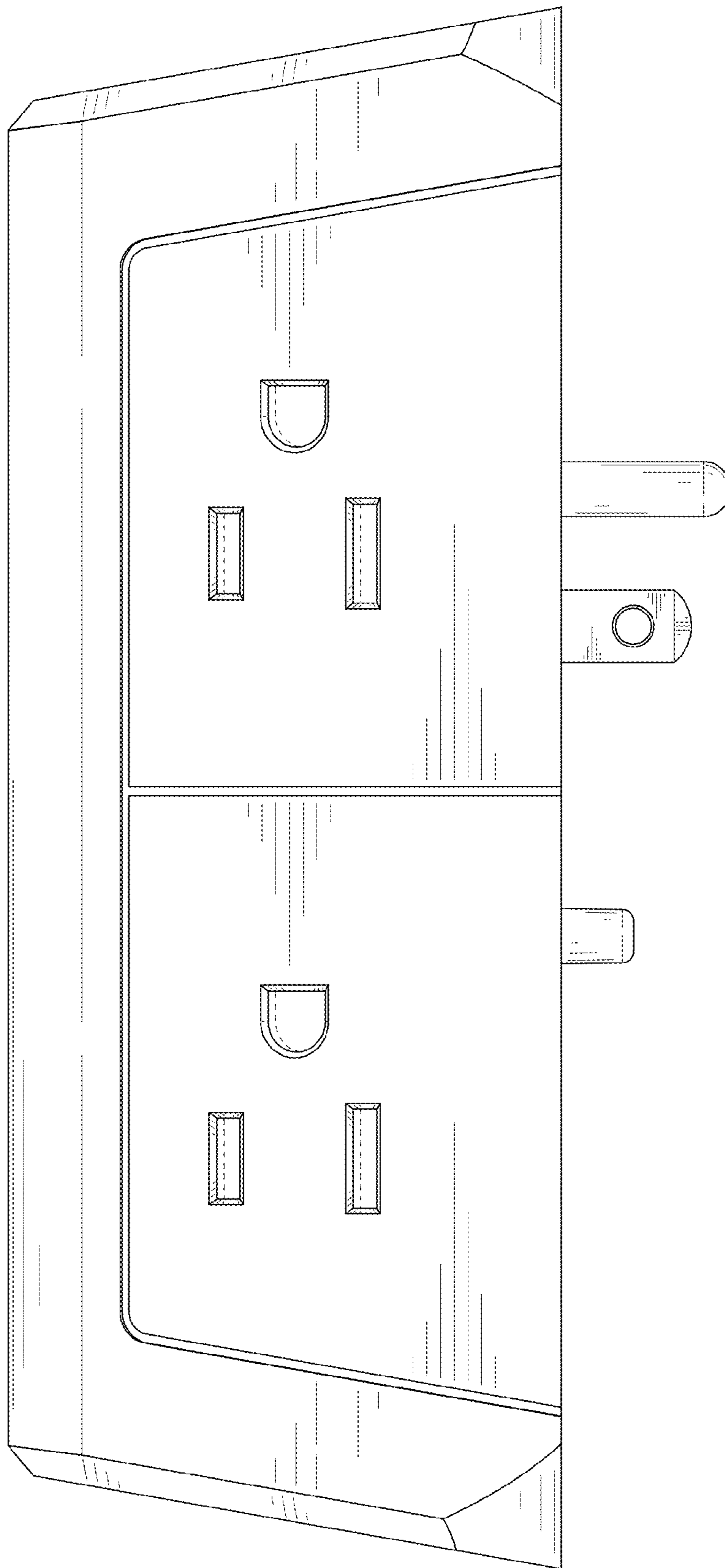


FIG. 6

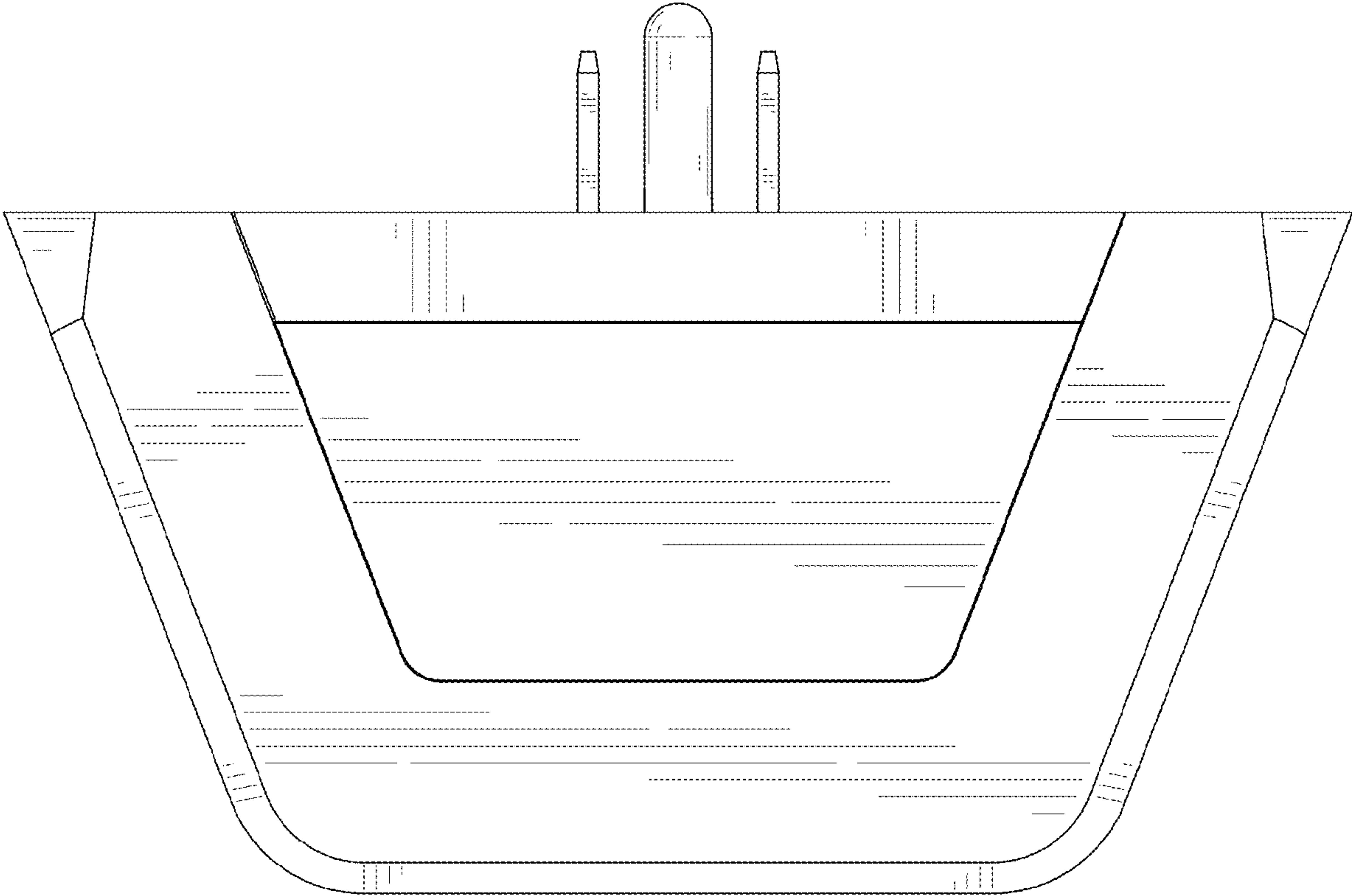


FIG. 7

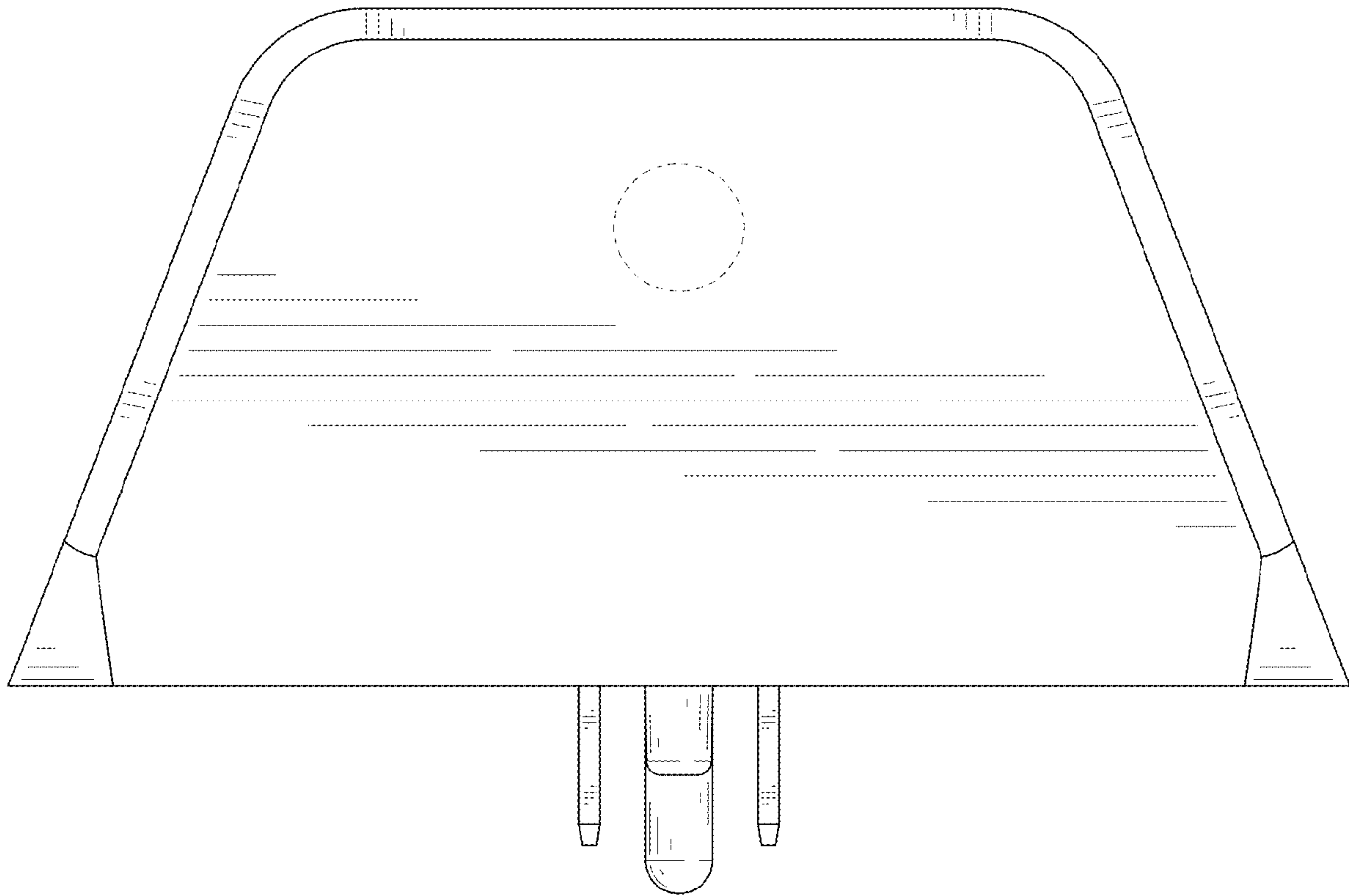


FIG. 8